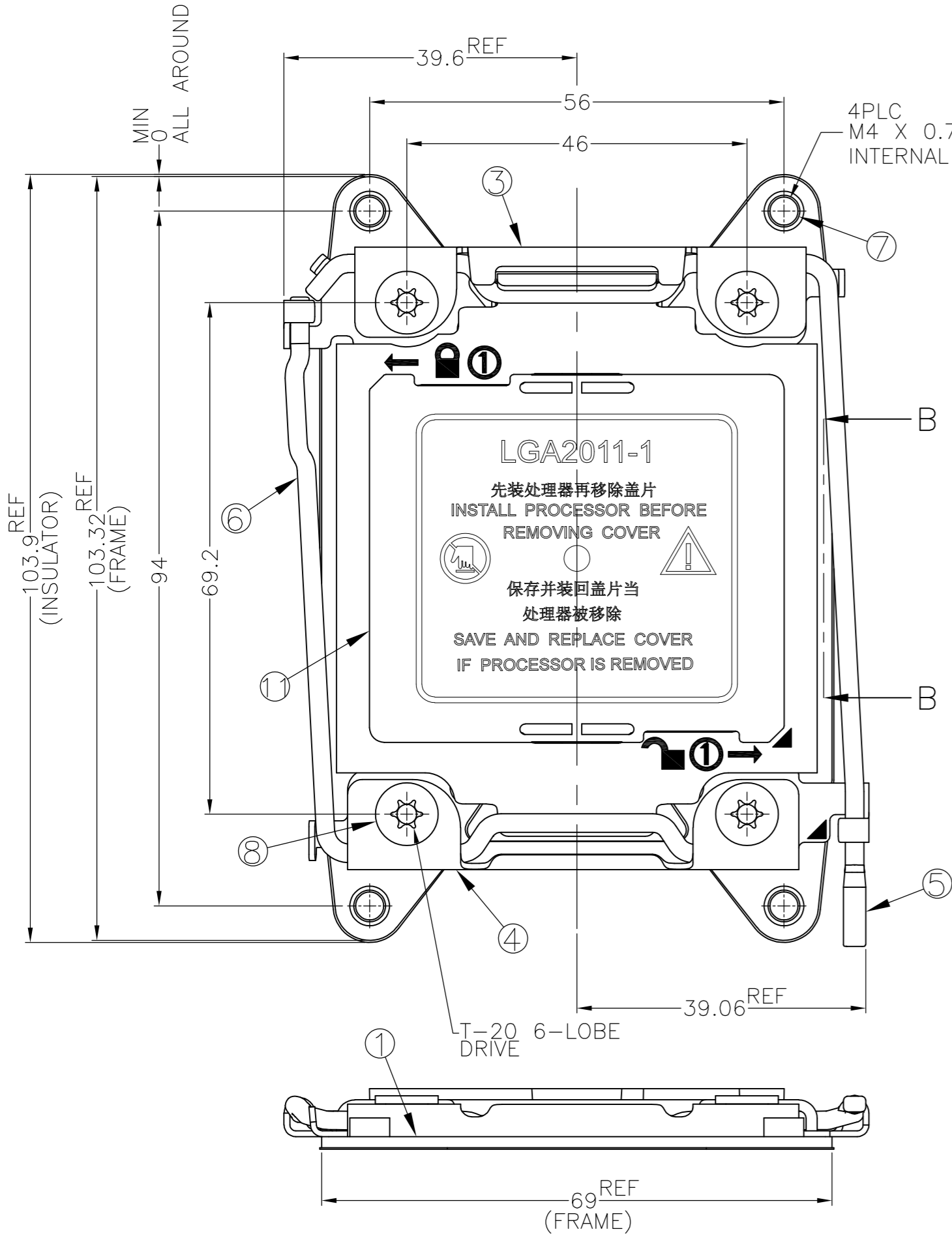
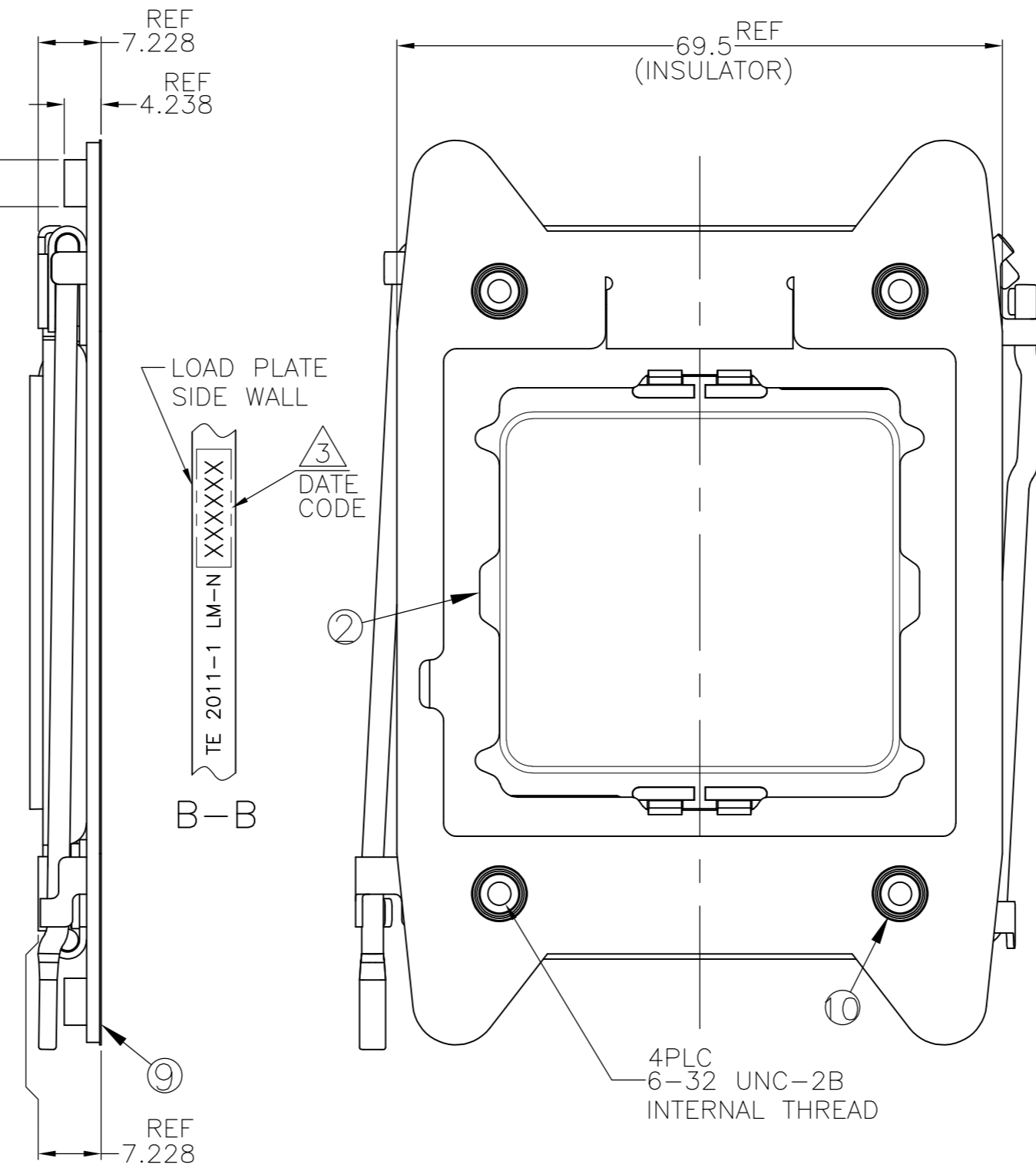


Loc	DIST	REVISIONS					
		P	LTR	DESCRIPTION	DATE	DWN	APVD
J	-	A		RELEASED	20MAR'13	J.C	T.N



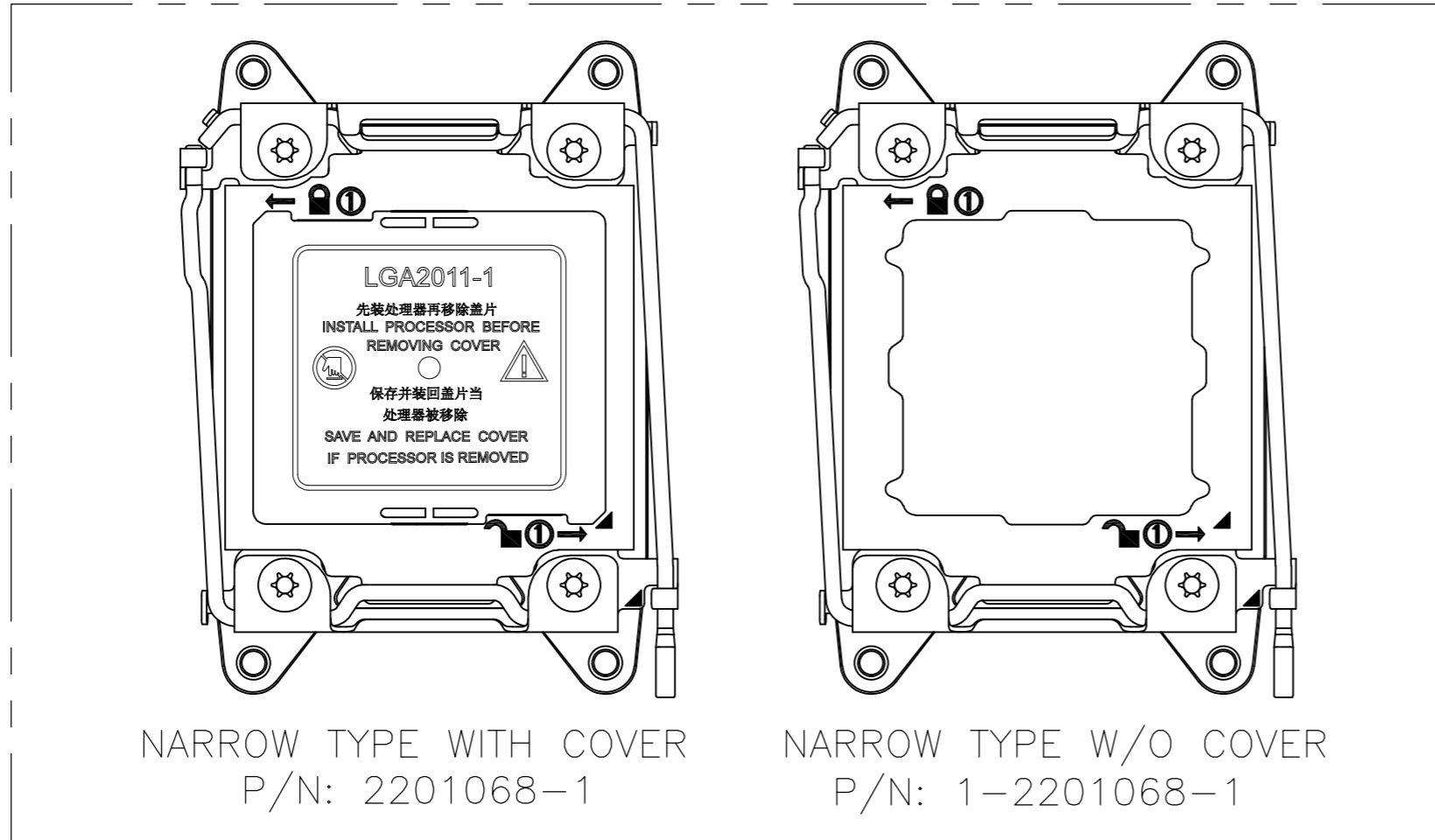
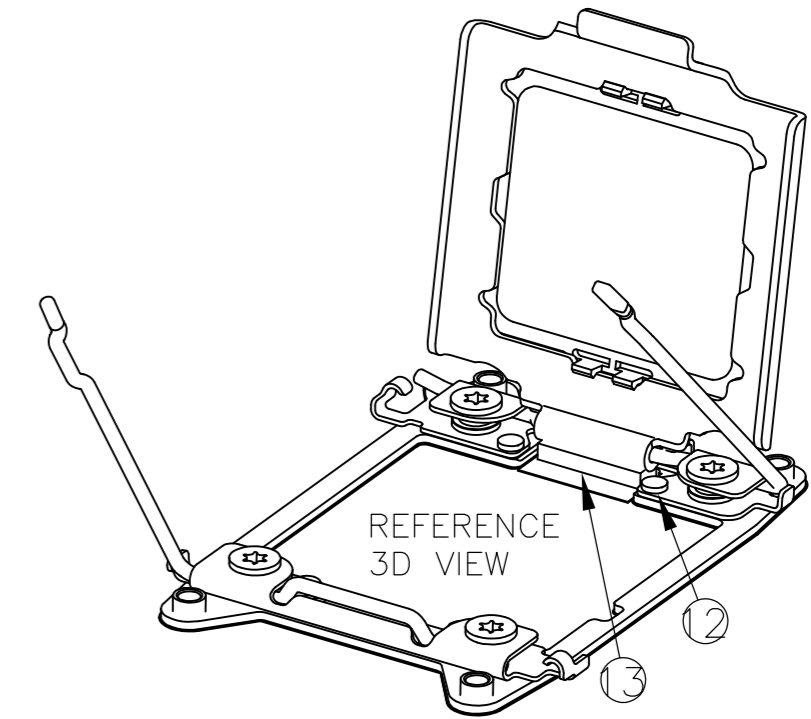
P/N: 2201068-1 AS SHOWN (NARROW TYPE WITH COVER)



1. MATERIAL

- ① FRAME: STAINLESS STEEL
- ② LOAD PLATE: STAINLESS STEEL
- ③ HINGE CLEVIS: STAINLESS STEEL
- ④ ACTIVE CLEVIS: STAINLESS STEEL
- ⑤ HINGE LEVER: STAINLESS STEEL, 2.5 DIA
- ⑥ ACTIVE LEVER: STAINLESS STEEL, 2.5 DIA
- ⑦ HS STUD: STAINLESS STEEL
- ⑧ CAPTIVE NUT: CARBON STEEL, FINISH: NI PLATING
- ⑨ INSULATOR: POLYCARBONATE FILM PLUS ACRYLIC ADHESIVE LAYER
- ⑩ CAPTIVE NUT COLLAR: CARBON STEEL, FINISH: NI PLATING
- ⑪ DUST COVER: THERMO-PLASTIC, UL94V-0, BLACK
- ⑫ RIVET: STAINLESS STEEL
- ⑬ GASKET: LOW COMPRESSION SET SPONGE RUBBER

- 2. APPLICABLE SOCKET P/N: 2174988 SERIES
- ③ INDICATED DATE CODE ON THE LOAD PLATE
- ④ DO NOT OPEN WITH FORCE FROM OPEN END

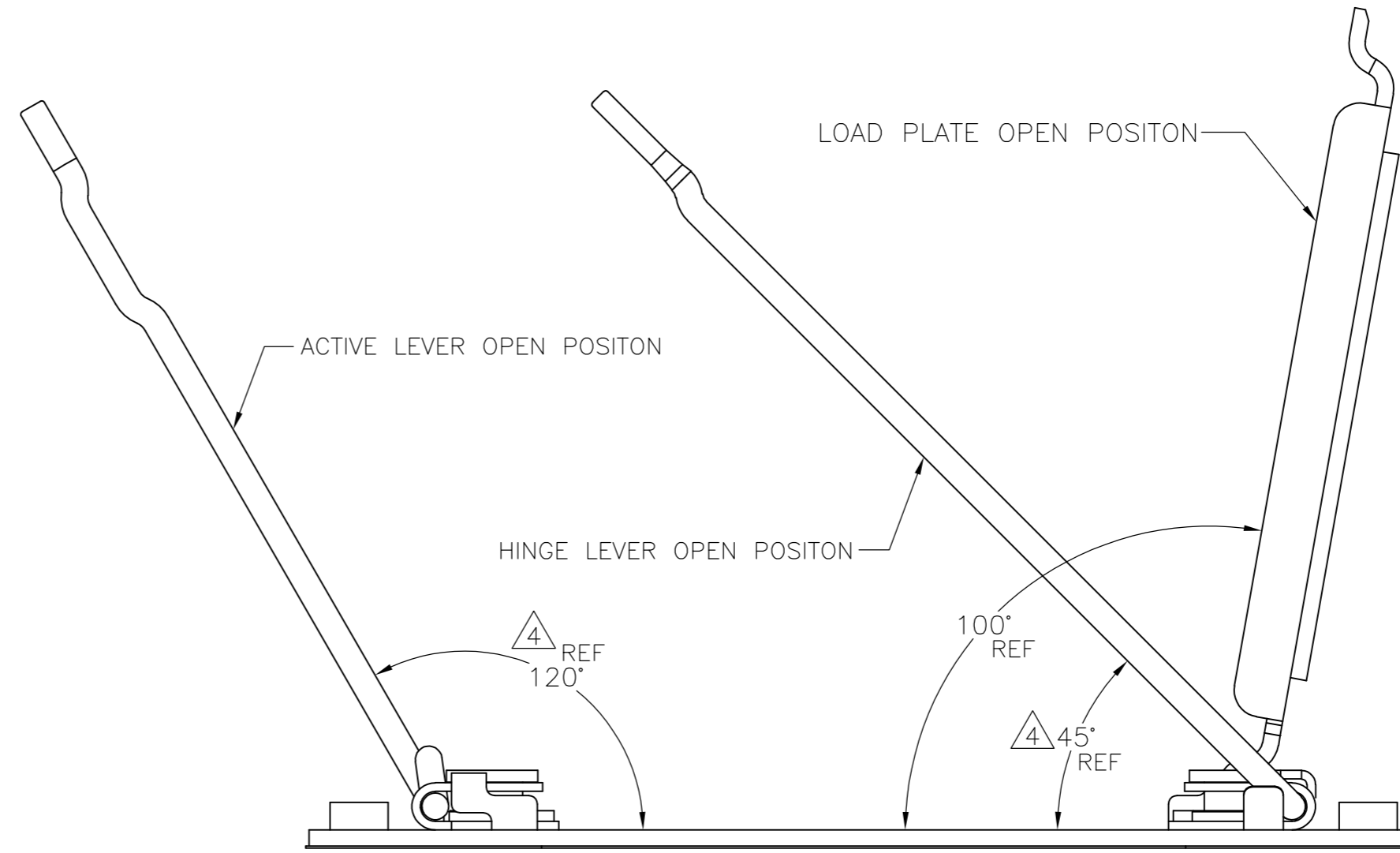


WEIGHT	DESCRIPTION	P/N
83.9g	NARROW TYPE W/O COVER	1-2201068-1
88.2g	NARROW TYPE WITH COVER	2201068-1

THIS DRAWING IS A CONTROLLED DOCUMENT.		DWN	20MAR2013	TE Connectivity	
DIMENSIONS: 单位: 毫米 mm		CHK	20MAR2013		
TOLERANCES UNLESS OTHERWISE SPECIFIED: 一般公差		APVD	20MAR2013	NAME 名称 ILM ASSY LGA2011-1	
6-PLC ± ± ± 0.3		T.NAKASHIMA			
1-PLC ± ± ± 0.3		PRODUCT SPEC 製品规格		SIZE CAGE CODE DRAWING NO 番号 A2 00779 C=2201068	
2-PLC ± ± ± 0.3		APPLICATION SPEC 取付适用规格			
3-PLC ± ± ± 0.3		MATERIAL 材料		RESTRICTED TO	
4-PLC ± ± ± 0.3		FINISH 仕上		-	
ANGLES		WEIGHT		-	
		SEE TABLE		-	
		CUSTOMER DRAWING		SCALE 尺度 NTS SHEET 1 of 2 REV A	

THIS DRAWING IS UNPUBLISHED. RELEASED FOR PUBLICATION APR , 2011.
 © COPYRIGHT 2011 By Tyco Electronics Japan G.K. ALL RIGHTS RESERVED.

LOC	DIST	REVISIONS					
J	-	P	LTR	DESCRIPTION	DATE	DWN	APVD
		-	-	SEE SHEET 1	-	-	-



MAXIMUM OPEN ANGLES
 (2201068-1, 1-2201068-1 AS SHOWN)

2201068

THIS DRAWING IS A CONTROLLED DOCUMENT.		DWN	-	TE TE Connectivity	
DIMENSIONS: 単位: 寸 mm		CHK	-		
TOLERANCES UNLESS OTHERWISE SPECIFIED: 一般公差		APVD	-	NAME 名称	
0-PLC ± ± 0.3		PRODUCT SPEC 製品規格		ILM ASSY	
1-PLC ± ± 3°		APPLICATION SPEC 取付適用規格		LGA2011-1	
2-PLC ± ±		WEIGHT -		SIZE	A2
3-PLC ± ±		CAGE CODE		00779	DRAWING NO 番号
4-PLC ± ±		DRAWING NO 番号		C=2201068	RESTRICTED TO
FINISH 仕上		SCALE 尺度		NTS	SHEET 2 OF 2
MATERIAL 材料		CUSTOMER DRAWING		REV	A

X-ON Electronics

Largest Supplier of Electrical and Electronic Components

Click to view similar products for [Memory Card Connectors](#) category:

Click to view products by [TE Connectivity](#) manufacturer:

Other Similar products are found below :

[M21-033321-005](#) [6426-201-21343](#) [69.920.0553.0](#) [MCR60A-98D-2.54DSA\(70\)](#) [FCN-568P068-G/07-4V](#) [809180410000000](#) [95622-003LF](#)
[DM3AT-SF-PEJM5\(41\)](#) [EN2997S72039F6](#) [N7E50-7516PG-20-WF](#) [IC11S-BUR-PNEJL\(71\)](#) [NX30TA-15PAA\(50\)](#) [NX60TA-25SAA9-](#)
[SP\(50\)](#) [21920-5](#) [2041353-2](#) [FUA006-3220-0](#) [33CFAE-DN](#) [MI21A-50PD-SF-EJR\(91\)](#) [502431-1011](#) [5175651-2](#) [10-247926-166](#)
[EN2997S02039B8](#) [EN2997S61212BN](#) [EN2997S72039B6](#) [EN2997SE02039B8](#) [EN2997SE61212BN](#) [EN2997SE72039B6](#) [NX1-32T-](#)
[KT3K\(05\)](#) [95622-003LF](#) [91-570124-15P](#) [192900-0488](#) [DM1AA-SF-PEJ](#) [95079-00CALF](#) [84648-056HLF](#) [68-580163-21S](#) [33DVIR-29S12R](#)
[SF58S006VBBR2000](#) [93-570123-08P](#) [GMC020080HR](#) [125A-78C00](#) [1010040575#](#) [MI20A-50PD-SF-EJL\(71\)](#) [KP10S-SF-PEJ\(812\)](#)
[DM1AA-SF-PEJ\(31\)](#) [FO-10GGBLCX20-002](#) [504536-0691](#) [115S-ACA2](#) [115S-ACA3](#) [115S-BS00](#) [115S-BT00](#)