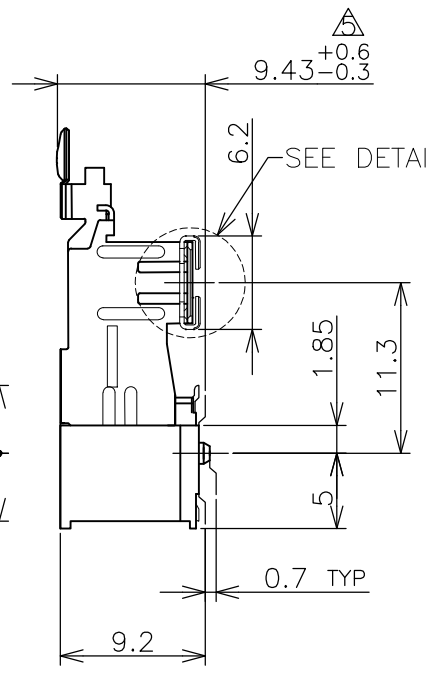
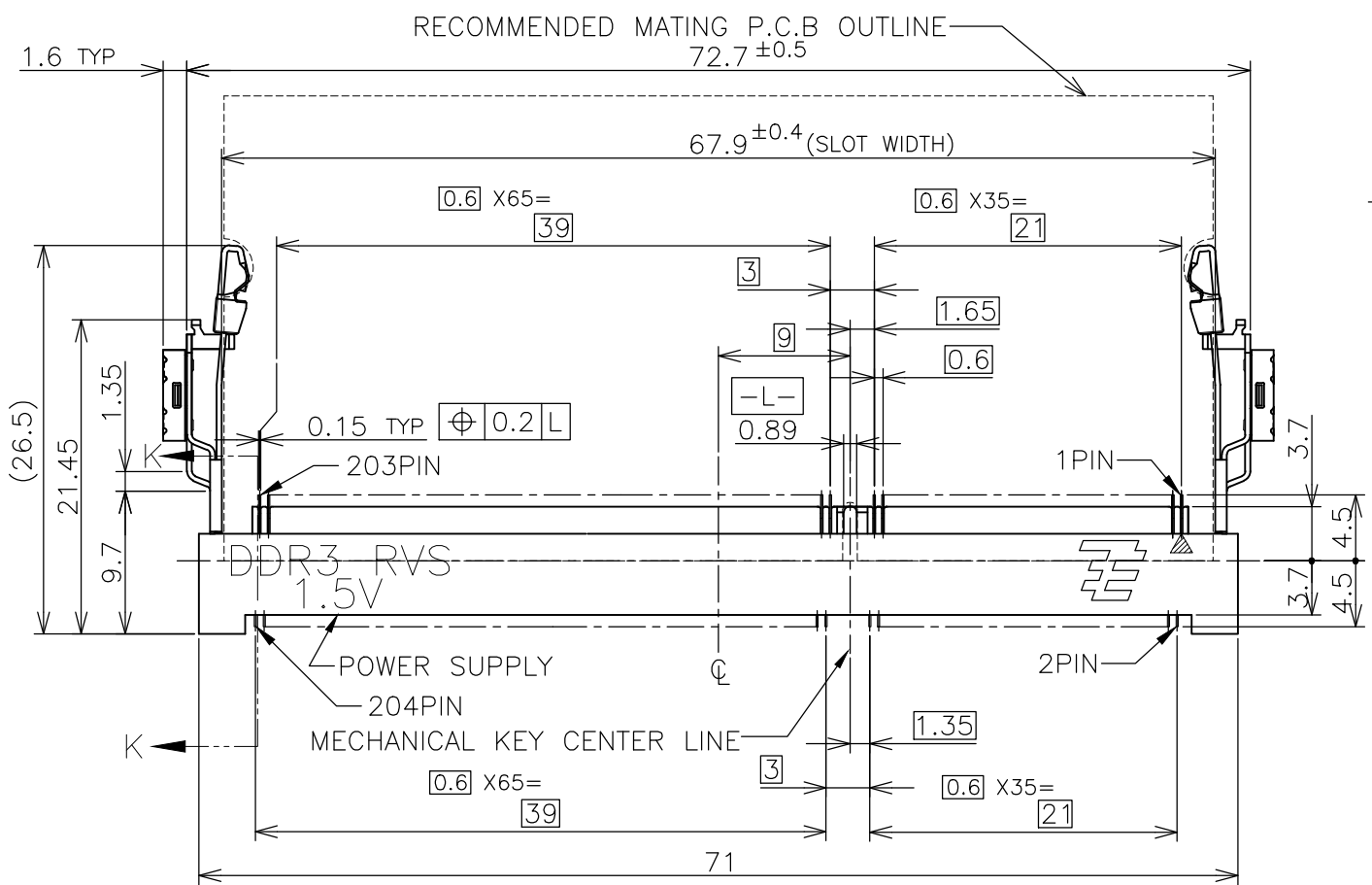
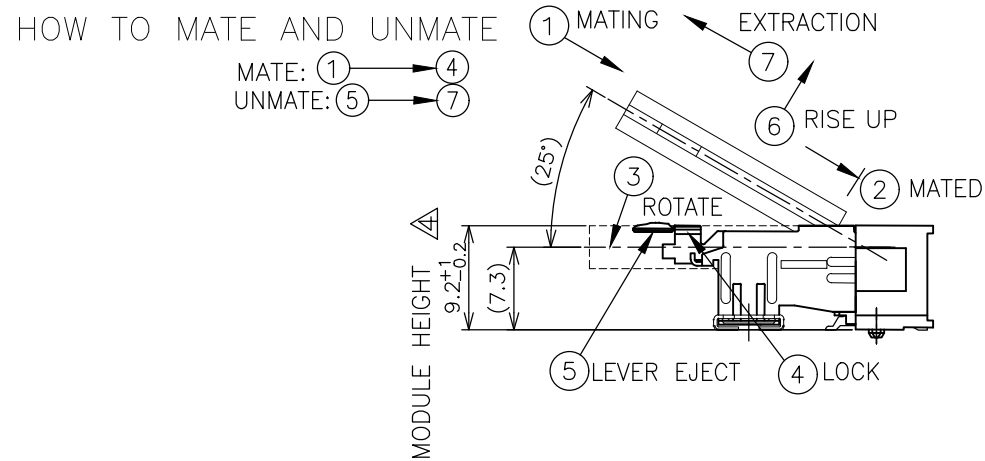
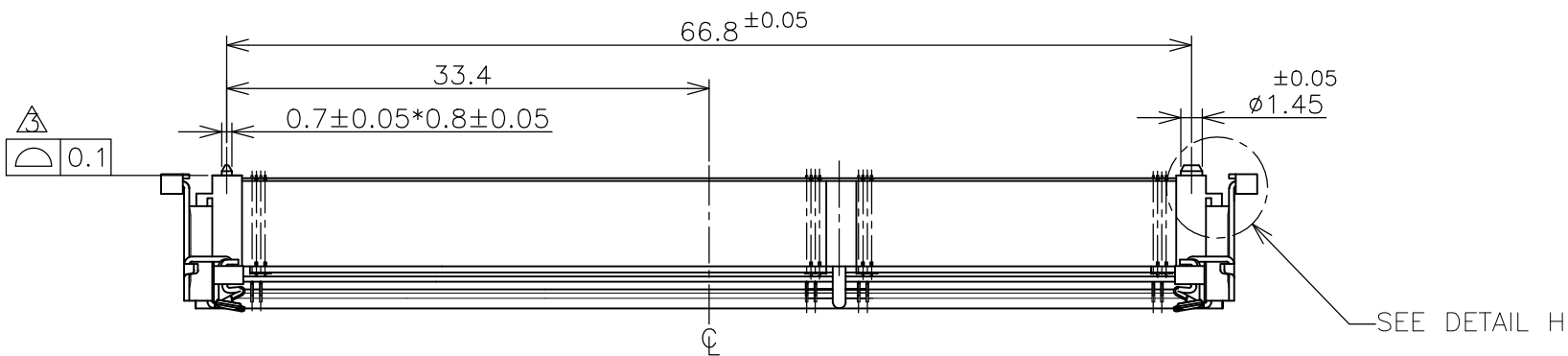
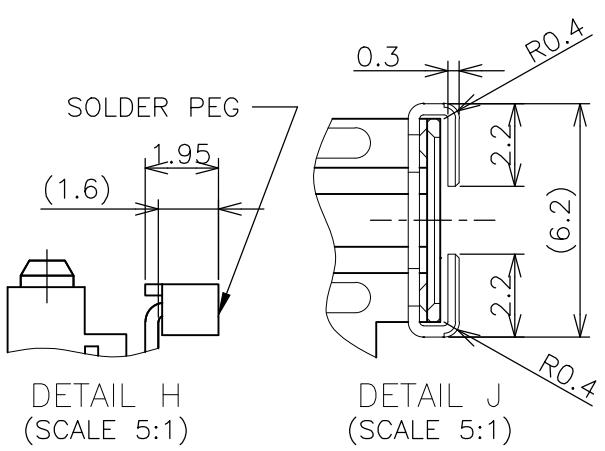
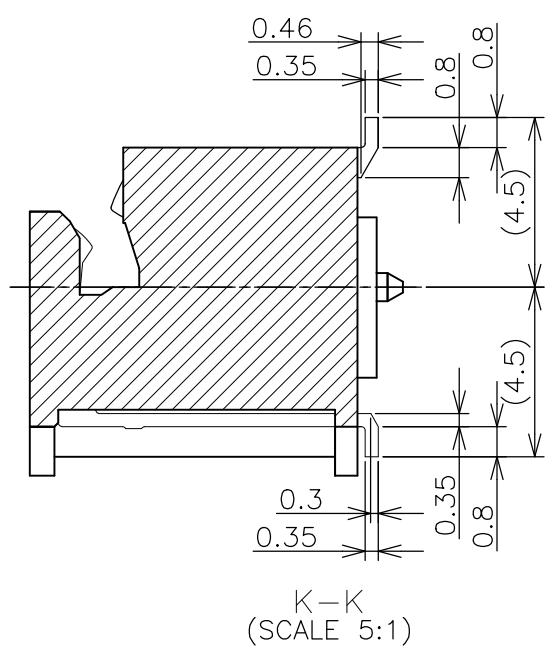


THIS DRAWING IS UNPUBLISHED. RELEASED FOR PUBLICATION . SEP 2007
 © COPYRIGHT 2007 By - ALL RIGHTS RESERVED.

| LOC | DIST | REVISIONS | | | |
|-----|------|-------------|---------------------------|-----------|------------|
| P | LTR | DESCRIPTION | DATE | DWN | APVD |
| J | / | D1 | REVISED PER ECR-20-005200 | 08APR2020 | D.Z S.L |



1. MATERIAL ; HOUSING: HIGH TEMPERATURE THERMO PLASTIC UL94V-0
 COLOR: SEE TABLE
 CONTACT: COPPER ARROY
 LOCK LEVER: STAINLESS STEEL
 PEG: COPPER ARROY
- 2-1. FINISH ; CONTACT AREA: GOLD FLASH
 ALL OVER NICKEL.
 SOLDERING AREA: GOLD FLASH PLATING
 PEG: TIN PLATING.
- 2-2. FINISH ; CONTACT AREA: 0.000254MIN GOLD
 ALL OVER NICKEL.
 SOLDERING AREA: GOLD FLASH PLATING
 PEG: TIN PLATING.
- 2-3. FINISH ; CONTACT AREA: 0.00076MIN GOLD
 ALL OVER NICKEL.
 SOLDERING AREA: GOLD FLASH PLATING
 PEG: TIN PLATING.
- △ COPLANARITY: 0.1 MAX. (BEFORE SOLDERING)
 ▲ THE FLOATING VALUE BY SOLDERING IS NOT INCLUDED.
 △ NOT MATING CONDITION.
6. IF THE MODULE DOESN'T INSERT AND LOCK IN THE LATCH SMOOTHLY,
 OPEN WIDE BOTH LATCHES BY MANUAL. AND THE MODULE MUST BE
 INSERTED AND LOCKED IN THE LATCH.



GENERAL TOLERANCE
 10 ≥ : ±0.2
 30 ≥ > 10 : ±0.25
 100 ≥ > 30 : ±0.3
 ANGLES : ±3°

| | | | | |
|--|--|--------------------------|----------------------------|-----------------|
| THIS DRAWING IS A CONTROLLED DOCUMENT. | | DWN T.FUMIKURA 18SEP2007 | STE TE Connectivity | |
| DIMENSIONS: MM | | CHK K.IKEGAMI 18SEP2007 | | |
| TOLERANCES UNLESS OTHERWISE SPECIFIED: | | APVD K.IKEGAMI 18SEP2007 | NAME | |
| 0 PLC ± | | PRODUCT SPEC | DDR3 SODIMM SOCKET | |
| 1 PLC ± | | 108-78493 | 0.6mm PITCH 204POS | |
| 2 PLC ± | | APPLICATION SPEC | 9.2mm HEIGHT REVERSE TYPE | |
| 3 PLC ± | | WEIGHT 6.2g | SIZE A3 | CAGE CODE 00779 |
| 4 PLC ± | | CUSTOMER DRAWING | DRAWING NO C-2013311 | RESTRICTED TO |
| ANGLES ± | | | SCALE 2:1 | SHEET 1 OF 6 |
| FINISH ± | | | | REV D1 |

THIS DRAWING IS UNPUBLISHED. RELEASED FOR PUBLICATION .SEP 2007
 © COPYRIGHT 2007 By - ALL RIGHTS RESERVED.

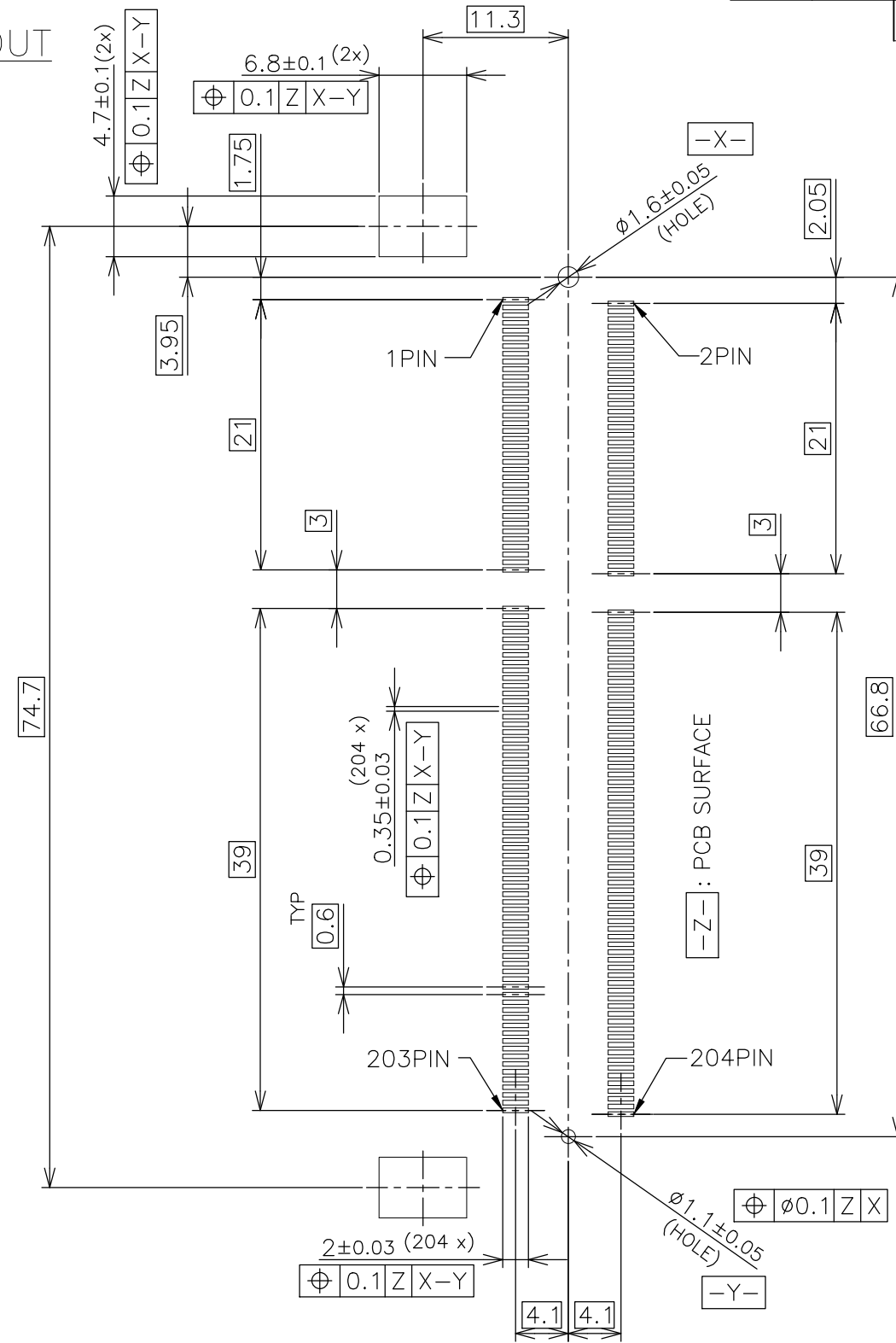
| LOC | DIST | REVISIONS | | | | | |
|-----|------|-----------|-----|-------------|------|-----|------|
| | | P | LTR | DESCRIPTION | DATE | DWN | APVD |
| J | - | - | - | SEE SHEET 1 | - | - | - |

| TOOLING STATUS | PACKAGING TYPE | REMARK | HOUSING COLOR | FINISH | POWER SUPPLY | POS | PART NO. |
|----------------|------------------------------|-----------|---------------|----------|--------------|-----|-------------|
| AVAILABLE | SEMI-HARD TRAY (SEE SHEET 5) | WITH BOSS | BLACK | NOTE 2-3 | 1.5V | 204 | 4-2013311-3 |
| AVAILABLE | ENBOSS (SEE SHEET 6) | WITHBOSS | BLACK | NOTE 2-3 | 1.5V | 204 | 2-2013311-3 |
| AVAILABLE | ENBOSS (SEE SHEET 6) | WITHBOSS | BLACK | NOTE 2-2 | 1.5V | 204 | 2-2013311-2 |
| AVAILABLE | ENBOSS (SEE SHEET 6) | WITHBOSS | BLACK | NOTE 2-1 | 1.5V | 204 | 2-2013311-1 |
| AVAILABLE | SEMI-HARD TRAY (SEE SHEET 5) | WITH BOSS | BLACK | NOTE 2-3 | 1.5V | 204 | 2013311-3 |
| AVAILABLE | SEMI-HARD TRAY (SEE SHEET 5) | WITH BOSS | BLACK | NOTE 2-2 | 1.5V | 204 | 2013311-2 |
| AVAILABLE | SEMI-HARD TRAY (SEE SHEET 5) | WITH BOSS | BLACK | NOTE 2-1 | 1.5V | 204 | 2013311-1 |

| | | | | | |
|--|--|------------------|----------------------------|---------------|------------|
| THIS DRAWING IS A CONTROLLED DOCUMENT. | | DWN | STE TE Connectivity | | |
| DIMENSIONS: MM | | CHK | | | |
| TOLERANCES UNLESS OTHERWISE SPECIFIED: | | APVD | NAME | | |
| 0 PLC ± 0.5 | | PRODUCT SPEC | DDR3 SODIMM SOCKET | | |
| 1 PLC ± 0.5 | | APPLICATION SPEC | 0.6mm PITCH 204POS | | |
| 2 PLC ± 0.5 | | WEIGHT | SIZE | CAGE CODE | DRAWING NO |
| 3 PLC ± 0.5 | | CUSTOMER DRAWING | A3 | 00779 | C-2013311 |
| 4 PLC ± 0.5 | | | SCALE | RESTRICTED TO | |
| ANGLES ± 3' | | SCALE | SHEET | | REV |
| MATERIAL | | SCALE 2:1 | SHEET 2 of 6 | | REV D1 |

| LOC | DIST | REVISIONS | | | |
|-----|------|-------------|-------------|-----|------|
| P | LTR | DESCRIPTION | DATE | DWN | APVD |
| J | / | - | SEE SHEET 1 | - | - |

REFERENCE P.C.BOARD PATTERN LAYOUT (CONNECTOR MOUNTING SIDE)



RVS TYPE

| | | | | | | | |
|--|--|---|--|---|-----------|------------|---------------|
| THIS DRAWING IS A CONTROLLED DOCUMENT. | | DWN | | TE Connectivity | | | |
| DIMENSIONS: MM | | CHK | | | | | |
| | | TOLERANCES UNLESS OTHERWISE SPECIFIED: | | NAME | | | |
| | | 0 PLC ± 1 PLC ± 2 PLC ± 3 PLC ± 4 PLC ± ANGLES ± | | DDR3 SODIMM SOCKET 0.6mm PITCH 204POS 9.2mm HEIGHT REVERSE TYPE | | | |
| MATERIAL | | FINISH | | SIZE | CAGE CODE | DRAWING NO | RESTRICTED TO |
| | | | | A3 | 00779 | C-2013311 | - |
| CUSTOMER DRAWING | | | | SCALE | SHEET | REV | |
| | | | | 2:1 | 3 of 6 | D1 | |

4

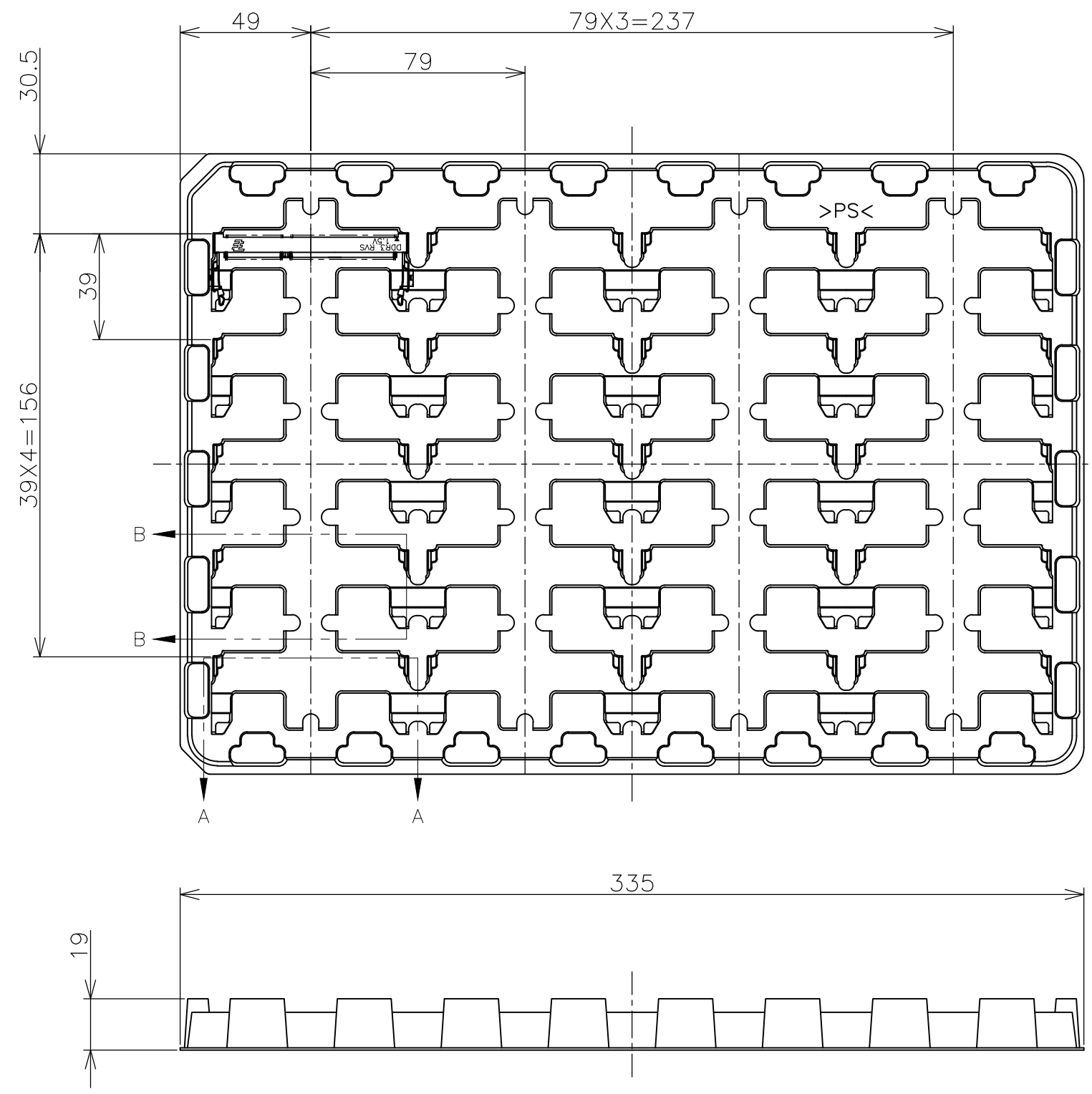
3

2

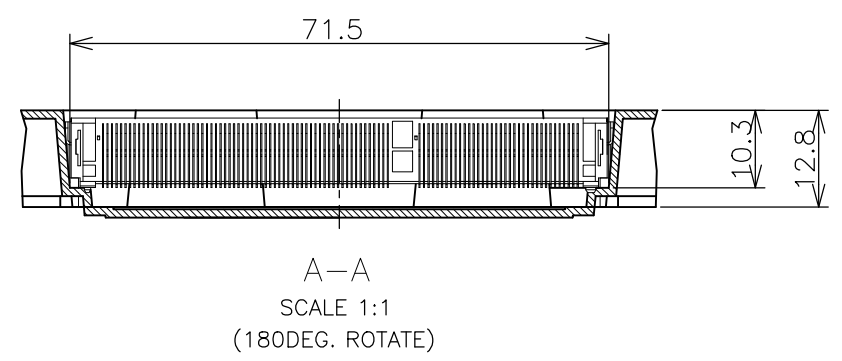
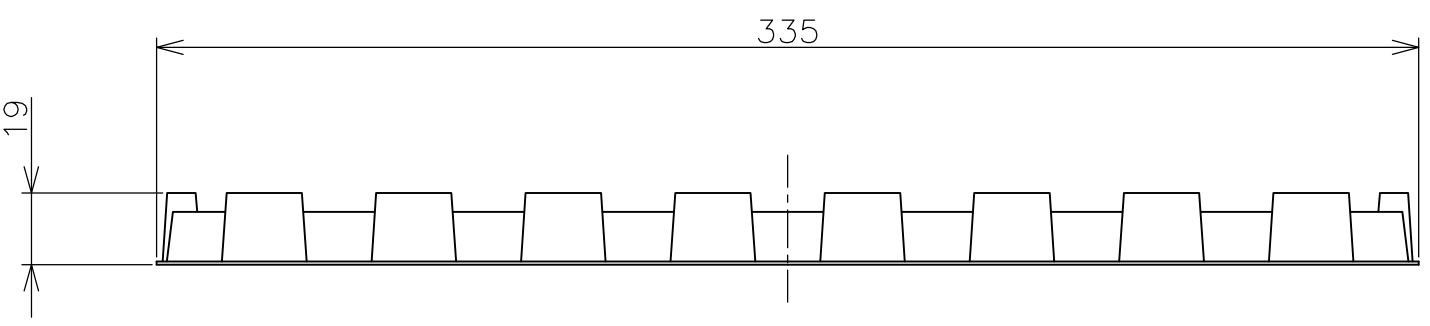
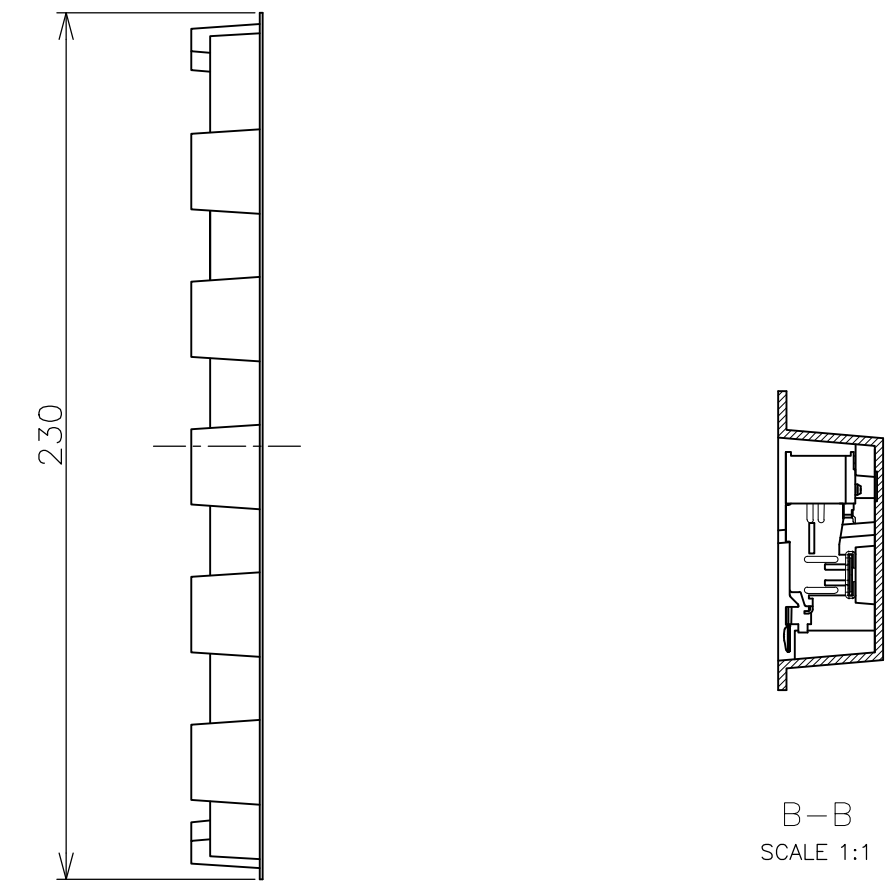
1

THIS DRAWING IS UNPUBLISHED. RELEASED FOR PUBLICATION .SEP 2007
 © COPYRIGHT 2007 By - ALL RIGHTS RESERVED.

| LOC | DIST | REVISIONS | | | |
|-----|------|-------------|------|-----|------|
| P | LTR | DESCRIPTION | DATE | DWN | APVD |
| J | / | SEE SHEET 1 | - | - | - |



(APPLIED TO SHEET 5)
 1. THE DIRECTION OF EACH CONNECTOR ON A TRAY IS REFERRED TO THIS DRAWING.
 2. GENERAL TOLERANCE: ±0.5, ±3°



| | | |
|-----------|-----------|-------------|
| 200EA/BOX | 20EA/TRAY | *-2013311-* |
| QTY/BOX | QTY/TRAY | PART NO. |

| | | | | | |
|--|--|------------------|--|----------------------------|---------------|
| THIS DRAWING IS A CONTROLLED DOCUMENT. | | DWN | | STE TE Connectivity | |
| DIMENSIONS: MM | | CHK | | | |
| TOLERANCES UNLESS OTHERWISE SPECIFIED: | | APVD | | NAME | |
| 0 PLC ± 0.5 | | PRODUCT SPEC | | DDR3 SODIMM SOCKET | |
| 1 PLC ± 0.5 | | APPLICATION SPEC | | 0.6mm PITCH 204POS | |
| 2 PLC ± 0.5 | | WEIGHT | | 9.2mm HEIGHT REVERSE TYPE | |
| 3 PLC ± 0.5 | | CUSTOMER DRAWING | | SIZE | RESTRICTED TO |
| 4 PLC ± 0.5 | | SCALE 1:2 | | A3 | - |
| ANGLES ± 3° | | SHEET 5 of 6 | | 00779 | |
| FINISH | | REV D1 | | C-2013311 | |

4

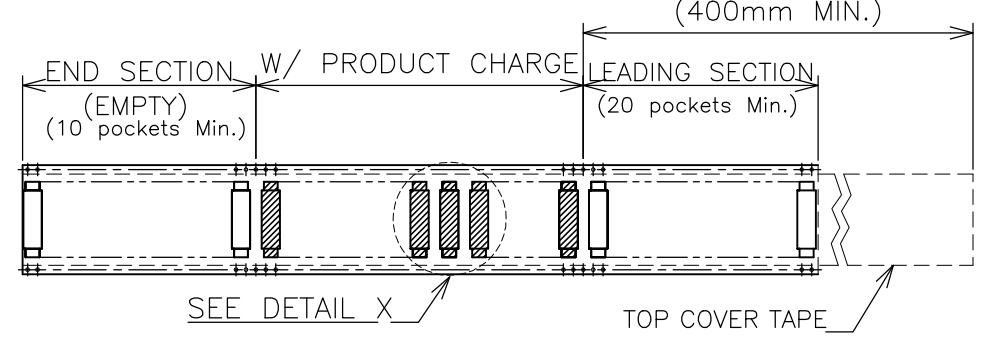
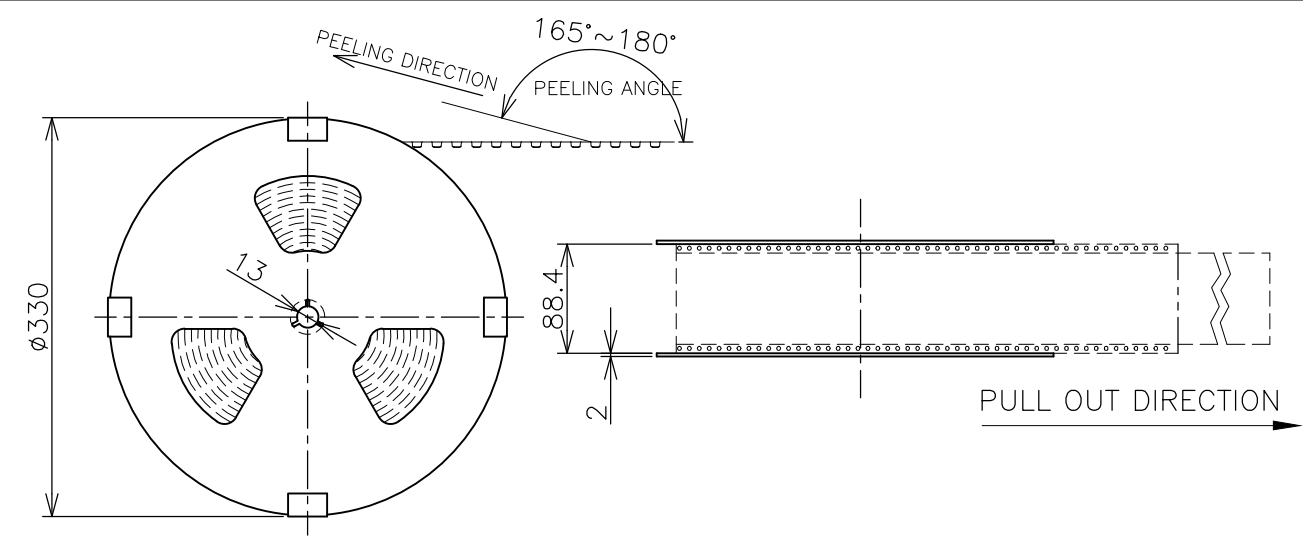
3

2

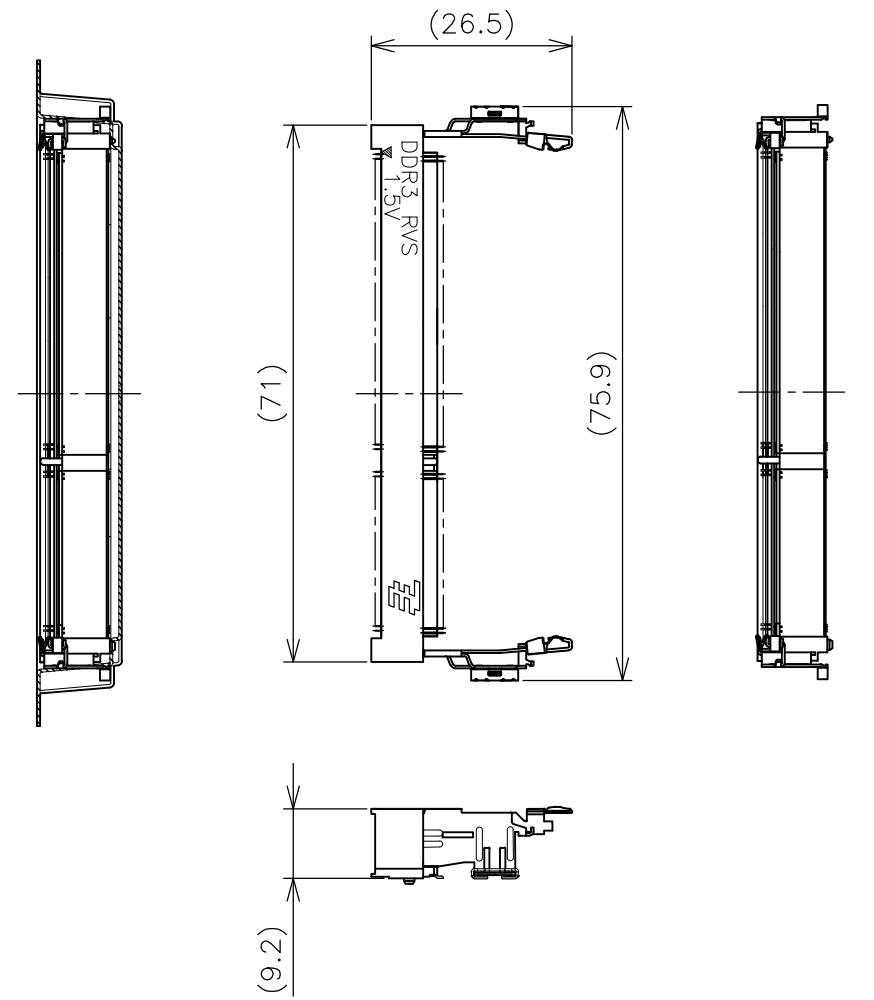
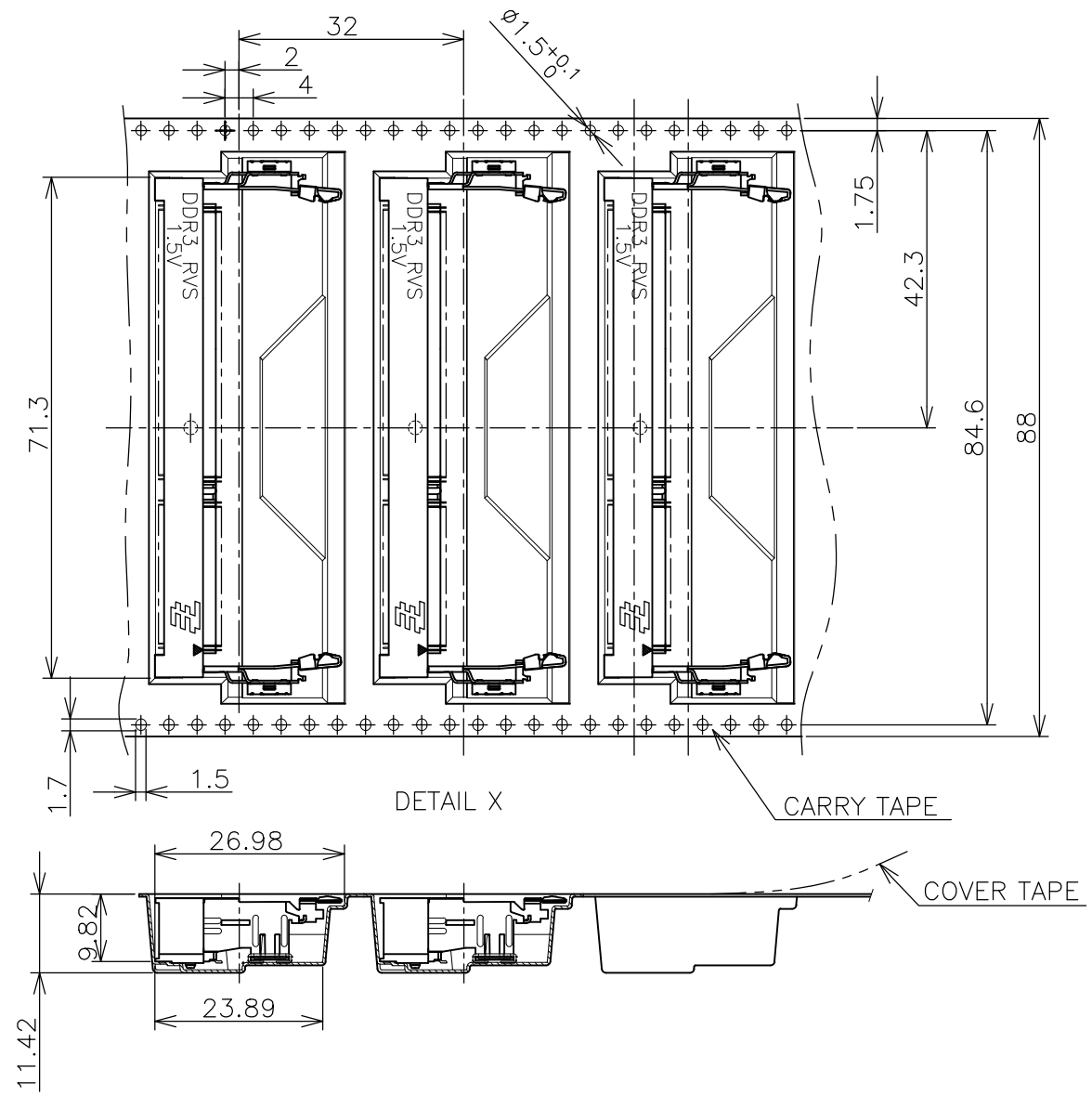
1

THIS DRAWING IS UNPUBLISHED. RELEASED FOR PUBLICATION .SEP 2007
 © COPYRIGHT 2007 By - ALL RIGHTS RESERVED.

| LOC | DIST | REVISIONS | | | | | |
|-----|------|-----------|-----|-------------|------|-----|------|
| J | / | P | LTR | DESCRIPTION | DATE | DWN | APVD |
| | | - | | SEE SHEET 1 | - | - | - |



- (APPLIED TO SHEET 6)
1. THE DIRECTION OF EACH CONNECTOR ON A EMBOSS IS REFERRED TO THIS DRAWING.
 2. GENERAL TOLERANCE: ± 0.5 , $\pm 3^\circ$



| | |
|----------|-------------|
| 150EA | *-2013311-* |
| QTY/REEL | PART NO. |

| | | | | | | |
|--|--|------------------|----------------------------|-----------|------------|---------------|
| THIS DRAWING IS A CONTROLLED DOCUMENT. | | DWN | STE TE Connectivity | | | |
| DIMENSIONS: MM | | CHK | | | | |
| TOLERANCES UNLESS OTHERWISE SPECIFIED: | | APVD | NAME | | | |
| 0 PLC ± 0.5 | | PRODUCT SPEC | DDR3 SODIMM SOCKET | | | |
| 1 PLC ± 0.5 | | APPLICATION SPEC | 0.6mm PITCH 204POS | | | |
| 2 PLC ± 0.5 | | WEIGHT | SIZE | CAGE CODE | DRAWING NO | RESTRICTED TO |
| 3 PLC ± 0.5 | | | A3 | 00779 | C-2013311 | - |
| 4 PLC ± 0.5 | | CUSTOMER DRAWING | | SCALE | SHEET | REV |
| ANGLES $\pm 3^\circ$ | | | | 1:2 | 6 OF 6 | D1 |
| FINISH | | | | | | |

X-ON Electronics

Largest Supplier of Electrical and Electronic Components

Click to view similar products for [DIMM Connectors](#) category:

Click to view products by [TE Connectivity](#) manufacturer:

Other Similar products are found below :

[1-1932649-2](#) [1-1761024-0](#) [2309411-5](#) [10116658-252ASLF](#) [5390471-1](#) [2309413-3](#) [78507-0061](#) [KIT-SODIMM-1X16GB/01](#) [10129206-0010013LF](#) [10086891-052TSLF](#) [10079192-11102LF](#) [10116658-152FSLF](#) [10129206-0011113LF](#) [1-2308107-0](#) [2013310-1](#) [2013289-1](#) [390111-1](#) [390112-1](#) [2309413-1](#) [2309407-1](#) [2309414-1](#) [10081530-12208LF](#) [151080-0001](#) [78726-1004](#) [10005639-11107LF](#) [10005639-11109LF](#) [10005639-12207LF](#) [10023061-10207LF](#) [10033853-252FSLF](#) [10033853-052ASLF](#) [10033853-052FSLF](#) [10033853-152FSLF](#) [10033854-052FSLF](#) [10034542-10002LF](#) [10037402-12207LF](#) [10081530-11107LF](#) [10081530-12207LF](#) [10081530-12218LF](#) [10081530-12228LF](#) [10124632-0030001LF](#) [10124806-01006LF](#) [10145226-0241N13LF](#) [59354-052FSLF](#) [59355-052FSLF](#) [DDR4288S0211TF](#) [DDR4288S0511H](#) [DDR4288S0511TF](#) [DDR4288V0123TF](#) [DDR4288V0213TF](#) [DDR502112001K](#)