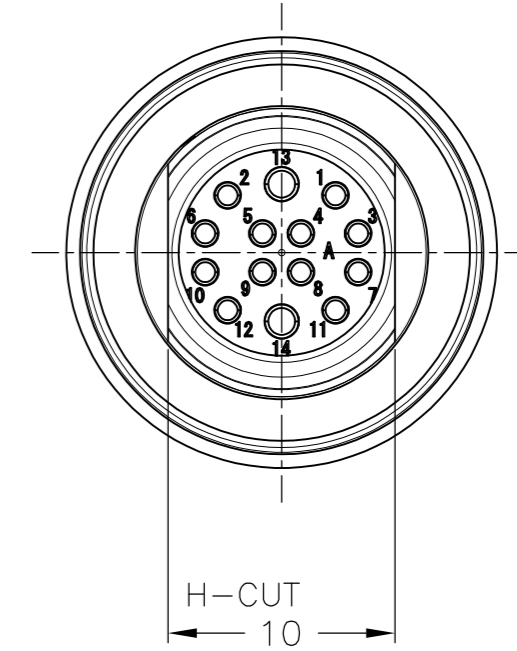
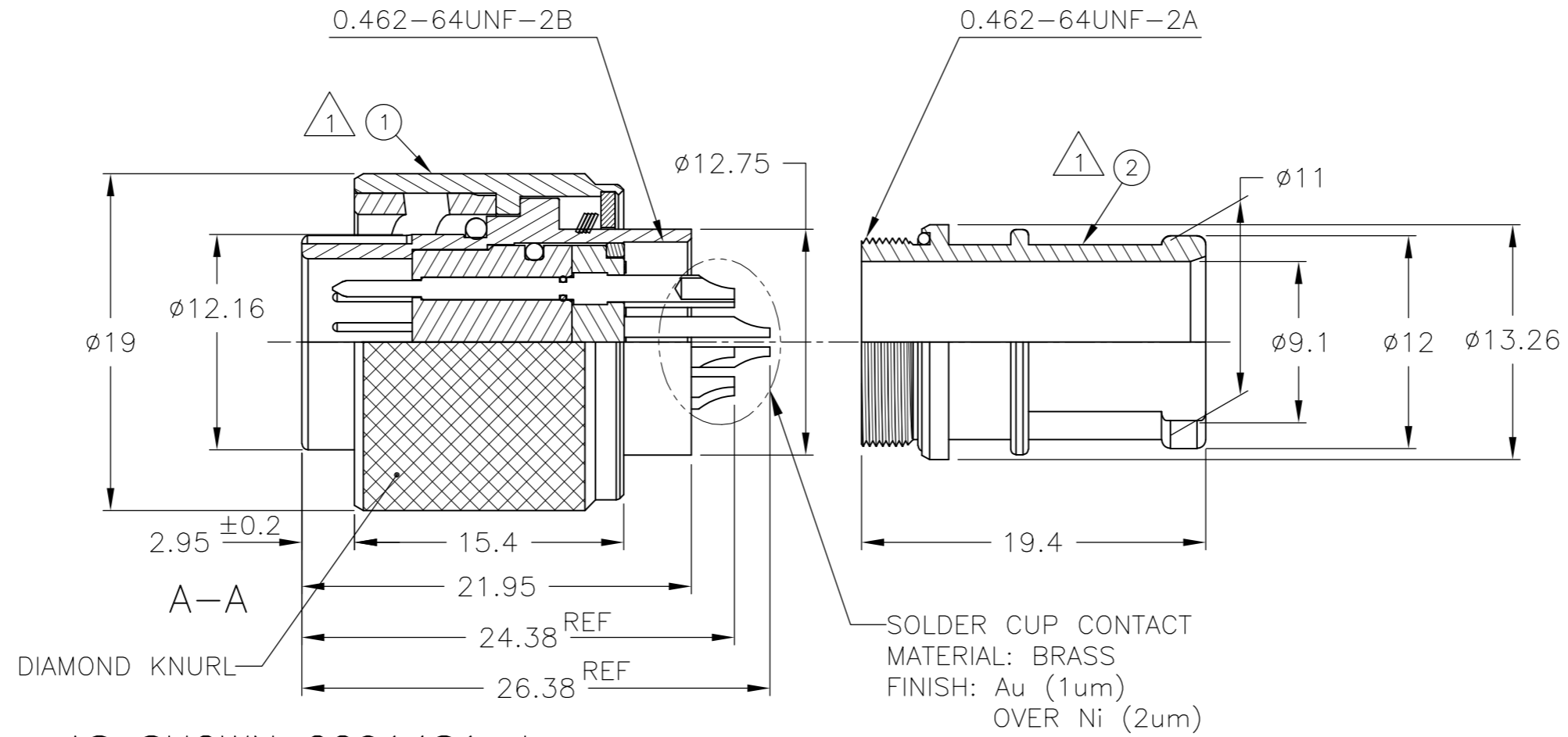
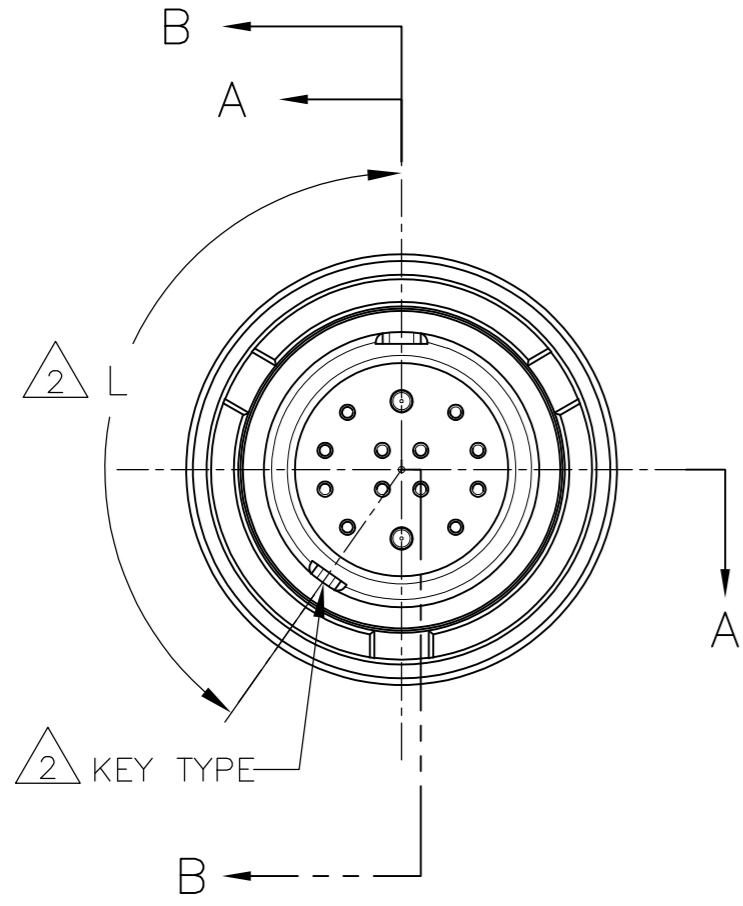
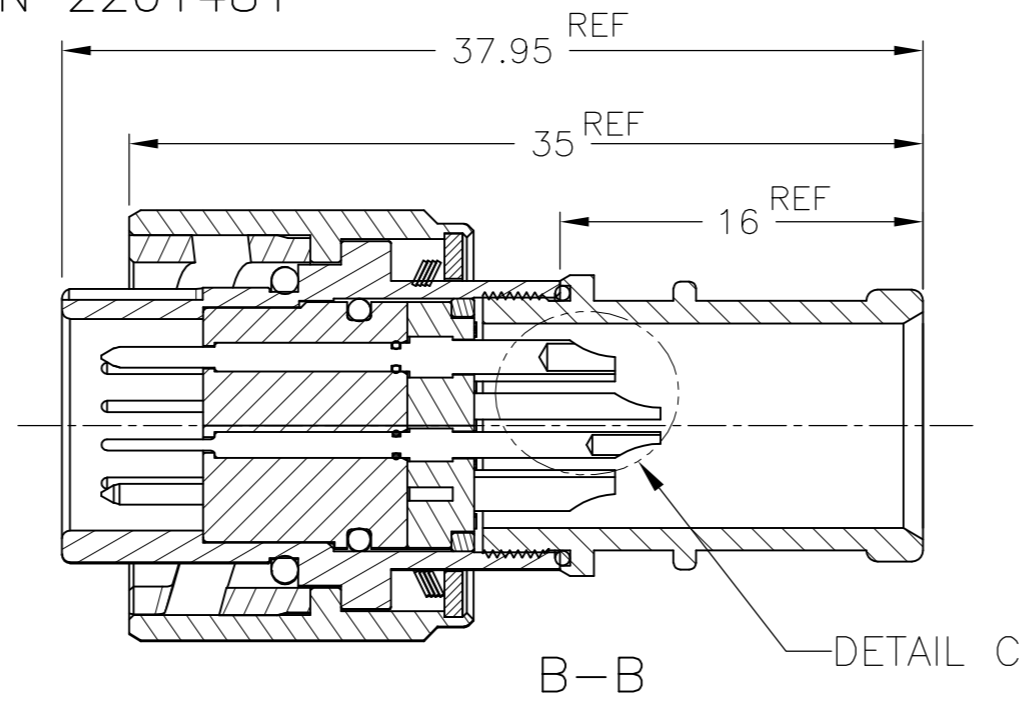
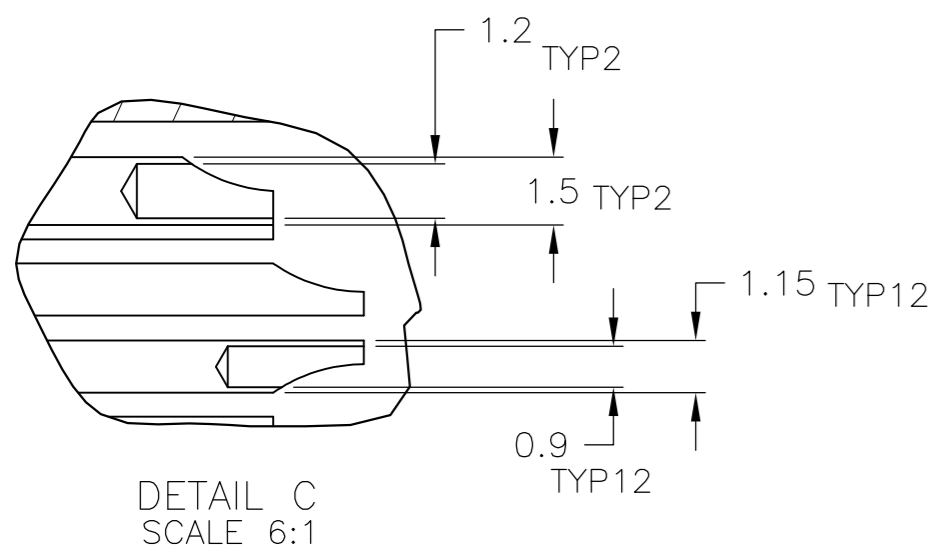


THIS DRAWING IS UNPUBLISHED. RELEASED FOR PUBLICATION AUG, 2012.
 © COPYRIGHT 2012 Tyco Electronics JAPAN G.K. ALL RIGHTS RESERVED.

LOC	DIST	REVISIONS			
P	LTR	DESCRIPTION	DATE	DWN	APVD
J		G	REVISED	30JUL2014	H.S C.O

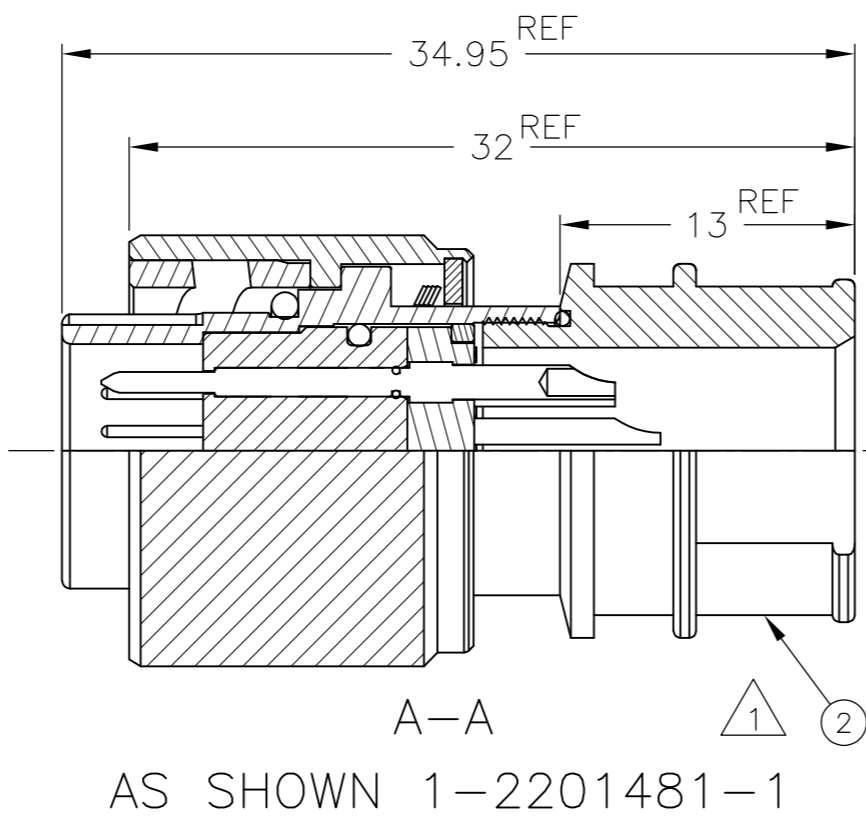
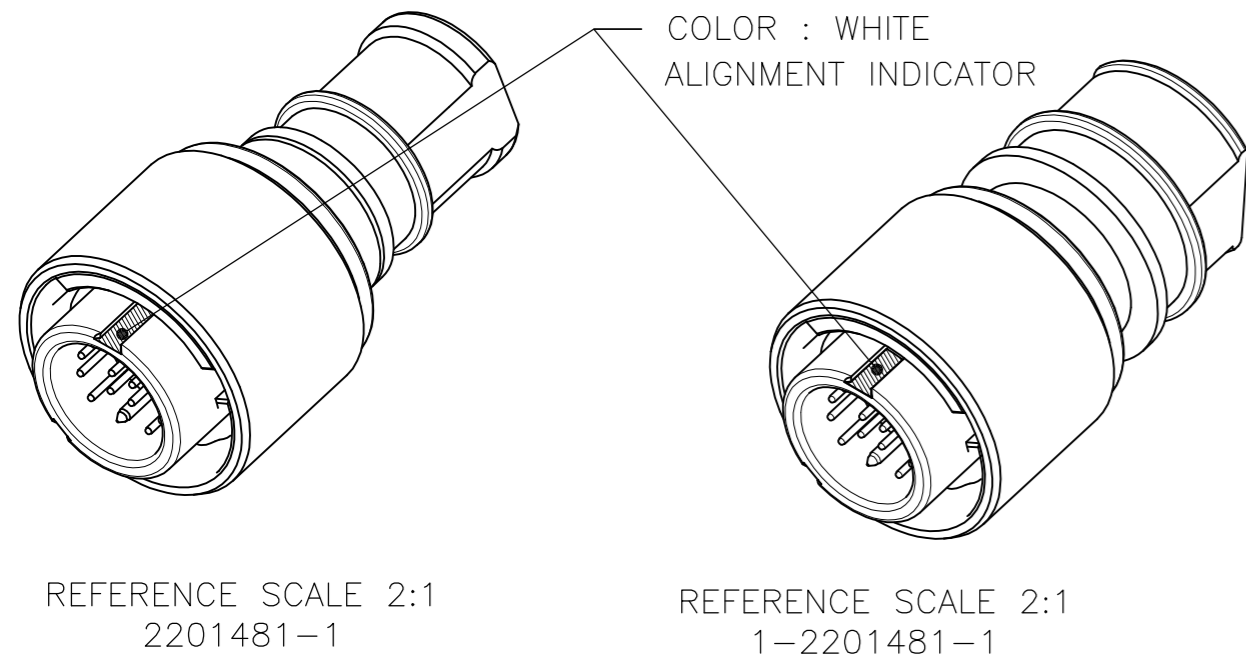


AS SHOWN 2201481-*



- △ MATERIAL: BRASS
FINISH : BLACK Su-Ni OVER Ni
- △ KEY POSITION: TYPE N IS NORMAL POSITION.
OPTION KEY IS TYPE A (-2).
- △ "#" IS BODY No.

△DIM L	DESCRIPTION	PART NO.
145'	TYPE N	1-2201481-1 △
215'	TYPE A	2201481-2
145'	TYPE N	2201481-1



QTY	REQ.	PER ASSY	DESCRIPTION	ITEM NO.
1	-	-	14P PLUG ADAPTOR WITH O-RING 2	②
-	1	1	14P PLUG ADAPTOR WITH O-RING 1	②
-	1	-	14P BAYONET PLUG PIN SOCKET/SOLDER CUP ASSY TYPE A	①
1	-	1	14P BAYONET PLUG PIN SOCKET/SOLDER CUP ASSY TYPE N	①
1-#-1	-2	-1	DESCRIPTION	ITEM NO.

← REVISION OF EACH ASSY NO. (WHEN BLANK, USE DRAWING REVISION)

THIS DRAWING IS A CONTROLLED DOCUMENT.

DWN	H.SUZUKI	27AUG2012
CHK	T.SUGIYAMA	27AUG2012
APVD	T.SUGIYAMA	27AUG2012

TE Connectivity

NMSMC 14P BAYONET PLUG
PIN SOCKET / SOLDER CUP CONT KIT

108-78967
114-5503
WEIGHT 29.295g

SIZE A2 CAGE CODE 00779 DRAWING NO. C=2201481

SCALE 3:1 SHEET 1 OF 1 REV G

X-ON Electronics

Largest Supplier of Electrical and Electronic Components

Click to view similar products for [Standard Circular Connector](#) category:

Click to view products by [TE Connectivity](#) manufacturer:

Other Similar products are found below :

[5M2530B10P](#) [600259N006](#) [600273N007](#) [6134-336-13149](#) [6134-337-11149](#) [6134-337-2390](#) [6134-341-17149](#) [6280-4SG-516](#) [6280-7SG-3DC](#)
[6290](#) [6291A](#) [66200A-10](#) [680-SMG](#) [681-PMG](#) [CXS3102A14S2P](#) [CXS3102A181S](#) [7271-6SG-300](#) [7282-3PG-300-CH3](#) [75-474014-05S](#) [75-](#)
[474618-01S](#) [75-474618-04P](#) [75-474618-04S](#) [799539-000](#) [MI8-SE](#) [805-005-07NF11-19PC](#) [805-005-07NF15-7PA](#) [8280-4PG-516](#) [8280-7PG-](#)
[519](#) [8282-5PG-519](#) [836783-1](#) [MP-4102-25P-C](#) [862256-1](#) [864019-2](#) [866857-1](#) [867865-1](#) [PT01SP-14-18P](#) [PT08P-14-5S](#) [120-1833-000](#)
[QCM019PC2DC012B](#) [1-2069279-1](#) [121583-0217](#) [121667-0020](#) [129591AU](#) [1000B BULK](#) [RD10A16-19-P6CS051/1](#) [RD10A20-31-](#)
[P8CS051/1](#) [RD16A14-12-S6CS051/2](#) [1301240290](#) [1301240347](#) [1301860202](#) [1301240268](#)