

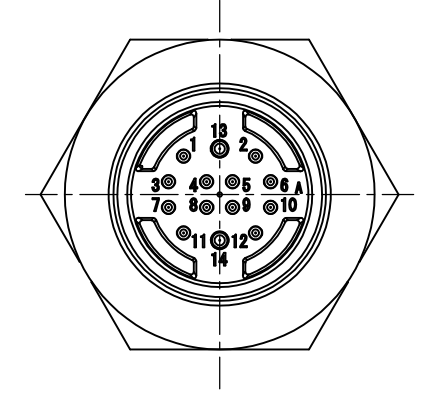
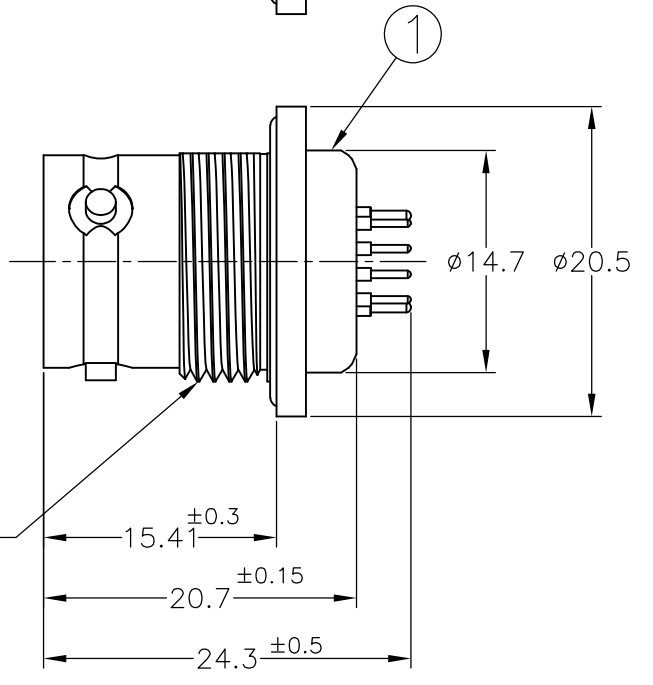
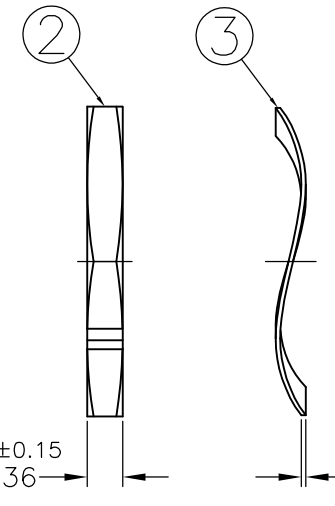
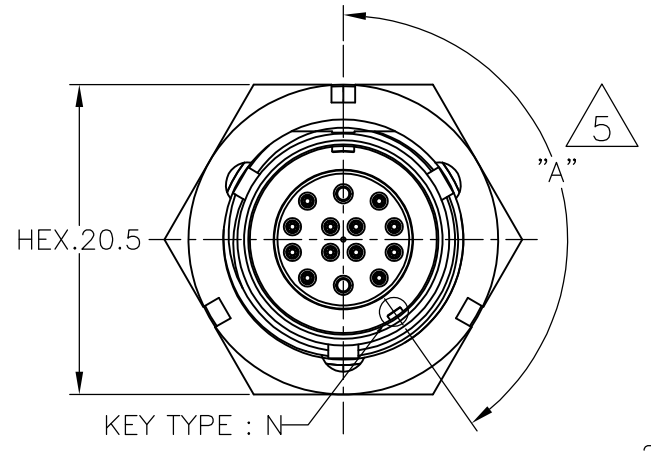
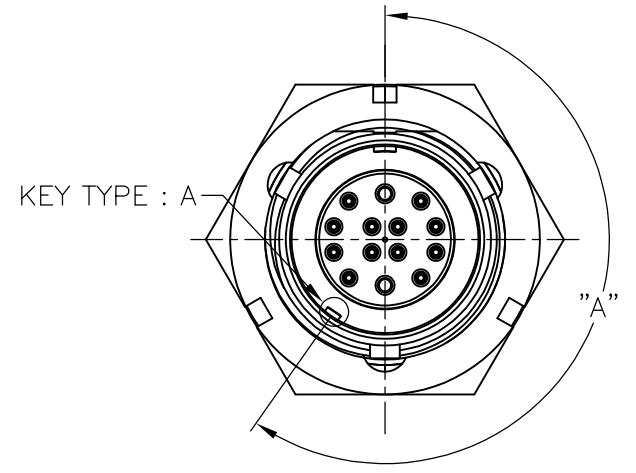
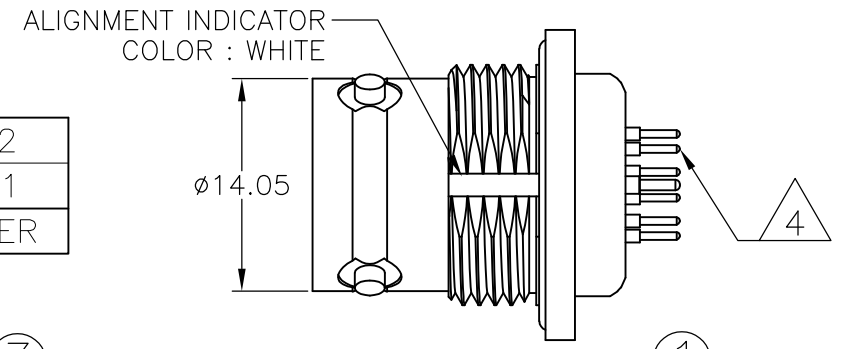
THIS DRAWING IS UNPUBLISHED. RELEASED FOR PUBLICATION FEB. 2012.
 © COPYRIGHT 2012 By Tyco Electronics Japan G.K. ALL RIGHTS RESERVED.

P	LTR	DESCRIPTION	DATE	DWN	APVD
	B2	REVISED	21AUG2017	T.F	T.K

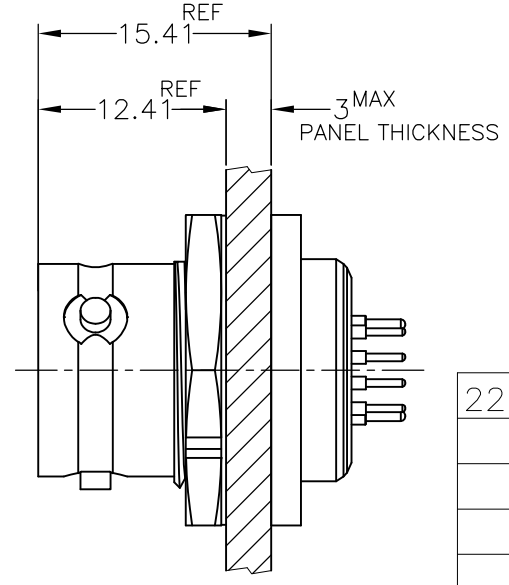
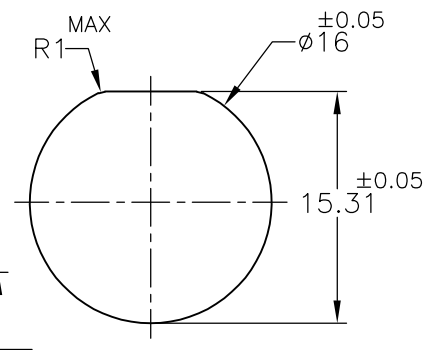
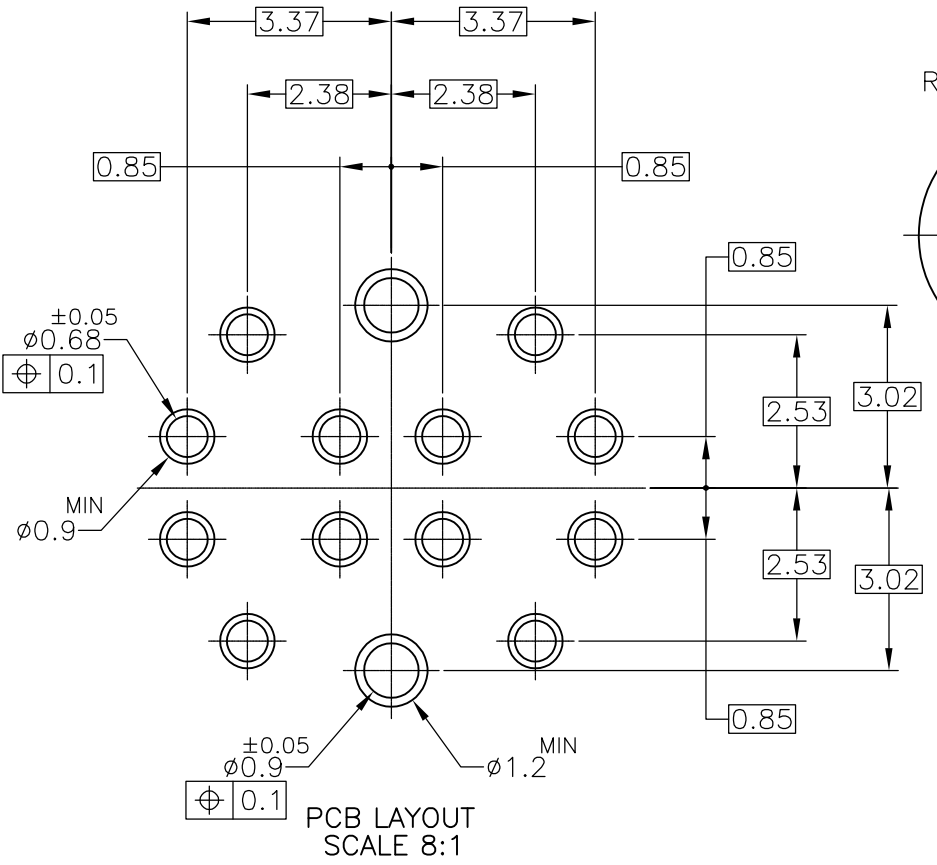
本図：2201482-1
 AS SHOWN:2201482-1

- ① MATERIAL: BRASS
- ② FINISH : BLACK Sn-Ni, OVER Ni (9 ~ 10um)
- ③ FINISH : Ni PLATING (3 ~ 6um)
- ④ FINISH : Au PLATING (1.0um), Ni PLATING (2um MIN.)
- ⑤ KEY OPTION : TYPE N IS NORMAL POSITION.
 OPTION KEY IS TYPE A(-2) AND TYPE B(-3).

DIM "A"	KEY TYPE	PART NUMBER
215°	TYPE A	2201482-2
145°	TYPE N	2201482-1



⑤ KEY POSITION OPTION



PANEL MOUNT REFERENCE DIMENSION
 REFERENCE P/N:2201482-* and 1-2201482-*

QTY	FINISH	DISCRIPTION	ITEM
1	③	HEX. NUT	③
1	②	WAVE SPRING WASHER	②
1	①	CONNECTOR ASSEMBLY KEY-A	①
1		CONNECTOR ASSEMBLY KEY-N	

THIS DRAWING IS A CONTROLLED DOCUMENT.

DWN	T.SUGIYAMA	19FEB2012
CHK	T.TONOBÉ	07MAY2012
APVD	T.SUGIYAMA	07MAY2012

PRODUCT SPEC: 108-78938
 APPLICATION SPEC: 114-5503
 WEIGHT: 0.000000

STE TE Connectivity

NMSMC 14P BAYONET RECE
 PIN SOCKET / SOLDER TAIL
 CONNECTOR KIT

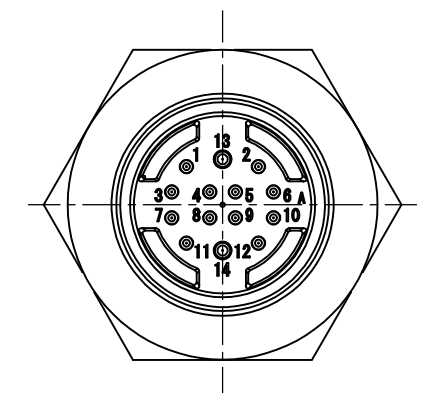
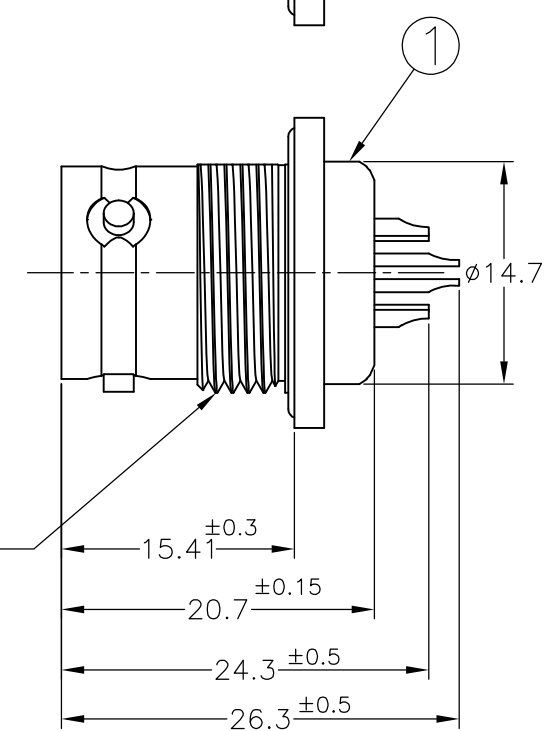
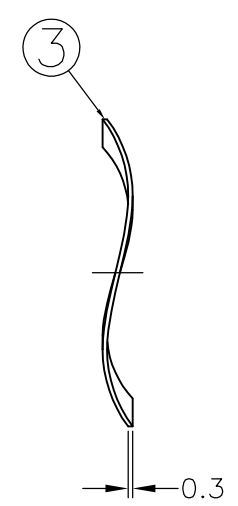
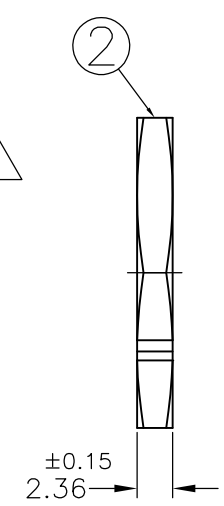
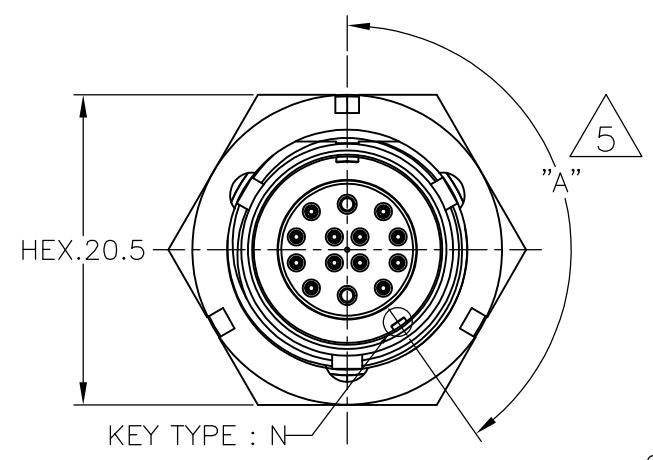
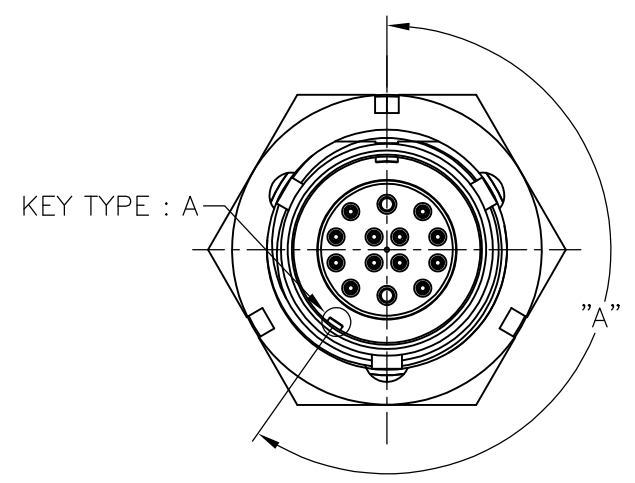
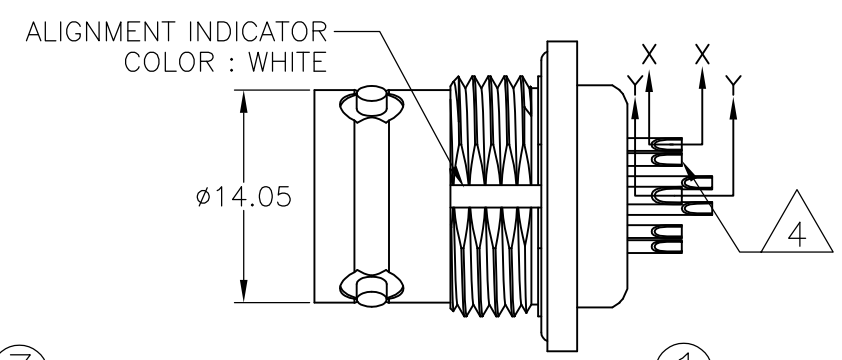
SIZE	A3	CAGE CODE	00779	DRAWING NO	C-2201482	RESTRICTED TO	-
CUSTOMER DRAWING		SCALE	2:1	SHEET	1 OF 2	REV	B2

THIS DRAWING IS UNPUBLISHED. RELEASED FOR PUBLICATION FEB ,2012.
 © COPYRIGHT 2012 By Tyco Electronics Japan G.K. ALL RIGHTS RESERVED.

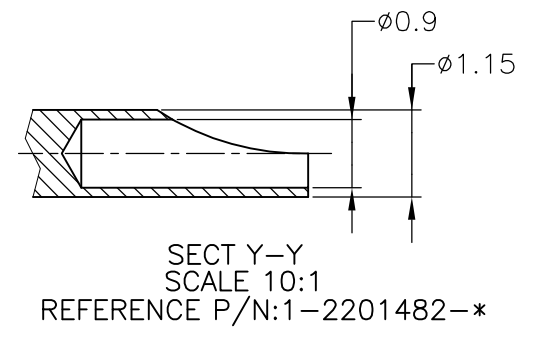
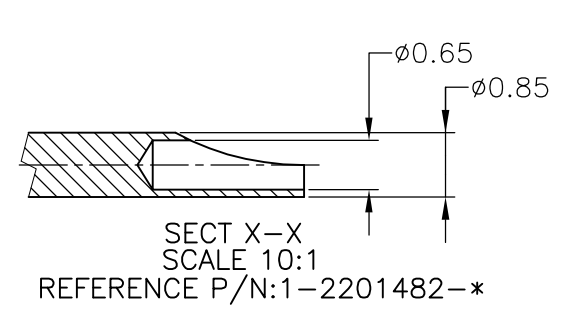
P	LTR	DESCRIPTION	DATE	DWN	APVD
-	-	SEE SHEET 1	-	-	-

本図：1-2201482-1
 AS SHOWN:1-2201482-1

KEY POSITION		
215°	TYPE A	1-2201482-2
145°	TYPE N	1-2201482-1
DIM "A"	KEY TYPE	PART NUMBER



KEY POSITION OPTION



1-2201482-2	1-2201482-1	PART NUMBER	ITEM
1	1	HEX. NUT	③
1	1	WAVE SPRING WASHER	②
1		CONNECTOR ASSEMBLY KEY-A	①
	1	CONNECTOR ASSEMBLY KEY-N	
QTY		FINISH	ITEM

THIS DRAWING IS A CONTROLLED DOCUMENT.		DWN T.SUGIYAMA 19FEB2012		TE Connectivity	
DIMENSIONS: mm		CHK T.TONOBÉ 07MAY2012			
TOLERANCES UNLESS OTHERWISE SPECIFIED: ±0.1		APVD T.SUGIYAMA 07MAY2012		NAME	
0-PLC ± 1-PLC ± 2-PLC ± 3-PLC ± 4-PLC ± ANGLES ±5°		PRODUCT SPEC 108-78938		NMSMC 14P BAYONET RECE PIN SOCKET / SOLDER TAIL	
MATERIAL		APPLICATION SPEC 114-5503		CONNECTOR KIT	
FINISH		WEIGHT 0.000000		SIZE A3	RESTRICTED TO
		CUSTOMER DRAWING		CAGE CODE 00779	DRAWING NO C-2201482
		SCALE 2:1		SHEET 2 OF 2	REV B2

X-ON Electronics

Largest Supplier of Electrical and Electronic Components

Click to view similar products for [Standard Circular Connector](#) category:

Click to view products by [TE Connectivity](#) manufacturer:

Other Similar products are found below :

[5M2530B10P](#) [600259N006](#) [600273N007](#) [6134-336-13149](#) [6134-337-11149](#) [6134-337-2390](#) [6134-341-17149](#) [6280-4SG-516](#) [6280-7SG-3DC](#)
[6290](#) [6291A](#) [66200A-10](#) [680-SMG](#) [681-PMG](#) [CXS3102A14S2P](#) [CXS3102A181S](#) [7271-6SG-300](#) [7282-3PG-300-CH3](#) [75-474618-01S](#) [75-](#)
[474618-04P](#) [75-474618-04S](#) [799539-000](#) [MI8-SE](#) [805-005-07NF11-19PC](#) [805-005-07NF15-7PA](#) [8280-4PG-516](#) [8280-7PG-519](#) [8282-5PG-](#)
[519](#) [836783-1](#) [MP-4102-25P-C](#) [862256-1](#) [864019-2](#) [866857-1](#) [867865-1](#) [PT01SP-14-18P](#) [PT08P-14-5S](#) [120-1833-000](#)
[QCM019PC2DC012B](#) [1-2069279-1](#) [121583-0217](#) [121667-0020](#) [129591AU](#) [1000B BULK](#) [RD10A16-19-P6CS051/1](#) [RD10A20-31-](#)
[P8CS051/1](#) [RD16A14-12-S6CS051/2](#) [1301240290](#) [1301240347](#) [1301860202](#) [1301240268](#) [1301240275](#)