

THIS DRAWING IS UNPUBLISHED.

RELEASED FOR PUBLICATION

MAY ,2011.

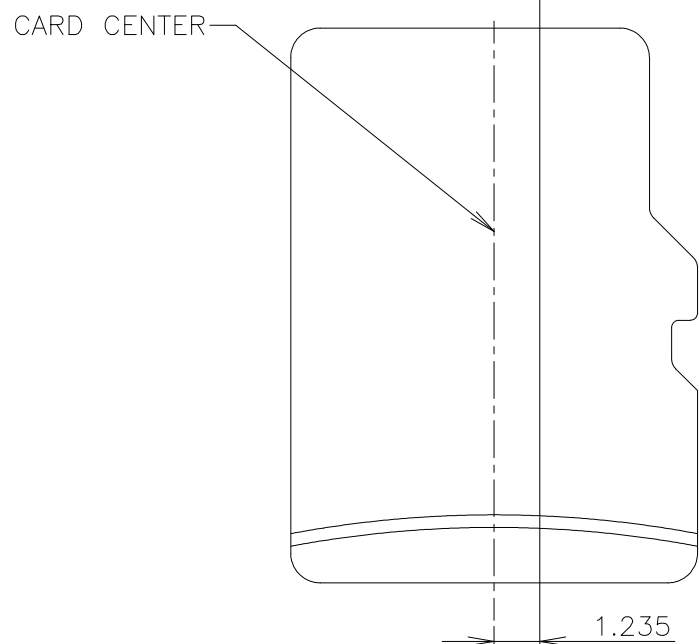
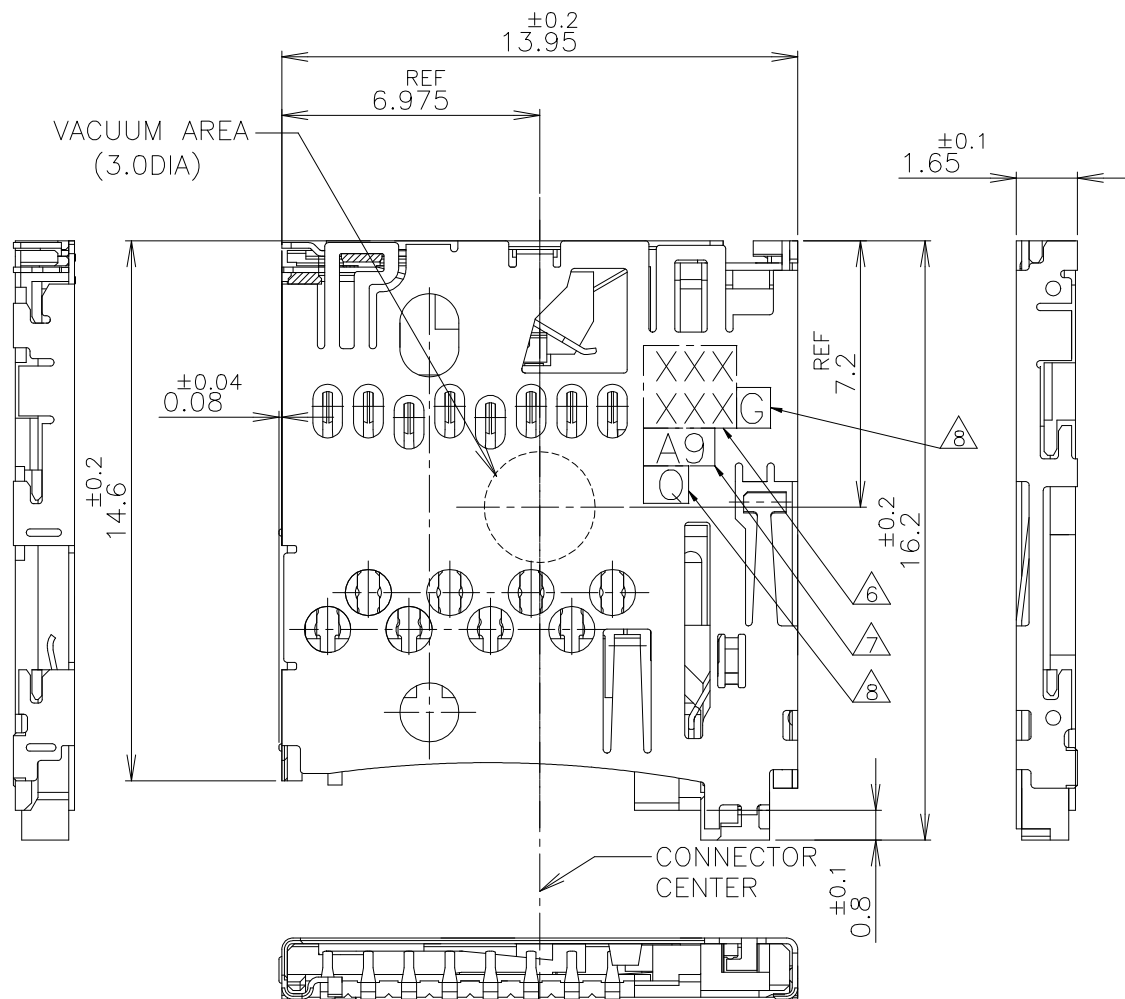
© COPYRIGHT 2011 By Tyco Electronics Japan G.K.

ALL RIGHTS RESERVED.

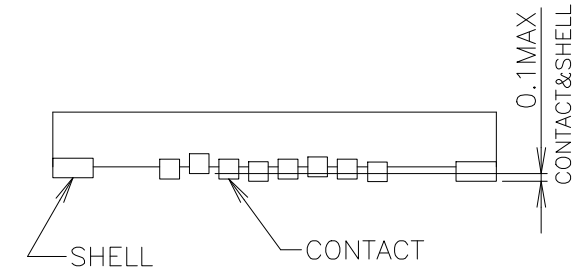
REVISIONS

変更

P	LTR	DESCRIPTION	DATE	DWN	APVD
C		REVISED	09DEC2019	N.U	K.K



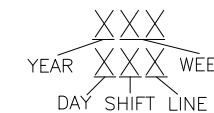
- 1.材料 ハウジング、スライダ：熱可塑性樹脂 UL 94-V 色：黒
 コントクト：銅合金
 シェル：銅合金
 コイル：SWP
 カムロッド：SUS
 フックスプリング：SUS
- 2 仕上げ コントクト：Ni下地めっき
 接点部：金めっき
 シェル：Ni下地めっき
 金めっき




- ③ 非累積公差
- 4. コプラナリティは 0.1mm以下
- ⑤ スイッチ回路図
- ⑥ デートコードマーキングすること。吸着エリアφ4にはマーキングしないこと。
- ⑦ バージョンマーキングすること。吸着エリアφ4にはマーキングしないこと。
- ⑧ 生産場所コード：“G”：GUANGDONG, “Q”：QINGDAO.

- 1.MATERIAL HOUSING,SLIDER : THERMOPLASTIC RESIN
 UL94V-0, COLOR;BLACK
 CONTACT : COPPER ALLOY
 SHELL : COPPER ALLOY
 COIL : SWP
 CAM ROD : SUS
 HOOK SPRING : SUS
- 2 FINISH CONTACT : Ni UNDER PL
 Au PL AT CONTACT AREA
 SHELL : Ni UNDER PL
 Au PL

- ③ NON-CUMULATIVE TOLERANCE
- 4. COPLANARITY IS 0.1MAX.
- ⑤ CIRCUIT DRAWING OF SWITCH.
- ⑥ MARK DATE CODE. MUST NOT MARK AT VACUUM AREA φ4.
- ⑦ MARK VERSION. MUST NOT MARK AT VACUUM AREA φ4.
 (MASS PRO) AX (PROTO) P1→P2→PX
- ⑧ PRODUCTION LOCATION CODE: “G” FOR GUANGDONG, “Q” FOR QINGDAO.



THIS DRAWING IS A CONTROLLED DOCUMENT.		DWN Y.KUDO 21MAY2012	 TE Connectivity Ltd.															
DIMENSIONS: 単位：耗 MM		CHK K.KOBAYASHI 21MAY2012																
TOLERANCES UNLESS OTHERWISE SPECIFIED: 一般公差		APVD T.KUSUHARA 21MAY2012	NAME 名称 MICRO SD PUSH PUSH LOW PROFILE TYPE															
<table border="1"> <tr><td>0 PLC</td><td>± 0.3</td></tr> <tr><td>1 PLC</td><td>± 0.3</td></tr> <tr><td>2 PLC</td><td>± 0.3</td></tr> <tr><td>3 PLC</td><td>± 0.3</td></tr> <tr><td>4 PLC</td><td>± 0.3</td></tr> <tr><td>ANGLES</td><td>± 1°</td></tr> </table>		0 PLC	± 0.3	1 PLC	± 0.3	2 PLC	± 0.3	3 PLC	± 0.3	4 PLC	± 0.3	ANGLES	± 1°	PRODUCT SPEC 製品規格 108-78951	SIZE A3	CAGE CODE 00779	DRAWING NO 番号 G=2201778	RESTRICTED TO —
0 PLC	± 0.3																	
1 PLC	± 0.3																	
2 PLC	± 0.3																	
3 PLC	± 0.3																	
4 PLC	± 0.3																	
ANGLES	± 1°																	
WITH MYLAR 2201778-2		APPLICATION SPEC 取付適用規格	SCALE 尺度 5:1															
WITHOUT MYLAR 2201778-1		MATERIAL 材料	SHEET 1 of 5															
DESCRIPRION PART NUMBER		FINISH 仕上	REV C															
		WEIGHT 0.45g	CUSTOMER DRAWING															

THIS DRAWING IS UNPUBLISHED.

RELEASED FOR PUBLICATION

MAY ,2011.

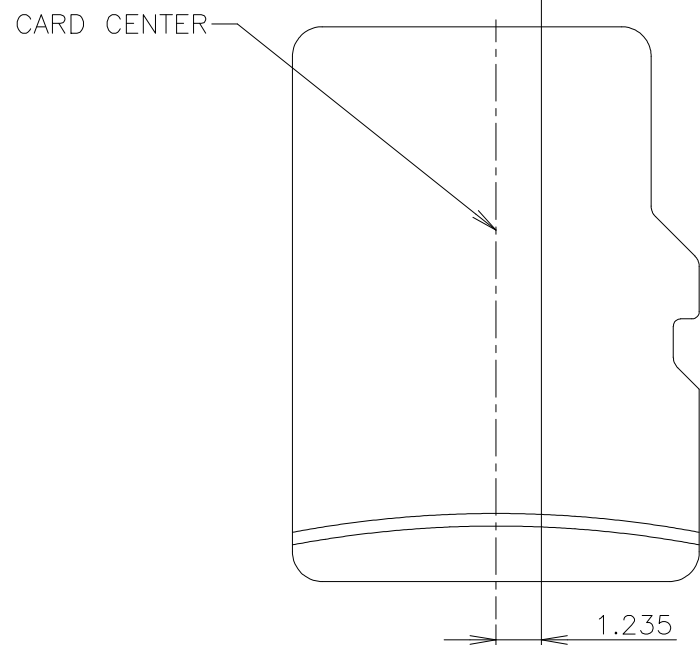
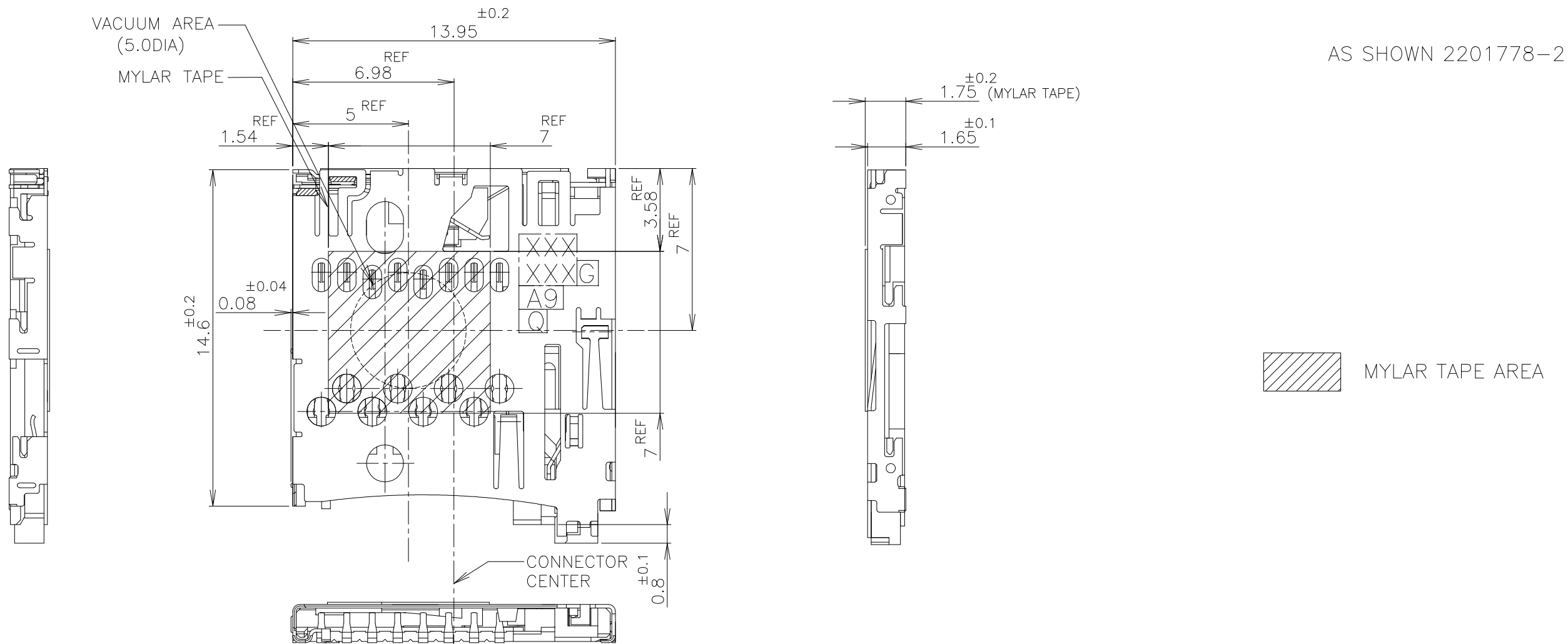
© COPYRIGHT 2011 By Tyco Electronics Japan G.K.

ALL RIGHTS RESERVED.

REVISIONS

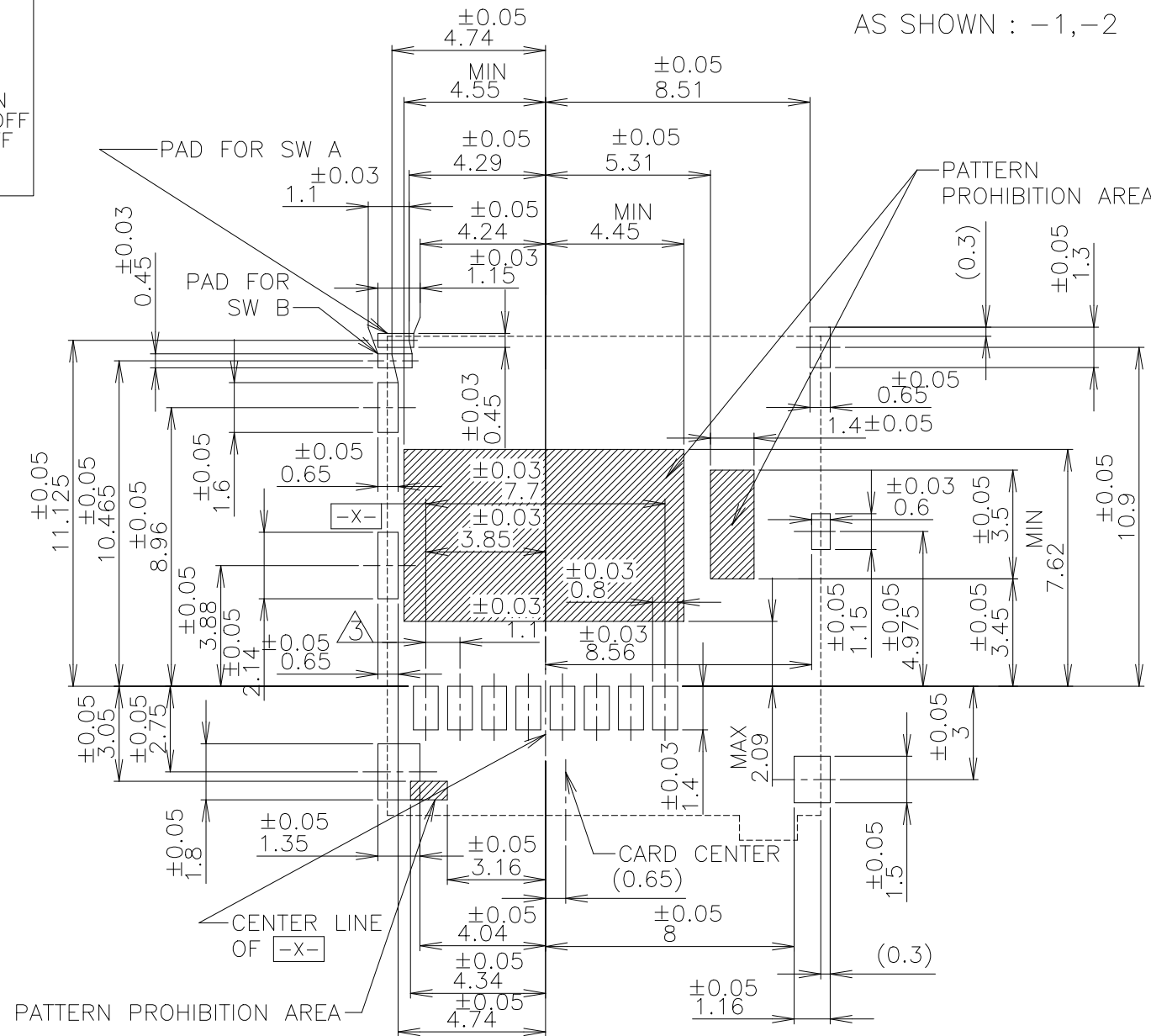
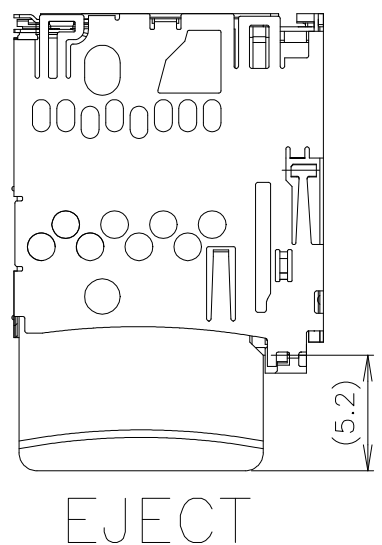
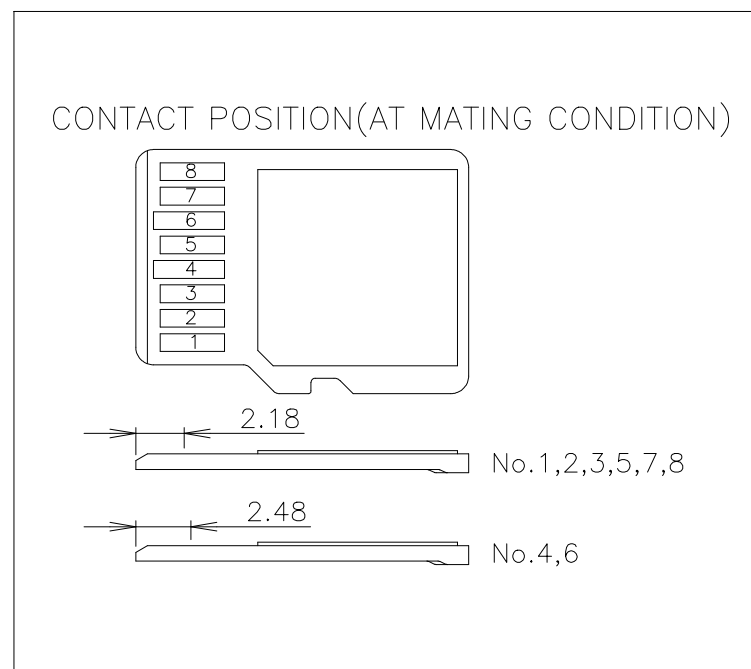
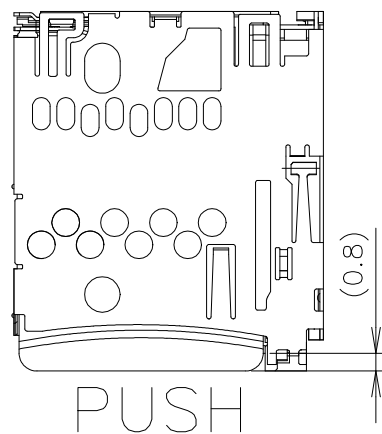
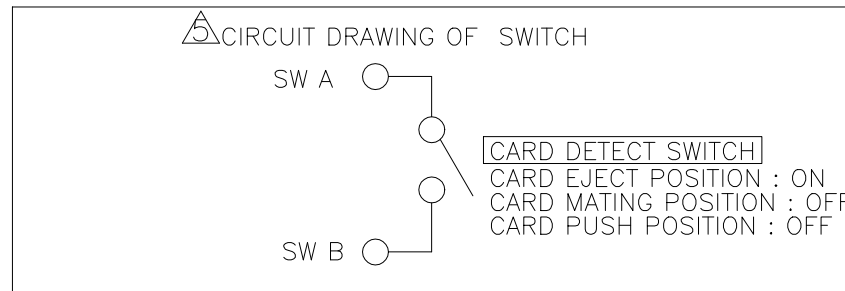
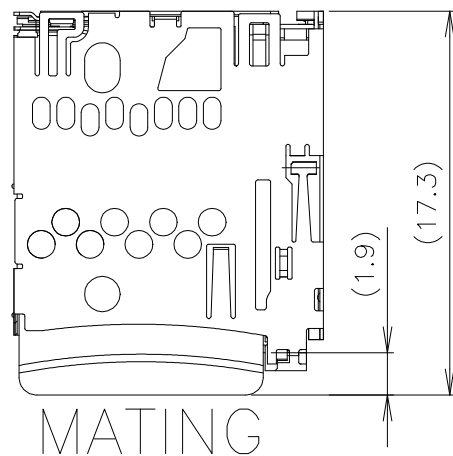
変更

P	LTR	DESCRIPTION	DATE	DWN	APVD
-	-	SEE SHEET 1	-	-	-



THIS DRAWING IS A CONTROLLED DOCUMENT.		DWN	-	STE TE Connectivity Ltd.	
DIMENSIONS: 単位: 耗 MM		CHK	-		
TOLERANCES UNLESS OTHERWISE SPECIFIED: 一般公差		APVD	-	NAME 名称	
0 PLC ± 0.3 1 PLC ± 0.3 2 PLC ± 0.3 3 PLC ± 0.3 4 PLC ± 0.3 ANGLES ± 1°		PRODUCT SPEC 製品規格	108-78951		MICRO SD PUSH PUSH LOW PROFILE TYPE
MATERIAL 材料		FINISH 仕上	APPLICATION SPEC 取付適用規格	SIZE	RESTRICTED TO
			WEIGHT	A3	-
			CUSTOMER DRAWING	CAGE CODE	DRAWING NO 番号
			SCALE 尺度	00779	G-2201778
			SHEET	2	OF 5
			REV	C	

P	LTR	DESCRIPTION	DATE	DWN	APVD
-	-	SEE SHEET 1	-	-	-



PCB LAYOUT(REFERENCE)
(VIEWED FROM CONNECTOR MOUNT SIDE)

THIS DRAWING IS A CONTROLLED DOCUMENT.		DWN	TE Connectivity Ltd.														
DIMENSIONS: 単位: 耗 MM		CHK															
TOLERANCES UNLESS OTHERWISE SPECIFIED: 一般公差		APVD	NAME 名称														
<table border="1"> <tr><td>0 PLC</td><td>± 0.3</td></tr> <tr><td>1 PLC</td><td>± 0.3</td></tr> <tr><td>2 PLC</td><td>± 0.3</td></tr> <tr><td>3 PLC</td><td>± 0.3</td></tr> <tr><td>4 PLC</td><td>± 0.3</td></tr> <tr><td>ANGLES</td><td>± 1°</td></tr> </table>		0 PLC	± 0.3	1 PLC	± 0.3	2 PLC	± 0.3	3 PLC	± 0.3	4 PLC	± 0.3	ANGLES	± 1°	PRODUCT SPEC 製品規格	MICRO SD PUSH PUSH LOW PROFILE TYPE		
0 PLC	± 0.3																
1 PLC	± 0.3																
2 PLC	± 0.3																
3 PLC	± 0.3																
4 PLC	± 0.3																
ANGLES	± 1°																
MATERIAL 材料		FINISH 仕上	APPLICATION SPEC 取付適用規格	SIZE	RESTRICTED TO												
			WEIGHT	CAGE CODE													
			CUSTOMER DRAWING	DRAWING NO 番号													
				A3 00779													
				C=2201778													
				SCALE 尺度 5:1	SHEET 3 of 5												
					REV C												

THIS DRAWING IS UNPUBLISHED.

RELEASED FOR PUBLICATION

MAY ,2005.

© COPYRIGHT 2005 By Tyco Electronics Japan G.K.

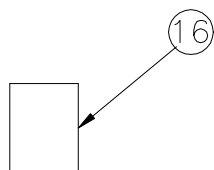
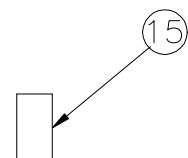
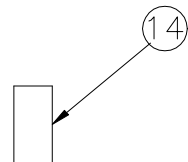
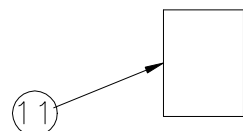
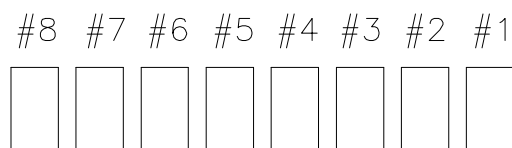
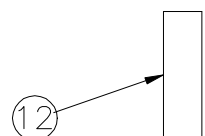
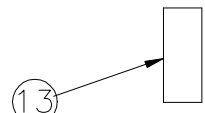
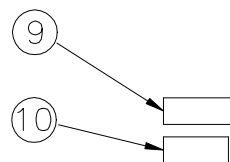
ALL RIGHTS RESERVED.

REVISIONS

変更

P	LTR	DESCRIPTION	DATE	DWN	APVD
-	-	SEE SHEET 1	-	-	-

AS SHOWN : -1,-2



PIN ASSIGNMENT

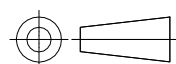
PIN#	SD MODE			SPI MODE		
	NAME	TYPE	DESCRIPTION	NAME	TYPE	DESCRIPTION
1	DAT2	I/O	DATA LINE[BIT 2]	RSV		
2	CD/DAT3	I/O	CARD DETECT/ DATA LINE[BIT 3]	CS	I	CHIP SELECT(NEG TRUE)
3	CMD	I/O	COMMAND/RESPONSE	DI	I	DATA IN
4	V _{DD}	S	SUPPLY VOLTAGE	V _{DD}	S	SUPPLY VOLTAGE
5	CLK	I	CLOCK	SCLK	I	CLOCK
6	V _{SS}	S	SUPPLY VOLTAGE GROUND	V _{SS}	S	SUPPLY VOLTAGE GROUND
7	DAT0	I/O	DATA LINE[BIT 0]	DO	O	DATA OUT
8	DAT1	I/O	DATA LINE[BIT 1]	RSV		

PIN ASSIGNMENT

NO.	PIN NAME	DESCRIPTION
⑨	SWA	DETECT SWITCH
⑩	SWB	DETECT SWITCH
⑪ ~ ⑯	GND	SHELL GROUND

THIS DRAWING IS A CONTROLLED DOCUMENT.

DIMENSIONS:
単位: 耗
MM



MATERIAL
材料

TOLERANCES UNLESS
OTHERWISE SPECIFIED:
一般公差

- 0 PLC ± 0.3
- 1 PLC ± 0.3
- 2 PLC ± 0.3
- 3 PLC ± 0.3
- 4 PLC ± 0.3
- ANGLES ± 1°
- FINISH 仕上

DWN	-
CHK	-
APVD	-
PRODUCT SPEC	製品規格
APPLICATION SPEC	取付適用規格
WEIGHT	-
CUSTOMER DRAWING	



NAME 名称			
MICRO SD PUSH PUSH LOW PROFILE TYPE			
SIZE	CAGE CODE	DRAWING NO 番号	RESTRICTED TO
A3	00779	C-2201778	-
SCALE 尺度 8:1		SHEET 4 of 5	REV C

4

3

2

1

THIS DRAWING IS UNPUBLISHED.

RELEASED FOR PUBLICATION

MAY ,2005.

© COPYRIGHT 2005 By Tyco Electronics Japan G.K.

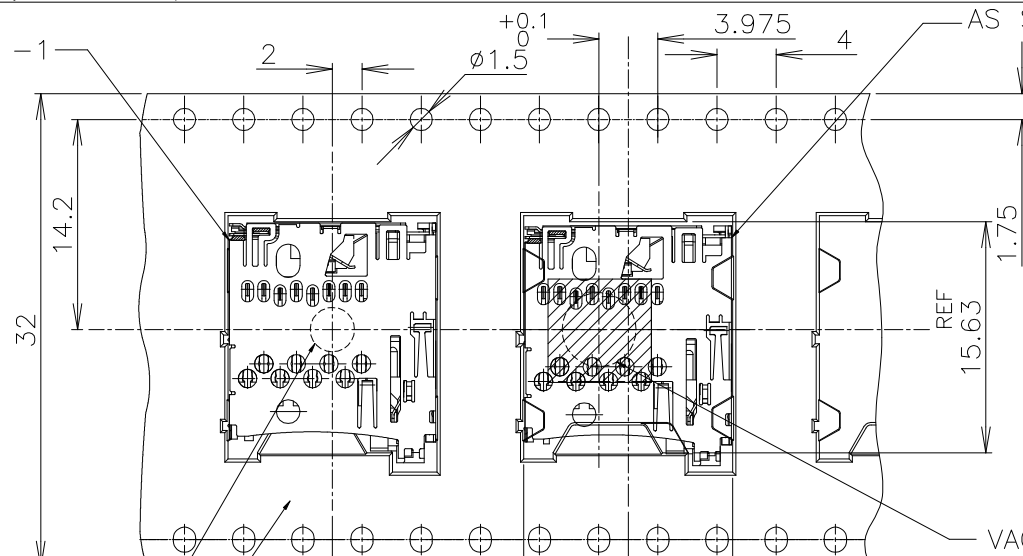
ALL RIGHTS RESERVED.

REVISIONS

変更

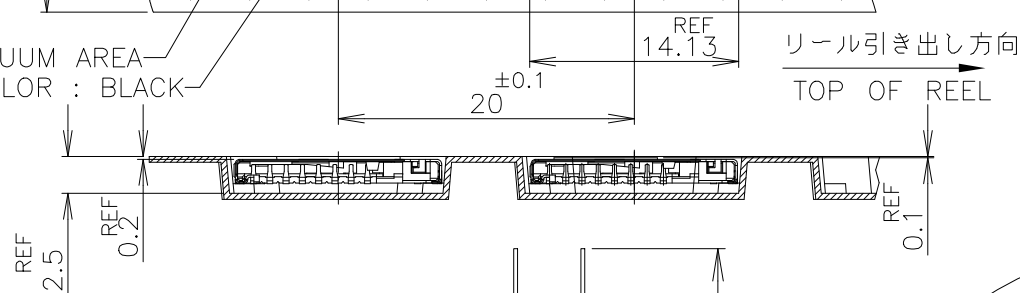
P	LTR	DESCRIPTION	DATE	DWN	APVD
-	-	SEE SHEET 1	-	-	-

AS SHOWN : -1



AS SHOWN : -1,-2

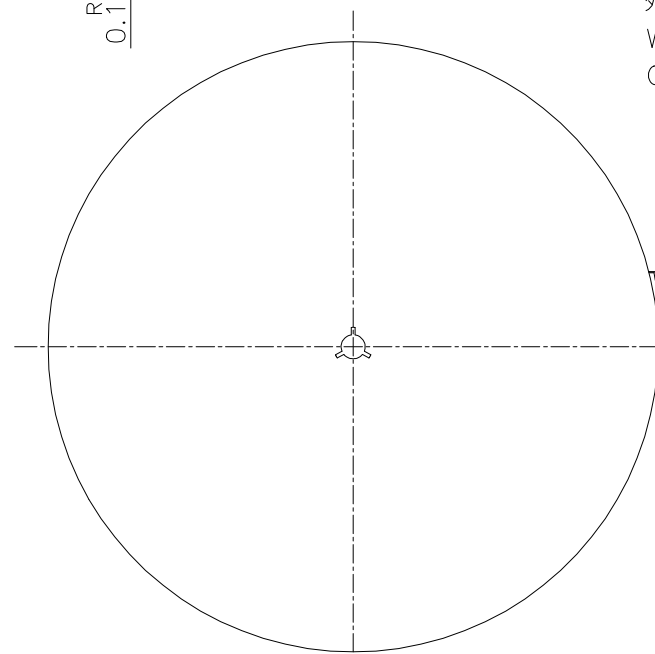
VACUUM AREA
COLOR : BLACK



カバーテープリーダー部
外周1巻
WIDE COVER TAPE AROUND
OUT PERIPHERY 1 TURN

剥離強度 0.1-1.3N MAX(300±10mm/min)
PEELING STRENGTH
剥離角度 165~180°
PEELING ANGLE

引き出し方向
TOP OF REEL



1000個/リール
1000EA/REEL

HOLES
8穴

空部
WITHOUT CHARGE
300mm程度
APPROX

製品装填部
WITH PRODUCT CHARGE

空部
WITHOUT CHARGE
600mm程度
APPROX

D

D

C

C

B

B

A

A

THIS DRAWING IS A CONTROLLED DOCUMENT.		DWN	TE Connectivity Ltd.		
DIMENSIONS: 単位: 耗 MM		CHK	NAME 名称		
TOLERANCES UNLESS OTHERWISE SPECIFIED: 一般公差		APVD	MICRO SD PUSH PUSH LOW PROFILE TYPE		
0 PLC ± 0.3 1 PLC ± 0.3 2 PLC ± 0.3 3 PLC ± 0.3 4 PLC ± 0.3 ANGLES ± 1°		PRODUCT SPEC 製品規格	SIZE	CAGE CODE	DRAWING NO 番号
MATERIAL 材料		FINISH 仕上	A3	00779	G=2201778
		WEIGHT	RESTRICTED TO		
		CUSTOMER DRAWING	SCALE 尺度	SHEET	REV
			2:1	5 of 5	C

X-ON Electronics

Largest Supplier of Electrical and Electronic Components

Click to view similar products for [Memory Card Connectors](#) category:

Click to view products by [TE Connectivity](#) manufacturer:

Other Similar products are found below :

[M21-033321-005](#) [6407-249V-25273P](#) [6407-249V-25343P](#) [6426-201-21343](#) [69.920.0553.0](#) [FCN-568P068-G/07-4V](#) [809180410000000](#)
[HMCAP001](#) [252-0144-000](#) [2041353-2](#) [33CFAE-DN](#) [502431-1011](#) [617230001](#) [NX1-32T-KT3K\(05\)](#) [95622-003LF](#) [N7E50-U516RB-50-](#)
[SIN0005](#) [95079-00CALF](#) [84648-056HLF](#) [33DVIR-29S12R](#) [125A-78C00](#) [MI20A-50PD-SF-EJL\(71\)](#) [KP10S-SF-PEJ\(812\)](#) [504536-0691](#)
[504580-0691](#) [CCM03-3109 B LFT](#) [MI21-50PD-SF\(91\)](#) [2309923-1](#) [61126-050CAHLF](#) [IC1GA-68PD-1.27DS-EJ\(72\)](#) [GTFP08432B1HR](#)
[G85DT17001P1EU](#) [G85B21611142HHR](#) [GSD090144HR](#) [G85D1140022P1HR](#) [GMCB05801124EU](#) [G85C11101152HHR](#)
[G85B231021B1HR](#) [G85D1160022HHR](#) [123A-21M00](#) [123A-30B00](#) [123A-30A00](#) [123A-21A00](#) [123A-21B00](#) [123A-21E00](#) [123A-30E00](#)
[123A-30M00](#) [123A-40A00](#) [123A-40E00](#) [123A-40M00](#) [123A-58B01](#)