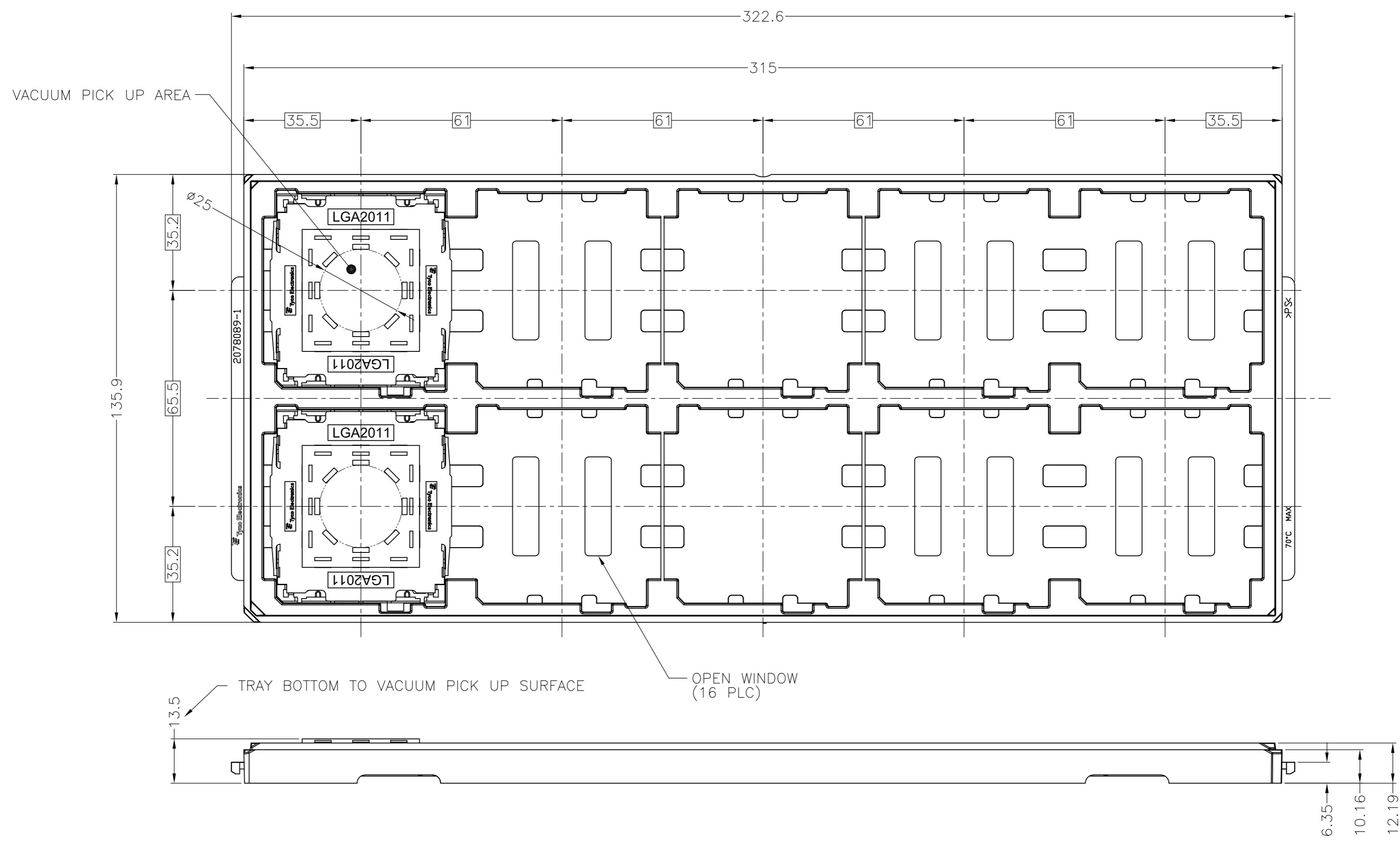


THIS DRAWING IS UNPUBLISHED. RELEASED FOR PUBLICATION  
 © COPYRIGHT - By Tyco Electronics Japan G.K. ALL RIGHTS RESERVED.

LOC	DIST	REVISIONS					
J	-	P	LTR	DESCRIPTION	DATE	DWN	APVD
		B3	REVISED		25MAR'15	J.W	C.W



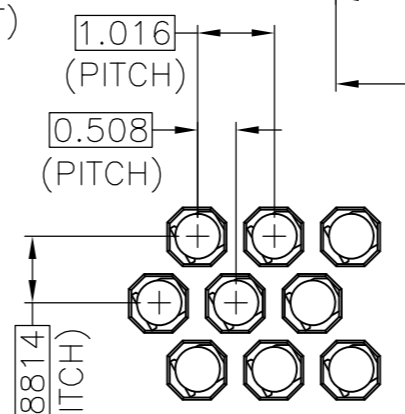
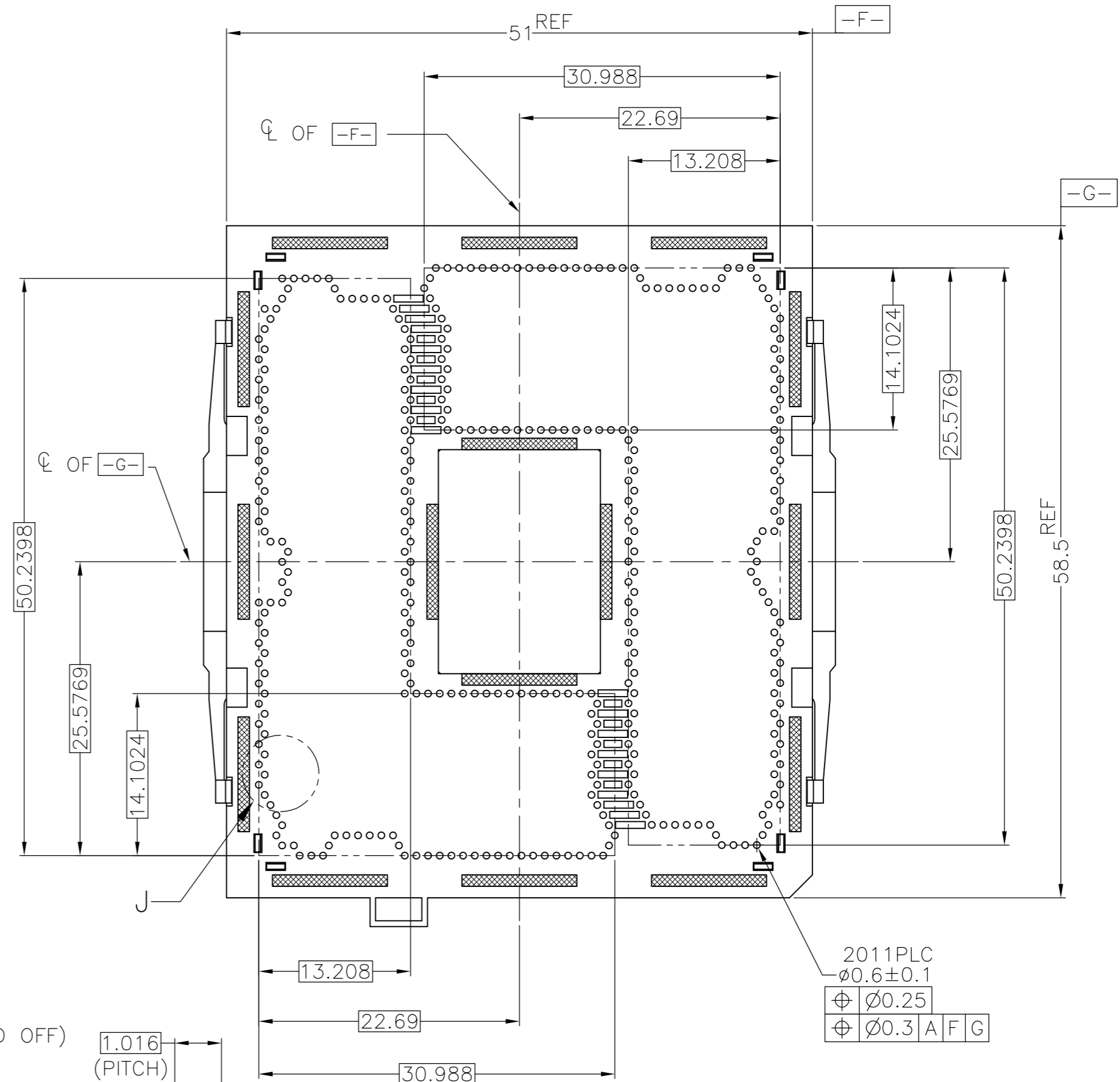
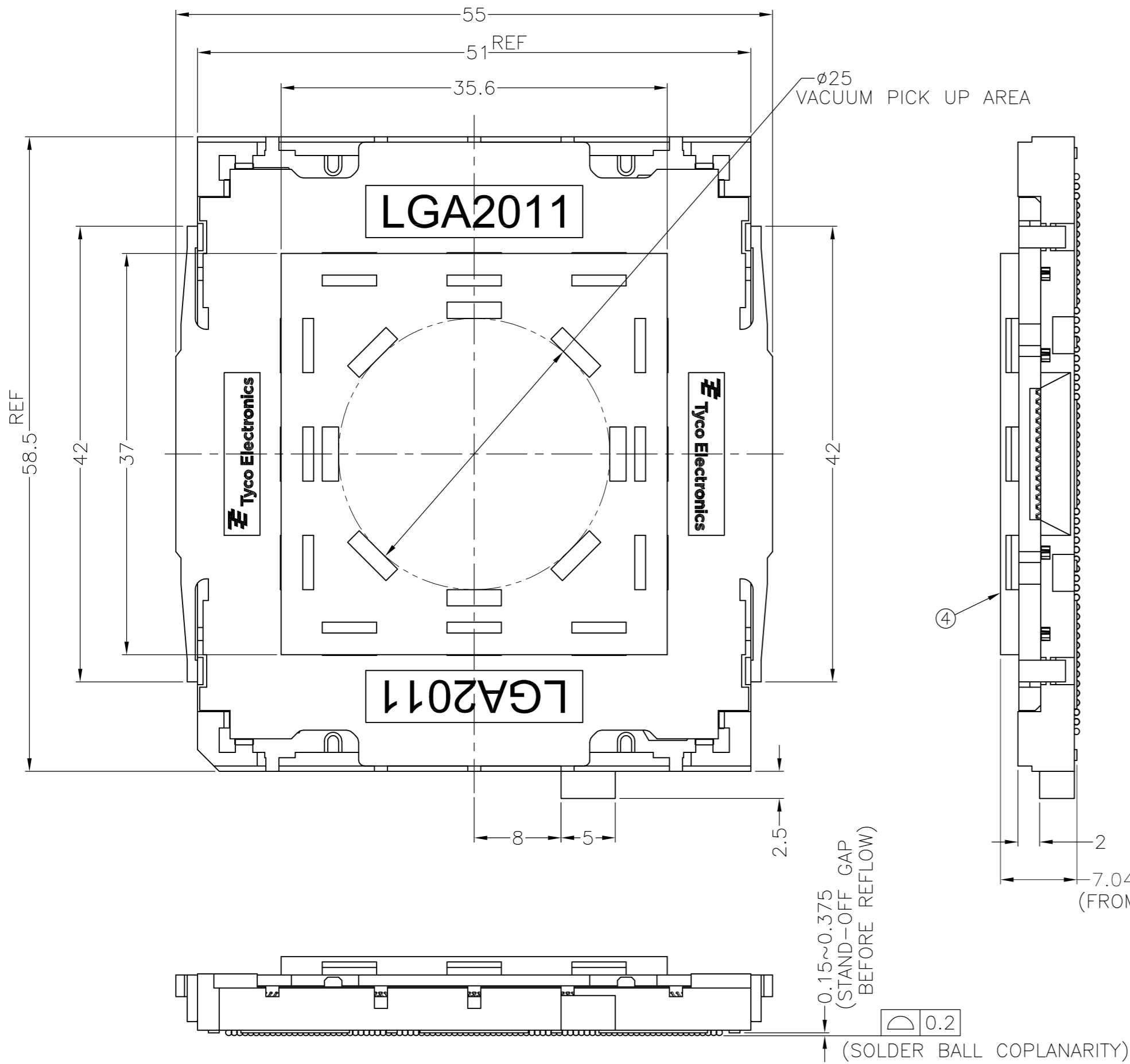
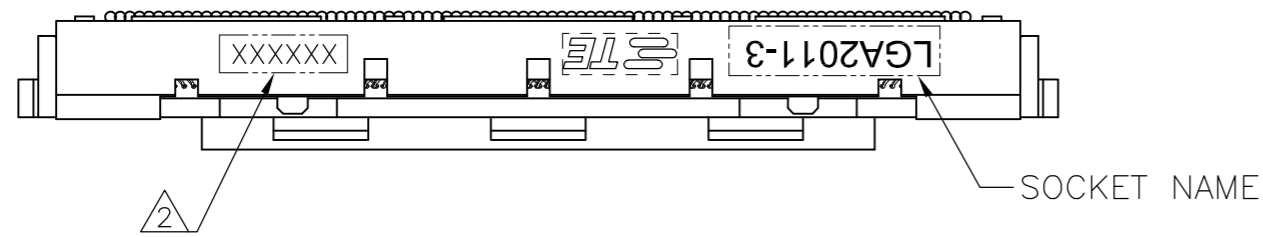
1. MATERIAL
- ① HOUSING : HIGH TEMP, THERMO-PLASTIC, UL94V-0, BLACK
  - ② CONTACT : COPPER ALLOY  
FINISH : Au PL. AT CONTACT AREA ON OVERALL OVER Ni UNDER PL. 0.00127 MIN.
  - ③ SOLDER BALL : Sn/Ag/Cu
  - ④ CAP : HIGH TEMP. THERMO-PLASTIC, UL94V-0, BLACK
- △ INDICATED DATE CODE ON THE HSG
3. PACKAGE TYPE: HARD TRAY, BLACK

2201838-2	LGA2011-3	0.76 um MIN Au PL
2201838-1	LGA2011-3	0.38 um MIN Au PL
PART NUMBER	SOCKET NAME	DESCRIPTION

THIS DRAWING IS A CONTROLLED DOCUMENT.		DWN M.L	04MAR2013	<b>TE</b> TE Connectivity	
DIMENSIONS: 単位: 純 mm		CHK H.TAGUCHI	04MAR2013		
TOLERANCES UNLESS OTHERWISE SPECIFIED: 一般公差		APVD T.NAKASHIMA	04MAR2013	NAME 名称	
0-PLC ± ±0.5		PRODUCT SPEC 製品規格		SOCKET ASSY LGA2011-3	
1-PLC ± ±3'		APPLICATION SPEC 取付適用規格		SIZE A2	
2-PLC ± ±3'		WEIGHT 19.1g		CAGE CODE 00779	DRAWING NO 番号 C=2201838
3-PLC ± ±		CUSTOMER DRAWING		SCALE 尺度 NTS	SHEET 1 of 4
4-PLC ± ±				REV B3	RESTRICTED TO -
FINISH 仕上					

THIS DRAWING IS UNPUBLISHED. RELEASED FOR PUBLICATION  
 © COPYRIGHT - By Tyco Electronics Japan G.K. ALL RIGHTS RESERVED.

LOC	DIST	REVISONS					
J	-	P	LTR	DESCRIPTION	DATE	DWN	APVD
		-	-	SEE SHEET 1	-	-	-



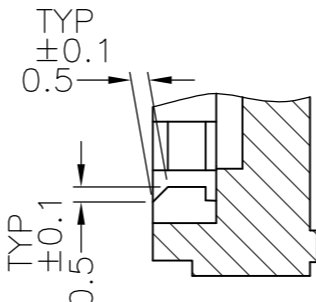
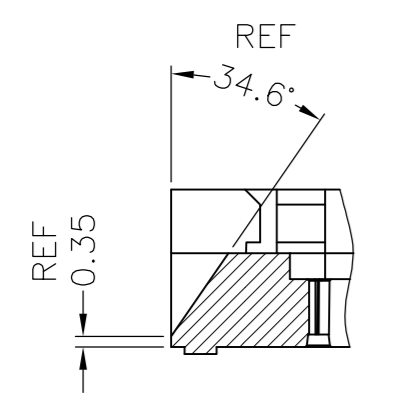
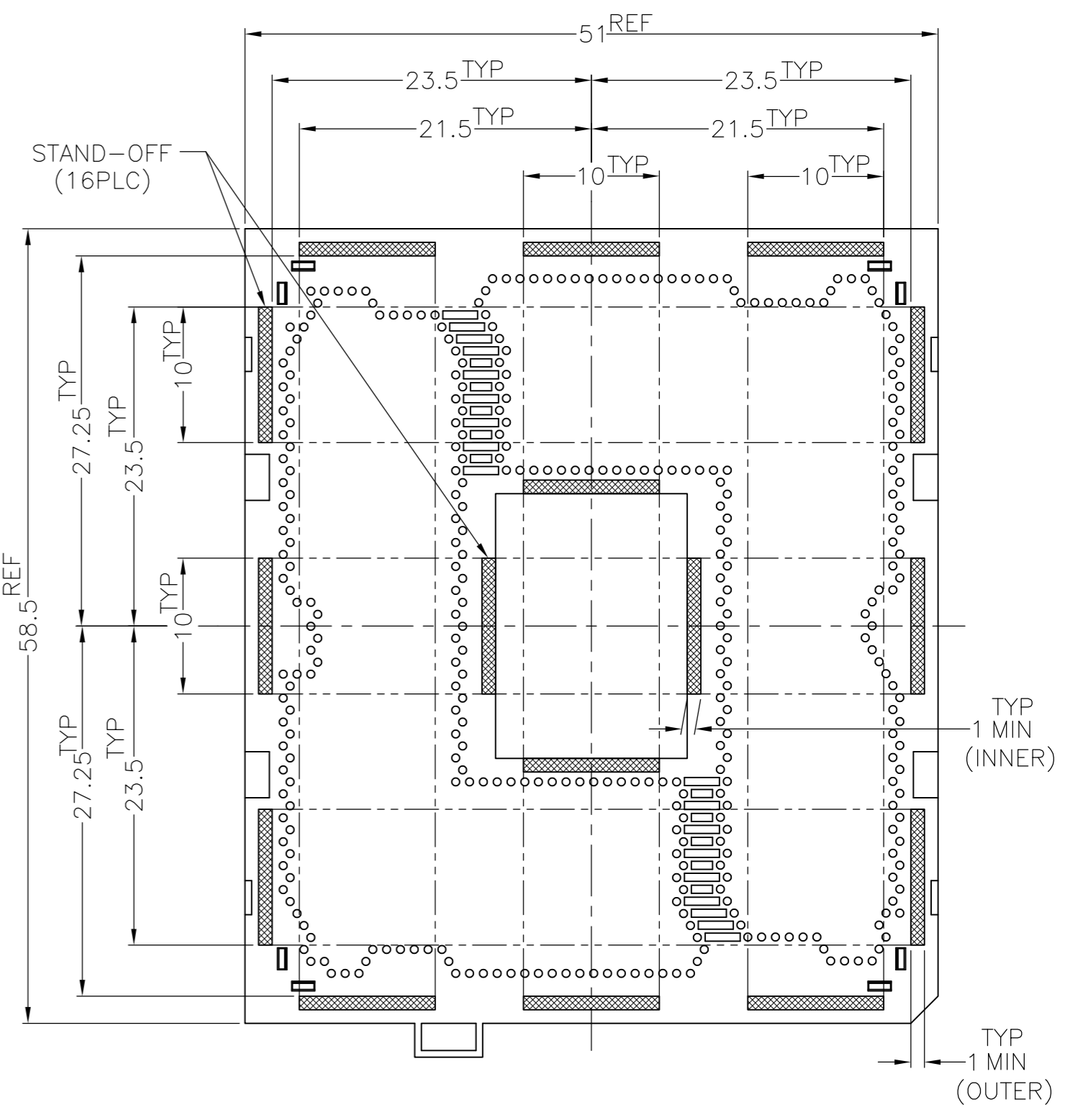
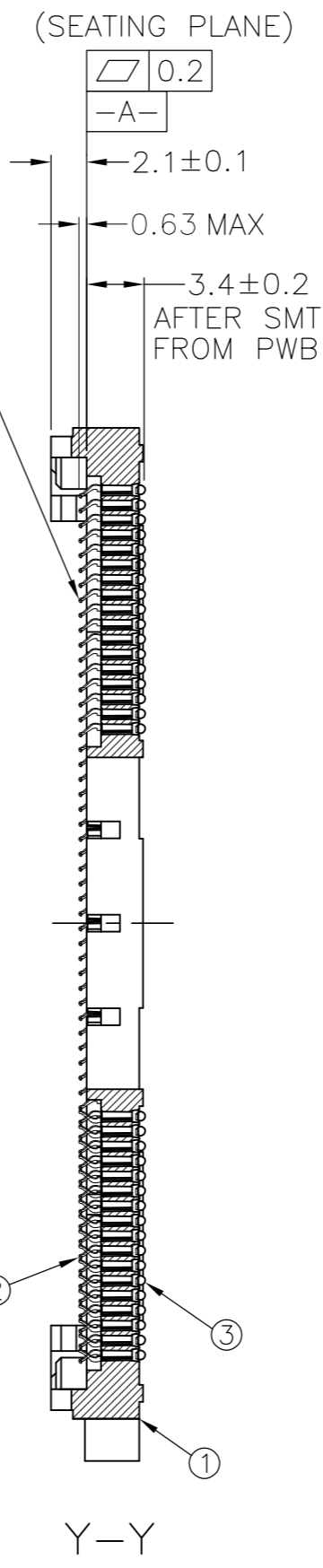
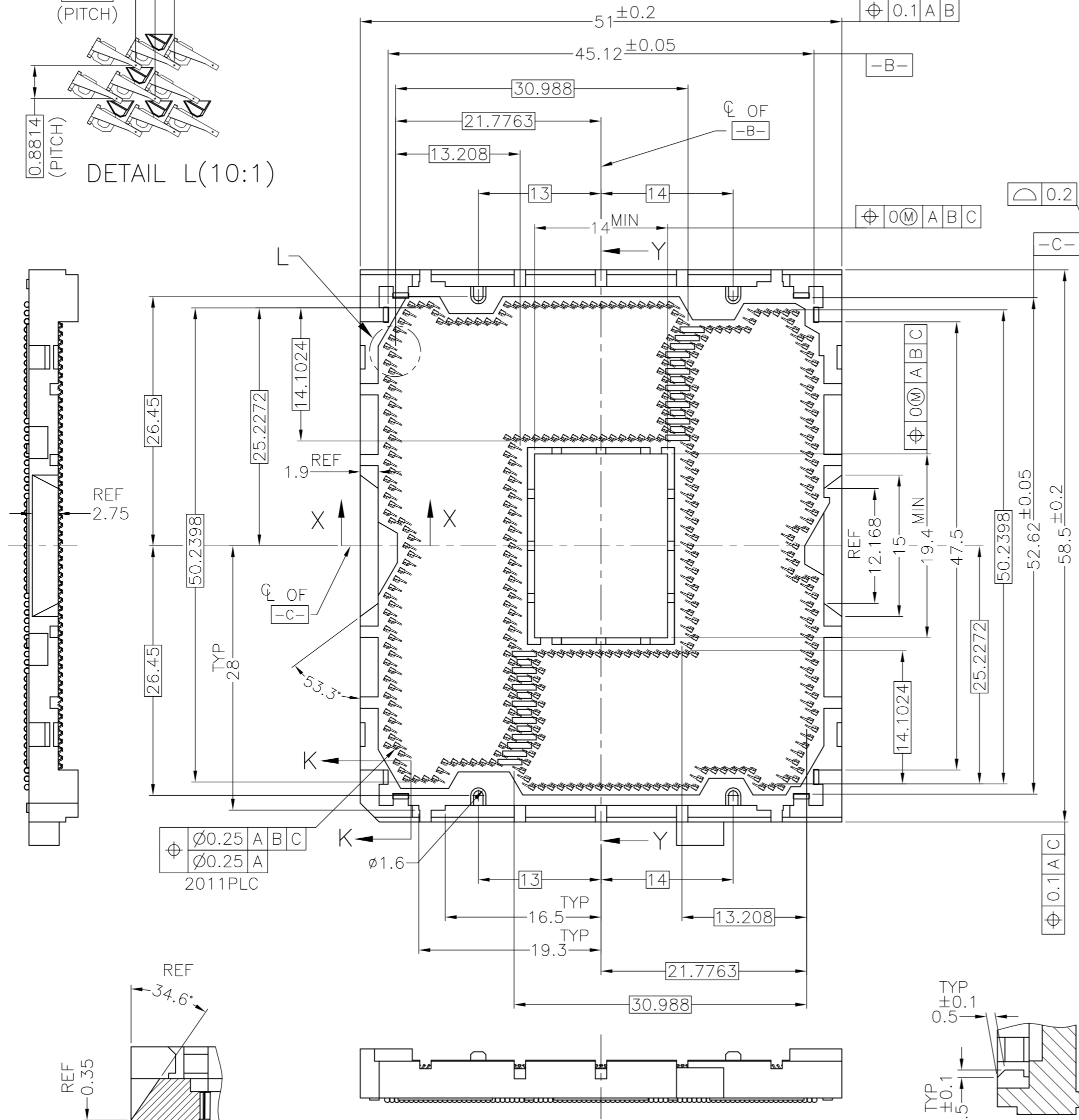
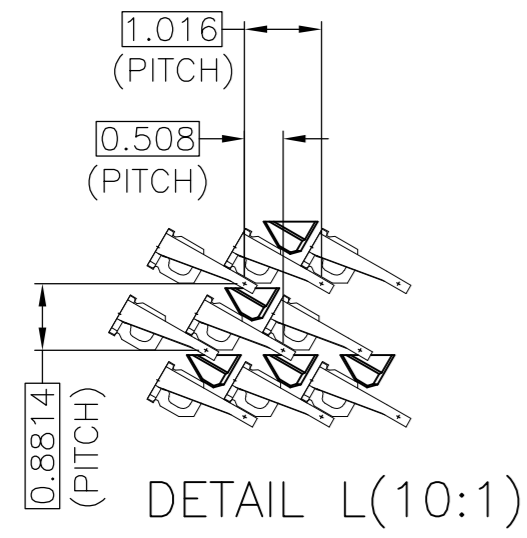
DETAIL J(10:1)

P/N: 2201838-\* AS SHOWN

THIS DRAWING IS A CONTROLLED DOCUMENT.		DWN	-	TE Connectivity NAME SOCKET ASSY LGA2011-3	
DIMENSIONS: 単位: 寸 mm		CHK	-		
TOLERANCES UNLESS OTHERWISE SPECIFIED: 一般公差		APVD	-	SIZE	A2
Ø PLC ± ±0.3 1 PLC ± ±0.3 2 PLC ± ±0.3 3 PLC ± ±0.3 4 PLC ± ±0.3 ANGLES ± ±0.3		PRODUCT SPEC	-	CAGE CODE	00779
MATERIAL 材料		APPLICATION SPEC	-	DRAWING NO	C=2201838
FINISH 仕上		WEIGHT	-	RESTRICTED TO	-
		CUSTOMER DRAWING		SCALE	NTS
				SHEET	2 of 4
				REV	B3

THIS DRAWING IS UNPUBLISHED. RELEASED FOR PUBLICATION  
 © COPYRIGHT - By Tyco Electronics Japan G.K. ALL RIGHTS RESERVED.

LOC		DIST		REVISIONS			DATE	DWN	APVD
P	LTR	DESCRIPTION							
-	-	SEE SHEET 1			-	-	-	-	-



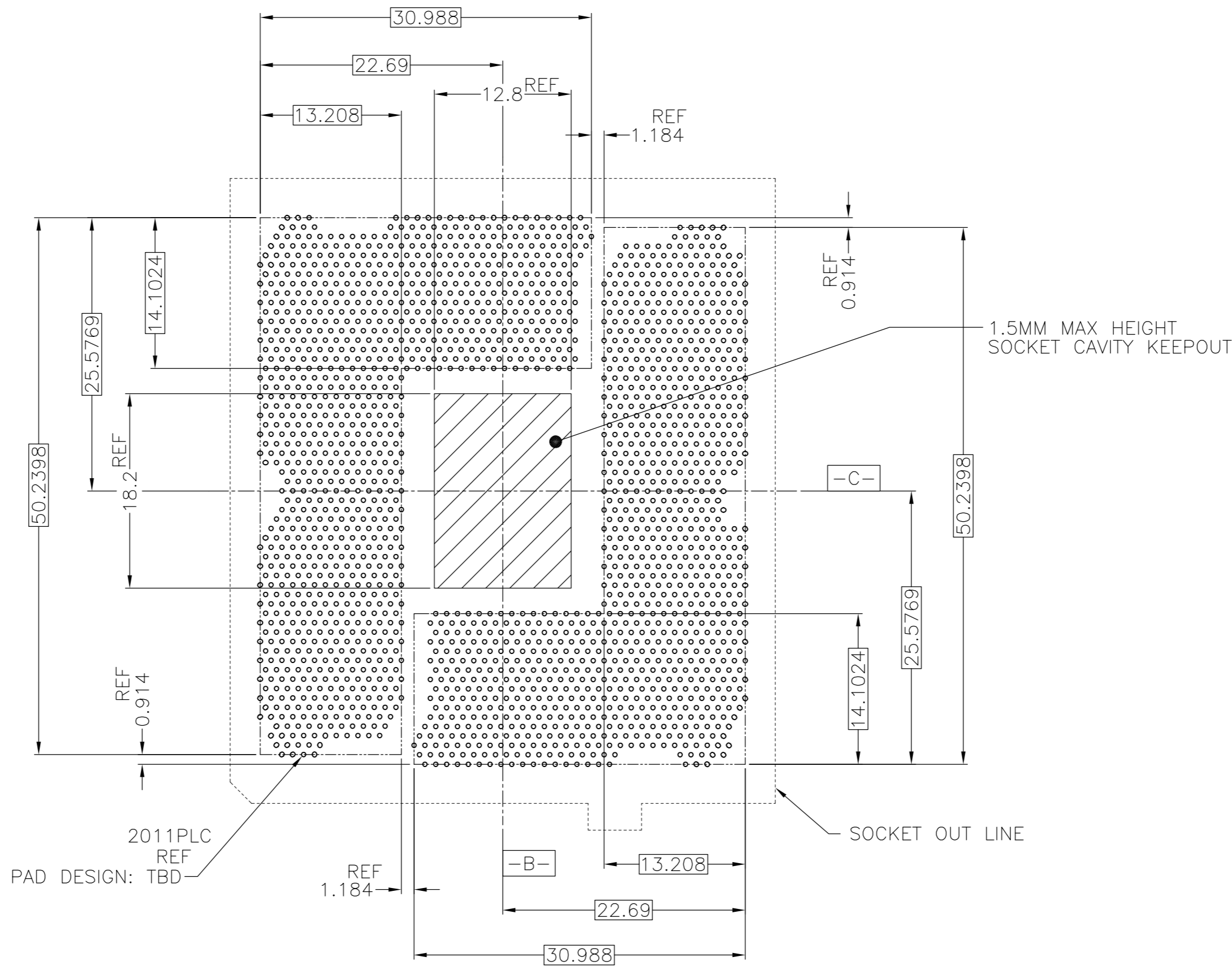
K-K (4:1)  
 DATUM WALL CHAMFER  
 8 LOCATIONS

P/N: 2201838-\* AS SHOWN

THIS DRAWING IS A CONTROLLED DOCUMENT.		DWN	TE Connectivity	
DIMENSIONS: 単位: 寸 mm		CHK	SOCKET ASSY LGA2011-3	
TOLERANCES UNLESS OTHERWISE SPECIFIED: 一般公差		APVD	SIZE	RESTRICTED TO
1 PLG	±0.3	PRODUCT SPEC	A2	-
2 PLG	±0.3	APPLICATION SPEC	CAGE CODE	
3 PLG	±0.3	取付適用規格	00779	
4 PLG	±0.3	WEIGHT	DRAWING NO	
ANGLES	±	CUSTOMER DRAWING	C=2201838	
MATERIAL	FINISH	SCALE	SHEET	REV
		NTS	3 of 4	B3

THIS DRAWING IS UNPUBLISHED. RELEASED FOR PUBLICATION  
 © COPYRIGHT - By Tyco Electronics Japan G.K. ALL RIGHTS RESERVED.

LOC	DIST	REVISIONS					
J	-	P	LTR	DESCRIPTION	DATE	DWN	APVD
		-	-	SEE SHEET 1	-	-	-



REFERENCE PATTERN LAYOUT

FOR GENERAL BOARD DESIGN, PLEASE REFER TO THE THERMAL AND MECHANICAL DESIGN GUIDELINES(TMDG) PROVIDED BY INTEL CORPORATION

THIS DRAWING IS A CONTROLLED DOCUMENT.		DWN	-	<b>TE</b> TE Connectivity	
DIMENSIONS: 単位: 寸 mm		CHK	-		
TOLERANCES UNLESS OTHERWISE SPECIFIED: 一般公差		APVD	-	NAME 名称	
0-PLC ±		PRODUCT SPEC 製品規格		SOCKET ASSY	
1-PLC ±		APPLICATION SPEC 取付適用規格		LGA2011-3	
2-PLC ±		WEIGHT	-	SIZE	A2
3-PLC ±		CUSTOMER DRAWING		CAGE CODE	00779
4-PLC ±		SCALE 尺度		DRAWING NO 番号	C=2201838
ANGLES ±		SHEET		RESTRICTED TO	-
FINISH 仕上		NTS		REV B3	
		4 OF 4			

## X-ON Electronics

Largest Supplier of Electrical and Electronic Components

*Click to view similar products for IC & Component Sockets category:*

*Click to view products by TE Connectivity manufacturer:*

Other Similar products are found below :

[0066-3-17-15-30-14-02-0](#) [670](#) [672](#) [673](#) [694-13-640-00-672-000](#) [712-93-120-41-001000](#) [714-93-104-31-018000](#) [8059-4G1-LF](#) [807-22-001-10-001101](#) [807-22-001-10-006101](#) [807-22-001-30-011101](#) [807-22-001-30-012101](#) [807-22-001-30-013101](#) [807-22-001-30-014101](#) [8-1437531-4](#) [8150-6P10](#) [833-93-034-10-001000](#) [851-41-006-10-001000](#) [851-43-008-20-001000](#) [851-43-014-20-001000](#) [851-93-006-20-001000](#) [851-93-010-20-001000](#) [853-43-020-10-001000](#) [86.010.0053.0](#) [116-43-308-41-007000](#) [PX-68LCC](#) [121-13-318-41-001000](#) [121-13-320-41-001000](#) [121-13-308-41-001000](#) [123-43-314-41-801000](#) [123-43-420-41-001000](#) [122-13-316-41-001000](#) [123-13-624-41-001000](#) [123-43-306-41-001000](#) [12-3513-11](#) [123-91-320-41-001000](#) [126-43-310-41-002000](#) [AKSUN 37V-T](#) [1437503-9](#) [1437504-1](#) [146-44-308-41-013000](#) [146-43-308-41-012000](#) [160-10-308-00-001000](#) [160-40-320-00-001000](#) [214-99-306-01-670800](#) [232-1270-02-0602](#) [2-382761-4](#) [2-5331677-4](#) [2-640360-3](#) [2801-2-00-50-00-00-07-0](#)