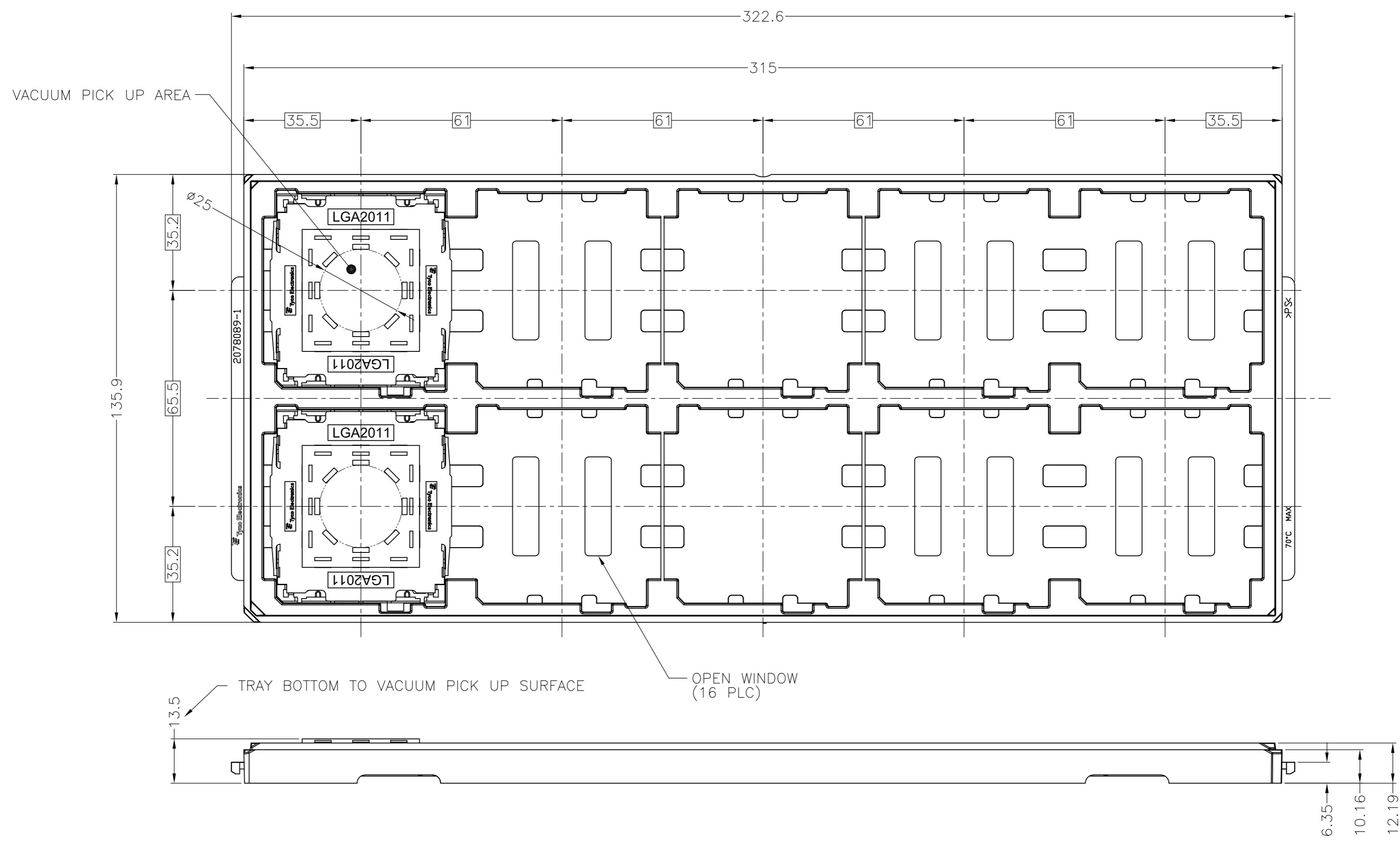


THIS DRAWING IS UNPUBLISHED. RELEASED FOR PUBLICATION
 © COPYRIGHT - By Tyco Electronics Japan G.K. ALL RIGHTS RESERVED.

LOC	DIST	REVISIONS		
J	-	P	LTR	DESCRIPTION
		B3	REVISED	DATE
				DWN
				APVD
				25MAR'15
				J.W
				C.W



2201838-2	LGA2011-3	0.76 um MIN Au PL
2201838-1	LGA2011-3	0.38 um MIN Au PL
PART NUMBER	SOCKET NAME	DESCRIPTION

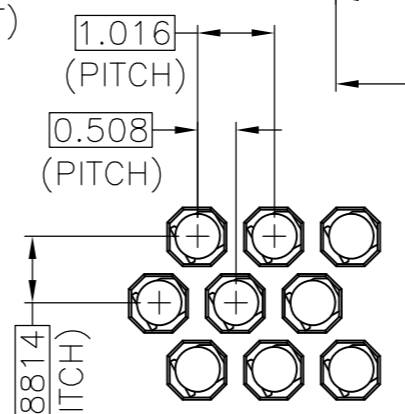
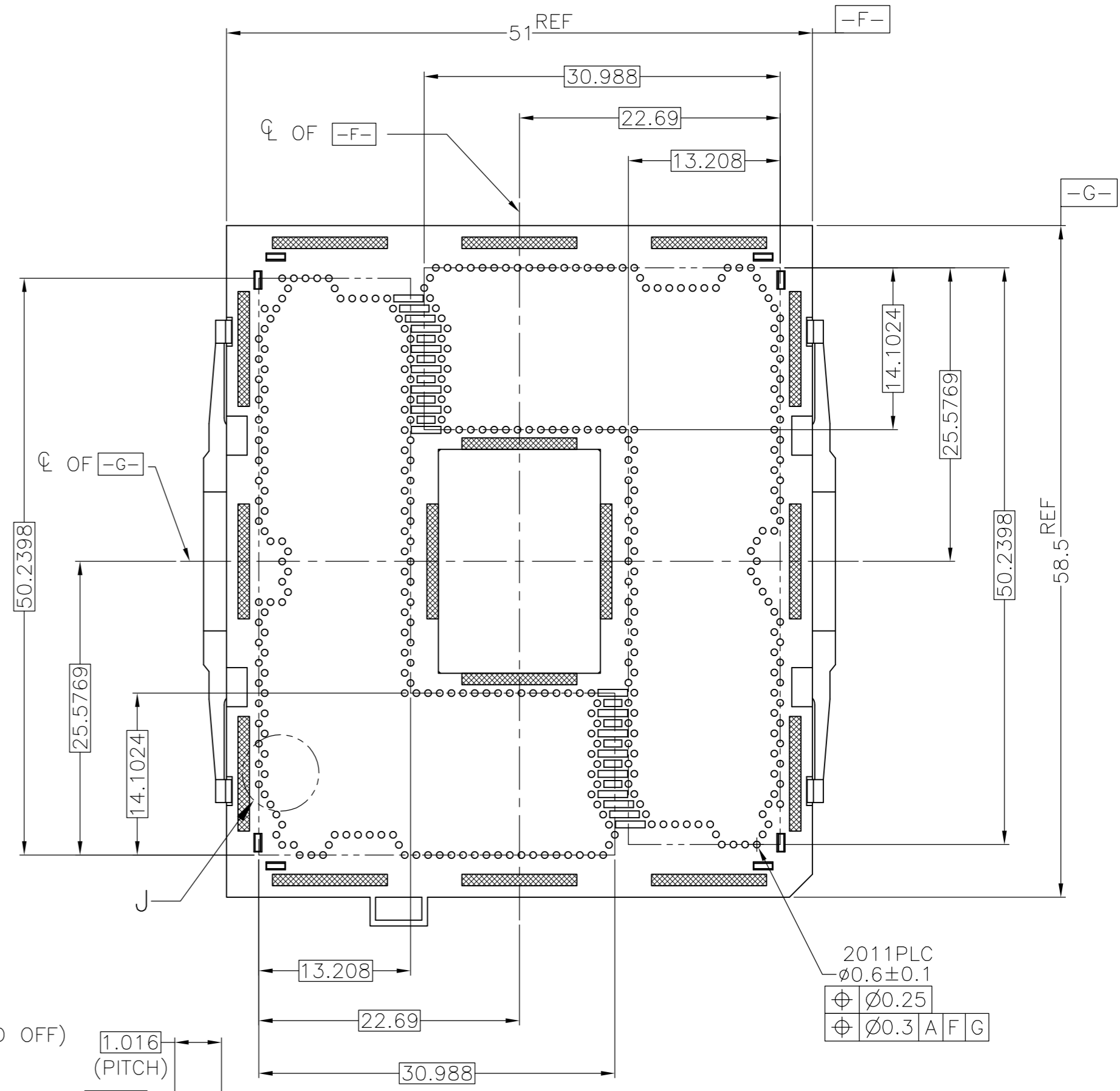
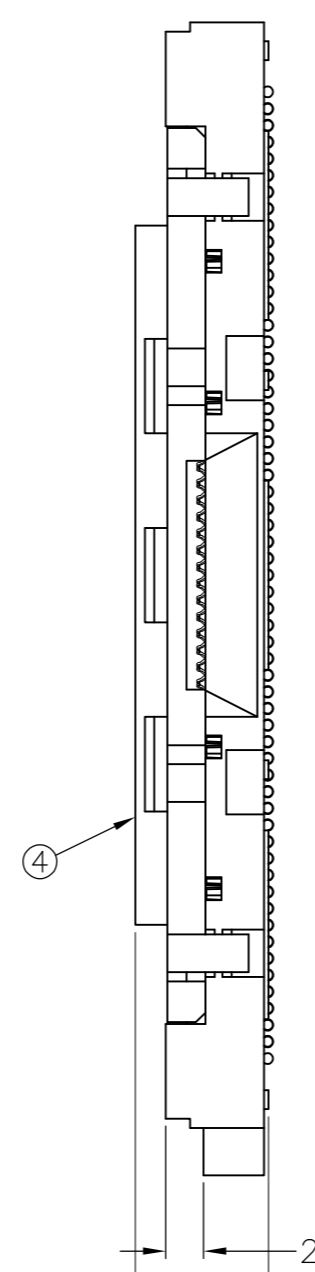
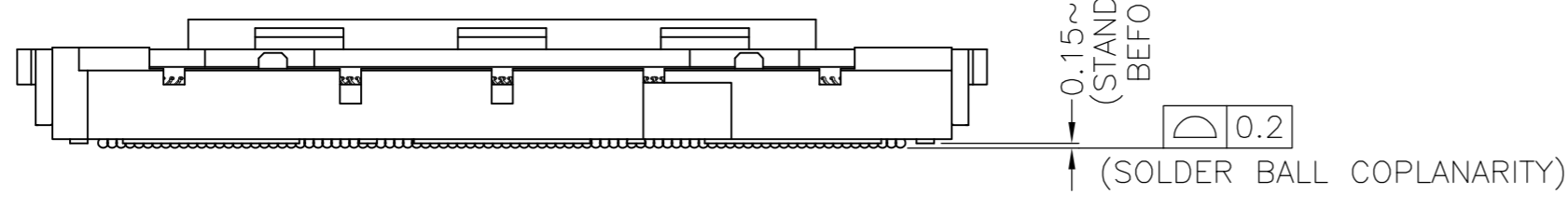
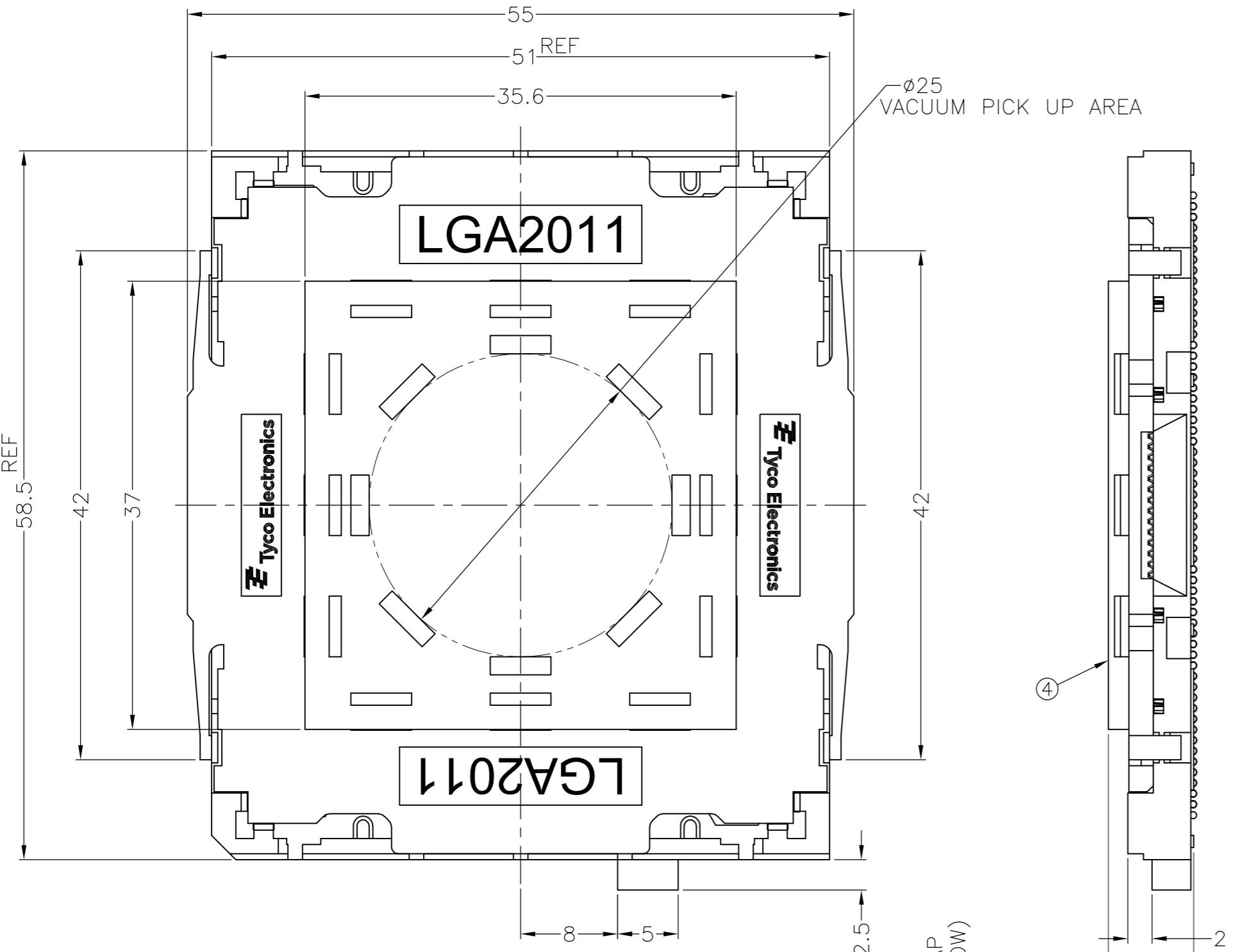
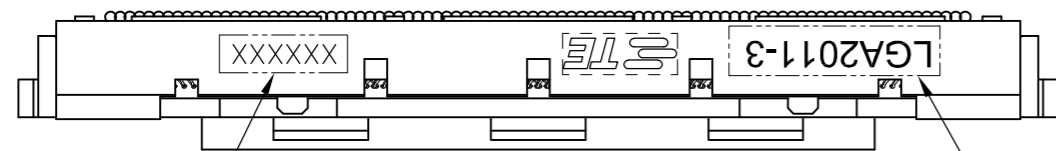
1. MATERIAL
- ① HOUSING : HIGH TEMP, THERMO-PLASTIC, UL94V-0, BLACK
 - ② CONTACT : COPPER ALLOY
FINISH : Au PL. AT CONTACT AREA ON OVERALL OVER Ni UNDER PL. 0.00127 MIN.
 - ③ SOLDER BALL : Sn/Ag/Cu
 - ④ CAP : HIGH TEMP. THERMO-PLASTIC, UL94V-0, BLACK
- △ INDICATED DATE CODE ON THE HSG
3. PACKAGE TYPE: HARD TRAY, BLACK

THIS DRAWING IS A CONTROLLED DOCUMENT.

DWN	M.L	04MAR2013	TE TE Connectivity
CHK	H.TAGUCHI	04MAR2013	
APVD	T.NAKASHIMA	04MAR2013	NAME
PRODUCT SPEC	製品規格	108-78750	SOCKET ASSY
APPLICATION SPEC	取付適用規格	114-5474	LGA2011-3
WEIGHT	19.1g	SIZE	A2
CUSTOMER DRAWING		CAGE CODE	00779
		DRAWING NO	2201838
		SCALE	NTS
		SHEET	1 of 4
		REV	B3

THIS DRAWING IS UNPUBLISHED. RELEASED FOR PUBLICATION
 © COPYRIGHT - By Tyco Electronics Japan G.K. ALL RIGHTS RESERVED.

LOC	DIST	REVISONS					
J	-	P	LTR	DESCRIPTION	DATE	DWN	APVD
		-	-	SEE SHEET 1	-	-	-



DETAIL J(10:1)

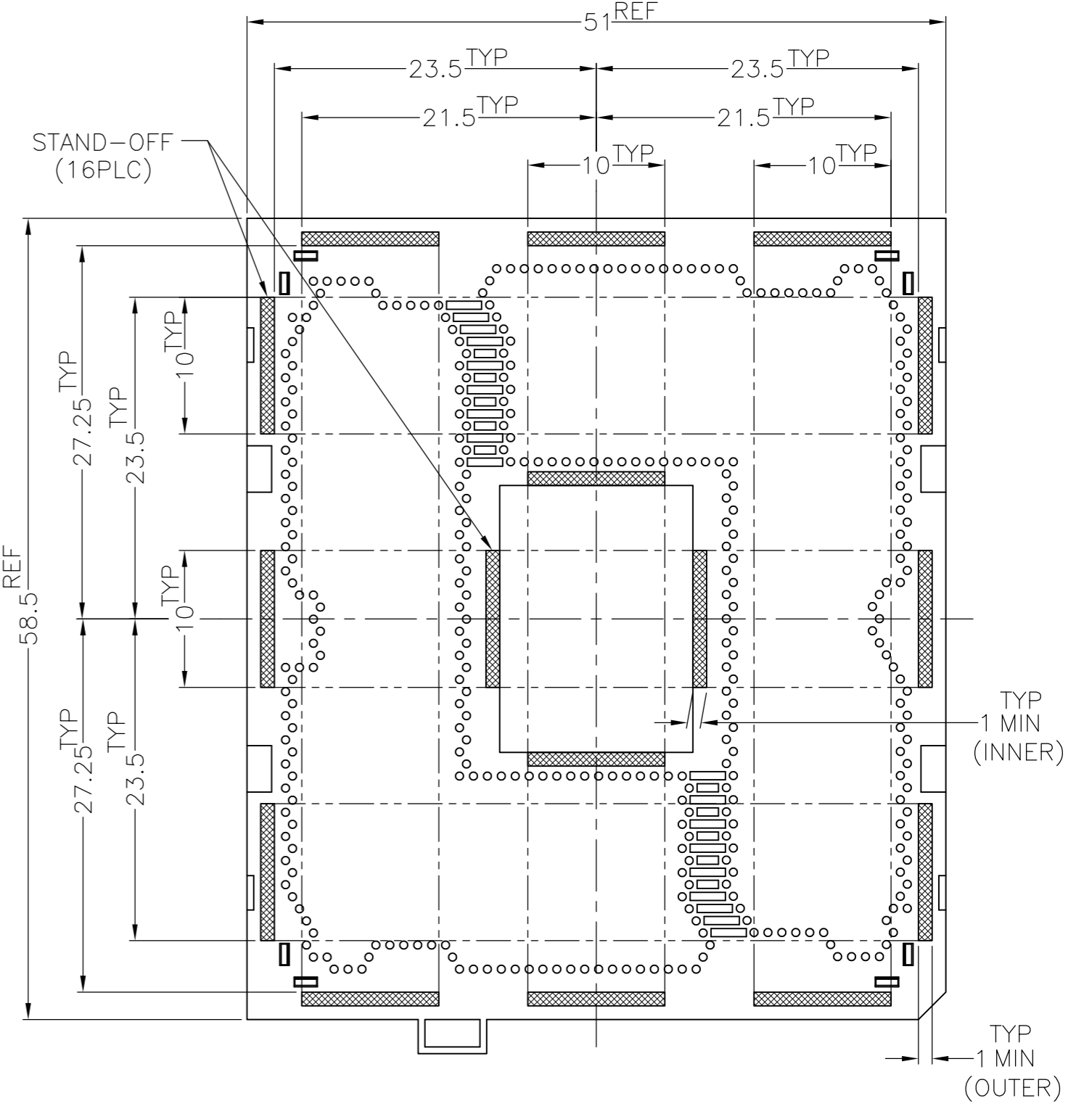
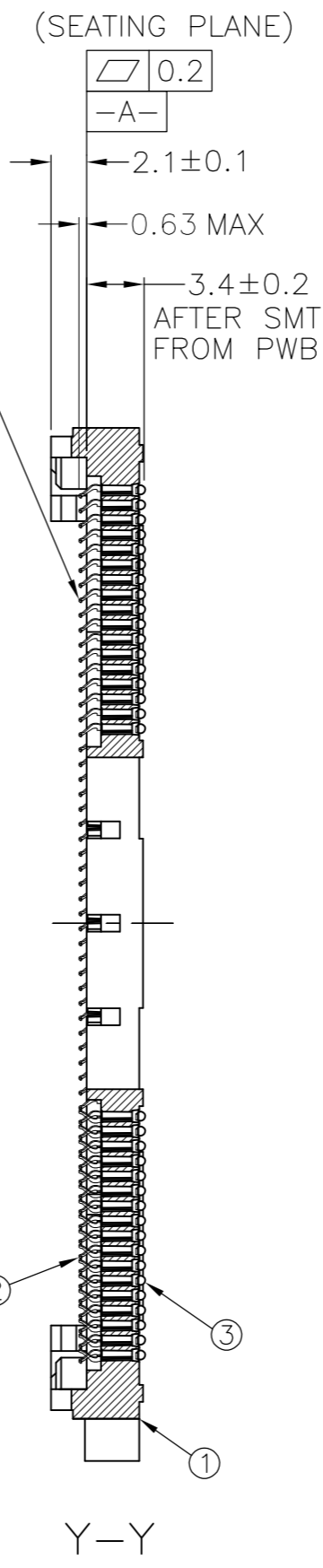
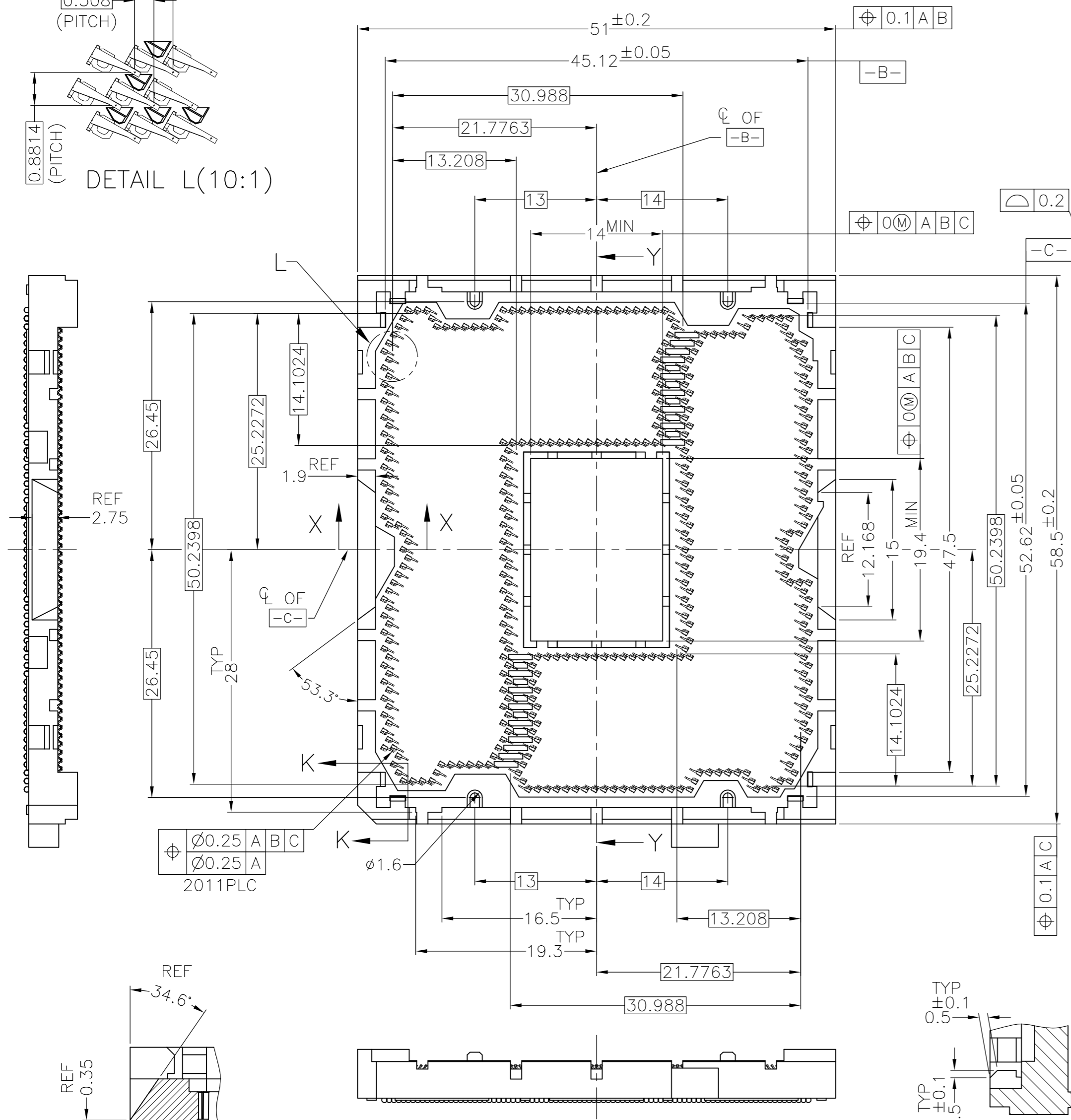
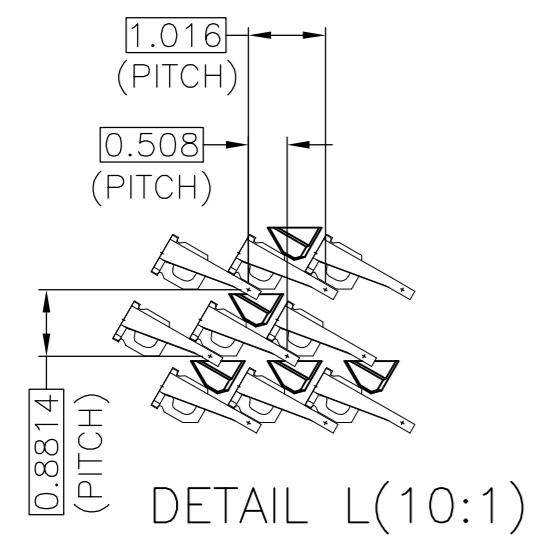
2011PLC	Ø0.6±0.1
⊕	Ø0.25
⊕	Ø0.3 A F G

P/N: 2201838-* AS SHOWN

THIS DRAWING IS A CONTROLLED DOCUMENT.		DWN	-	TE Connectivity	
DIMENSIONS: 単位: 寸 mm		CHK	-	NAME 名称	
TOLERANCES UNLESS OTHERWISE SPECIFIED: 一般公差		APVD	-	PRODUCT SPEC 製品規格	
⊕	PLC ±0.3	APPLICATION SPEC 取付適用規格	-	SIZE	CAGE CODE
⊕	PLC ±0.3	WEIGHT	-	A2	00779
⊕	PLC ±0.3	DRAWING NO 番号		C=2201838	
⊕	PLC ±0.3	RESTRICTED TO		-	
⊕	ANGLES ±	SCALE 尺度		NTS	
MATERIAL 材料	FINISH 仕上	SHEET		2 of 4	
CUSTOMER DRAWING		REV		B3	

THIS DRAWING IS UNPUBLISHED. RELEASED FOR PUBLICATION
 © COPYRIGHT - By Tyco Electronics Japan G.K. ALL RIGHTS RESERVED.

LOC	DIST	REVISIONS			DATE	DWN	APVD
		P	LTR	DESCRIPTION			
J	-	-	-	SEE SHEET 1	-	-	-



X-X (4:1)

K-K (4:1)
 DATUM WALL CHAMFER
 8 LOCATIONS

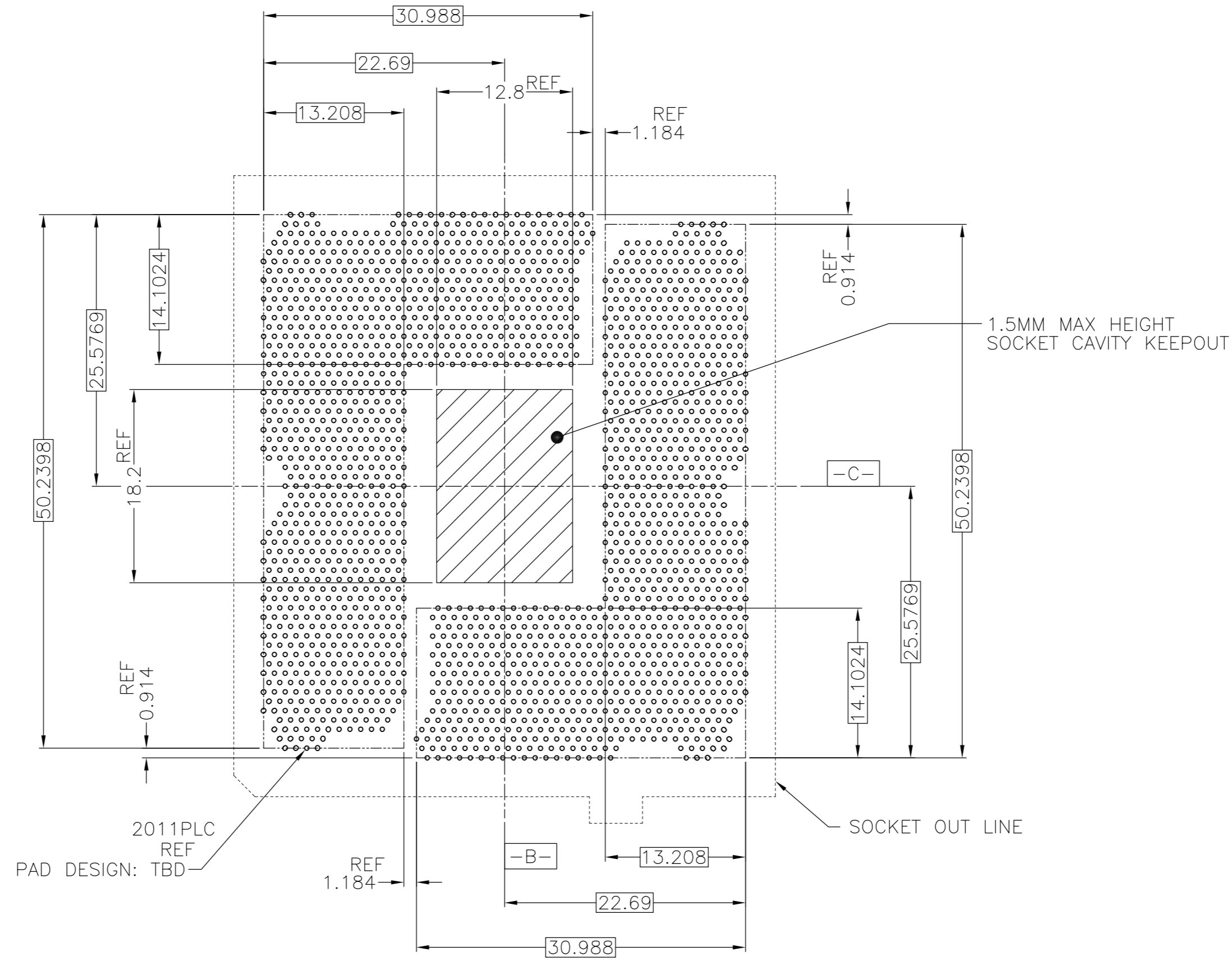
P/N: 2201838-* AS SHOWN

THIS DRAWING IS A CONTROLLED DOCUMENT.			DWN	TE Connectivity SOCKET ASSY LGA2011-3
DIMENSIONS: 単位: 桁 mm			CHK	
TOLERANCES UNLESS OTHERWISE SPECIFIED: 一般公差 ⌀ PLG ± ±0.3 ± PLG ± ±0.3 ± PLG ± ±0.3 ± PLG ± ±0.3 ANGLES ± ±			APVD	
			NAME	
MATERIAL 材料			FINISH 仕上	
SIZE A2		CAGE CODE 00779	DRAWING NO 番号 C=2201838	RESTRICTED TO
SCALE 尺度 NTS		SHEET 3 OF 4		REV B3

2201838

THIS DRAWING IS UNPUBLISHED. RELEASED FOR PUBLICATION
 © COPYRIGHT - By Tyco Electronics Japan G.K. ALL RIGHTS RESERVED.

LOC		DIST		REVISIONS					
J		-		P	LTR	DESCRIPTION	DATE	DWN	APVD
				-	-	SEE SHEET 1	-	-	-



REFERENCE PATTERN LAYOUT

FOR GENERAL BOARD DESIGN, PLEASE REFER TO THE THERMAL AND MECHANICAL DESIGN GUIDELINES(TMDG) PROVIDED BY INTEL CORPORATION

THIS DRAWING IS A CONTROLLED DOCUMENT.		DWN	-	TE TE Connectivity	
DIMENSIONS: 単位: 寸 mm		CHK	-		
TOLERANCES UNLESS OTHERWISE SPECIFIED: 一般公差		APVD	-	NAME 名称	
0-PLC ±		PRODUCT SPEC 製品規格		SOCKET ASSY	
1-PLC ±		APPLICATION SPEC 取付適用規格		LGA2011-3	
2-PLC ±		WEIGHT	-	SIZE	A2
3-PLC ±		CUSTOMER DRAWING		CAGE CODE	00779
4-PLC ±		SCALE 尺度		DRAWING NO 番号	C=2201838
ANGLES ±		SHEET		RESTRICTED TO	-
FINISH 仕上		NTS		REV	B3

X-ON Electronics

Largest Supplier of Electrical and Electronic Components

Click to view similar products for [IC & Component Sockets](#) category:

Click to view products by [TE Connectivity](#) manufacturer:

Other Similar products are found below :

[0066-3-17-15-30-14-02-0](#) [670](#) [672](#) [673](#) [694-13-640-00-672-000](#) [712-93-120-41-001000](#) [714-93-104-31-018000](#) [8059-4G1-LF](#) [807-22-001-10-001101](#) [807-22-001-10-006101](#) [807-22-001-30-011101](#) [807-22-001-30-012101](#) [807-22-001-30-013101](#) [807-22-001-30-014101](#) [8-1437531-4](#) [8150-6P10](#) [833-93-034-10-001000](#) [851-41-006-10-001000](#) [851-43-008-20-001000](#) [851-43-014-20-001000](#) [851-93-006-20-001000](#) [851-93-010-20-001000](#) [853-43-020-10-001000](#) [86.010.0053.0](#) [116-43-308-41-007000](#) [PX-68LCC](#) [121-13-318-41-001000](#) [121-13-320-41-001000](#) [121-13-308-41-001000](#) [123-43-314-41-801000](#) [123-43-420-41-001000](#) [123-87-320-41-001101](#) [122-13-316-41-001000](#) [123-13-624-41-001000](#) [123-43-306-41-001000](#) [12-3513-11](#) [123-91-320-41-001000](#) [126-43-310-41-002000](#) [AKSUN 37V-T](#) [1437503-9](#) [1437504-1](#) [146-44-308-41-013000](#) [APO-320-G-T](#) [146-43-308-41-012000](#) [160-10-308-00-001000](#) [160-40-320-00-001000](#) [214-99-306-01-670800](#) [232-1270-02-0602](#) [2-382761-4](#) [2-5331677-4](#)