

THIS DRAWING IS UNPUBLISHED.

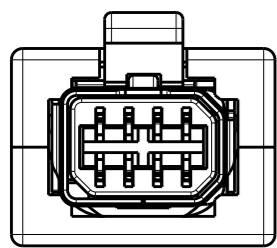
RELEASED FOR PUBLICATION

12JUN2012

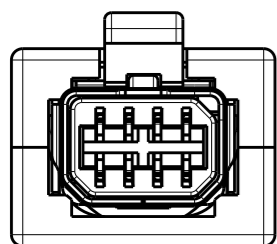
© COPYRIGHT 2012 BY Tyco Electronics Japan G.K. ALL RIGHTS RESERVED.

LOC	DIST	REVISIONS					
		P	LTR	DESCRIPTION	DATE	DWN	APVD
J	-		A	RELEASED	06DEC2013	T.S	N.Y
			B	ADD ITEM	18NOV2014	T.S	N.Y
			C	RELEASED PER ECR-18-015311	26SEP2018	PP	RB

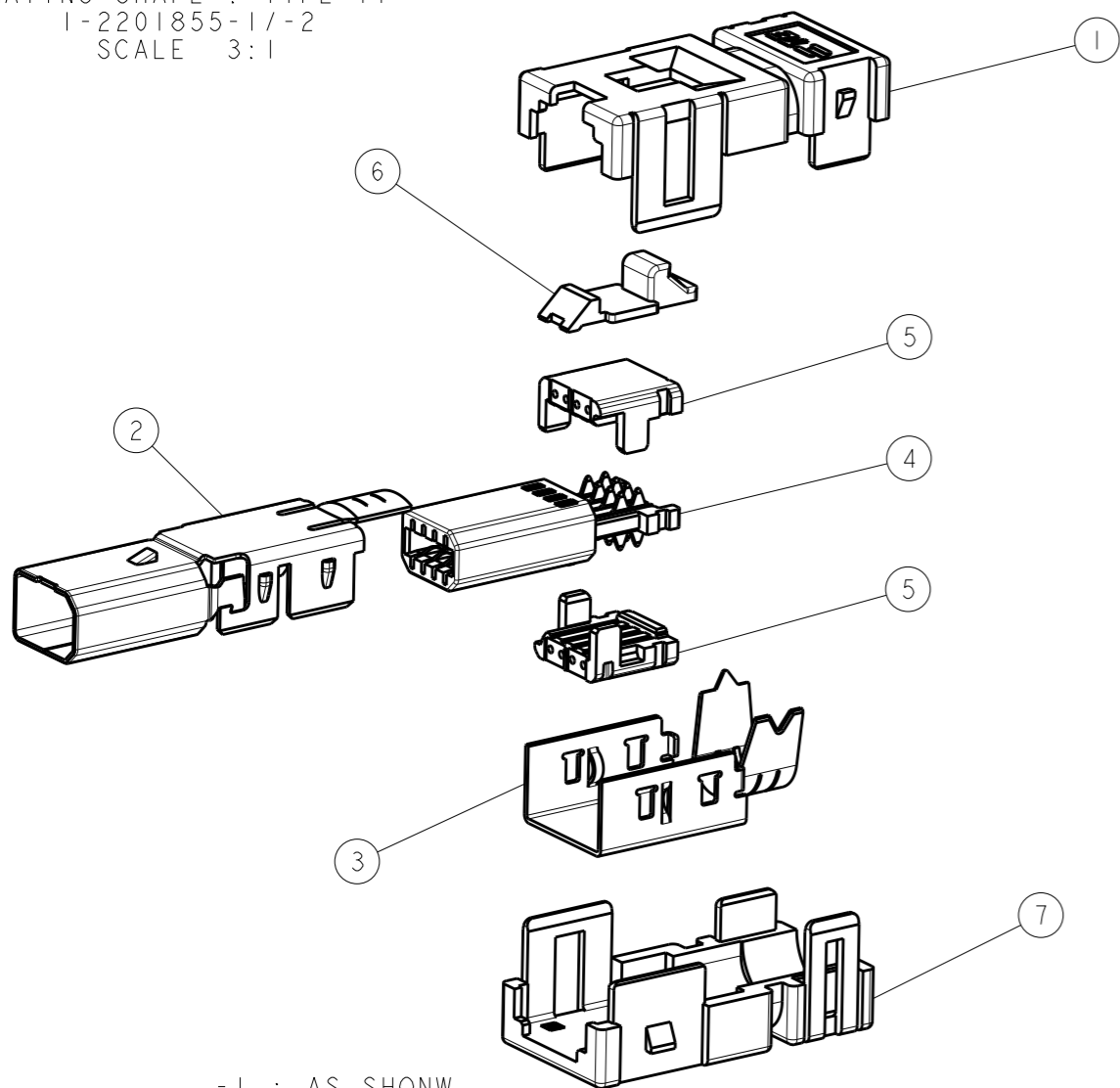
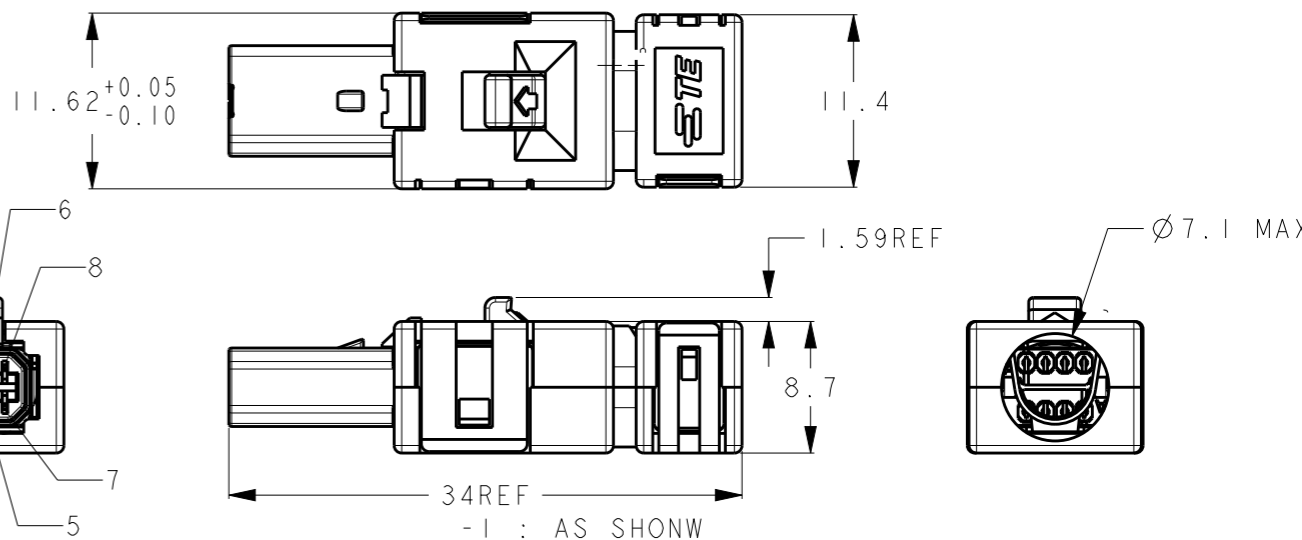
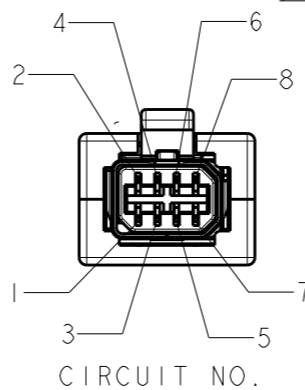
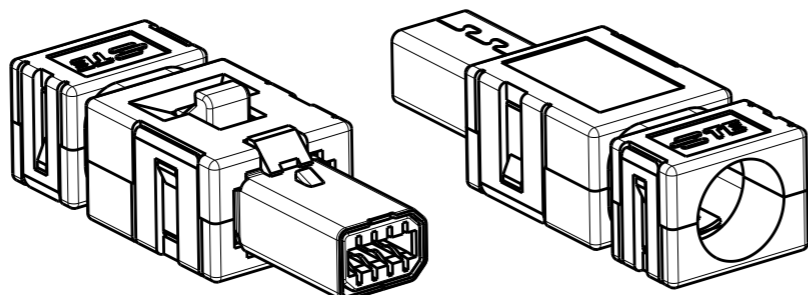
- 1. -1 : TYPE I , INSULATION DIAMETER 1.05-1.15mm
- 1- -1 : TYPE II, INSULATION DIAMETER 1.05-1.15mm
- 2 : TYPE I , INSULATION DIAMETER 0.93-1.05mm
- 1- -2 : TYPE II, INSULATION DIAMETER 0.93-1.05mm
- 3 : TYPE I , INSULATION DIAMETER 0.93-1.05mm IPC, 1.05-1.15mm IPC
- 6 : TYPE I , INSULATION DIAMETER 1.1-1.2mm



MATING SHAPE : TYPE I
2201855-1/-2/-3/-6
SCALE 3:1



MATING SHAPE : TYPE II
1-2201855-1/-2
SCALE 3:1



-1 : AS SHOWN

1	2	3	4	5	6	7	8	MATERIAL/FINISH	PART NAME	ITEM
1	1	1	1	1	1	1	1	THERMO PLASTIC	PLUG COVER HSG BOTTOM	7
1	1	1	1	1	1	1	1	THERMO PLASTIC	LOCK HSG	6
2	-	-	-	-	-	-	-	THERMO PLASTIC	CABLE HSG Ø1.10-1.20 COLOR : GREEN	5
-	1	2	2	-	-	-	CABLE HSG Ø0.93-1.05 COLOR : RED			
-	1	-	-	2	2	-	CABLE HSG Ø1.05-1.15 COLOR : BLUE			
1	1	1	1	1	1	1	1	HSG MATERIAL:THERMO PLASTIC	PLUG SUB ASSY	4
1	1	1	1	1	1	1	1	CONTACT MATERIAL:COPPER ALLOY FINISH:NI PLATING ALL OVER CONTACT AREA Au PLATING TERMINATION AREA Au PLATING		
1	1	1	1	1	1	1	1	MATERIAL:COPPER ALLOY FINISH:NICKEL PLATING	BOTTOM SHELL	3
-	-	1	-	1	-	-	-	MATERIAL:COPPER ALLOY FINISH:NICKEL PLATING	PLUG TOP SHELL TYPEII	2
1	1	-	1	-	1	1	1	MATERIAL:COPPER ALLOY FINISH:NICKEL PLATING	PLUG TOP SHELL TYPEI	
1	1	1	1	1	1	1	1	THERMO PLASTIC	PLUG COVER HSG TOP	1
-6	-3	1-	-2	-2	1-	-1	-1			

THIS DRAWING IS A CONTROLLED DOCUMENT.

DIMENSIONS: mm

TOLERANCES UNLESS OTHERWISE SPECIFIED: ±0.5

0 PLC ±
1 PLC ±0.5
2 PLC ±0.13
3 PLC ±0.013
4 PLC ±0.0001
ANGLES ±

MATERIAL - FINISH -

DWN 06DEC2013 T.SHIMOYASU
CHK 06DEC2013 M.HARASAWA
APVD 06DEC2013 N.YAMASAKI

TE Connectivity

INDUSTRIAL MINI I/O PIERCING PLUG CONNECTOR KIT

108-78955
114-5506

PRODUCT SPEC
APPLICATION SPEC
WEIGHT -

SIZE A3 CAGE CODE 00779 DRAWING NO C-2201855 RESTRICTED TO

CUSTOMER DRAWING SCALE 2:1 SHEET 1 OF 1 REV C

X-ON Electronics

Largest Supplier of Electrical and Electronic Components

Click to view similar products for [Modular Connectors / Ethernet Connectors](#) category:

Click to view products by [TE Connectivity](#) manufacturer:

Other Similar products are found below :

[8949-H88/06BLKA/SN](#) [74441-0010/BKN](#) [MP1010RX-1000](#) [MP44RX-1000](#) [PHJ-4P4C-1-V-4](#) [PHP-6P6C-5](#) [GAX-3-66](#) [GAX-8-62](#) [GDCX-PA-66-50](#) [GDCX-PN-64](#) [GDCX-PN-66](#) [GDCX-PN-66-50](#) [GDLX-A-66](#) [GDLX-N-66](#) [GDLX-S-66](#) [GDLX-S-88K](#) [GDTX-S-88-50](#) [GDX-PA-1010](#) [GLX-N-1010M-BLK](#) [GLX-S-88M-BLK](#) [GMX-N-1010](#) [GMX-S-1010](#) [GMX-S-66](#) [GMX-SMT4-N-88](#) [GPX-2-64](#) [GSGX-N-2-88](#) [GSGX-N-4-88](#) [GSX-NS2-88-3.05](#) [GSX-NS2-88-3.05-50](#) [GSX-NS-88-3.05-50](#) [PT-108A-8C-UL](#) [PT-J951-8C](#) [PTS-J531-8CS-50UL](#) [1-1775629-2](#) [A-2014-0-4](#) [GWLX-S-88-GR](#) [GWLX-S9-88-YG](#) [DC-1021-8-WH-6](#) [1300530003](#) [1324640-4](#) [RJ11FTVC2G](#) [RJ11FTVC2N](#) [RJFTVX2SA1G](#) [132764-001](#) [1413235](#) [MP88X-1000](#) [MPS88RX-5000](#) [E5288-S000K3-L](#) [E5908-15A242-L](#) [155302-001](#)