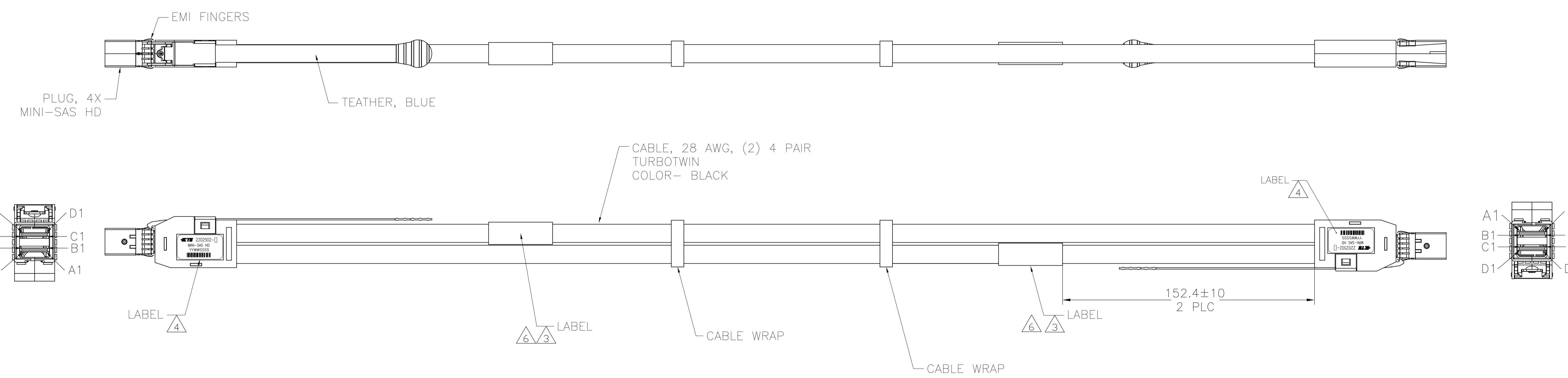
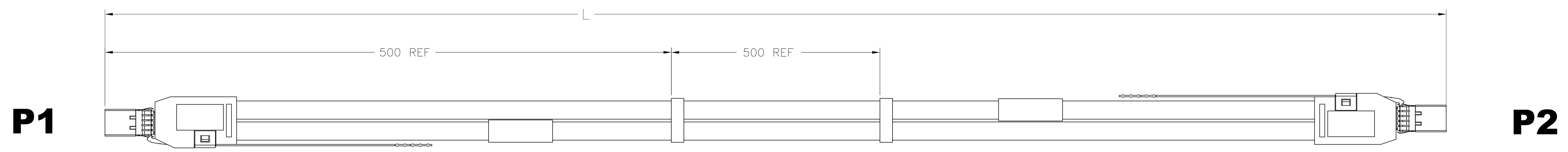


REVISIONS					
P	LTR	DESCRIPTION	DATE	DMN	APVD
D	PER	ECO-15-016946	21MAR2016	PL	JM



- ASSEMBLY TESTED FOR CONTINUITY, OPENS, SHORTS, EEPROM PROGRAM AND SIGNAL INTEGRITY.
- ROHS AND REACH COMPLIANCE: PRODUCT AND PROCESSING MEETS REQUIREMENTS OF TE SPECIFICATION TEC-138-702.

3 LABEL INFORMATION:

	2202502-[]	TE LOGO AND P/N
---	METERS	LENGTH
YYWW		DATE CODE
MADE IN	---	COUNTRY OF ORIGIN

4 LABEL INFORMATION:

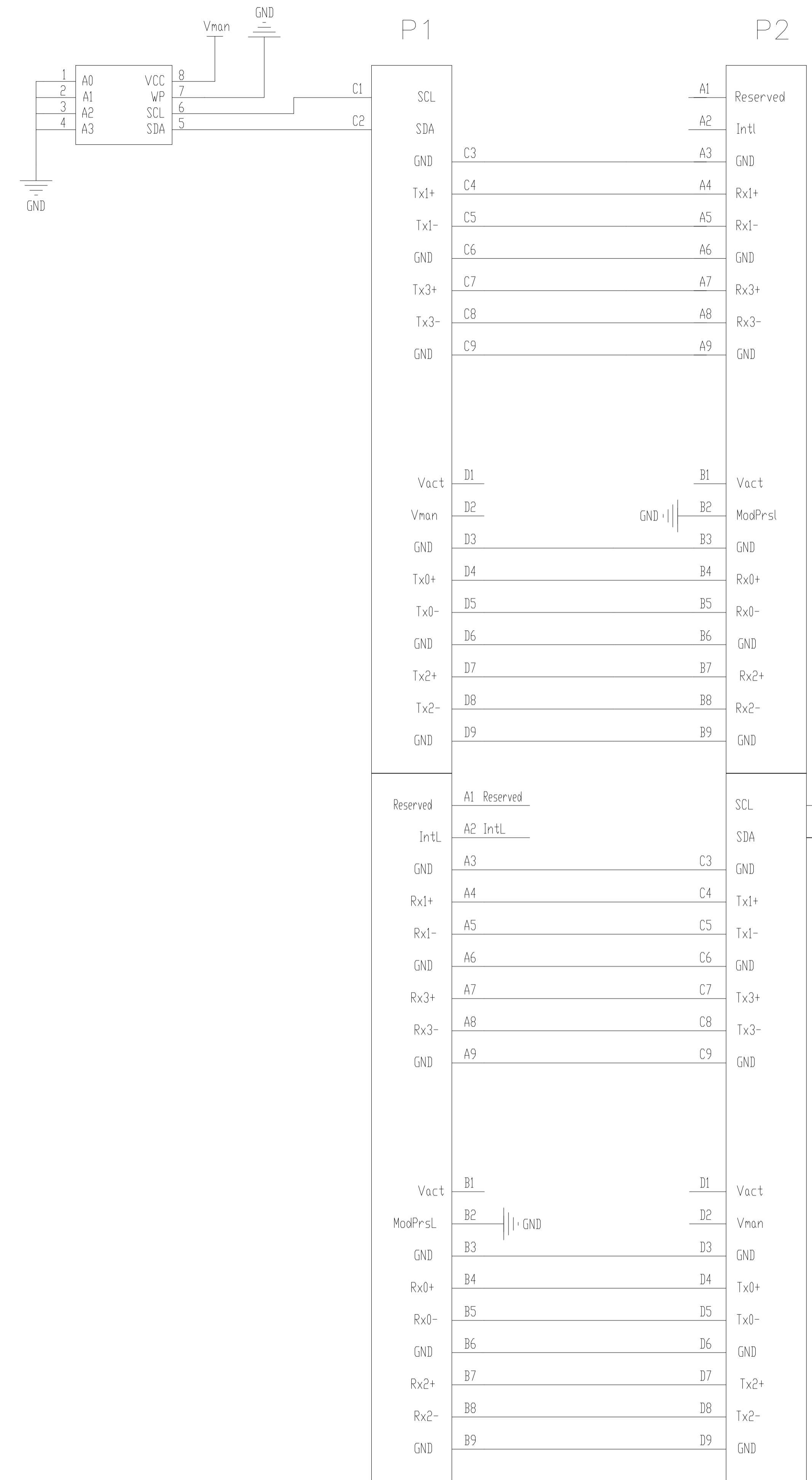
	2202502-[]	TE LOGO AND P/N
	MINI-SAS HD	
YYWW	SSSS	YYWW= DATE CODE, SSSS= SERIAL NUMBER
		BARCODE

- EEPROM PROGRAMMED PER TE DOCUMENT 2202502_EEPROM.
- 6 -1 ONLY: LABEL IS APPLIED TO THE CENTER OF CABLE ASSEMBLY,

5	+0.1 -0	METERS	2202502-6
4	+0.08 -0	METERS	2202502-5
3	+0.08 -0	METERS	2202502-4
2	+0.08 -0	METERS	2202502-3
1	+0.05 -0	METERS	2202502-2
0.5	+0.05 -0	METERS	2202502-1
L			PART NO

THIS DRAWING IS A CONTROLLED DOCUMENT.		DIN P.LI 09MAR2012	TE Connectivity	
DIMENSIONS: mm		CHK J.MEYERS 09MAR2012	NAME	
TOLERANCES UNLESS OTHERWISE SPECIFIED:		APVD J.MEYERS 09MAR2012	CABLE ASSEMBLY, 28 AWG TURBOTWIN, MINI-SAS HD, 4X	
0 PLC	±	PRODUCT SPEC	SIZE	CAGE CODE
1 PLC	±	APPLICATION SPEC	A1	00779
2 PLC	±	WEIGHT	0	DRAWING NO
3 PLC	±	RESTRICTED TO		C=2202502
4 PLC	±	CUSTOMER DRAWING		SCALE 1:1
ANGLES	±			SHEET 1 OF 2
				REV D

REVISIONS				
P	LTR	DESCRIPTION	DATE	OWN
-	-	SEE SHEET 1	-	-



THIS DRAWING IS A CONTROLLED DOCUMENT.		DIN P. LI 09MAR2012	TE Connectivity	
DIMENSIONS: mm		CHK J. MEYERS 09MAR2012		
TOLERANCES UNLESS OTHERWISE SPECIFIED:		APVD J. MEYERS 09MAR2012	NAME CABLE ASSEMBLY, 28 AWG TURBOTWIN, MINI-SAS HD, 4X	
0. PLC ± - 1. PLC ± - 2. PLC ± - 3. PLC ± - 4. PLC ± - ANGLES ± -		PRODUCT SPEC		RESTRICTED TO
MATERIAL		APPLICATION SPEC		SIZE A1
FINISH		WEIGHT		CAGE CODE 00779
		CUSTOMER DRAWING		DRAWING NO. 2202502
		SCALE 1:1		SHEET 2 OF 2
				REV D

X-ON Electronics

Largest Supplier of Electrical and Electronic Components

Click to view similar products for [Computer Cables](#) category:

Click to view products by [TE Connectivity](#) manufacturer:

Other Similar products are found below :

[68809-0004](#) [8F36-AAA105-1.00](#) [IB63](#) [CB-716EB-RS](#) [CB-716P8P9-RS](#) [CBK-11-290K-00](#) [ACL-10550](#) [ACL-10568-2](#) [ACL-10568-5](#)
[427522400-3](#) [32102-021500-200-RS](#) [426091300-3](#) [48000023](#) [10114976-P015002LF](#) [10111838-S444ALF](#) [88761-6101](#) [NT631C-CN321-EU](#)
[ACL-10568NF-1](#) [MIKROE-2092](#) [PCL-101100R-2E](#) [1700009405](#) [PS/2 Cable](#) [NT31C-CN323-EU](#) [PCL-10168H-1E](#) [68801-1905](#) [111068-](#)
[1015](#) [100436-1107](#) [68801-0630](#) [68801-3612](#) [68801-3618](#) [205058-1002](#) [PS2NK](#) [SATA cable](#) [96021-0000-00-0](#) [FAK-SMZSMZ 5M](#) [FAK-](#)
[SMZSMZ-3M](#) [ACC-500-200-R](#) [iW-C40-PCIe08-C1](#) [1700001531](#) [96048-0000-00-0](#) [96054-0000-00-0](#) [SATA III cable 30cm, down/straight](#)
[cab-Pico-ITX-LVDS](#) [PCL-101100SB-2E](#) [AXXSTCBLQAT](#) [NT31C-KBA05](#) [PCL-101100M-2E](#) [A2U4PSWCXCXK1](#) [2 port SATA to 5](#)
[pin,L=200mm](#) [P782-006-DH](#)