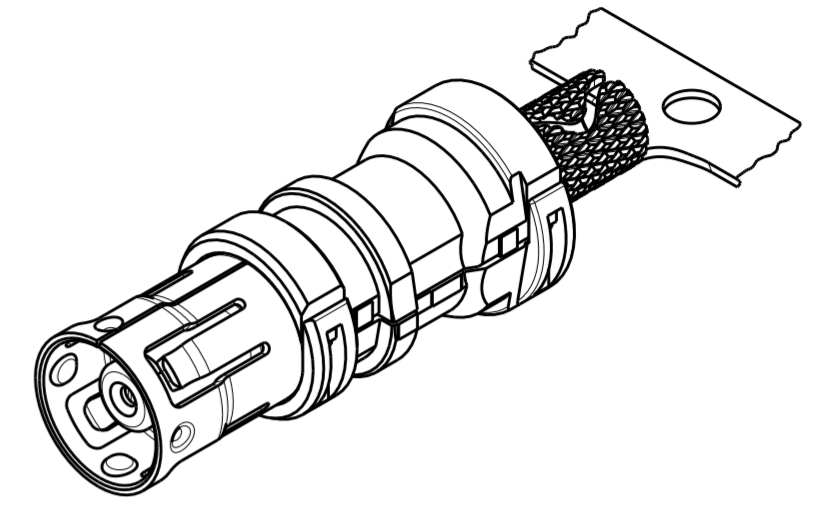
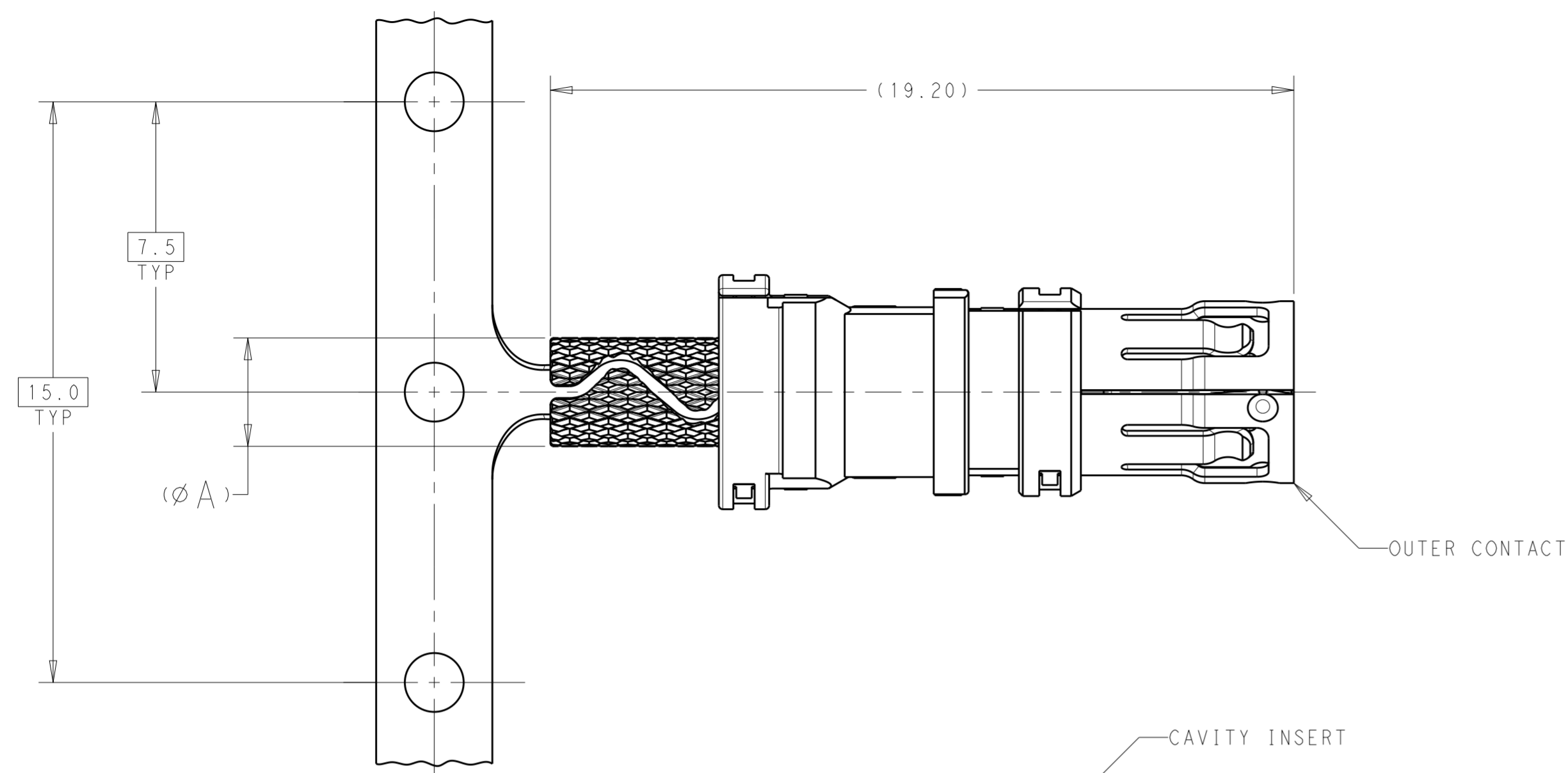
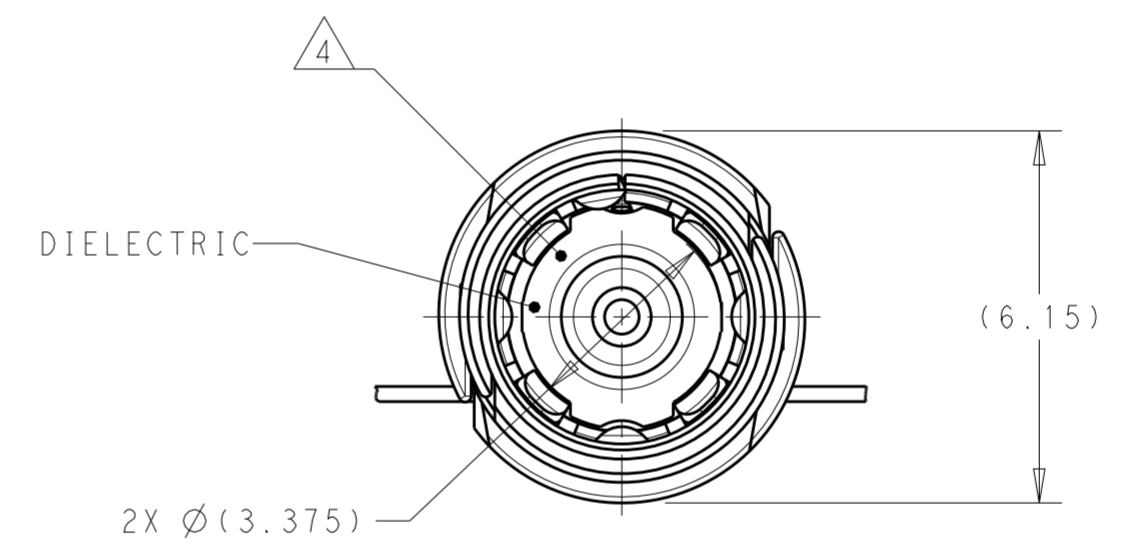
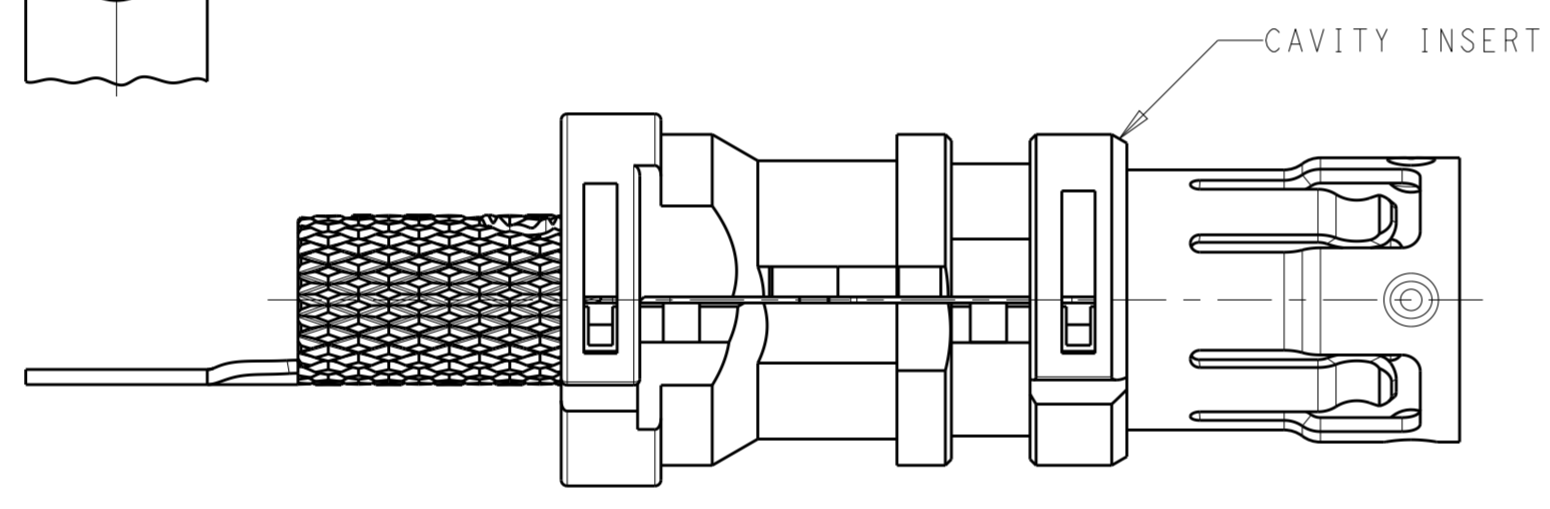


THIS DRAWING IS UNPUBLISHED. RELEASED FOR PUBLICATION 20  
© COPYRIGHT 20 BY - ALL RIGHTS RESERVED.

REVISIONS					
P	LTR	DESCRIPTION	DATE	DWN	APVD
D1		REVISED PER ECO-19-015221	04OCT2019	KF	NE
D2		REVISED PER ECO-20-008953	29JUN2020	CN	AC
D3		REVISED PER ECO-20-009877	15JUL2020	CN	AC
D4		REVISED PER ECO-20-010646	31JUL2020	CN	AC



ISOMETRIC VIEW SCALE 5:1



	3.01	NATURAL	NATURAL	△6	RTK044	1-2203274-0
	2.22	NUT BROWN	NUT BROWN	△6	1.5CS, 1.5DS	2203274-8
	2.22	NUT BROWN	NUT BROWN	△6	1.5CS, 1.5DS, DACAR 462, RG-174, RG-174 LL, RG-316	2203274-7
OBSOLETE	-	-	-	-	-	2203274-6
OBSOLETE	-	-	-	-	-	2203274-5
OBSOLETE	-	-	-	-	-	2203274-4
	2.80	GREEN	GREEN	△6	RTK-031, SHIKOKU 2DS-PPFW(TA)	2203274-3
OBSOLETE	-	-	-	-	-	2203274-2
	3.65	JET BLACK	SIGNAL BLUE	△6	RG-58, RG-58 LL	2203274-1
	A	CAVITY INSERT COLOR	DIELECTRIC COLOR	MATERIAL	APPLICABLE CABLE SIZE	PART NUMBER

1. 2203274-3 AS SHOWN.

△2 OUTER CONTACT: PHOSPHOR BRONZE OR COPPER ALLOY. DIELECTRIC AND CAVITY INSERTS: POLYESTER PBT, COLOR: SEE TABLE.

△3 OUTER CONTACT: 1.0µm MIN TIN.

△4 CAVITY INSERT SUBASSEMBLY INTERFACE PER ISO 20860-1, ROAD VEHICLES - RADIO FREQUENCY INTERFACE - DIMENSIONS AND ELECTRICAL REQUIREMENTS.

5. PACKAGED ON REEL.

△6 OUTER CONTACT: PHOSPHOR BRONZE OR COPPER ALLOY. DIELECTRIC: POLYESTER PBT; CAVITY INSERTS: NYLON; COLOR: SEE TABLE.

THIS DRAWING IS A CONTROLLED DOCUMENT.

DWN	D. J. HARDY	17AUG2015
CHK	D. J. LANE	17AUG2015
APVD	D. J. LANE	17AUG2015
PRODUCT SPEC	108-32137	
APPLICATION SPEC	114-32145	
WEIGHT	-	

**STE** TE Connectivity

NAME: CAVITY INSERT SUBASSEMBLY, FEMALE, 180 DEGREE, FAKRA

SIZE	A2	CAGE CODE	-	DRAWING NO	G-2203274	RESTRICTED TO	
SCALE	8:1	SHEET	1 OF 1	REV	D4		

CUSTOMER DRAWING

## X-ON Electronics

Largest Supplier of Electrical and Electronic Components

*Click to view similar products for [Automotive Connectors](#) category:*

*Click to view products by [TE Connectivity](#) manufacturer:*

Other Similar products are found below :

[003-018-000](#) [60403001](#) [60993906-B](#) [M902-2131](#) [M902-2161](#) [72.330.1035.1](#) [73.353.4028.0](#) [F119300-B](#) [F166900](#) [F258300-B](#) [F358300-B](#)  
[F407400](#) [F444110](#) [F487000](#) [F509500B-B](#) [827153-1](#) [8N1515-32-24P](#) [9-1326729-8](#) [925474-1](#) [928905-1](#) [964562-4](#) [968782-1](#) [GT17SA-8DS-](#)  
[HU](#) [98891-1012](#) [98947-1016](#) [12004147](#) [12004475-L](#) [12010290](#) [12010309-B](#) [12015454](#) [12020219-B](#) [12020308](#) [12041318-B](#) [12052225-L](#)  
[12052466](#) [12059125](#) [12064869](#) [12004327-B](#) [12010503-B](#) [12015308](#) [12015384](#) [12015909](#) [1-21030-1](#) [12041254](#) [12041318](#) [12047946-B](#)  
[12047957](#) [12047957-L](#) [12059473](#) [12066261](#)