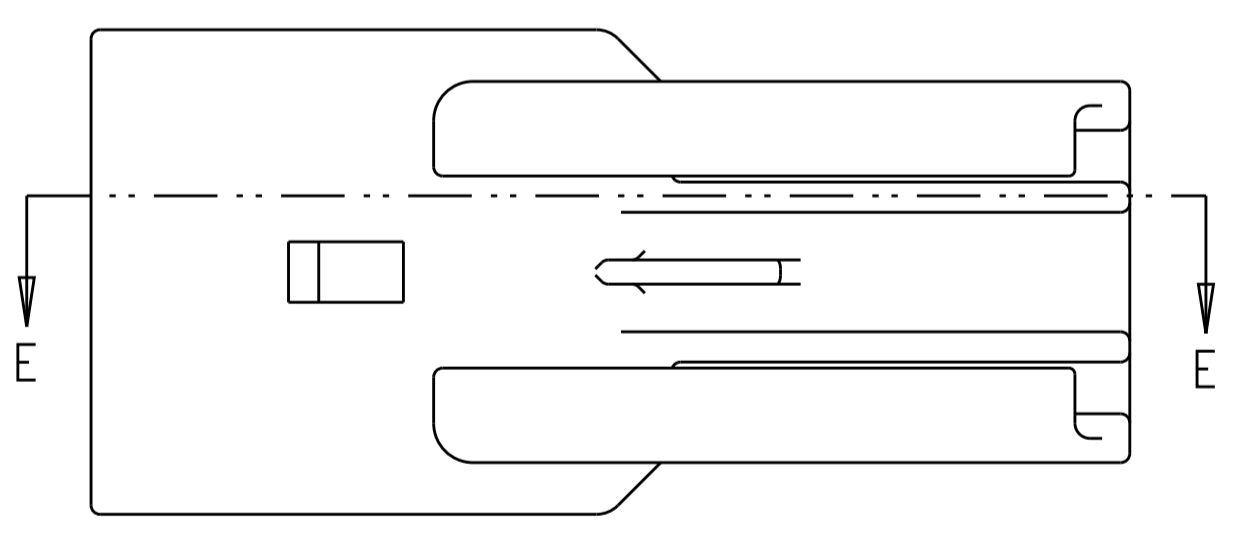
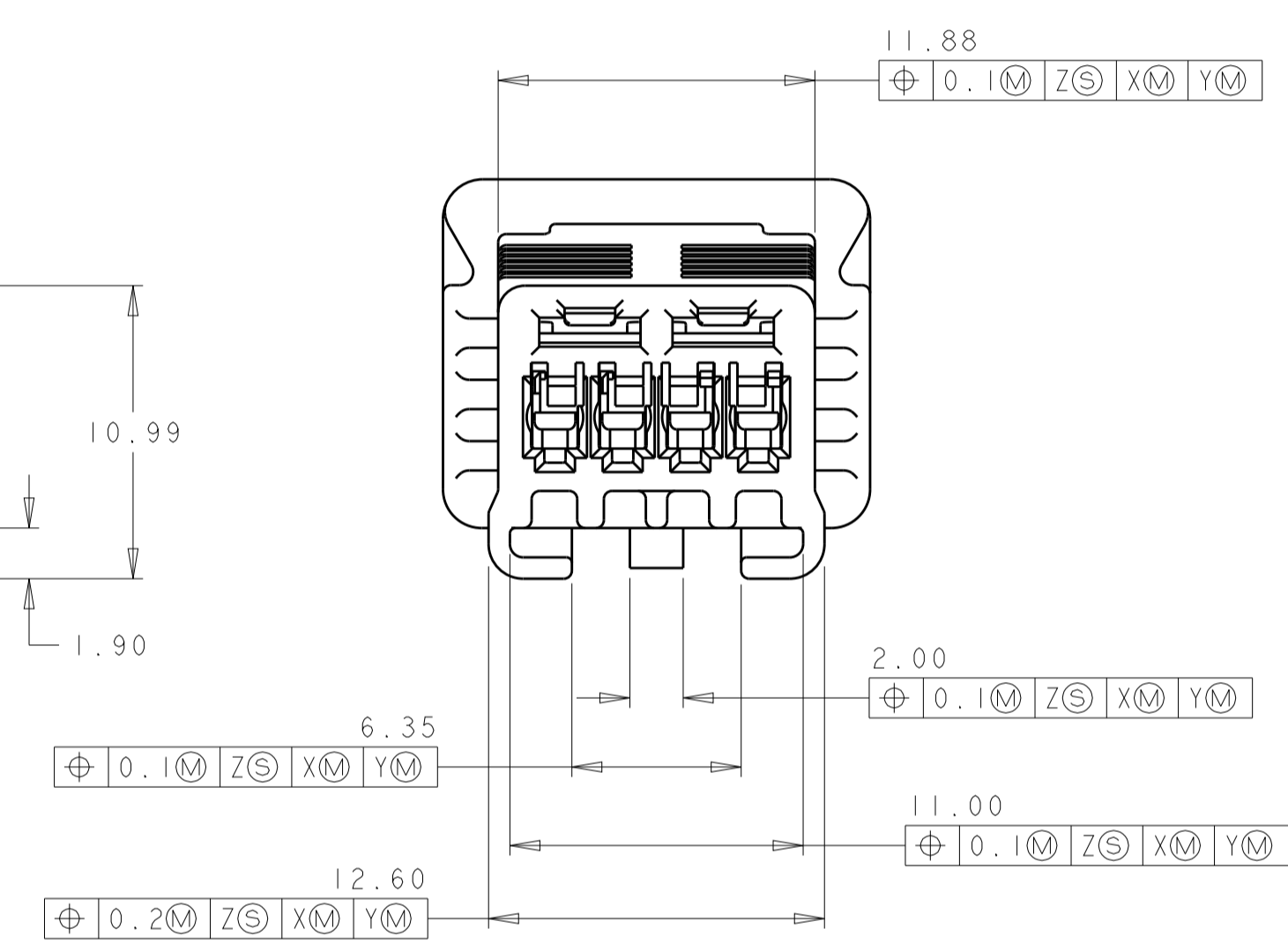
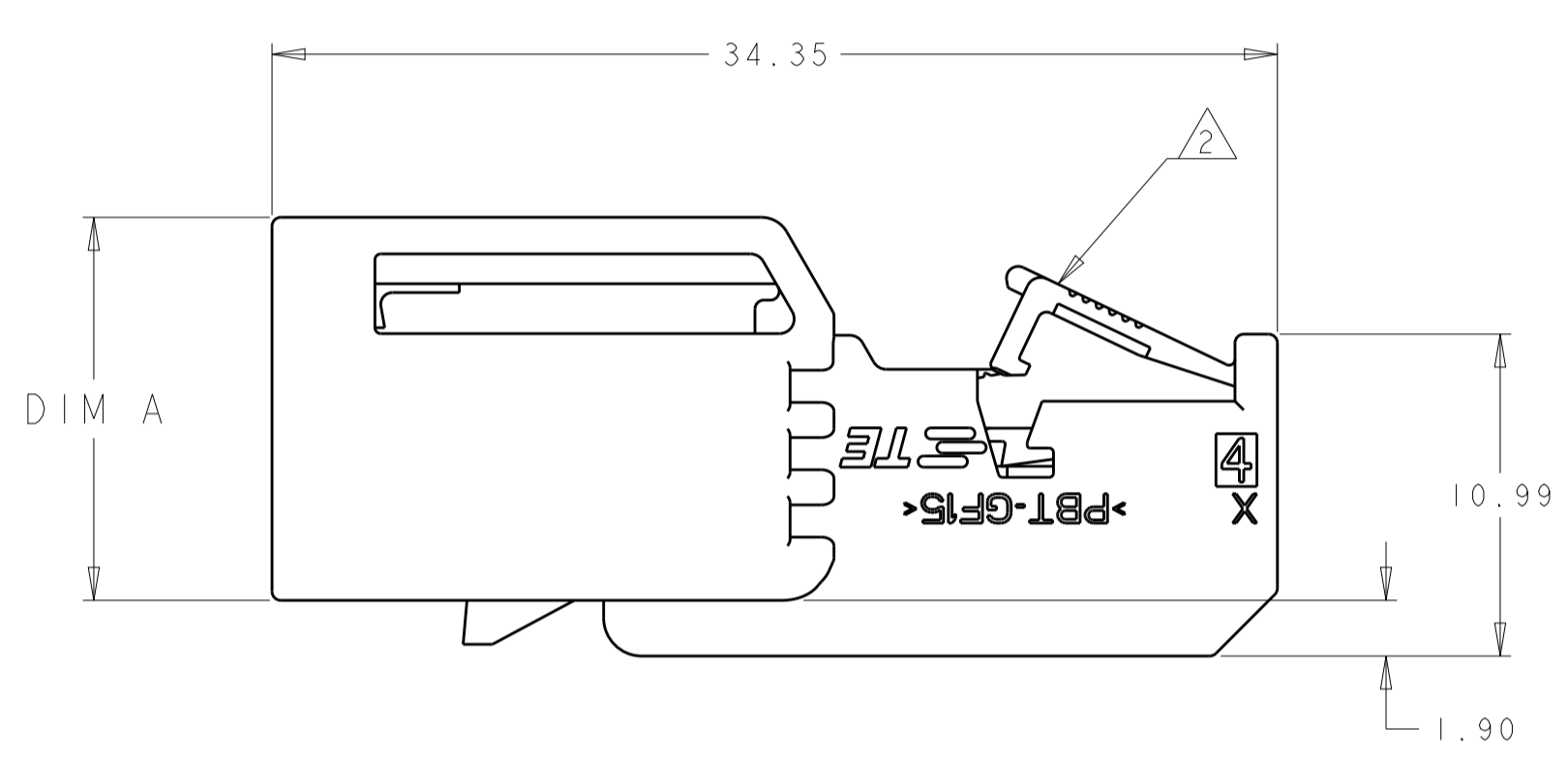
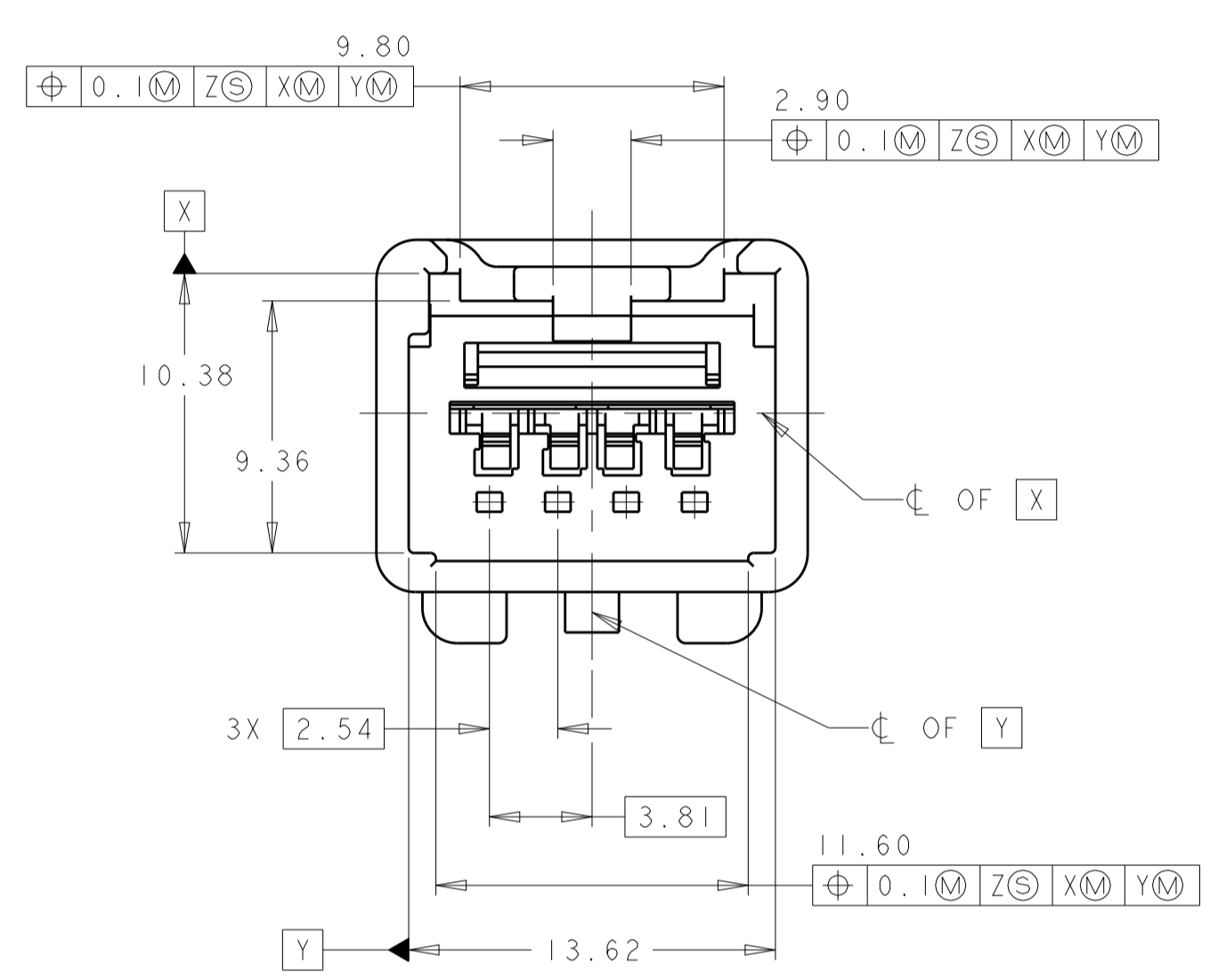
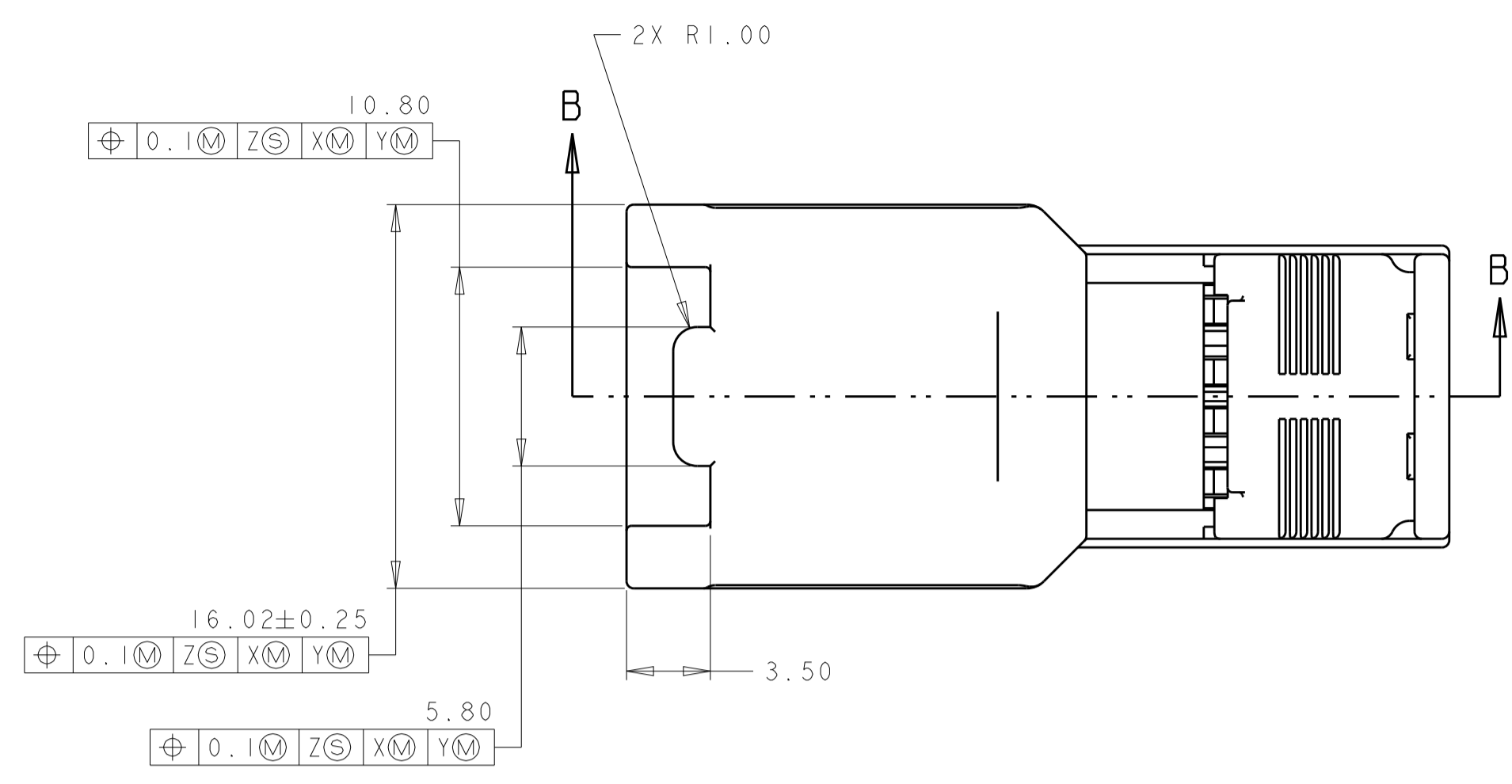
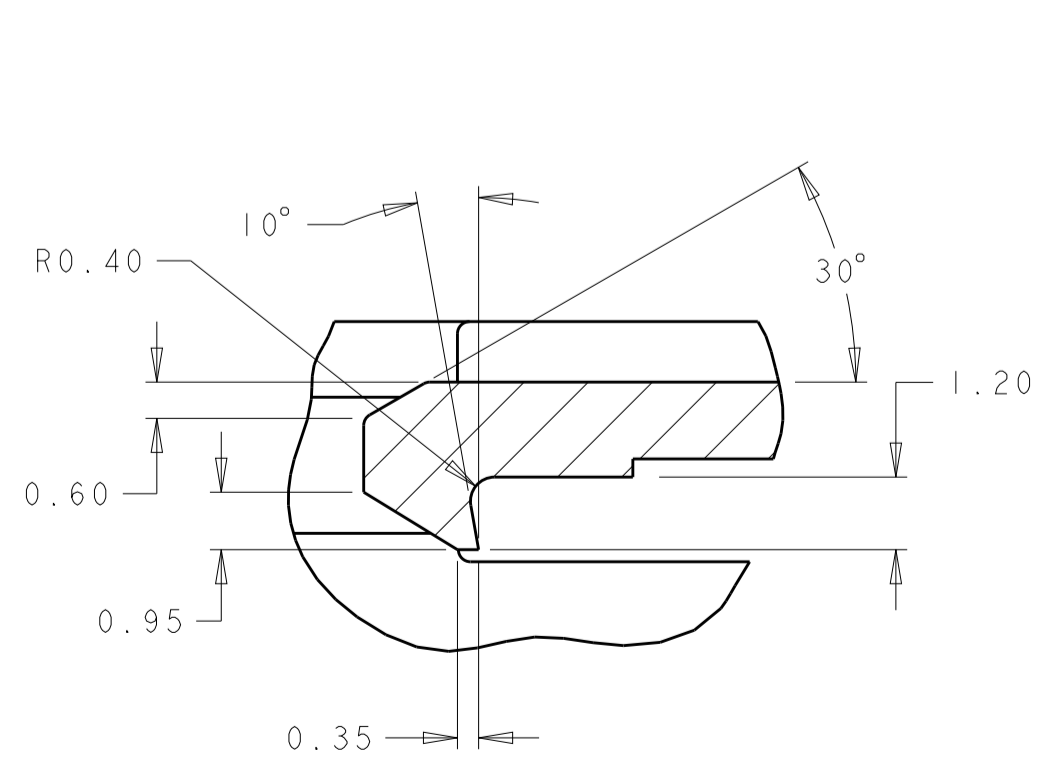


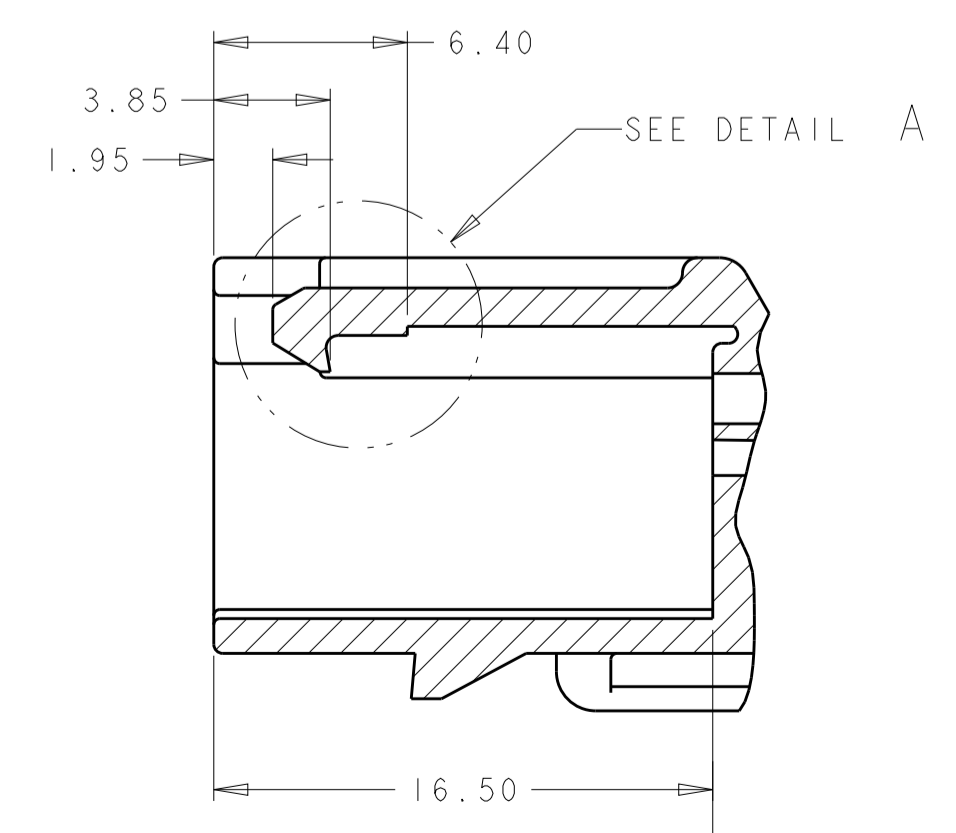
REVISIONS				
P.	LTN	DESCRIPTION	DATE	OWN APVD
A		RELEASED PER ECO-14-011370	24JUL2014	DLD RGS
B		REVISED PER ECO-15-005860	16APR2015	DLD RGS



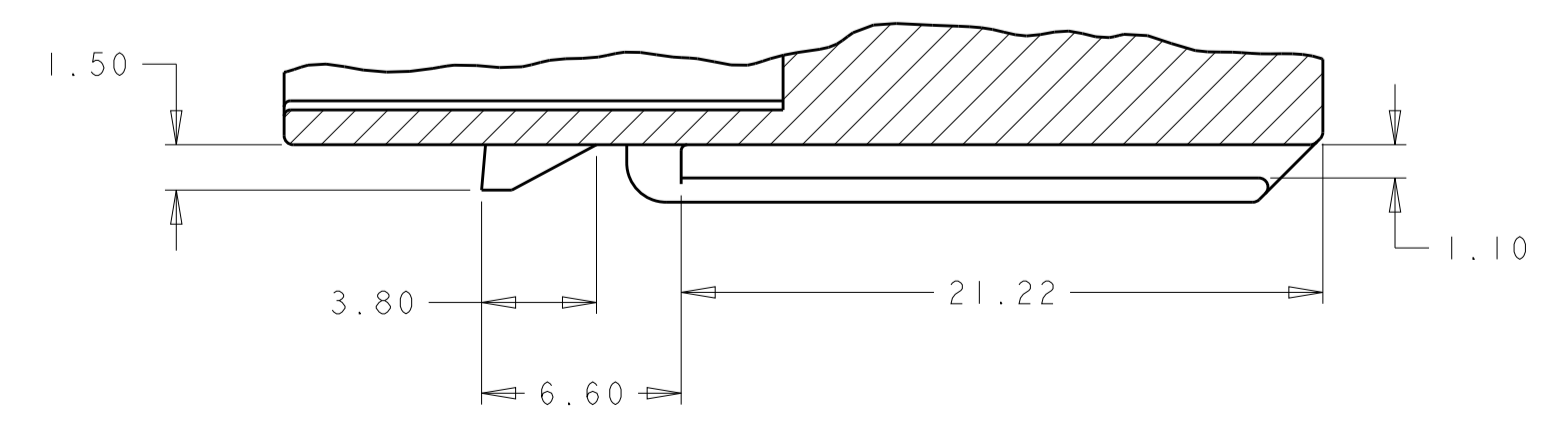
- 1. MATERIAL: PBT, 15% GLASS-FILLED
COLOR: BLACK
- 2. HOUSING SHIPPED WITH SECONDARY LOCK IN PRE-LOCK POSITION, AS SHOWN. SECONDARY LOCK MAY CLOSE INADVERTANTLY DURING SHIPPING, IF THIS OCCURS, RELOCATE SECONDARY LOCK TO OPEN POSITION PRIOR TO INSERTION OF TERMINALS.
- 3. PRODUCT INCORPORATES CLIP SLOT AND RETAINER CLIPLOCK AS DEFINED BY EWCAP-005-11, REV B.
- 4. CAP HOUSING WILL ACCEPT GENERATION Y BLADE CONTACTS.
- 5. FOR ASSEMBLY AND REPAIR INSTRUCTIONS SEE TE SPEC 408-32069.



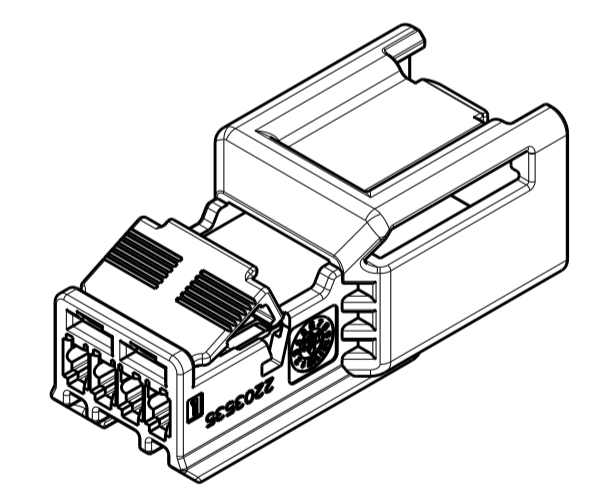
DETAIL A
SCALE 8:1



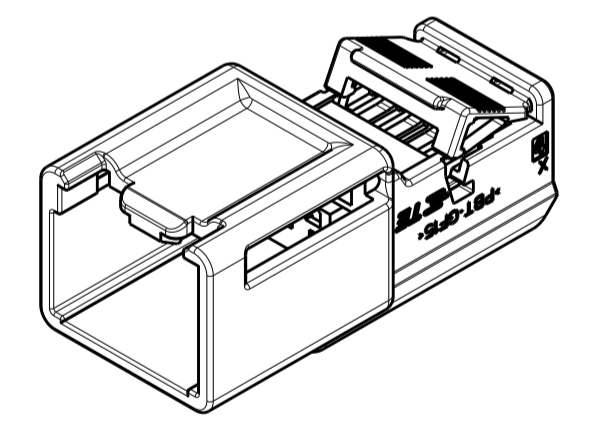
SECTION B-B



SECTION E-E



SCALE 2:1

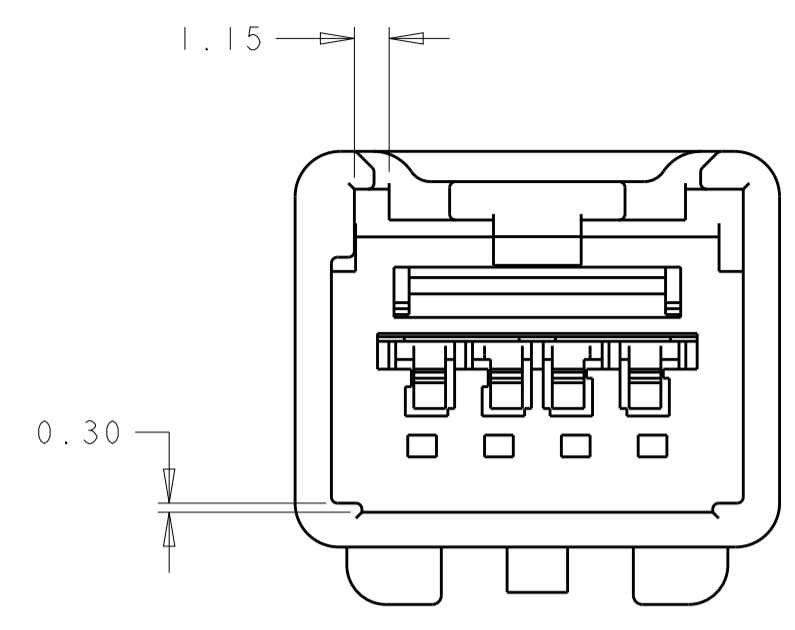


SCALE 2:1

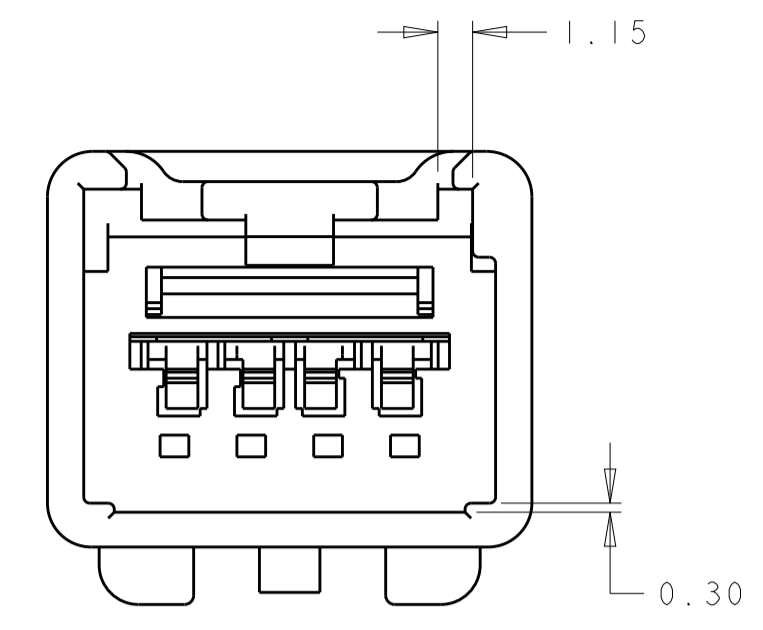
H		2203535-8
G		2203535-7
F		2203535-6
E	14.28	2203535-5
D		2203535-4
C		2203535-3
B	13.08	2203535-2
A		2203535-1
KEYING OPTION SEE SHEET 2		DIM A PART NUMBER

THIS DRAWING IS A CONTROLLED DOCUMENT.		OWN: RUSTY WORTHINGTON 06SEP2013	TE Connectivity	
DIMENSIONS: mm		CHK: RANDY SIMMONS 06SEP2013		
TOLERANCES UNLESS OTHERWISE SPECIFIED:		APVD: RANDY SIMMONS 06SEP2013		
0 PLC	±	PRODUCT SPEC	HOUSING, 4 POSITION, CONTACTS, GENERATION Y	
1 PLC	±0.3	APPLICATION SPEC	SIZE: A100779	CAGE CODE: 2203535
2 PLC	±0.20	WEIGHT	SCALE: 4:1	SHEET 1 OF 2
3 PLC	±	FINISH	CUSTOMER DRAWING	REV B
4 PLC	±	ANGLES		

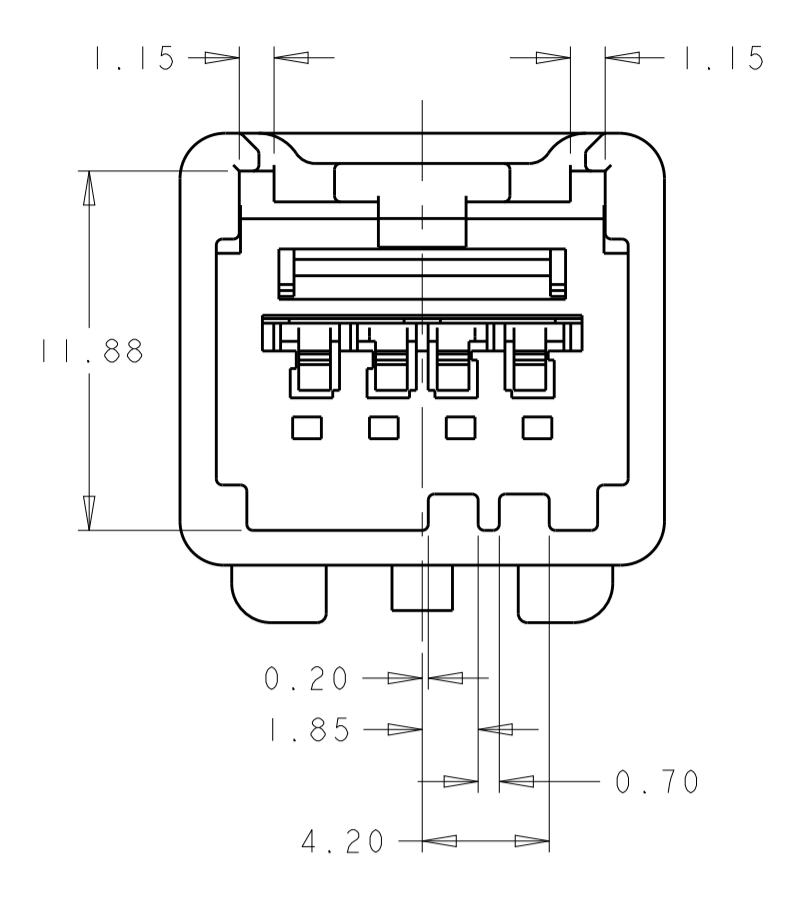
REVISIONS				
P.	LTN	DESCRIPTION	DATE	APVD
-	-	SEE SHEET 1	-	-



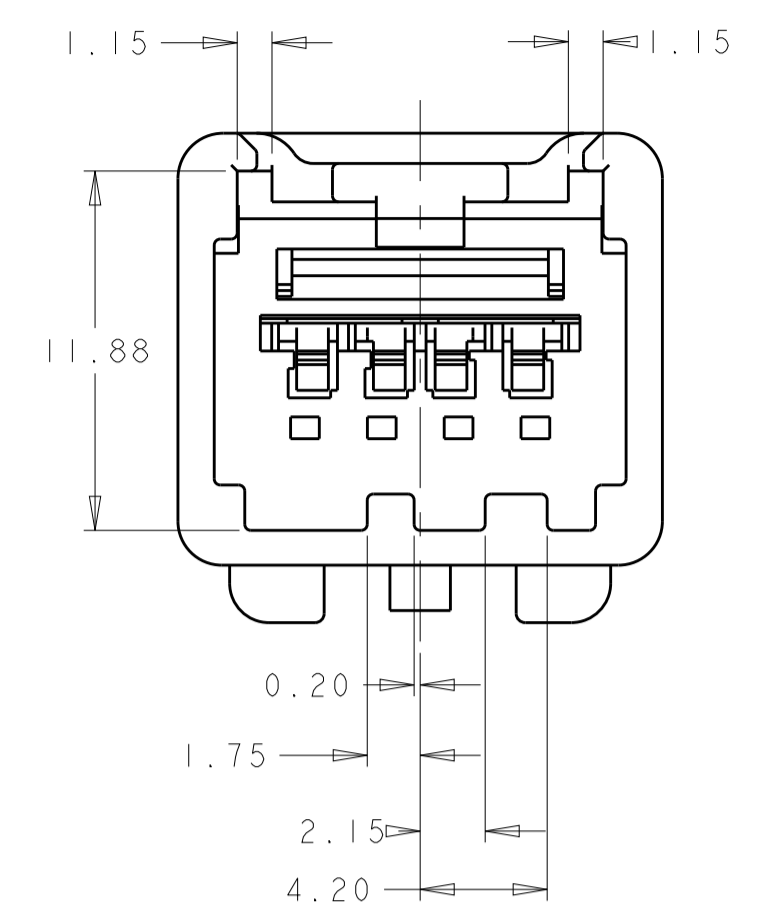
2203535-1
KEY A



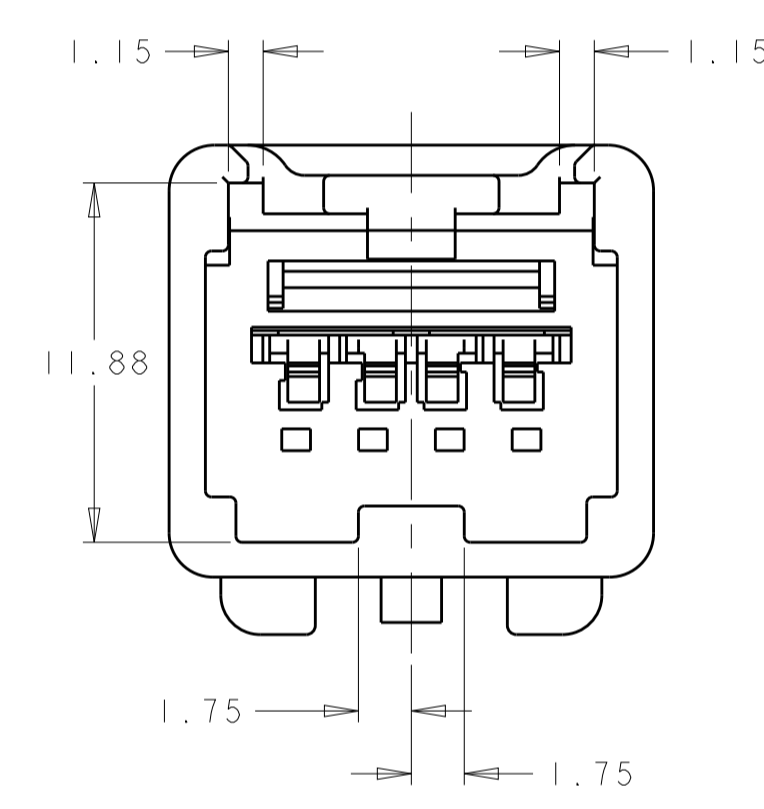
2203535-2
KEY B



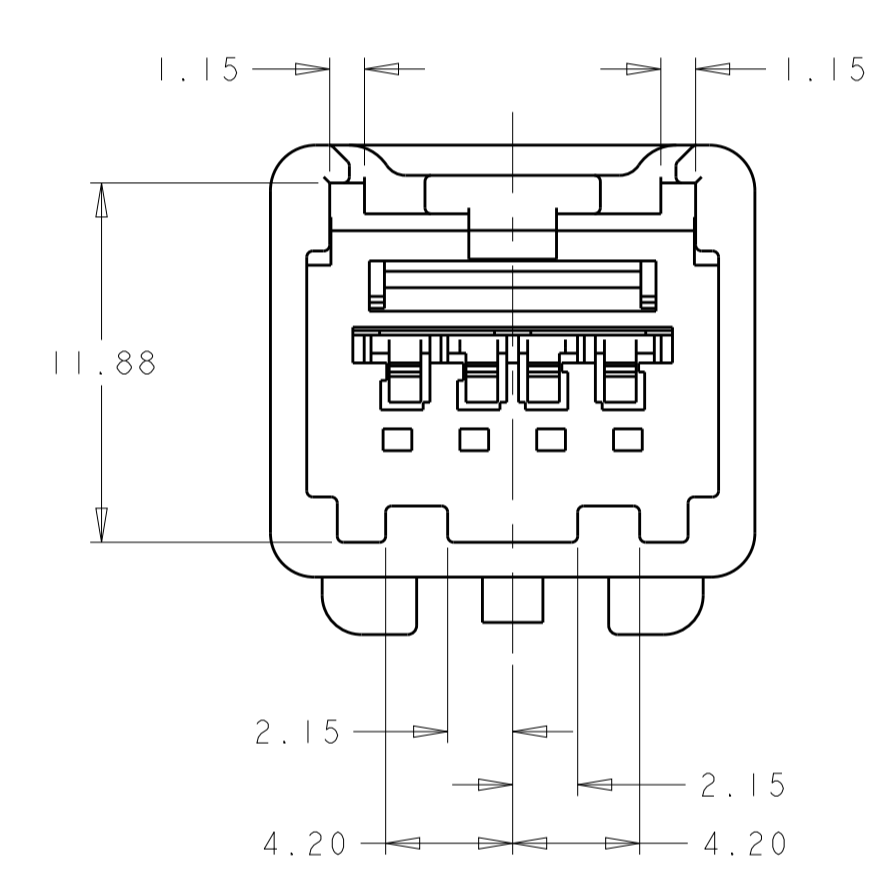
2203535-3
KEY C



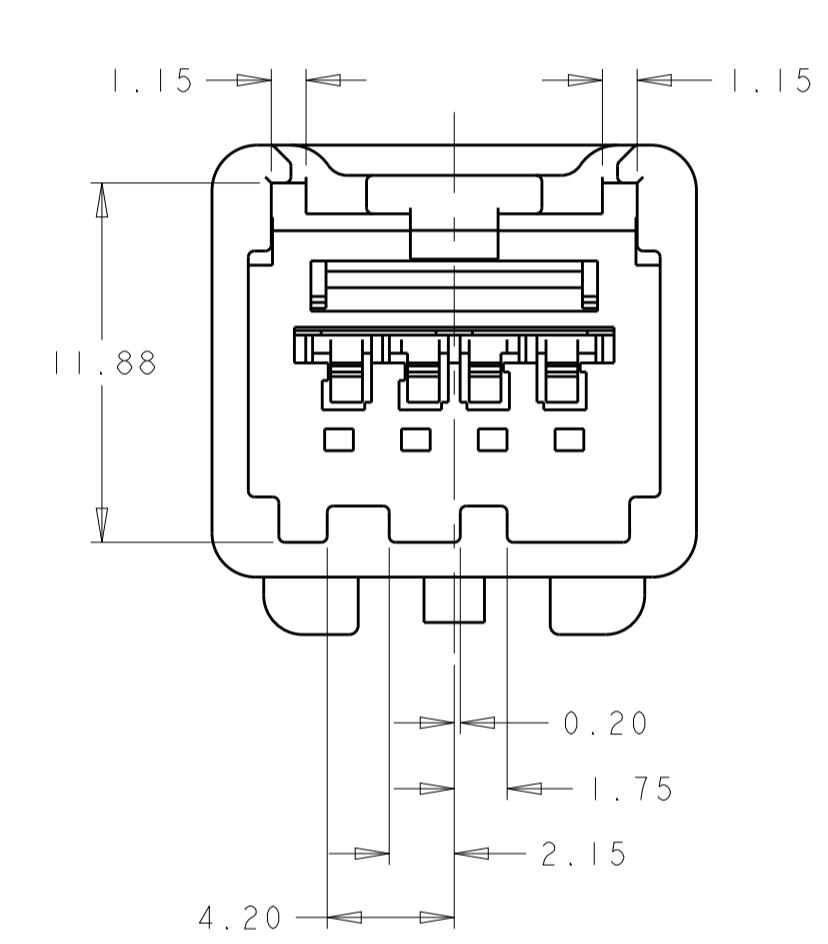
2203535-4
KEY D



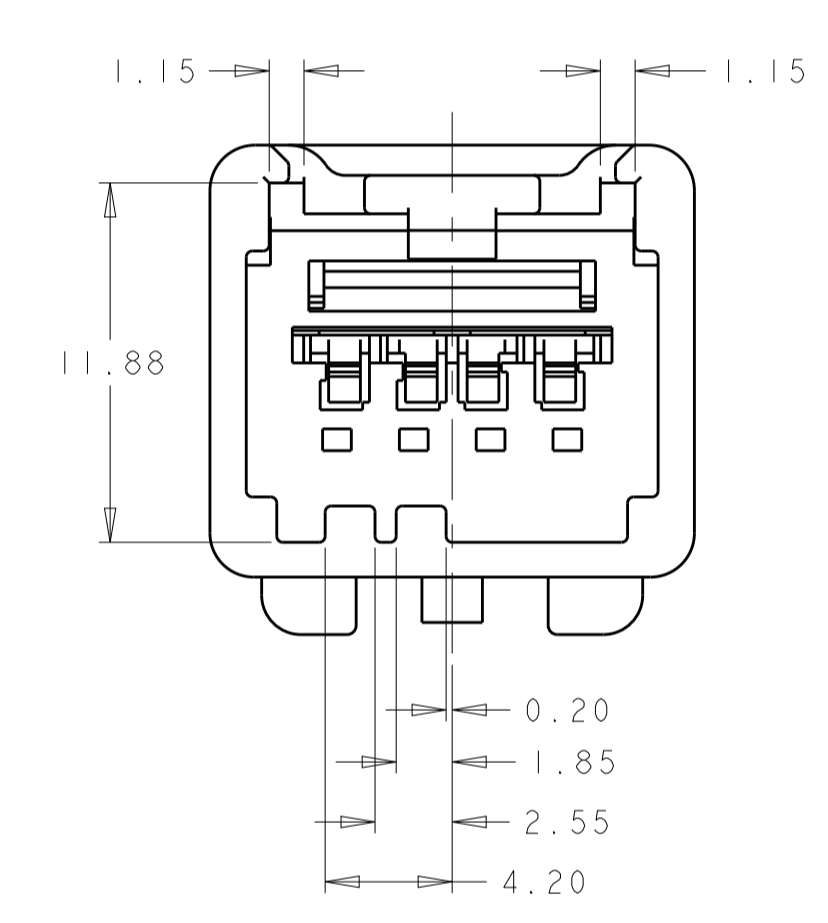
2203535-5
KEY E



2203535-6
KEY F



2203535-7
KEY G



2203535-8
KEY H

THIS DRAWING IS A CONTROLLED DOCUMENT.		DWN: RUSTY WORTHINGTON 06SEP2013 CHK: RUSTY WORTHINGTON 06SEP2013 RANDY SIMMONS APVD: RANDY SIMMONS 06SEP2013		
DIMENSIONS: mm 	TOLERANCES UNLESS OTHERWISE SPECIFIED: 0 PLC ± 1 PLC ±0.3 2 PLC ±0.20 3 PLC ± 4 PLC ± ANGLES ±1°	PRODUCT SPEC APPLICATION SPEC WEIGHT CUSTOMER DRAWING	NAME: HOUSING, 4 POSITION, CONTACTS GENERATION Y SIZE: A100779 CAGE CODE: C=2203535 SCALE: 4:1 SHEET 2 OF 2 REV B	

X-ON Electronics

Largest Supplier of Electrical and Electronic Components

Click to view similar products for [Automotive Connectors](#) category:

Click to view products by [TE Connectivity](#) manufacturer:

Other Similar products are found below :

[003-018-000](#) [60403001](#) [60993906-B](#) [M902-2131](#) [M902-2161](#) [M902-2344](#) [72.330.1035.1](#) [73.353.4028.0](#) [F119300-B](#) [F166900](#) [F258300-B](#)
[F358300-B](#) [F407400](#) [F444110](#) [F487000](#) [F509500B-B](#) [827153-1](#) [8N1515-32-24P](#) [9-1326729-8](#) [925474-1](#) [928905-1](#) [964562-4](#) [968782-1](#)
[GT17SA-8DS-HU](#) [98891-1012](#) [98947-1016](#) [12004147](#) [12004475-L](#) [12010290](#) [12010309-B](#) [12015454](#) [12020219-B](#) [12041318-B](#) [12052225-](#)
[L](#) [12052466](#) [12064869](#) [12004327-B](#) [12015308](#) [12015384](#) [12015909](#) [1-21030-1](#) [12041254](#) [12041318](#) [12047946-B](#) [12047957](#) [12047957-L](#)
[12059473](#) [12066261](#) [12110546](#) [12110546-B](#)