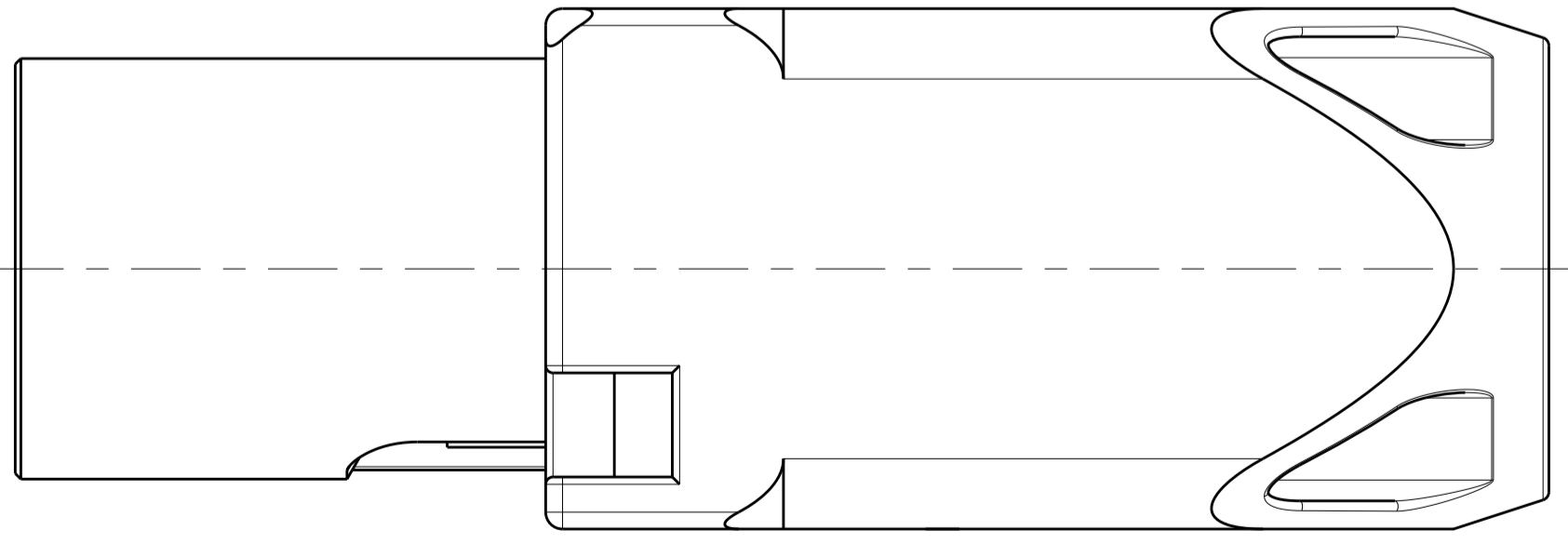
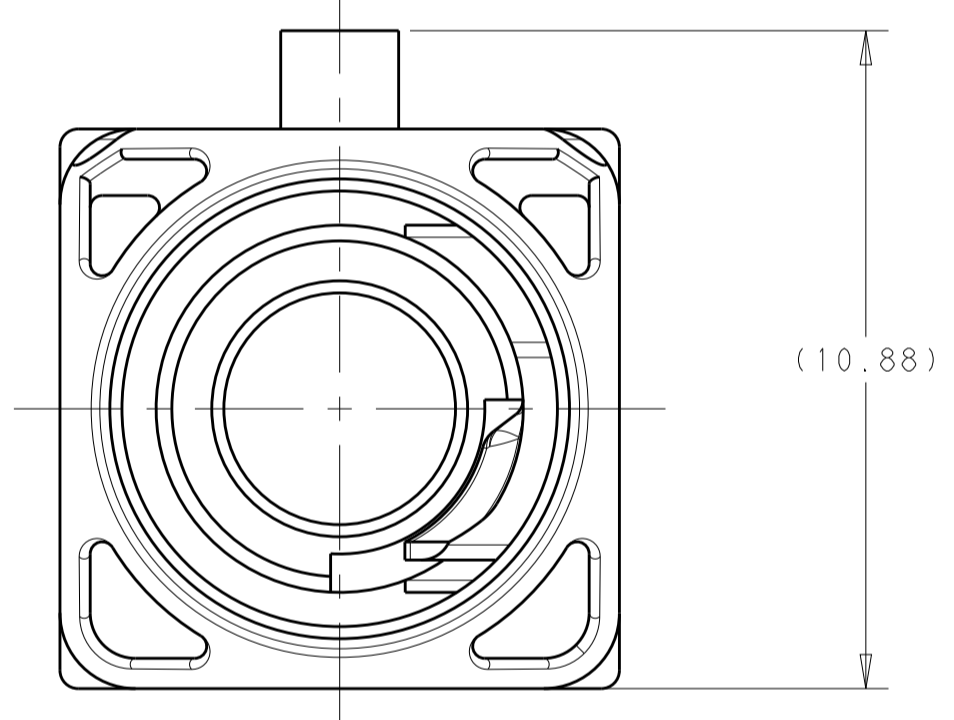
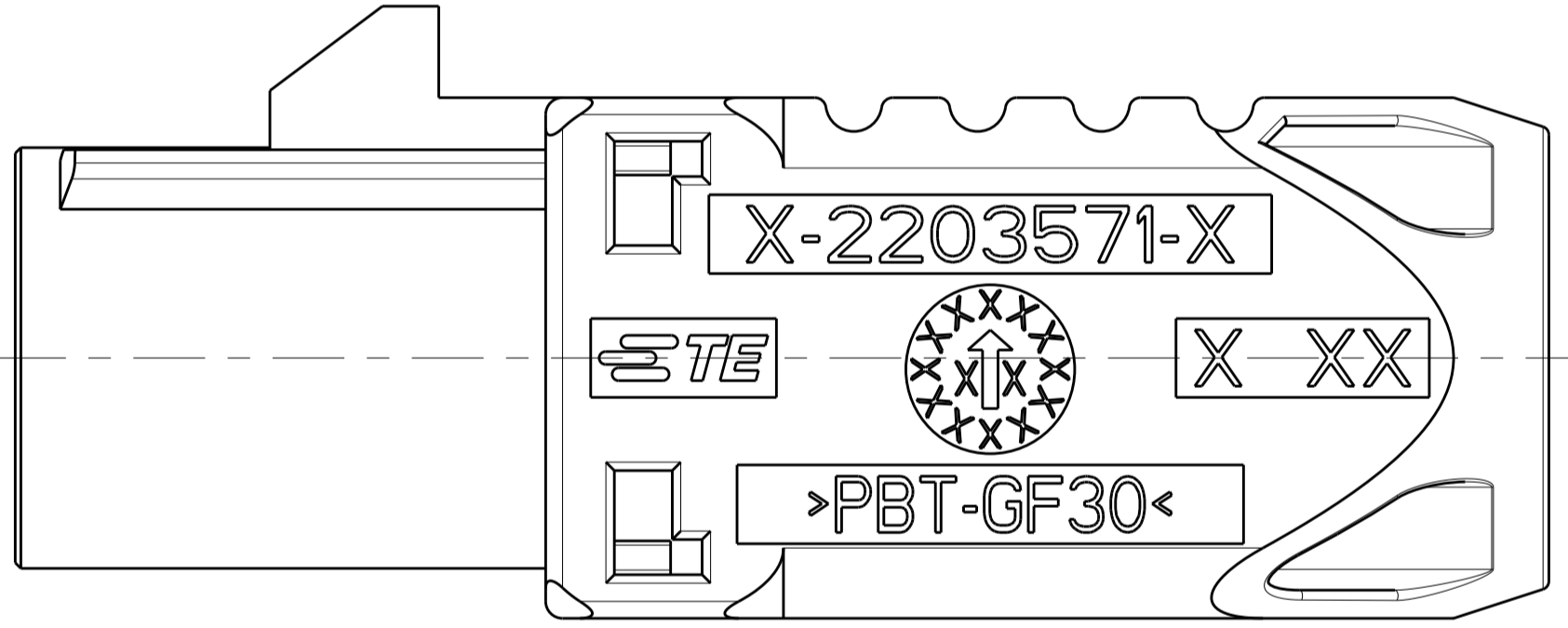
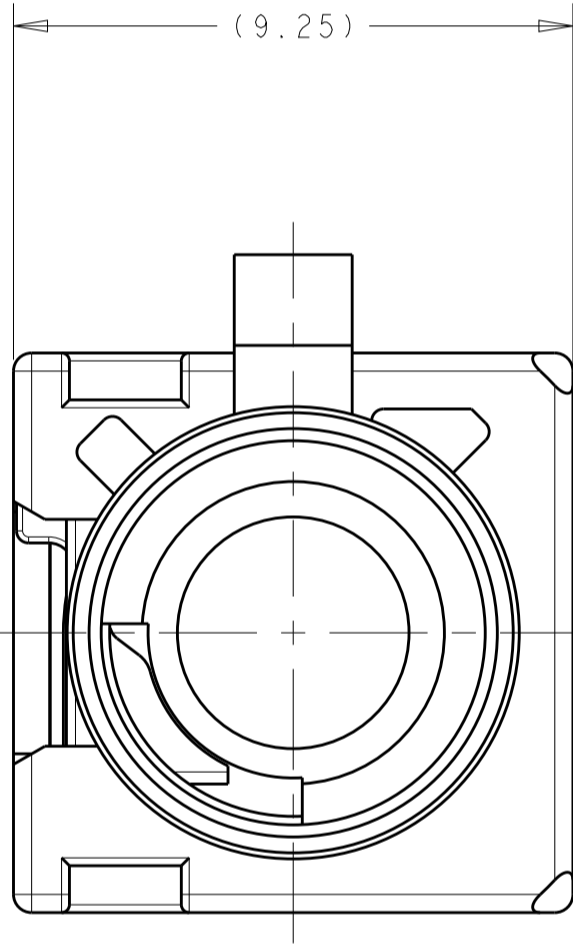
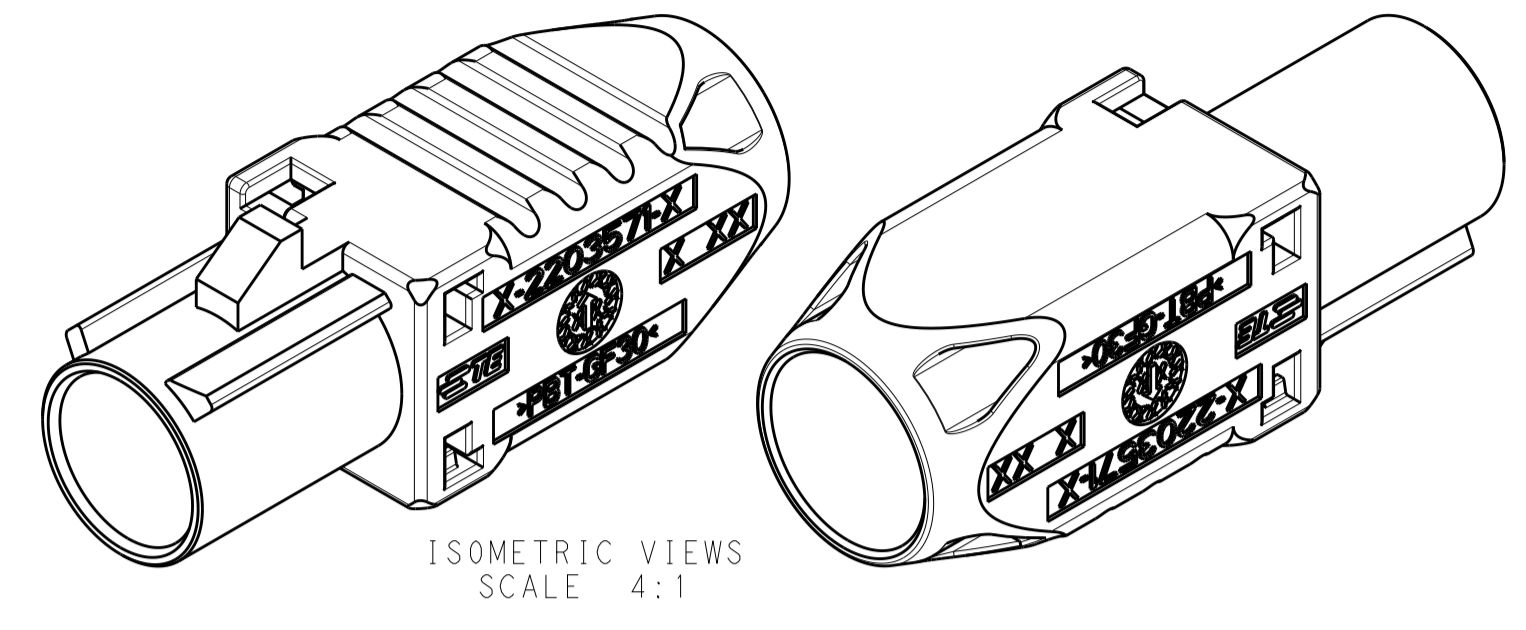
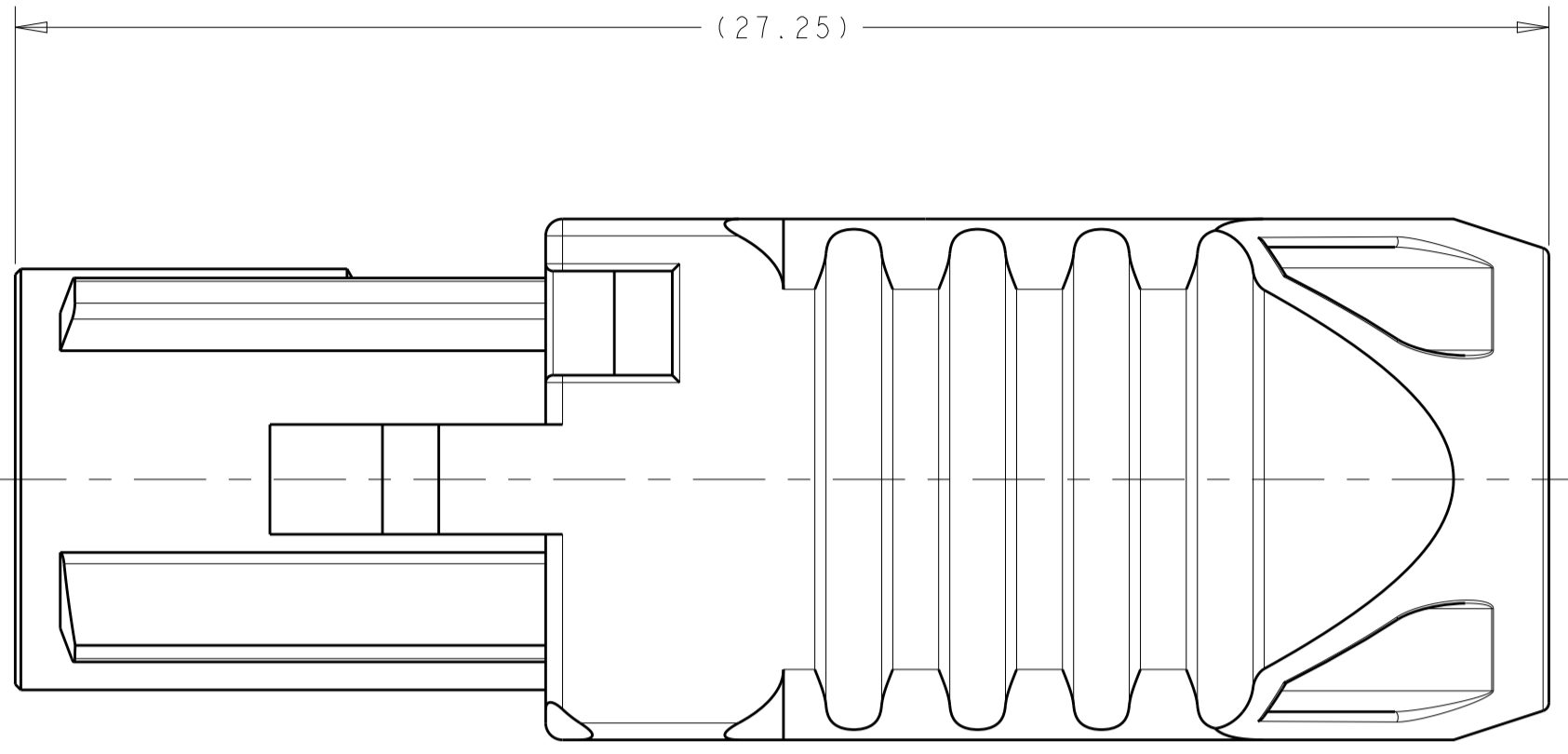


REVISIONS				
P. LTR	DESCRIPTION	DATE	DWN	APVD
1	INITIAL DRAWING.	07APR2017	JAB	ERL

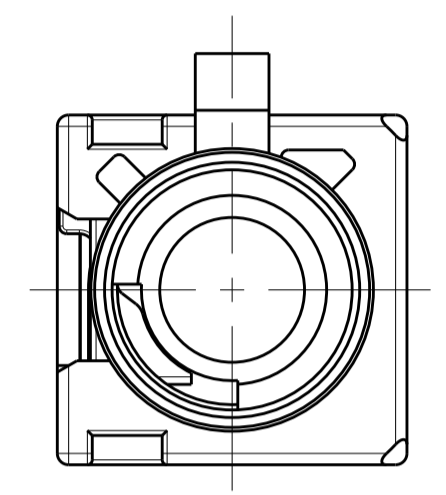


Z	PER DETAIL Z	WATER BLUE	2-2203571-0
N	PER DETAIL N	PASTEL GREEN	1-2203571-3
M	PER DETAIL M	PASTEL ORANGE	1-2203571-2
L	PER DETAIL L	CARMINE RED	1-2203571-1
K	PER DETAIL K	CURRY	1-2203571-0
I	PER DETAIL I	BEIGE	2203571-9
H	PER DETAIL H	HEATHER VIOLET	2203571-8
G	PER DETAIL G	BLUE GREY	2203571-7
F	PER DETAIL F	NUT BROWN	2203571-6
E	PER DETAIL E	LEAF GREEN	2203571-5
D	PER DETAIL D	CLARET VIOLET	2203571-4
C	PER DETAIL C	SIGNAL BLUE	2203571-3
B	PER DETAIL B	CREAM	2203571-2
A	PER DETAIL A	JET BLACK	2203571-1
KEY CODE	KEYING	CODING COLOR	PART NUMBER

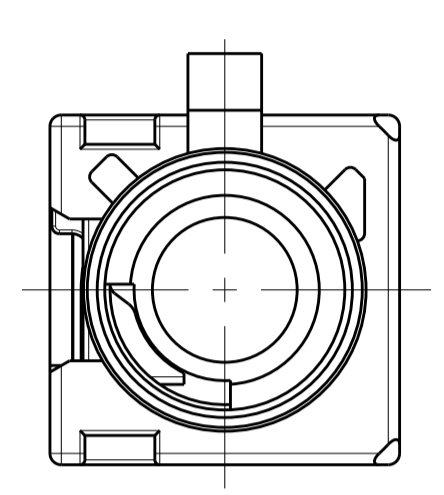
- 1. 2203571-1 AS SHOWN.
- 2 MATERIAL, POLYESTER PBT, COLOR SEE TABLE.
- 3 MALE INTERFACE PER ISO-20860-1, ISO-20860-2, SAE/USCAR-17, SAE/USCAR-18.

THIS DRAWING IS A CONTROLLED DOCUMENT.		DWN J. A. BAKER 07APR2017	TE Connectivity	
DIMENSIONS:		CHK E. R. LOVE 28JUL2017	NAME MALE HOUSING, 1 POSITION, FAKRA	
TOLERANCES UNLESS OTHERWISE SPECIFIED:		APVD E. R. LOVE 28JUL2017	PRODUCT SPEC -	
mm	0 PLC ±	108-32137	APPLICATION SPEC -	
	1 PLC ±	114-32145	SIZE A1	
	2 PLC ±		CAGE CODE -	
	3 PLC ±		DRAWING NO C=2203571	
	4 PLC ±		RESTRICTED TO -	
	ANGLES ±		SCALE 8:1	
MATERIAL	FINISH	WEIGHT	SHEET 1 OF 2	
2			REV A	
CUSTOMER DRAWING		SCALE 8:1 SHEET 1 OF 2 REV A		

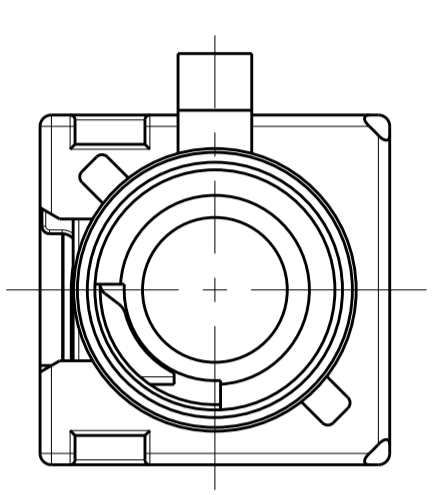
REVISIONS				
P.	LTN	DESCRIPTION	DATE	APVD
-		SEE SHEET 1	-	-



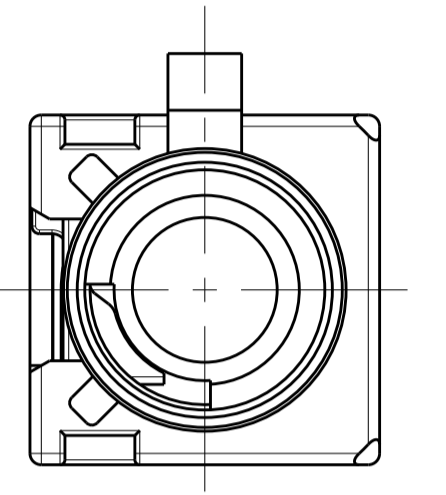
DETAIL A
SCALE 5:1



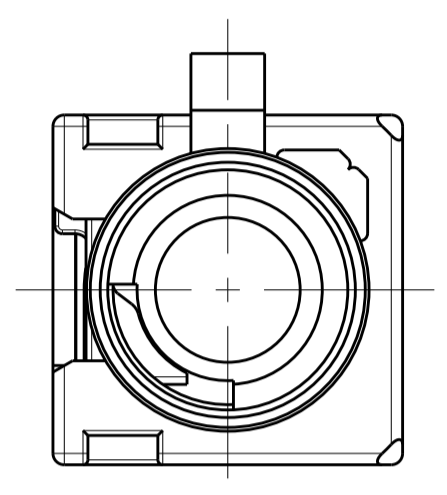
DETAIL B
SCALE 5:1



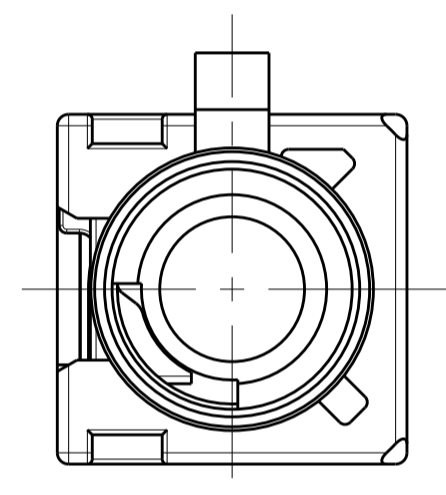
DETAIL C
SCALE 5:1



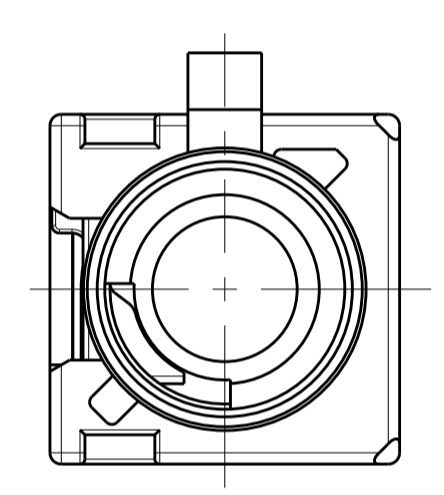
DETAIL D
SCALE 5:1



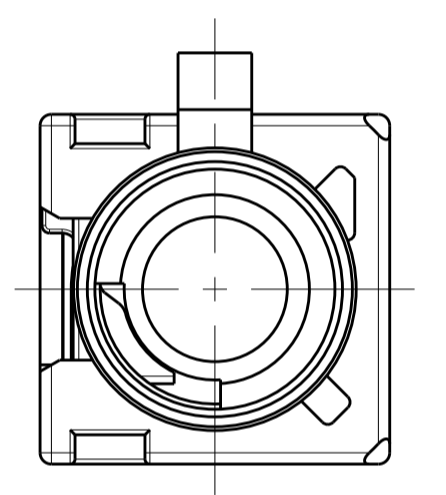
DETAIL E
SCALE 5:1



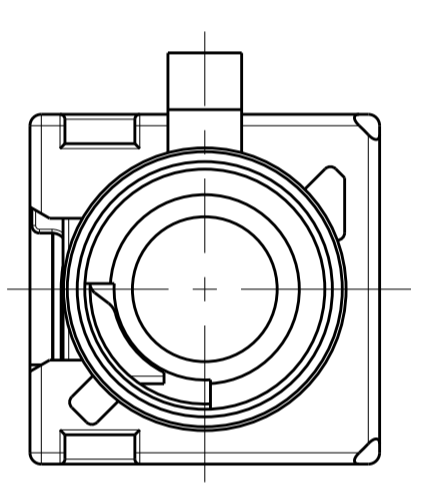
DETAIL F
SCALE 5:1



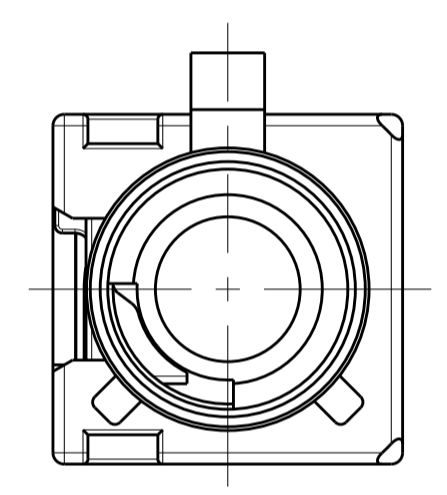
DETAIL G
SCALE 5:1



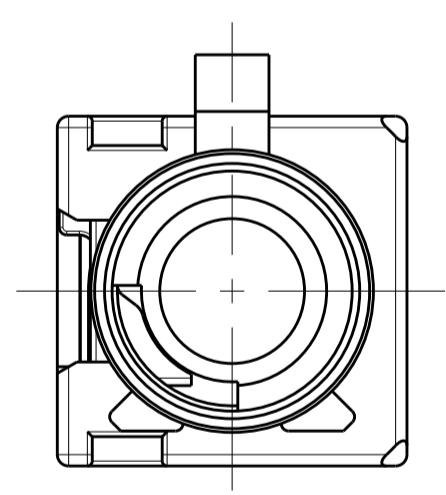
DETAIL H
SCALE 5:1



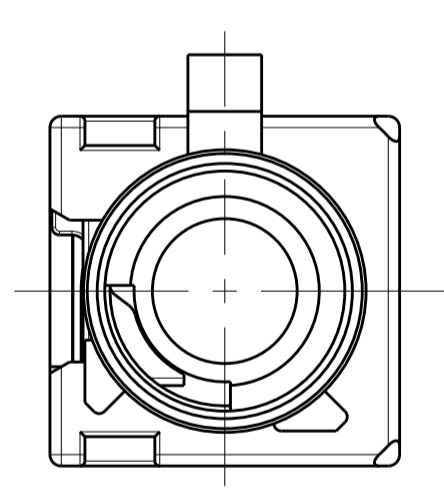
DETAIL I
SCALE 5:1



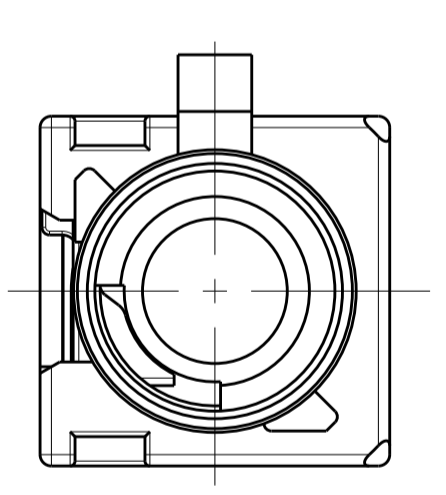
DETAIL K
SCALE 5:1



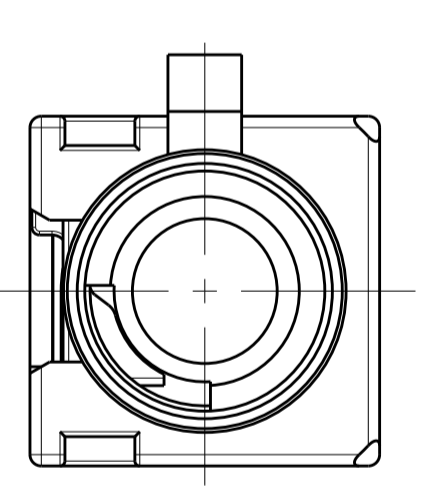
DETAIL L
SCALE 5:1



DETAIL M
SCALE 5:1



DETAIL N
SCALE 5:1



DETAIL Z
SCALE 5:1

THIS DRAWING IS A CONTROLLED DOCUMENT.		DWN J. A. BAKER 07 APR 2017	
DIMENSIONS:		CHK E. R. LOVE 28 JUL 2017	
mm	TOLERANCES UNLESS OTHERWISE SPECIFIED:	APVD E. R. LOVE 28 JUL 2017	NAME MALE HOUSING, 1 POSITION, FAKRA
	0 PLC ±	PRODUCT SPEC	SIZE A1
	1 PLC ±	108-32137	CAGE CODE -
	2 PLC ±	APPLICATION SPEC	DRAWING NO C=2203571
	3 PLC ±	114-32145	RESTRICTED TO
	4 PLC ±	WEIGHT	SCALE 8:1
	ANGLES ±	CUSTOMER DRAWING	SHEET 2 OF 2
MATERIAL	FINISH		REV A

X-ON Electronics

Largest Supplier of Electrical and Electronic Components

Click to view similar products for [Headers & Wire Housings](#) category:

Click to view products by [TE Connectivity](#) manufacturer:

Other Similar products are found below :

[892-18-020-10-001101](#) [58102-G61-06LF](#) [582553-1](#) [0009485154](#) [009176003701906](#) [0050291907](#) [LY20-4P-DT1-P1E-BR](#) [02.125.8002.8](#)
[609-3404](#) [61062-3](#) [61082-181009](#) [622-3653LF](#) [63453-116](#) [636-1030](#) [636-1427](#) [636-3427](#) [636-4007](#) [641938-9](#) [641991-4](#) [644827-2](#) [65817-](#)
[010LF](#) [65817-015LF](#) [65863-015LF](#) [66207-023LF](#) [67095-007LF](#) [67601157](#) [68645-018](#) [68648-049](#) [70.362.1628.0](#) [70-4210](#) [70-4226B](#) [70-](#)
[4853B](#) [707-5020](#) [707-5028](#) [71.350.2428.0](#) [71918-208LF](#) [71961-016LF](#) [733-134](#) [733-162](#) [754199-000](#) [760-3052](#) [787-8014-00](#) [79531-3000](#)
[FCN-360C032-B](#) [FCN-367T-T012/H](#) [FCN-723D010/2](#) [80.063.4001.1](#) [800-90-001-10-001000](#) [800-90-010-10-002000](#) [801-43-002-10-013000](#)