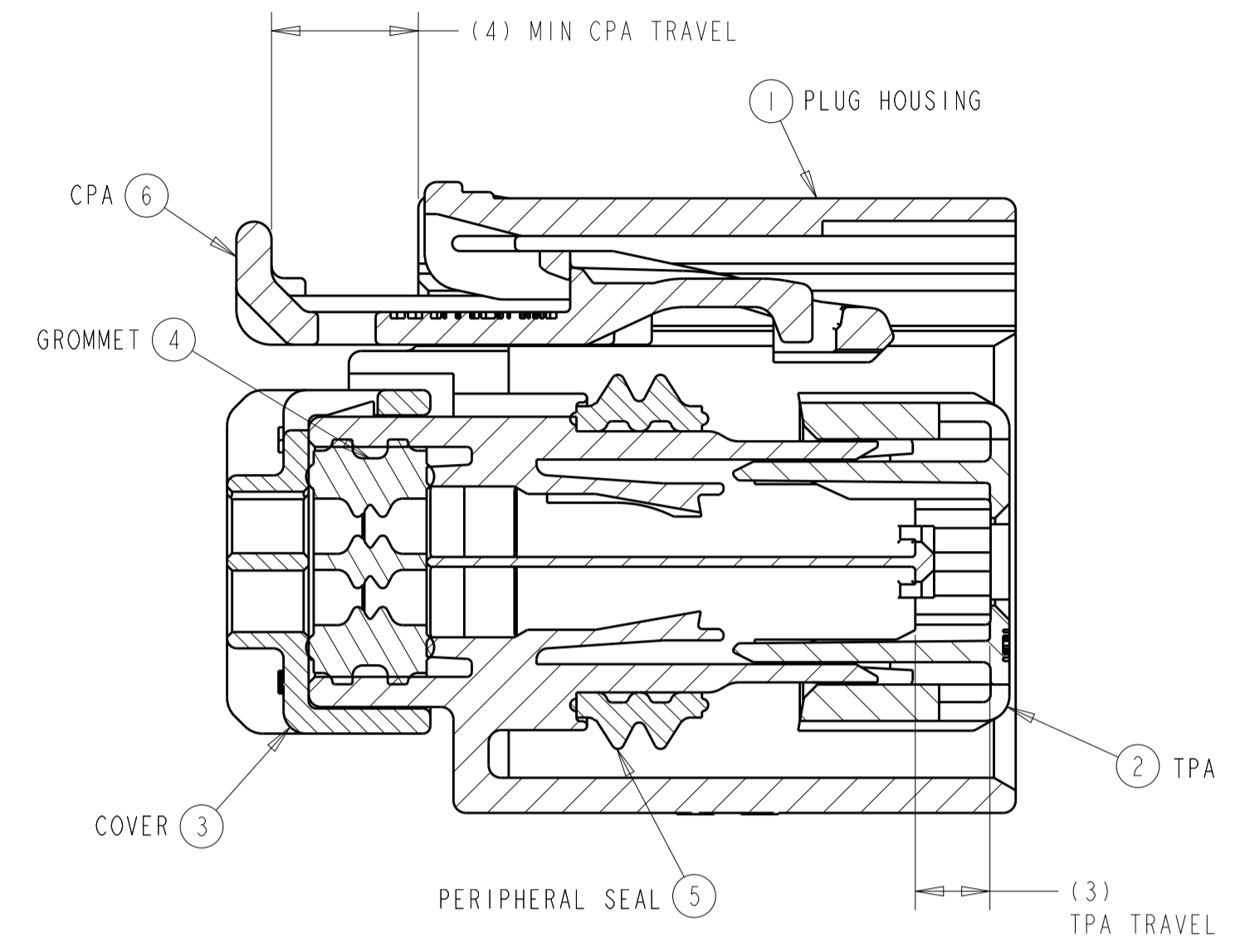
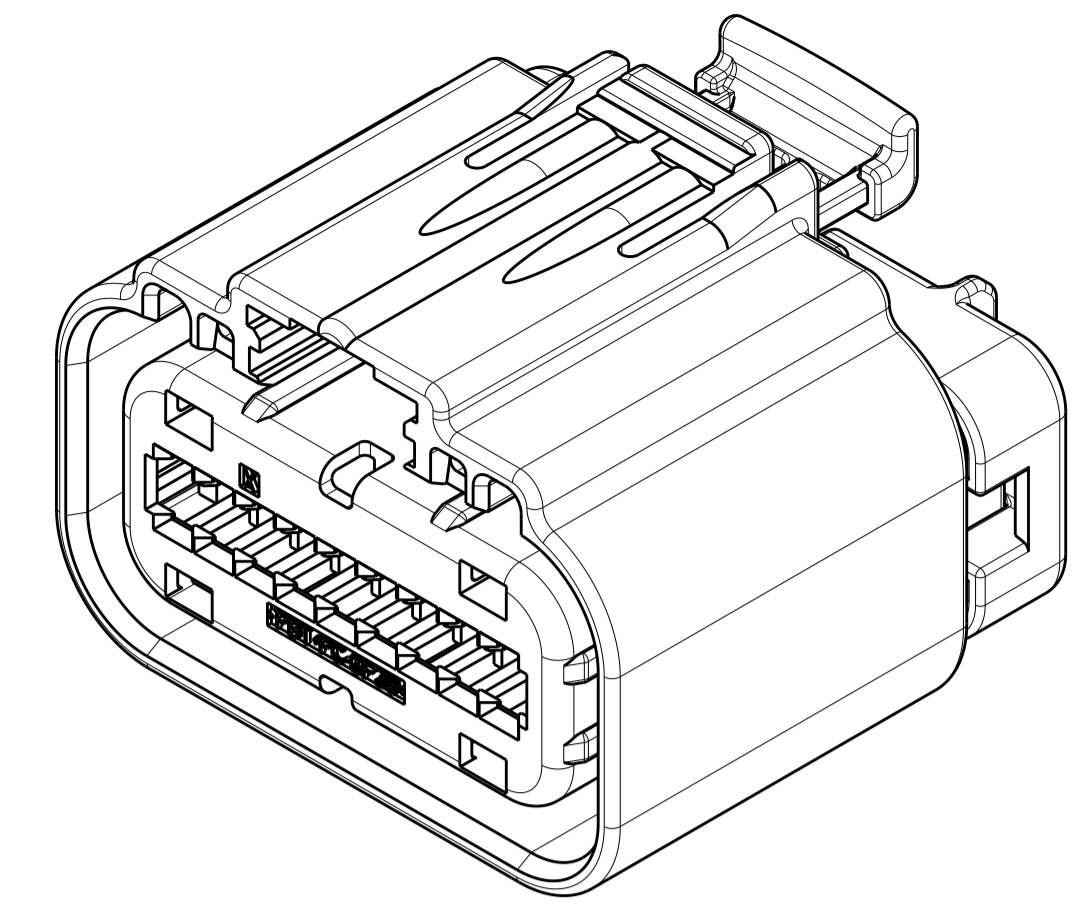
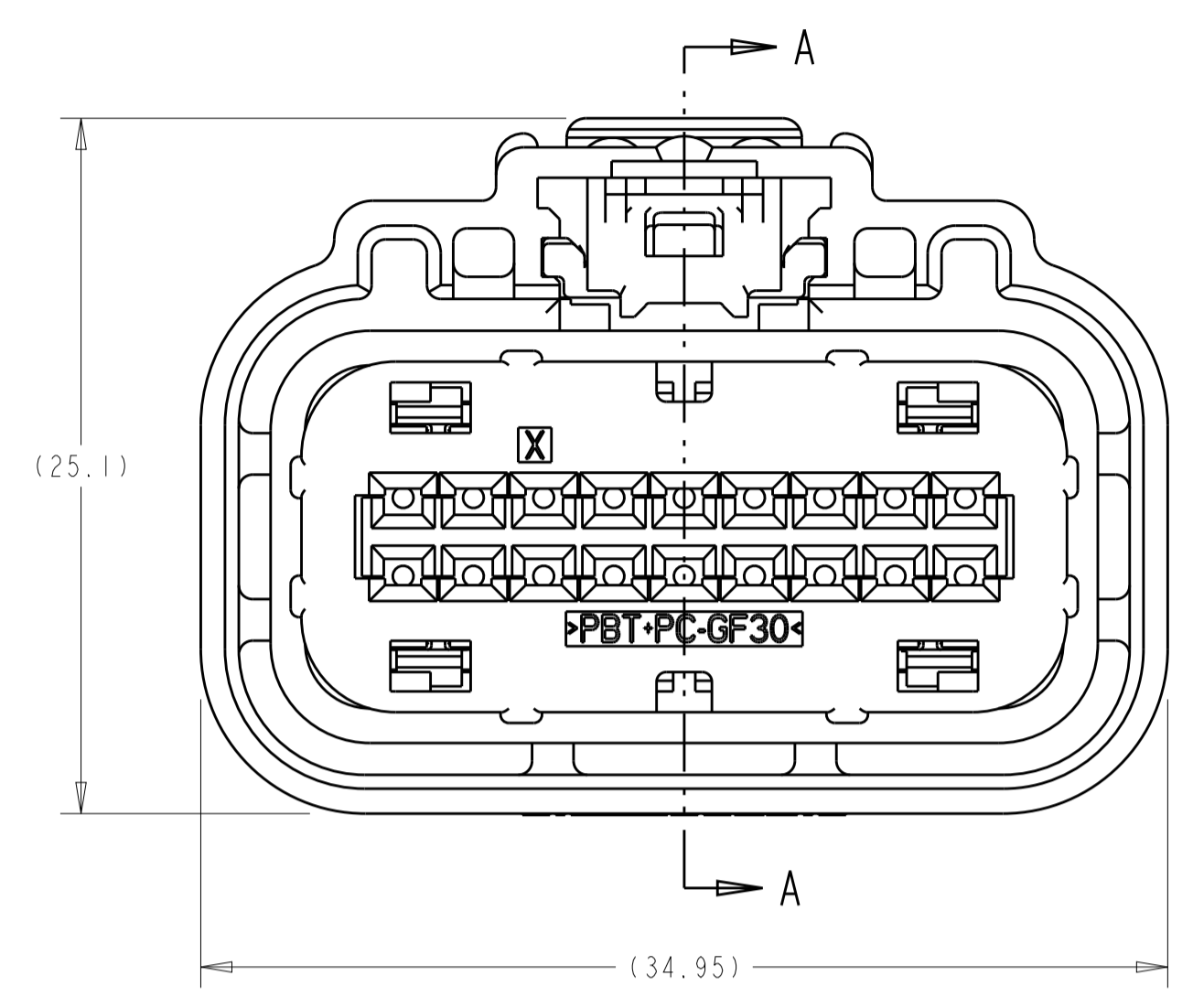


REVISIONS					
P.	LTN	DESCRIPTION	DATE	DMN	APVD
A7		REVISED PER ECO-15-018007	11JAN2016	DLD	DCM

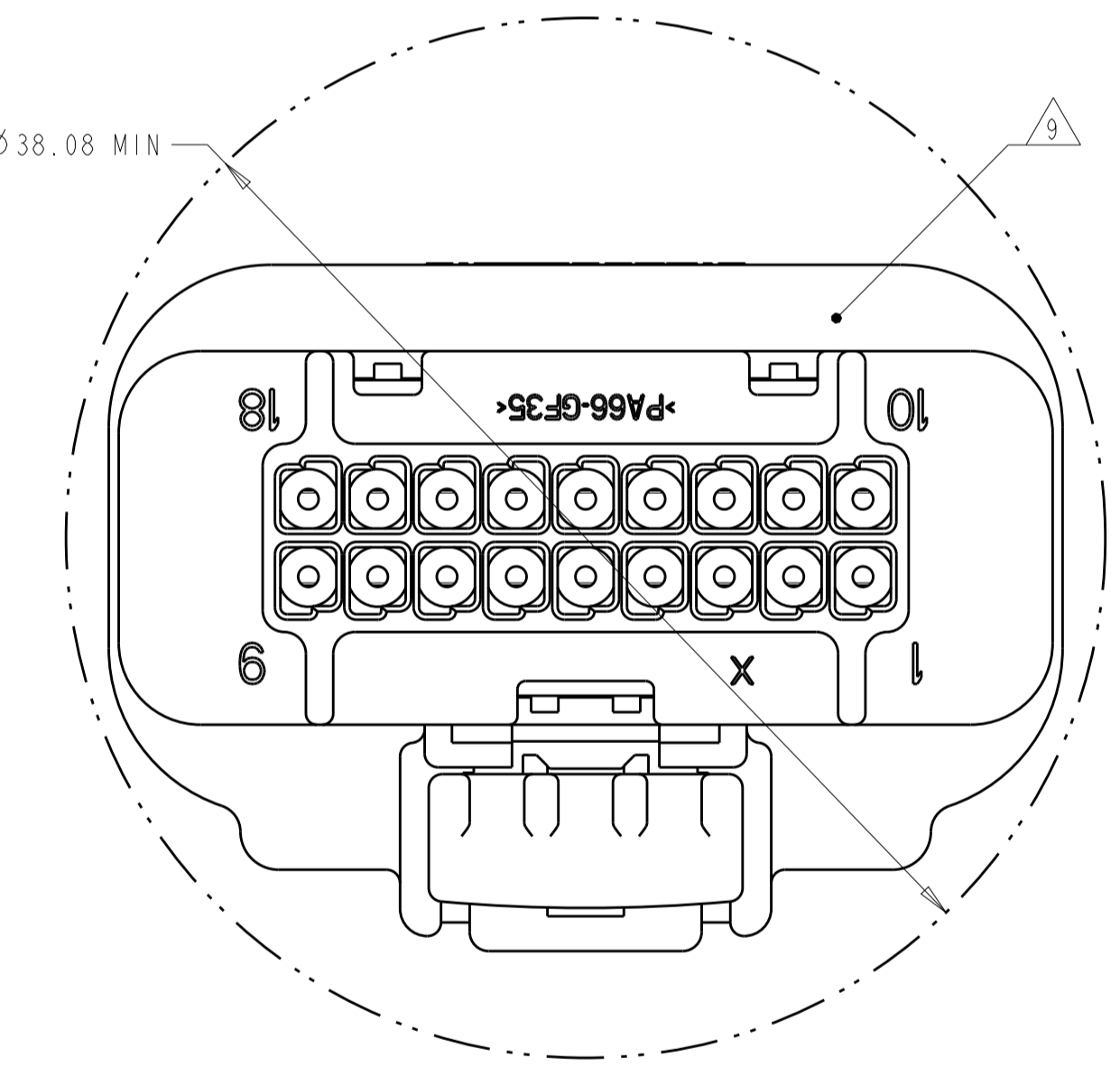
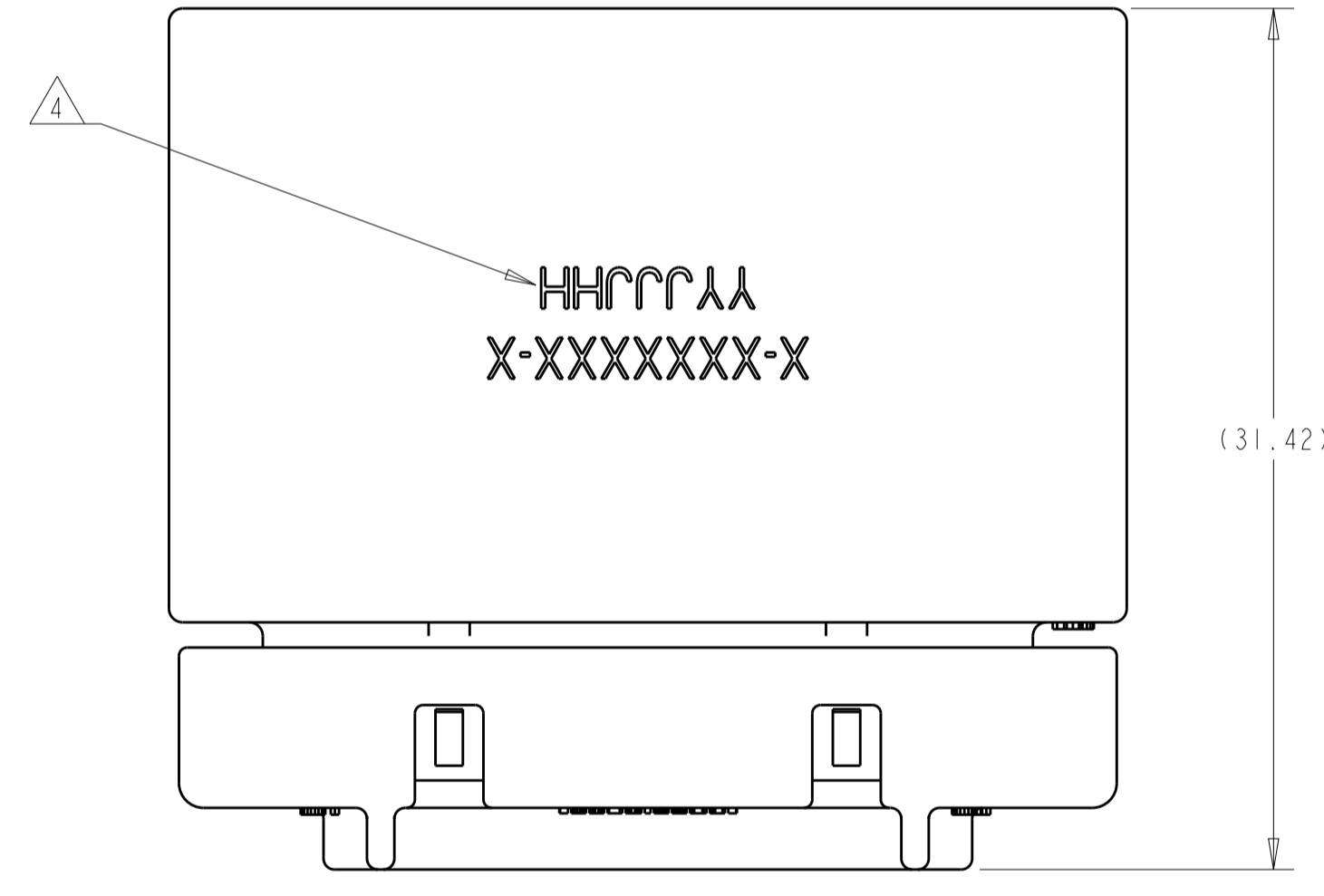


SECTION A-A  
 SHOWN WITH TPA  
 IN PRE-LOADED POSITION  
 (DELIVERY CONDITION)

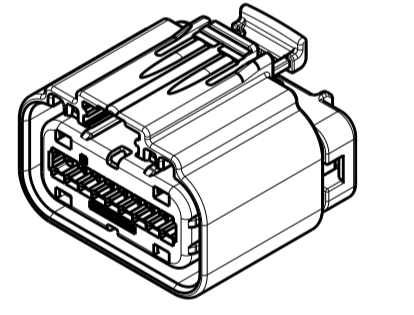


SCALE 3:1

1. APPLICABLE TERMINAL PART NUMBERS (SOLD SEPARATELY):  
 FOR TIN AND SILVER APPLICATIONS: 1393367 AND 1393366.  
 FOR GOLD APPLICATIONS: 1393365 AND 1393364.  
 FOR TERMINATION AND REELING OPTIONS  
 SEE DRAWINGS 1393367, 1393366, 1393365, AND 1393364.
2. COMPATIBLE WIRE SIZES FOR MAT SEAL DESIGN 1.19 TO 2.06 O.D.  
 (22-18 AWG, 0.35-0.75 mm<sup>2</sup>).
3. TPA IS SHIPPED IN PRE-LOADED POSITION. SOME TPA'S MAY BECOME FULLY SEATED DURING SHIPPING. USE TE INSTRUCTION SHEET 408-10128 TO REPOSITION TPA TO IT'S PRE-LOADED POSITION.
4. TE ASSEMBLY PART NUMBER (X-XXXXXXX-X) AND TRACEABILITY CODE (YY = TWO DIGIT YEAR, JJJ = JULIAN DAY, HH = TWO DIGIT MILITARY HOUR) ARE PRINTED IN THIS LOCATION.
5. APPLICABLE HEADER INTERFACE DRAWING 1488536 IS AVAILABLE UPON REQUEST. A COPY OF THIS DRAWING CAN BE OBTAINED FROM THE TE PRODUCT MANAGER, VIA YOUR TE SALES REPRESENTATIVE OR CUSTOMER SERVICE.
6. ASSEMBLIES ARE BULK PACKAGED.
7. OPTIONAL CPA IS SHIPPED IN IT'S PRE-LOADED POSITION.
8. PART NOT RELEASED TO PRODUCTION.
9. COMPANY LOGO AND MOLD CAVITY ID LOCATED ON THIS SURFACE.

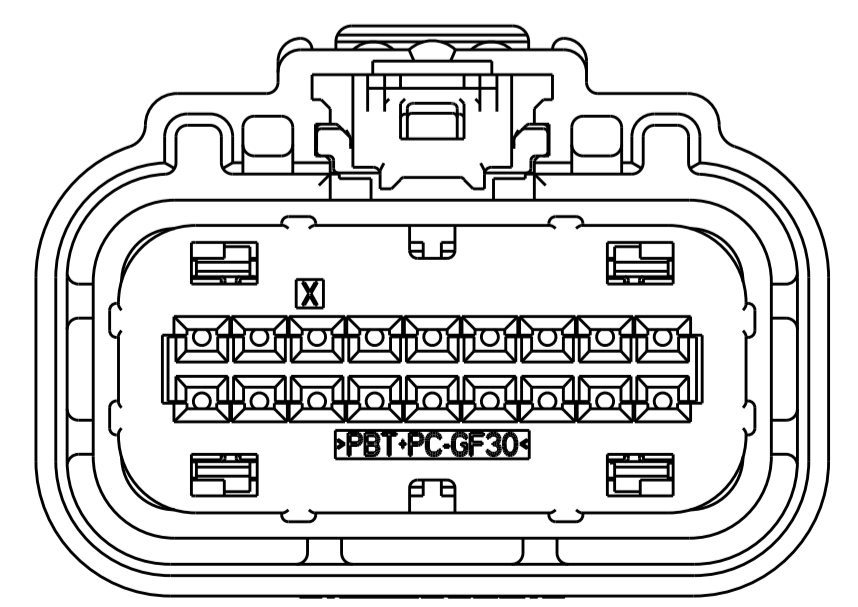


MINIMUM FEED THROUGH CONDITION  
 WITH 1mm CLEARANCE ALL AROUND

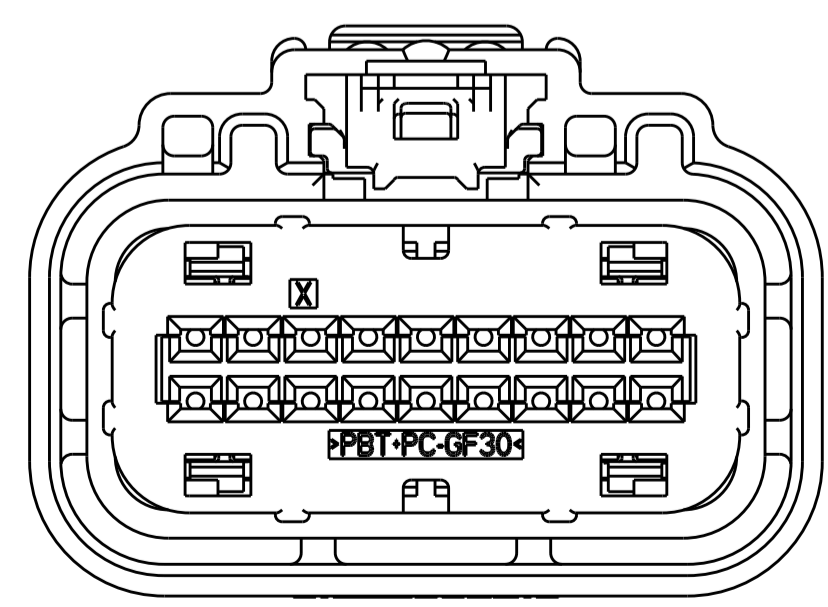


SCALE 1:1

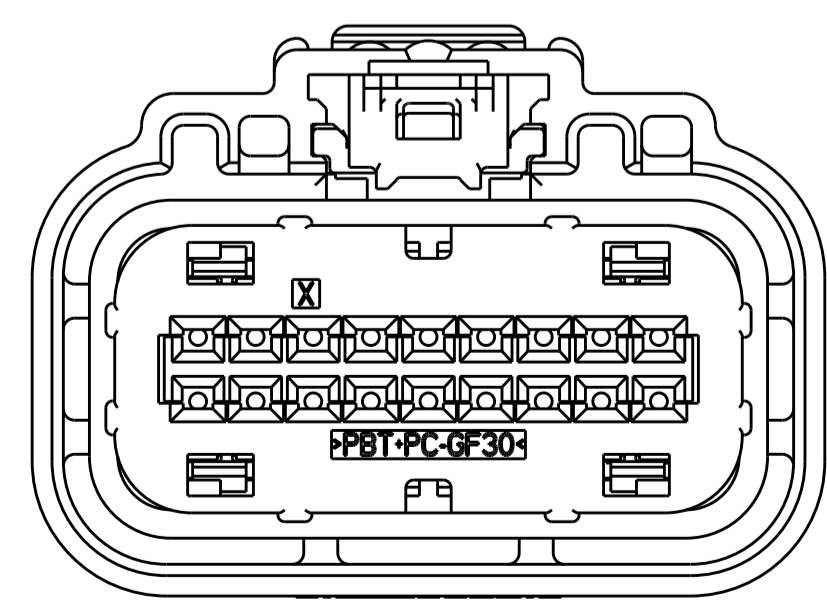
KEYING OPTION "A" SHOWN  
 SEE NOTE 5 FOR APPLICABLE  
 HEADER INTERFACE INFORMATION



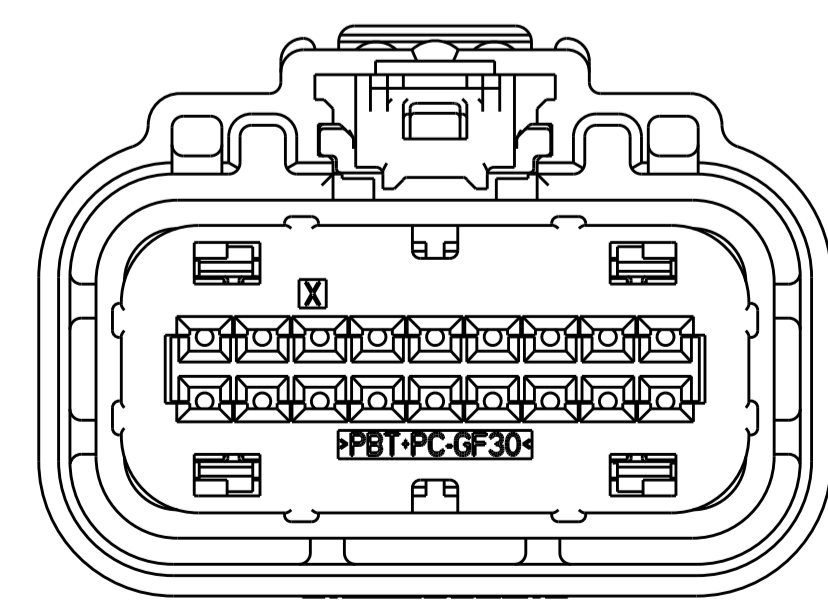
KEYING OPTION "A"  
 HOUSING COLOR: BLACK  
 SCALE 3:1



KEYING OPTION "B"  
 HOUSING COLOR: GRAY  
 SCALE 3:1



KEYING OPTION "C"  
 HOUSING COLOR: BROWN  
 SCALE 3:1



KEYING OPTION "D"  
 HOUSING COLOR: GREEN  
 SCALE 3:1

SEE SHEET 2 FOR BILL OF MATERIALS  
 AND PINOUT CHART

THIS DRAWING IS A CONTROLLED DOCUMENT.		DMN D. DRUMMOND 25FEB2013	TE Connectivity
DIMENSIONS: mm		CHK C. MARTIN 25FEB2013	
TOLERANCES UNLESS OTHERWISE SPECIFIED:		APVD C. MARTIN 25FEB2013	NAME
0 PLC ±	1 PLC ±0.3	PRODUCT SPEC	2 X 9 SEALED FEMALE PLUG ASSEMBLY
2 PLC ±0.10	3 PLC ±	108-2282	SIZE
4 PLC ±	ANGLES ±	APPLICATION SPEC	CAGE CODE DRAWING NO
MATERIAL	FINISH	114-13150	RESTRICTED TO
SEE TABLE		WEIGHT	A1 00779 ©=2203663
		CUSTOMER DRAWING	SCALE 3:1 SHEET 1 OF 2 REV A7



## X-ON Electronics

Largest Supplier of Electrical and Electronic Components

*Click to view similar products for [Automotive Connectors](#) category:*

*Click to view products by [TE Connectivity](#) manufacturer:*

Other Similar products are found below :

[003-018-000](#) [60403001](#) [60993906-B](#) [M902-2131](#) [M902-2161](#) [M902-2344](#) [72.330.1035.1](#) [73.353.4028.0](#) [F119300-B](#) [F166900](#) [F258300-B](#)  
[F358300-B](#) [F407400](#) [F444110](#) [F487000](#) [F509500B-B](#) [827153-1](#) [8N1515-32-24P](#) [9-1326729-8](#) [925474-1](#) [928905-1](#) [964562-4](#) [968782-1](#)  
[GT17SA-8DS-HU](#) [98891-1012](#) [98947-1016](#) [12004147](#) [12004475-L](#) [12010290](#) [12010309-B](#) [12015454](#) [12020219-B](#) [12041318-B](#) [12052225-](#)  
[L](#) [12052466](#) [12064869](#) [12004327-B](#) [12015308](#) [12015384](#) [12015909](#) [1-21030-1](#) [12041254](#) [12041318](#) [12047946-B](#) [12047957](#) [12047957-L](#)  
[12059473](#) [12066261](#) [12110546](#) [12110546-B](#)