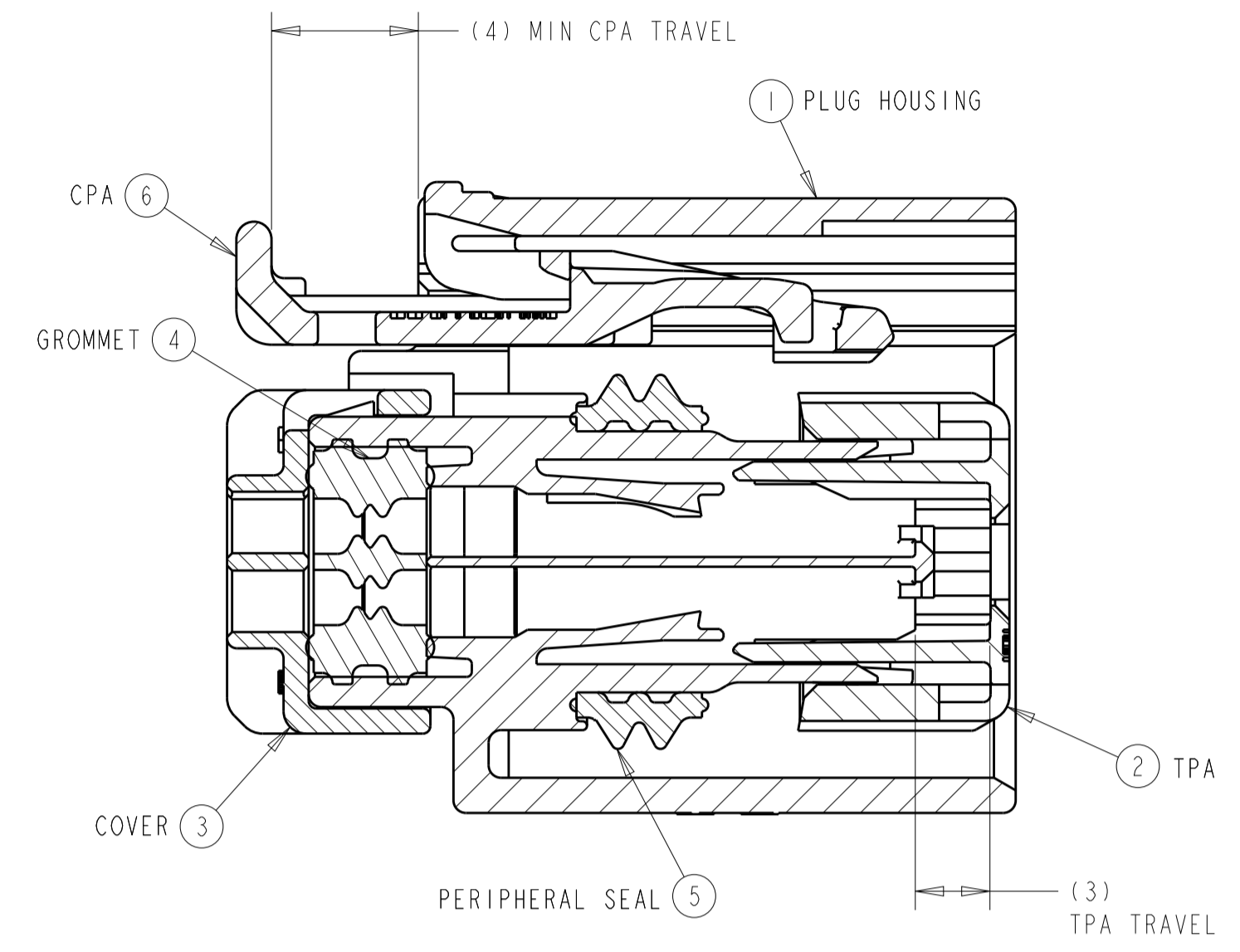
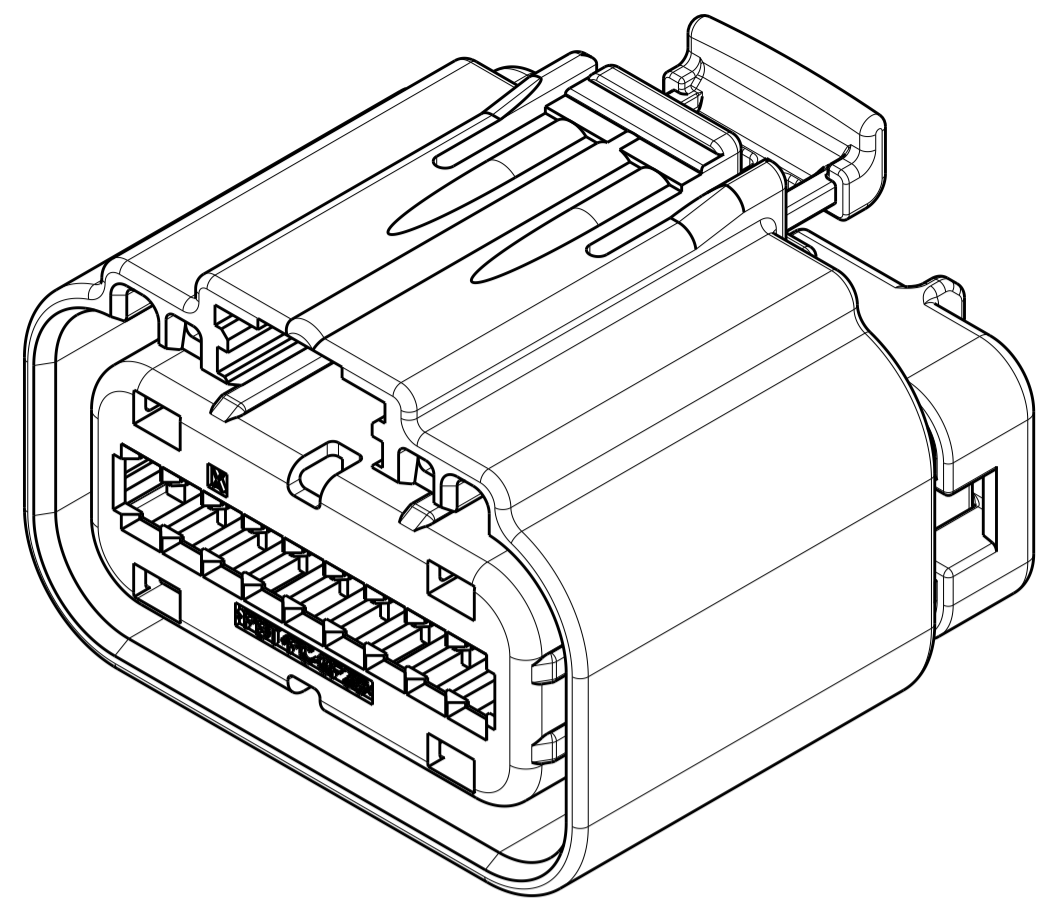
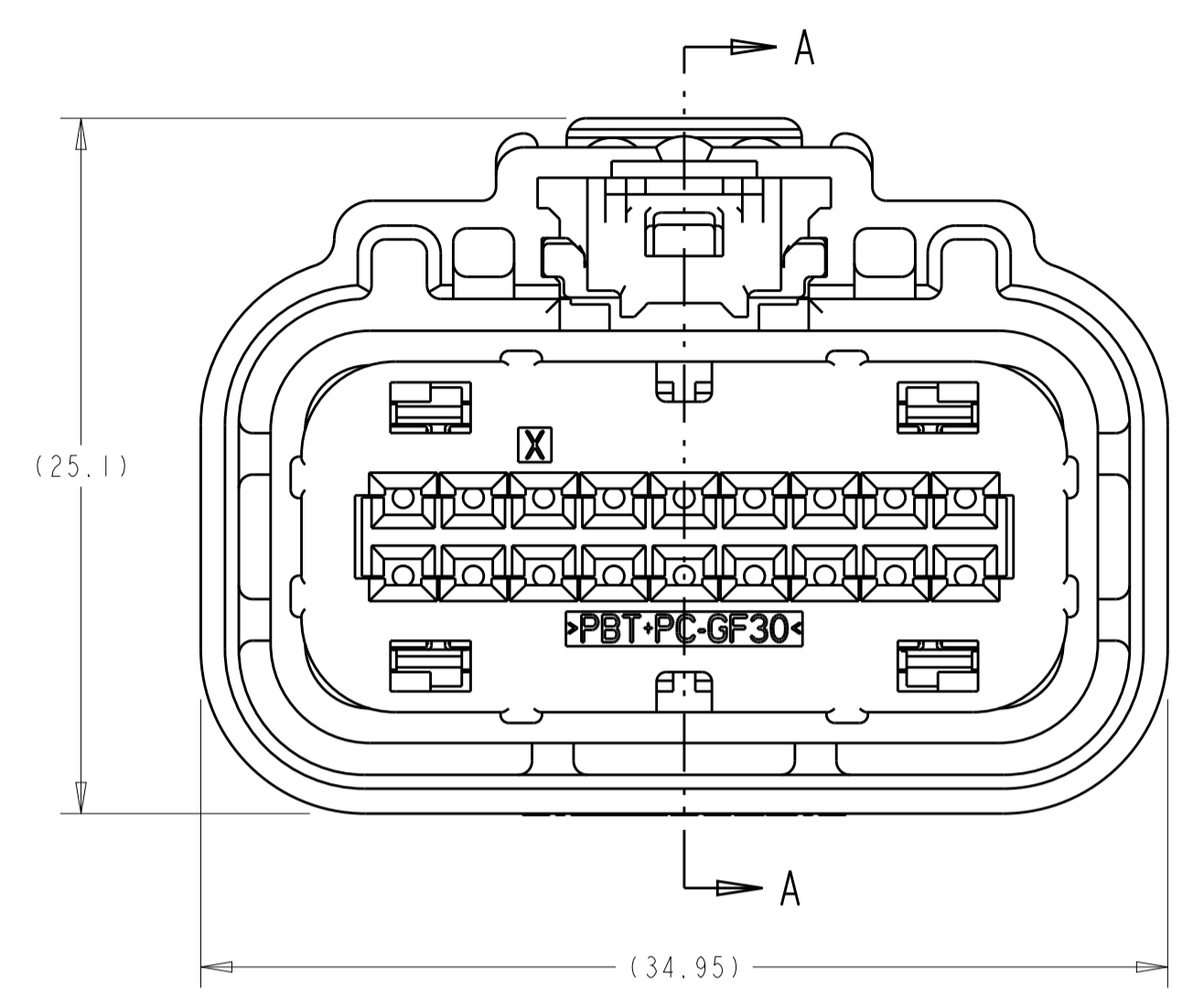


REVISIONS				
P.	LTN	DESCRIPTION	DATE	APVD
A7		REVISED PER ECO-15-018007	11JAN2016	DLD DCM

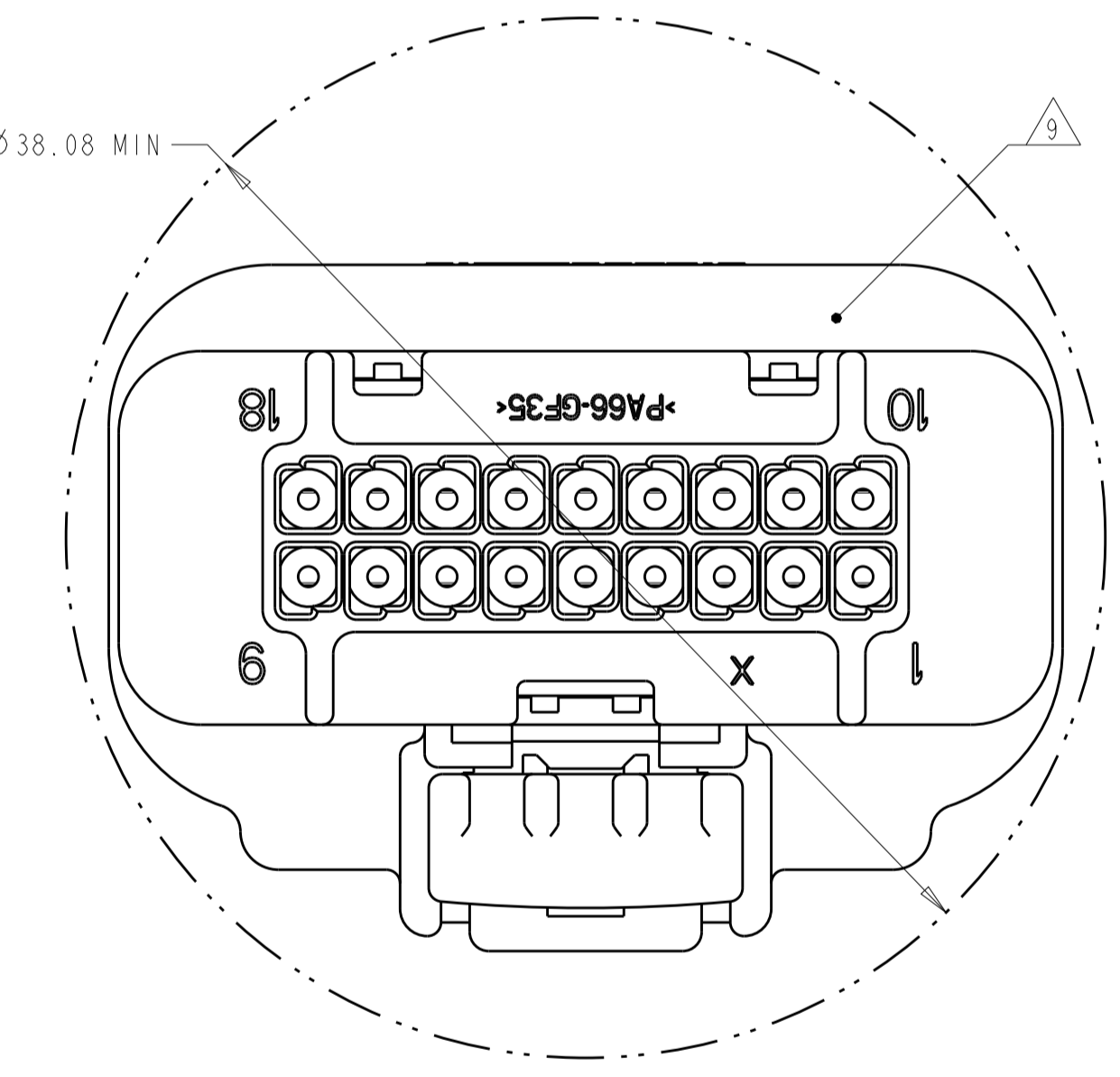
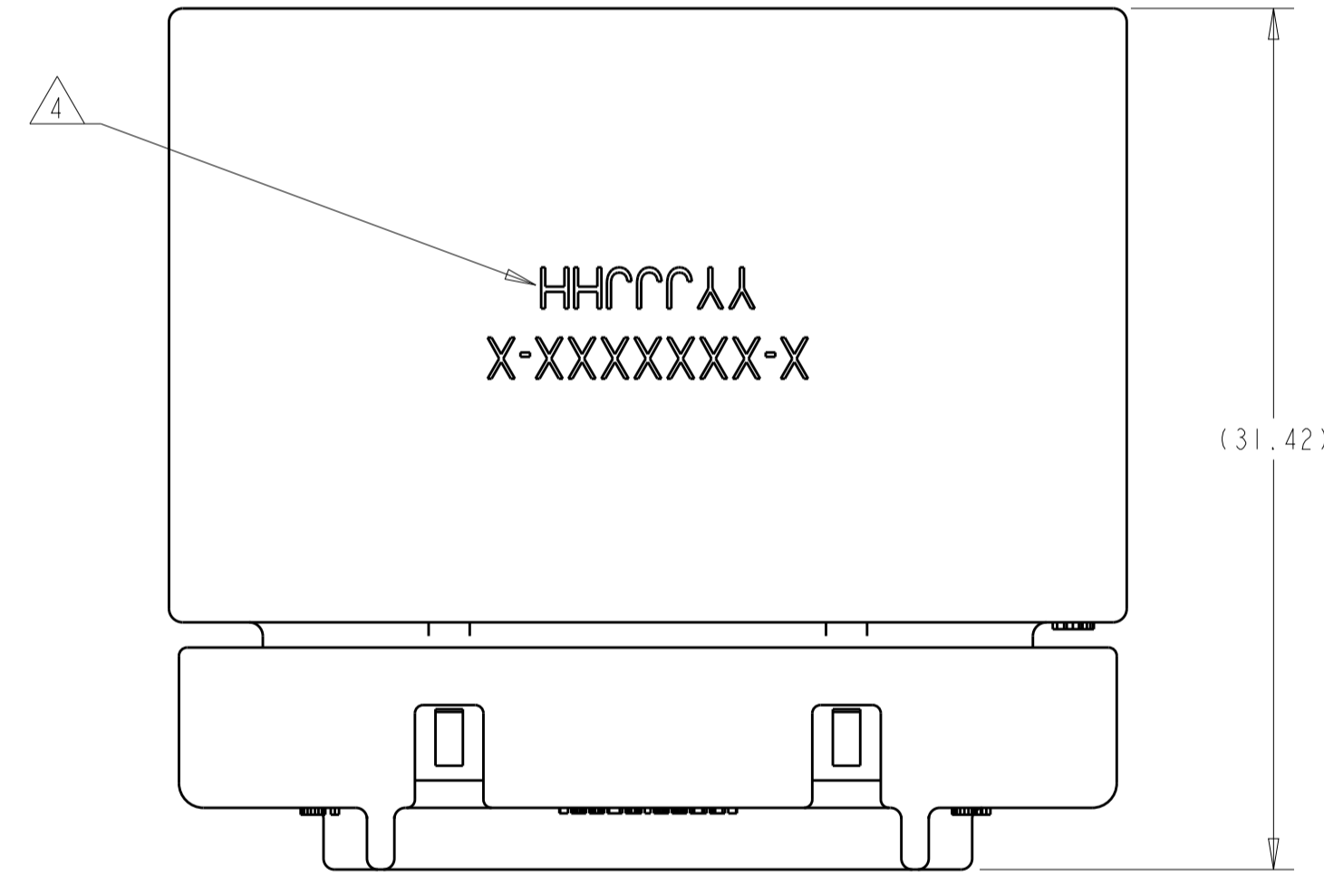


SECTION A-A
 SHOWN WITH TPA
 IN PRE-LOADED POSITION
 (DELIVERY CONDITION)

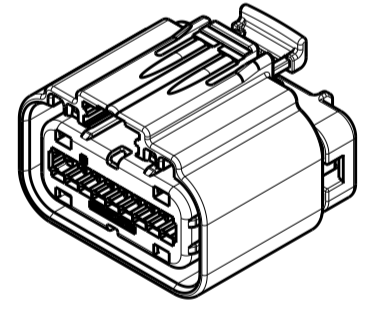


SCALE 3:1

- APPLICABLE TERMINAL PART NUMBERS (SOLD SEPARATELY):
 FOR TIN AND SILVER APPLICATIONS: 1393367 AND 1393366.
 FOR GOLD APPLICATIONS: 1393365 AND 1393364.
 FOR TERMINATION AND REELING OPTIONS
 SEE DRAWINGS 1393367, 1393366, 1393365, AND 1393364.
- COMPATIBLE WIRE SIZES FOR MAT SEAL DESIGN 1.19 TO 2.06 O.D.
 (22-18 AWG, 0.35-0.75 mm²).
- TPA IS SHIPPED IN PRE-LOADED POSITION. SOME TPA'S MAY BECOME FULLY SEATED DURING SHIPPING. USE TE INSTRUCTION SHEET 408-10128 TO REPOSITION TPA TO IT'S PRE-LOADED POSITION.
- TE ASSEMBLY PART NUMBER (X-XXXXXXX-X) AND TRACEABILITY CODE (YY = TWO DIGIT YEAR, JJJ = JULIAN DAY, HH = TWO DIGIT MILITARY HOUR) ARE PRINTED IN THIS LOCATION.
- APPLICABLE HEADER INTERFACE DRAWING 1488536 IS AVAILABLE UPON REQUEST. A COPY OF THIS DRAWING CAN BE OBTAINED FROM THE TE PRODUCT MANAGER, VIA YOUR TE SALES REPRESENTATIVE OR CUSTOMER SERVICE.
- ASSEMBLIES ARE BULK PACKAGED.
- OPTIONAL CPA IS SHIPPED IN IT'S PRE-LOADED POSITION.
- PART NOT RELEASED TO PRODUCTION.
- COMPANY LOGO AND MOLD CAVITY ID LOCATED ON THIS SURFACE.

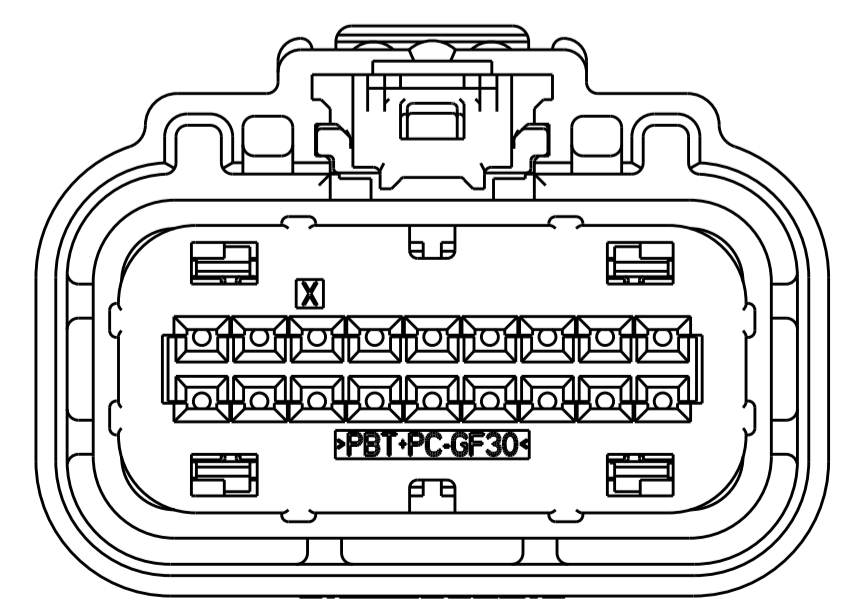


MINIMUM FEED THROUGH CONDITION
 WITH 1mm CLEARANCE ALL AROUND

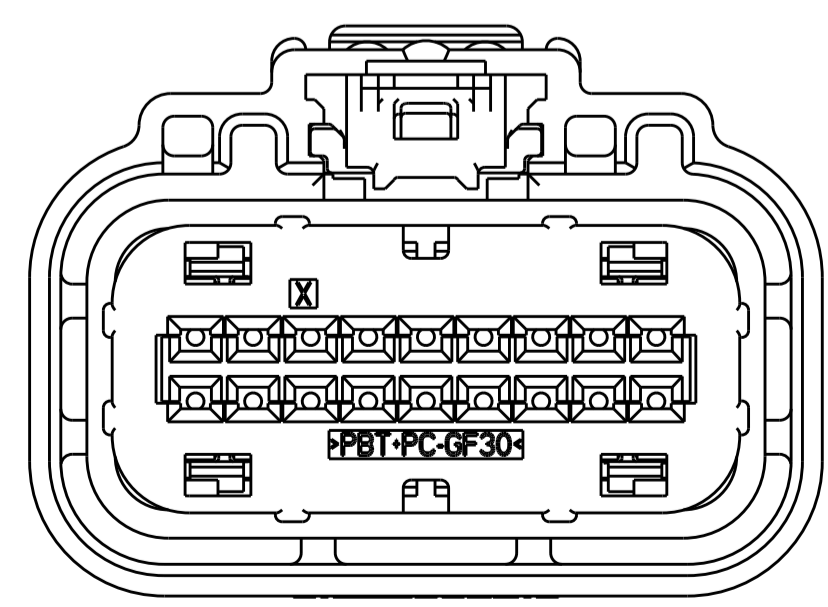


SCALE 1:1

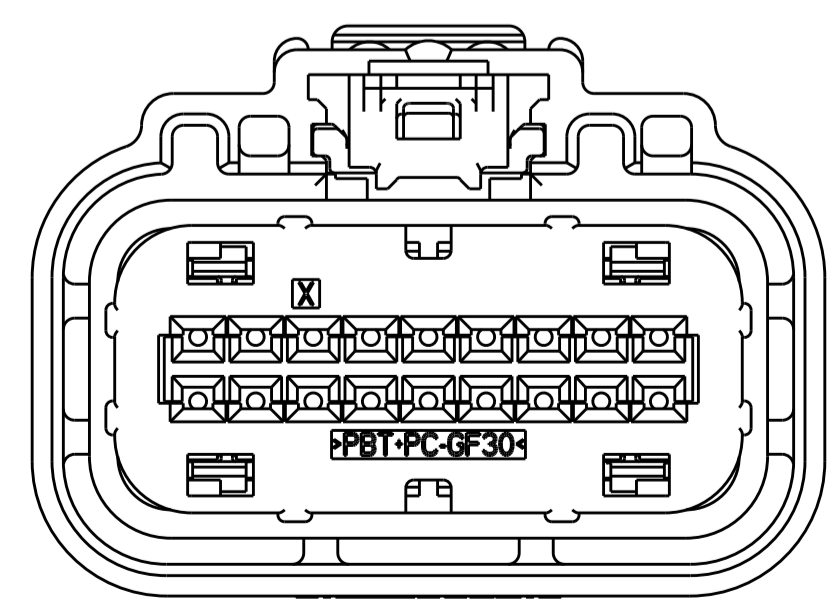
KEYING OPTION "A" SHOWN
 SEE NOTE 5 FOR APPLICABLE
 HEADER INTERFACE INFORMATION



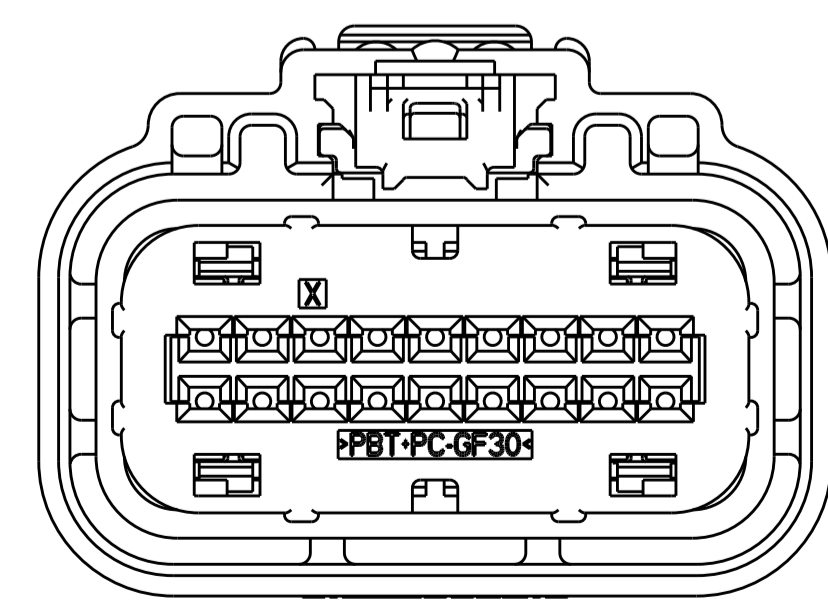
KEYING OPTION "A"
 HOUSING COLOR: BLACK
 SCALE 3:1



KEYING OPTION "B"
 HOUSING COLOR: GRAY
 SCALE 3:1



KEYING OPTION "C"
 HOUSING COLOR: BROWN
 SCALE 3:1



KEYING OPTION "D"
 HOUSING COLOR: GREEN
 SCALE 3:1

SEE SHEET 2 FOR BILL OF MATERIALS
 AND PINOUT CHART

THIS DRAWING IS A CONTROLLED DOCUMENT.		OWN: D. DRUMMOND 25FEB2013	TE Connectivity
DIMENSIONS: mm		CHK: C. MARTIN 25FEB2013	
TOLERANCES UNLESS OTHERWISE SPECIFIED:		APVD: C. MARTIN 25FEB2013	NAME: 2 X 9 SEALED FEMALE PLUG ASSEMBLY
0 PLC ±	1 PLC ±0.3	PRODUCT SPEC: 108-2282	SIZE: A1
2 PLC ±0.10	3 PLC ±	APPLICATION SPEC: 114-13150	CAGE CODE: 00779
4 PLC ±	ANGLES ±	WEIGHT: -	REV: A7
MATERIAL: -		CUSTOMER DRAWING	SCALE: 3:1 SHEET 1 OF 2

X-ON Electronics

Largest Supplier of Electrical and Electronic Components

Click to view similar products for [Automotive Connectors](#) category:

Click to view products by [TE Connectivity](#) manufacturer:

Other Similar products are found below :

[003-018-000](#) [600858](#) [60403001](#) [60993906-B](#) [60993913-B](#) [629515004020001](#) [M902-2131](#) [M902-2161](#) [M902-2344](#) [72.330.1035.1](#)
[73.353.4028.0](#) [F118010](#) [F119300-B](#) [F132210](#) [F132210-B](#) [F166900](#) [F180100](#) [F258300](#) [F258300-B](#) [F294300-B](#) [F339100](#) [F339700](#) [F358300-](#)
[B](#) [F374110](#) [F407400](#) [F412210](#) [F427600](#) [F444110](#) [F487000](#) [F495100-B](#) [F500900-B](#) [F509500B-B](#) [770444-1](#) [776880-1](#) [827153-1](#) [881735-1](#)
[8N1515-32-24P](#) [9-1326727-8](#) [9-1326729-8](#) [925467-1](#) [925474-1](#) [928905-1](#) [936398-2](#) [964562-1](#) [964562-4](#) [964731-2](#) [965051-1](#) [968782-1](#)
[GT17SA-8DS-HU](#) [GT17VS-10DP-5.2CF](#)