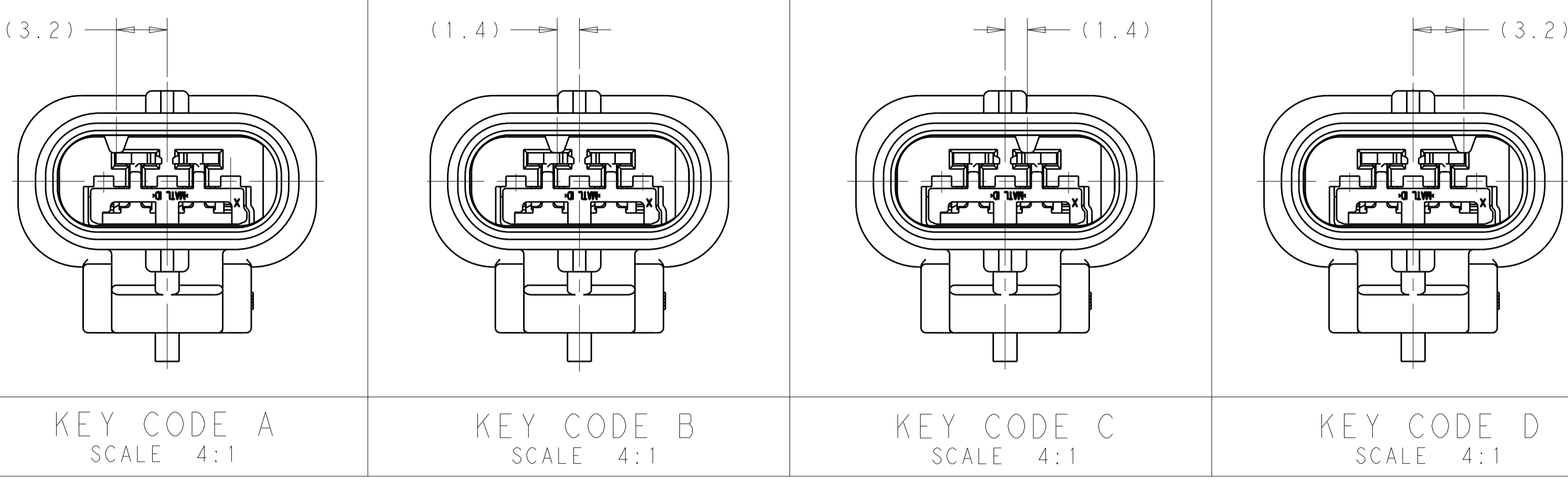
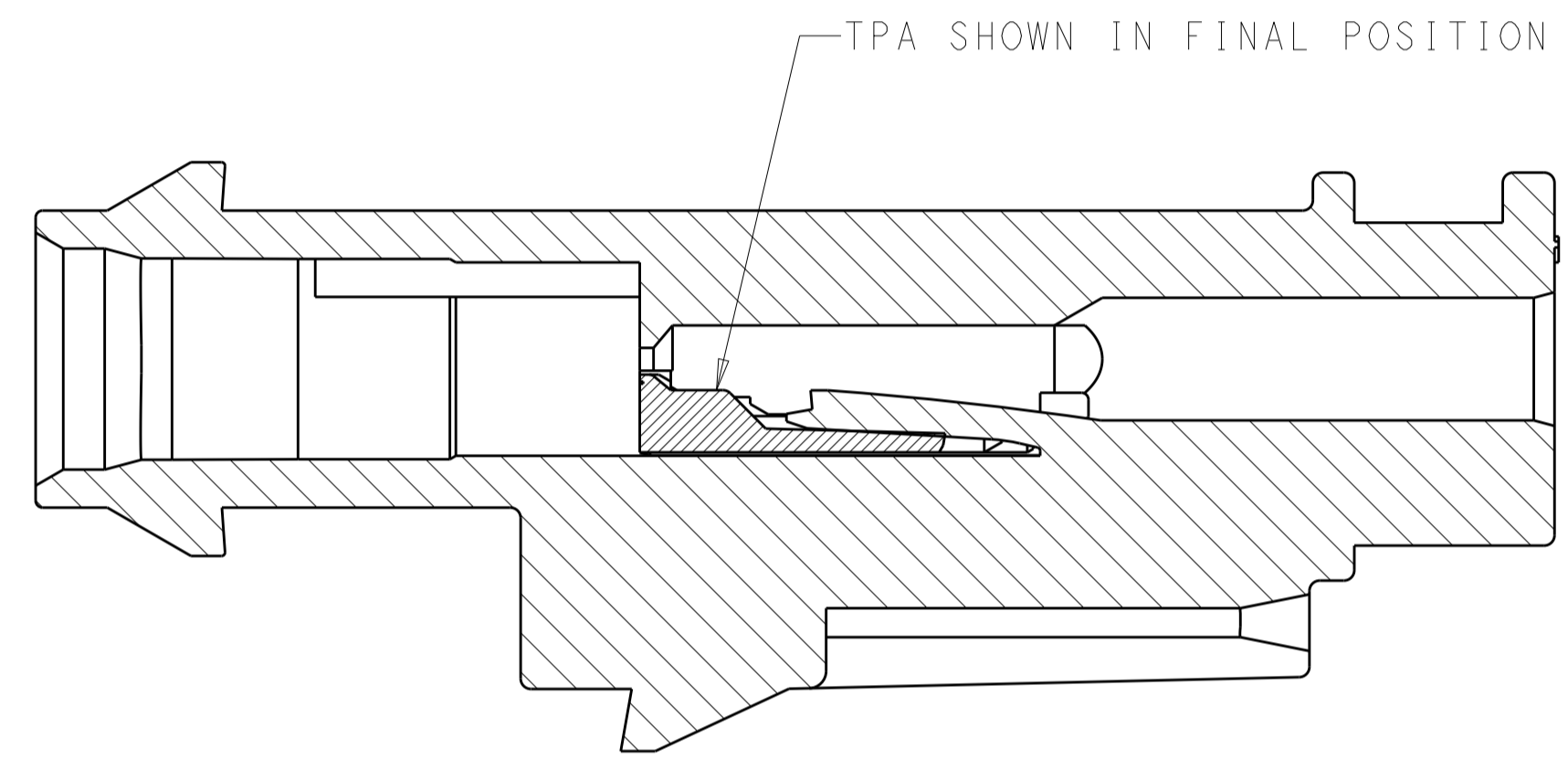


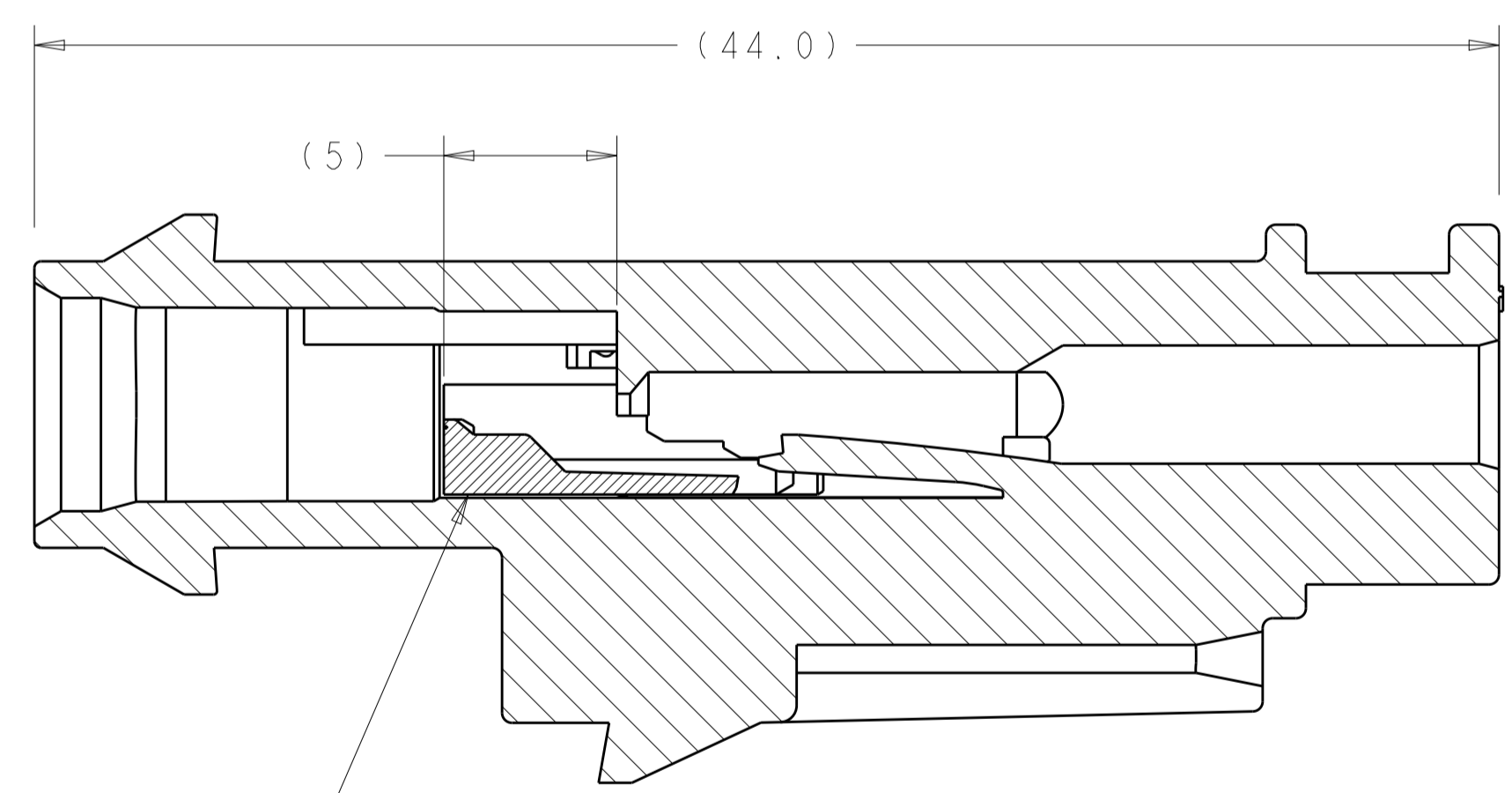
REVISIONS				
P.	LTN	DESCRIPTION	DATE	DWN APVD
A		RELEASED PER ECO-15-012149	21AUG2015	DLD MDB
B		REVISED PER ECO-17-003503	14MAR2017	DLD JLT



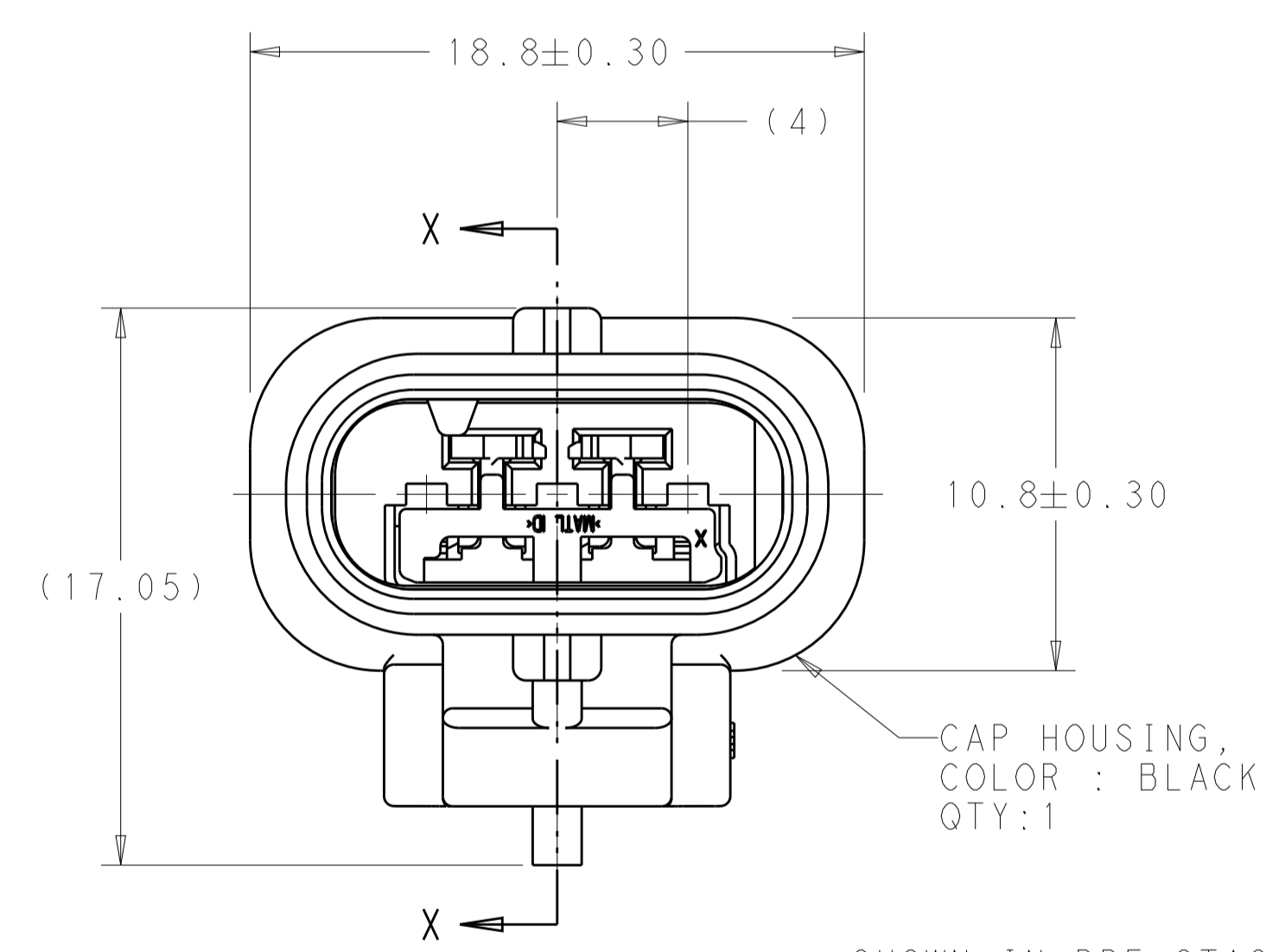
- △ CAP ASSEMBLY IS SHIPPED WITH TPA IN PRE-STAGED POSITION. SEE INSTRUCTION SHEET 408-32094 FOR CONNECTOR SERVICE AND TPA OPERATION.
- 2. TERMINALS SOLD SEPARATELY. FOR USE WITH TE MCON 1.2mm CLEAN BODY TAB CONTACT WITH WIRE SEAL. SEE TABLE.
- 3. FOR OPTIONAL TERMINAL CAVITY BLOCKING, CONTACT TE SALES REPRESENTATIVE OR CUSTOMER SERVICE.
- △ CONTACT PLATING AND APPLICABLE INDIVIDUAL WIRE SEAL ARE APPLICATION DEPENDENT. CONTACT TE SALES REPRESENTATIVE OR CUSTOMER SERVICE FOR DETAILS.
- △ FOR WIRE CRIMP DETAILS, SEE TE APPLICATION SPECIFICATION 114-18464.
- △ DOCUMENTED I.C.D. IS SPECIFIED TO MEET MOST WIRE SEAL APPLICATIONS. HOWEVER, I.C.D. IS HIGHLY DEPENDENT ON INSULATION TYPE AND OD. SUFFICIENT GRIP OF THE WIRE SEAL MUST BE OBTAINED SUCH THAT WIRE SEAL DOES NOT DISPLACE FROM INSULATION GRIP DURING CONTACT INSERTION INTO CONNECTOR HOUSING. THE WIRE SEAL SHALL NOT BE CRIMPED TOO TIGHTLY THAT THE WIRE SEAL TEARS DURING THE CRIMPING OPERATION.
- 7. CAP ASSEMBLY ACCEPTS ACCESSORY CLIPS DESIGNED TO FUNCTION IN CLIP SLOT DEFINED BY EWCAP-005-7, REVISION A.
- 8. CONNECTOR VALIDATION PER USCAR-2 (REV 6) T4,V2,S3.
- 9. TRACEABILITY CODE (YY = TWO DIGIT YEAR, JJJ = 3 DIGIT JULIAN DAY, S = 1 DIGIT SHIFT).
- △ NOTE REMOVED



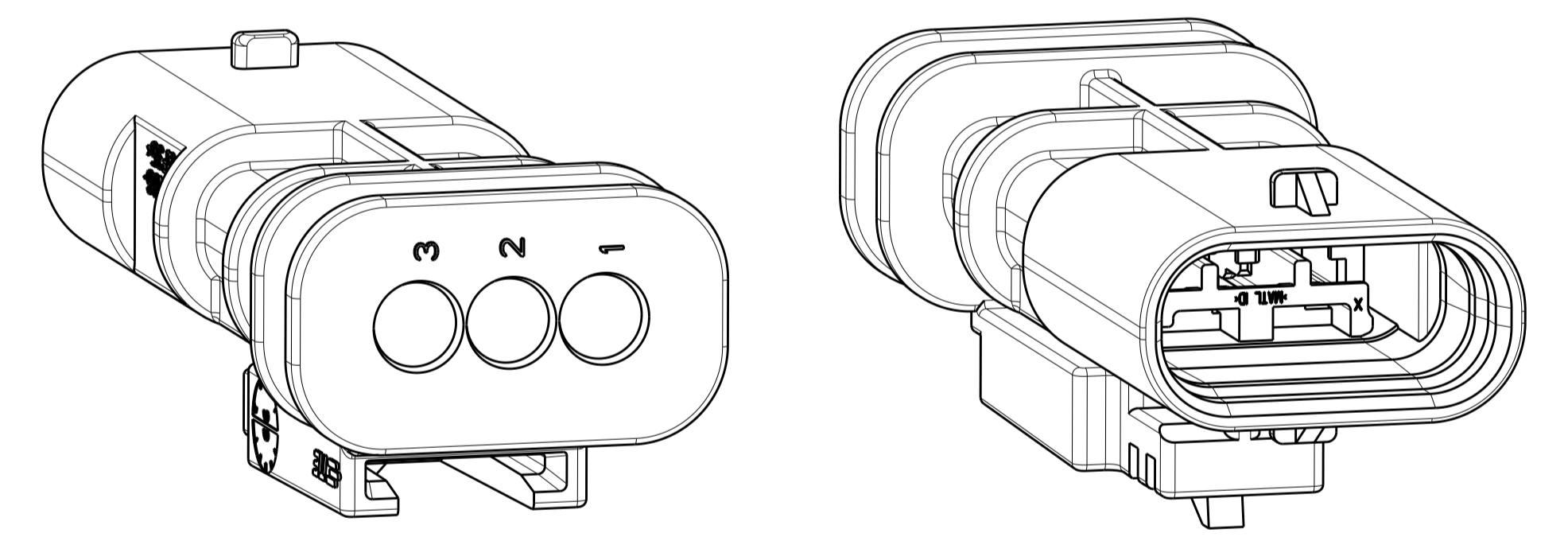
SECTION X-X



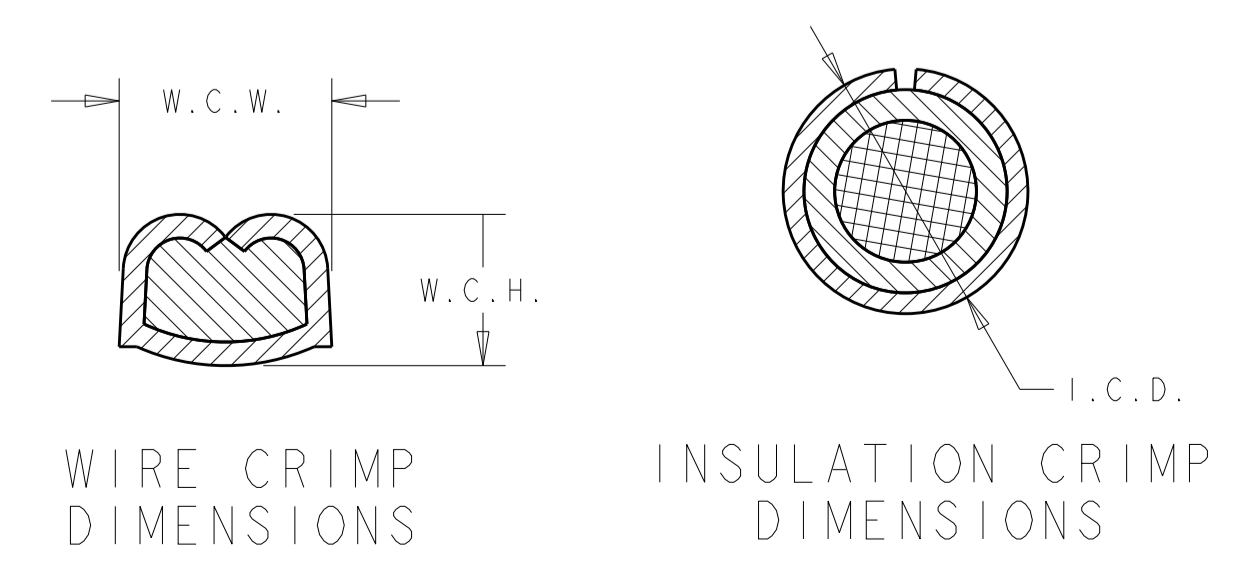
SECTION X-X



SHOWN IN PRE-STAGED (AS SHIPPED) POSITION
 COLOR : GRAY
 QTY: 1



ISOMETRIC VIEWS
 SCALE 4:1



150°C	2141114	△	△	△	△
△	2141116				
	2177610				
MAX TEMP	MALE TERMINAL P/N	W.C.H	W.C.W	I.C.D	WIRE SEAL PART NUMBER

THIS DRAWING IS A CONTROLLED DOCUMENT.		DWN	VISHNU.P	13MAY2013
DIMENSIONS:		CHK	MD BROWN	13MAY2013
mm		APVD	MD BROWN	13MAY2013
TOLERANCES UNLESS OTHERWISE SPECIFIED:		NAME		
0 PLC ±		PRODUCT SPEC		
1 PLC ±0.3		APPLICATION SPEC		
2 PLC ±		SIZE		
3 PLC ±0.15		CAGE CODE		
4 PLC ±		DRAWING NO		
ANGLES ±		RESTRICTED TO		
FINISH		WEIGHT		
MATERIAL		CUSTOMER DRAWING		

D	2203772-4
C	2203772-3
B	2203772-2
A	2203772-1
KEY CODE	PART NUMBER

TE TE Connectivity

CAP ASSEMBLY, SEALED, 3 POSITION, MCON

SIZE: A1 CAGE CODE: 00779 DRAWING NO: 2203772

SCALE: 5:1 SHEET: 1 OF 1 REV: B

X-ON Electronics

Largest Supplier of Electrical and Electronic Components

Click to view similar products for [Automotive Connectors](#) category:

Click to view products by [TE Connectivity](#) manufacturer:

Other Similar products are found below :

[003-018-000](#) [60403001](#) [60993906-B](#) [M902-2131](#) [M902-2161](#) [72.330.1035.1](#) [73.353.4028.0](#) [F119300-B](#) [F166900](#) [F258300-B](#) [F358300-B](#)
[F407400](#) [F444110](#) [F487000](#) [F509500B-B](#) [827153-1](#) [8N1515-32-24P](#) [9-1326729-8](#) [925474-1](#) [928905-1](#) [964562-4](#) [968782-1](#) [GT17SA-8DS-](#)
[HU](#) [98891-1012](#) [98947-1016](#) [12004147](#) [12004475-L](#) [12010290](#) [12010309-B](#) [12015454](#) [12020219-B](#) [12020308](#) [12041318-B](#) [12052225-L](#)
[12052466](#) [12059125](#) [12064869](#) [12004327-B](#) [12010503-B](#) [12015308](#) [12015384](#) [12015909](#) [1-21030-1](#) [12041254](#) [12041318](#) [12047946-B](#)
[12047957](#) [12047957-L](#) [12059473](#) [12066261](#)