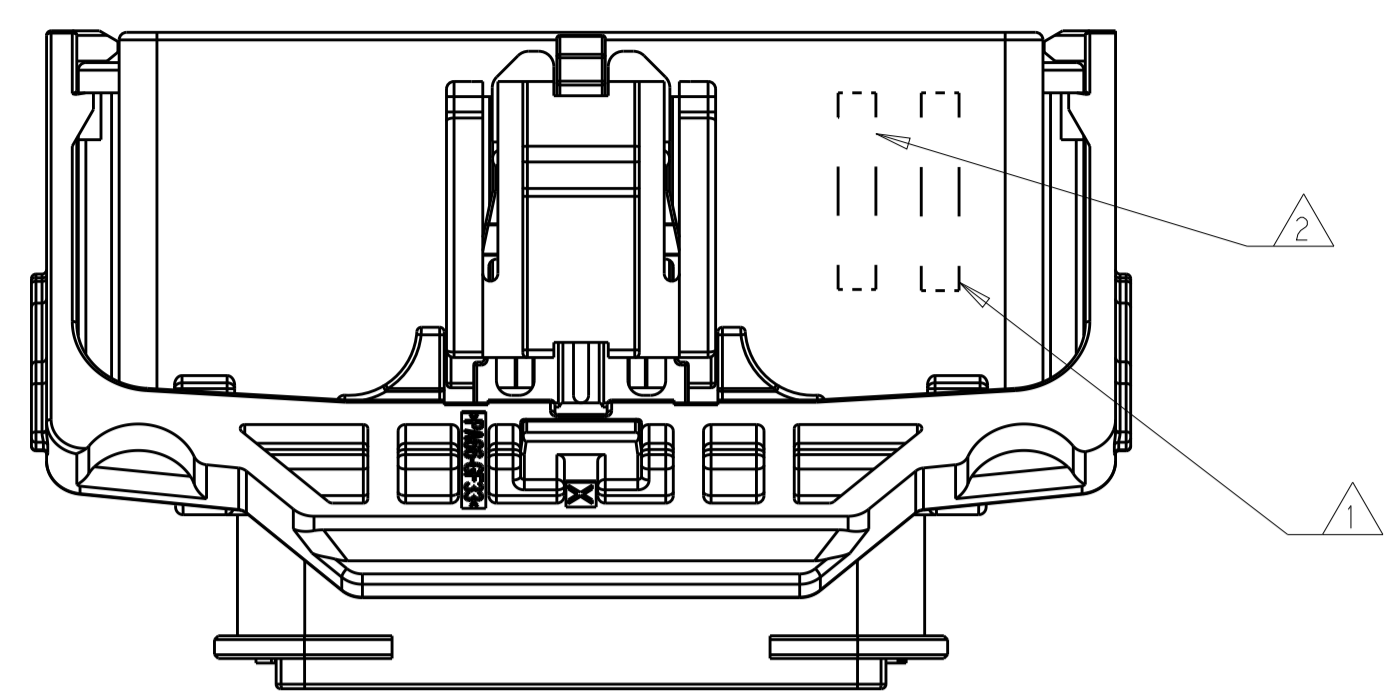
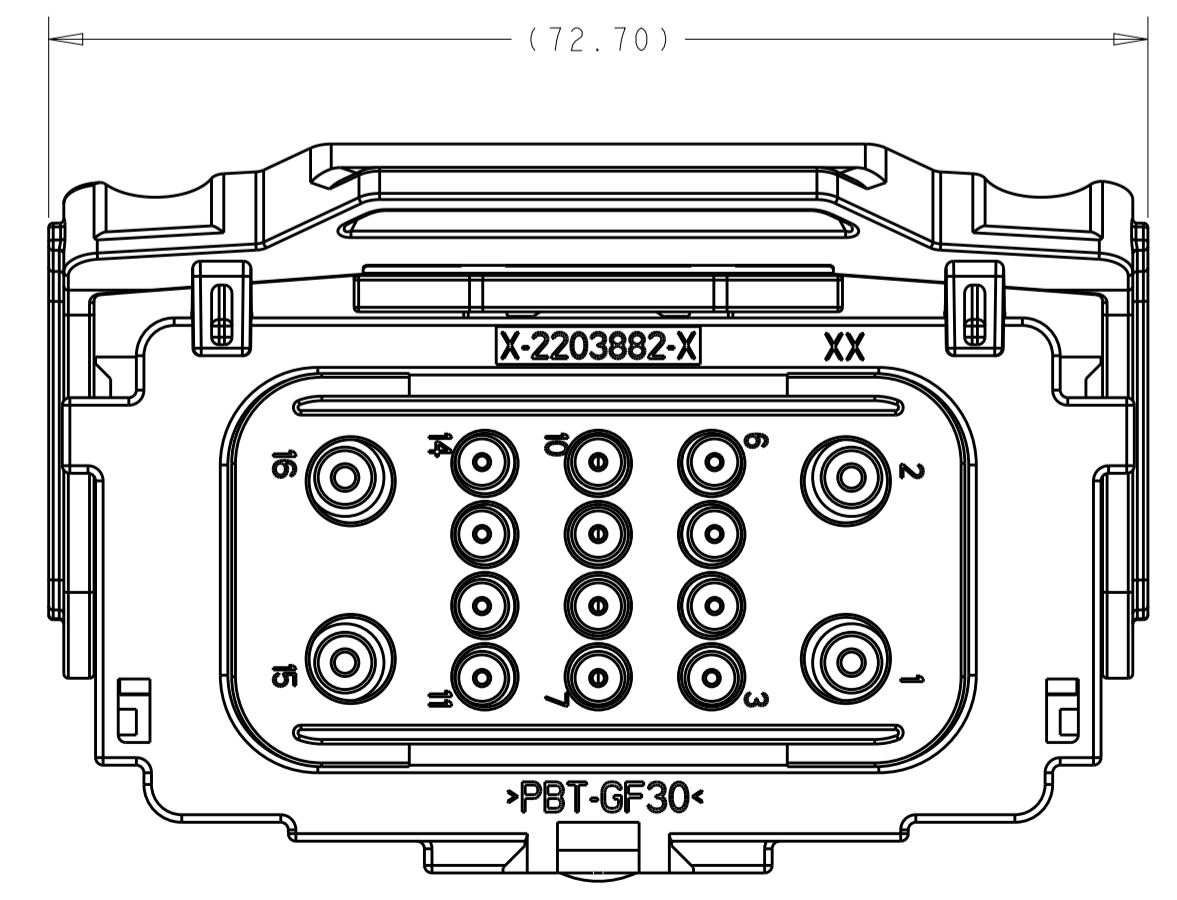
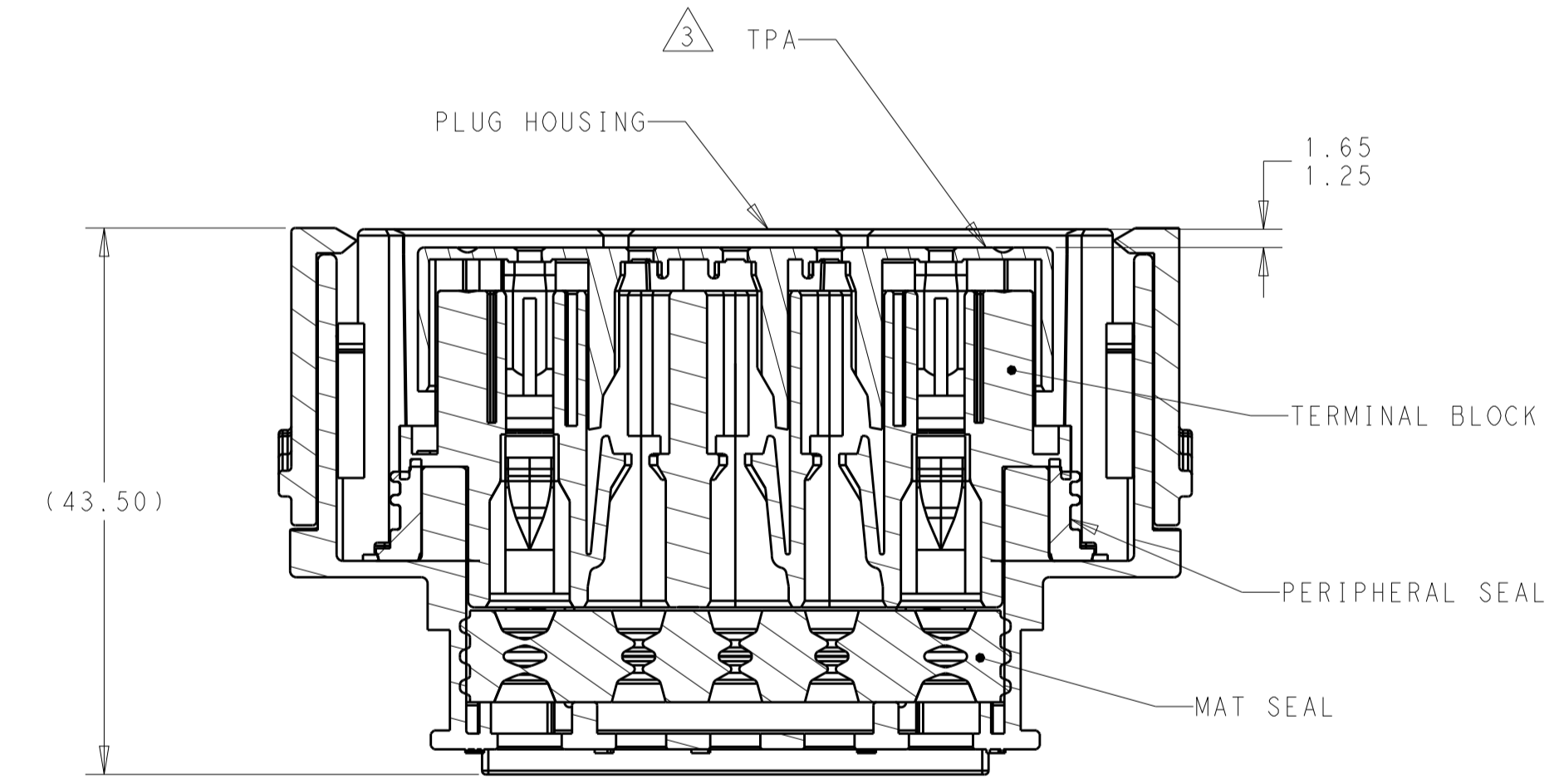
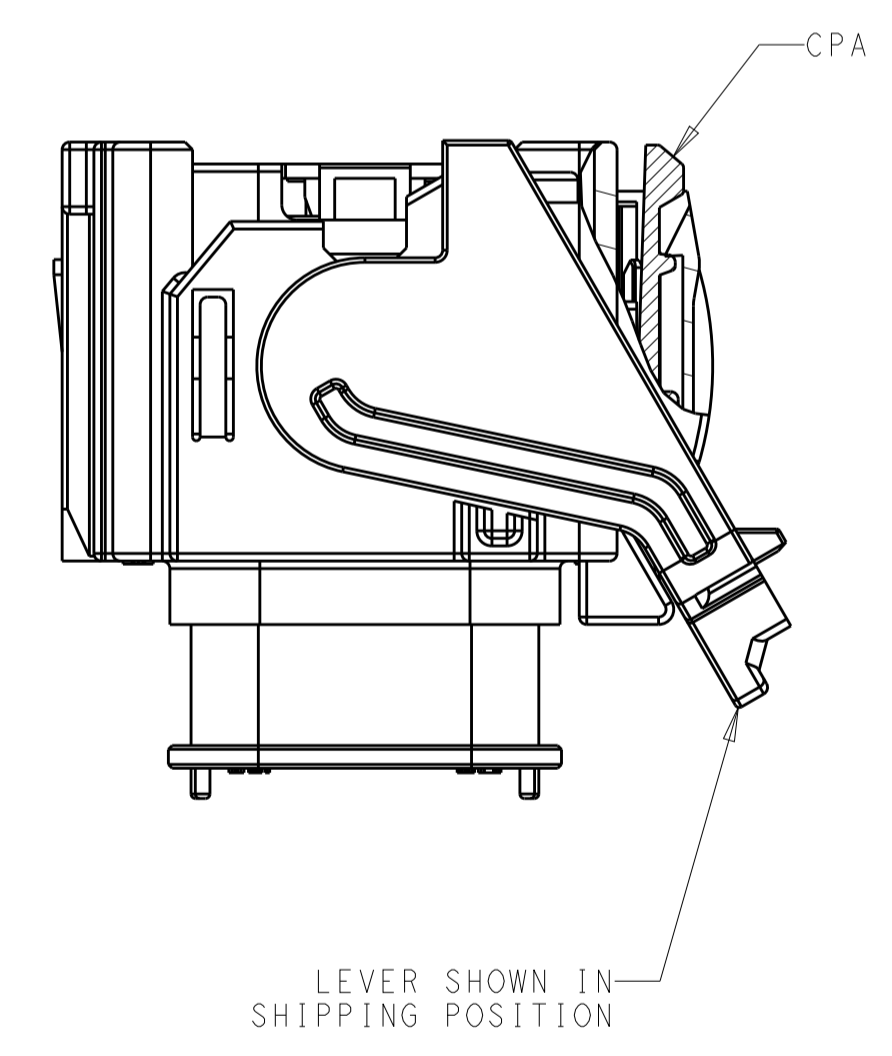
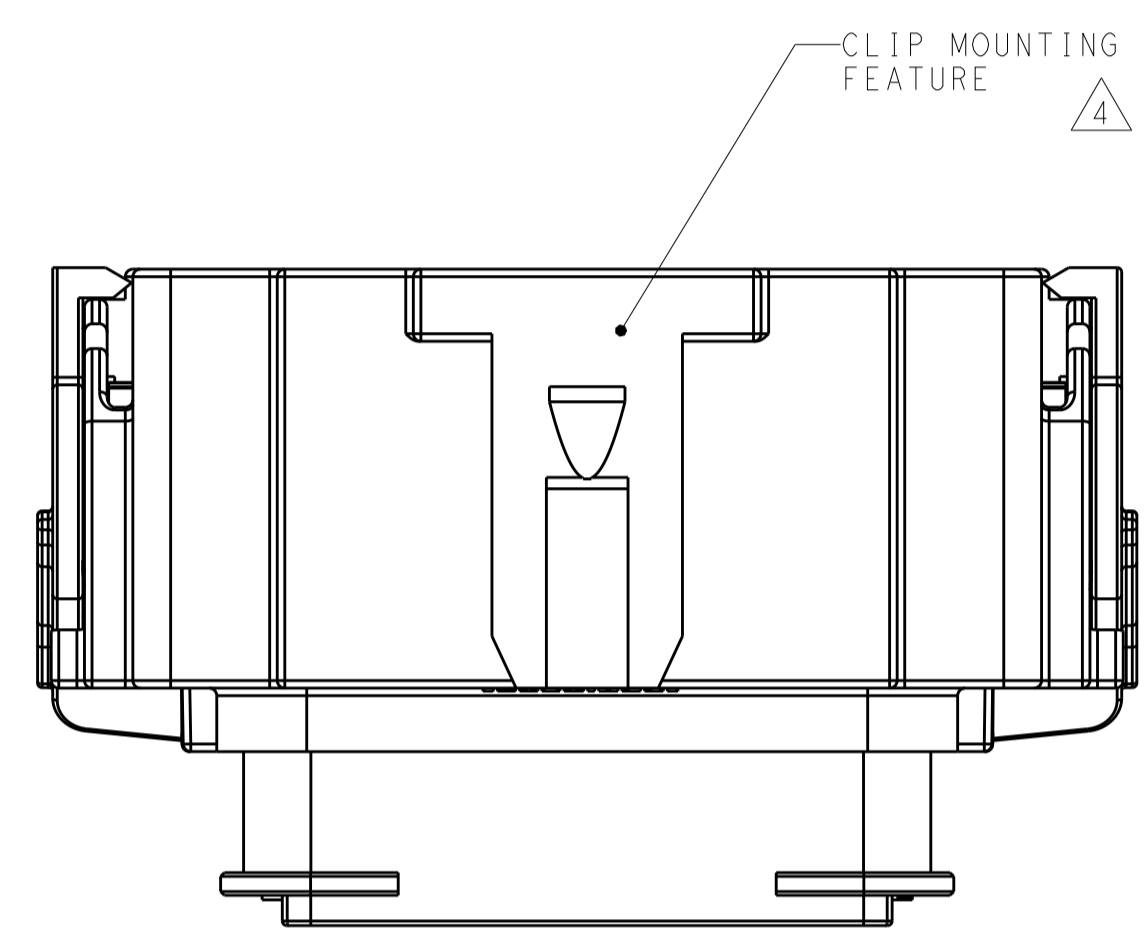
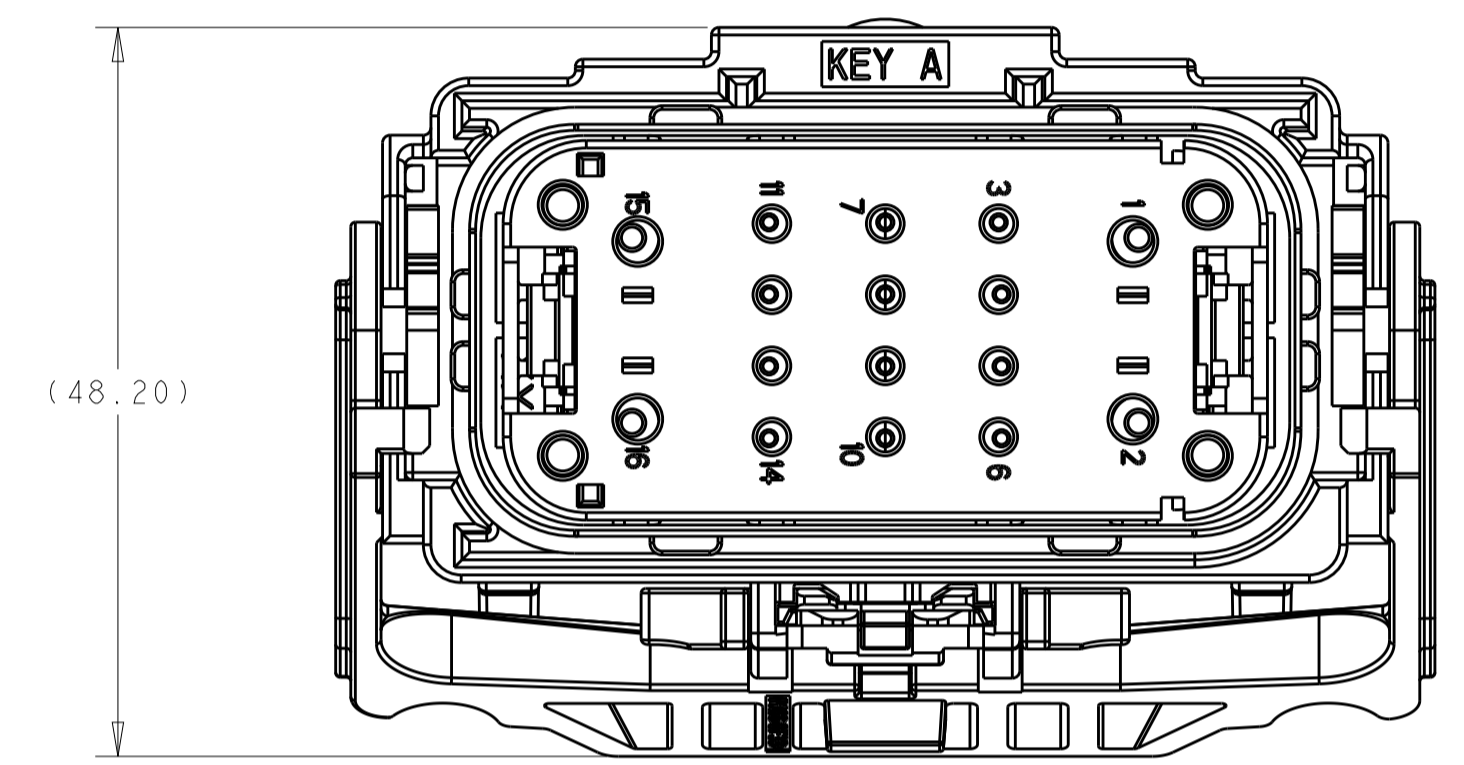


| REVISIONS | | | | |
|-----------|-----|------------------------|-----------|---------|
| P. | LTN | DESCRIPTION | DATE | APVD |
| A | | RELEASED ECO-20-007466 | 02JUN2020 | DCS DCS |



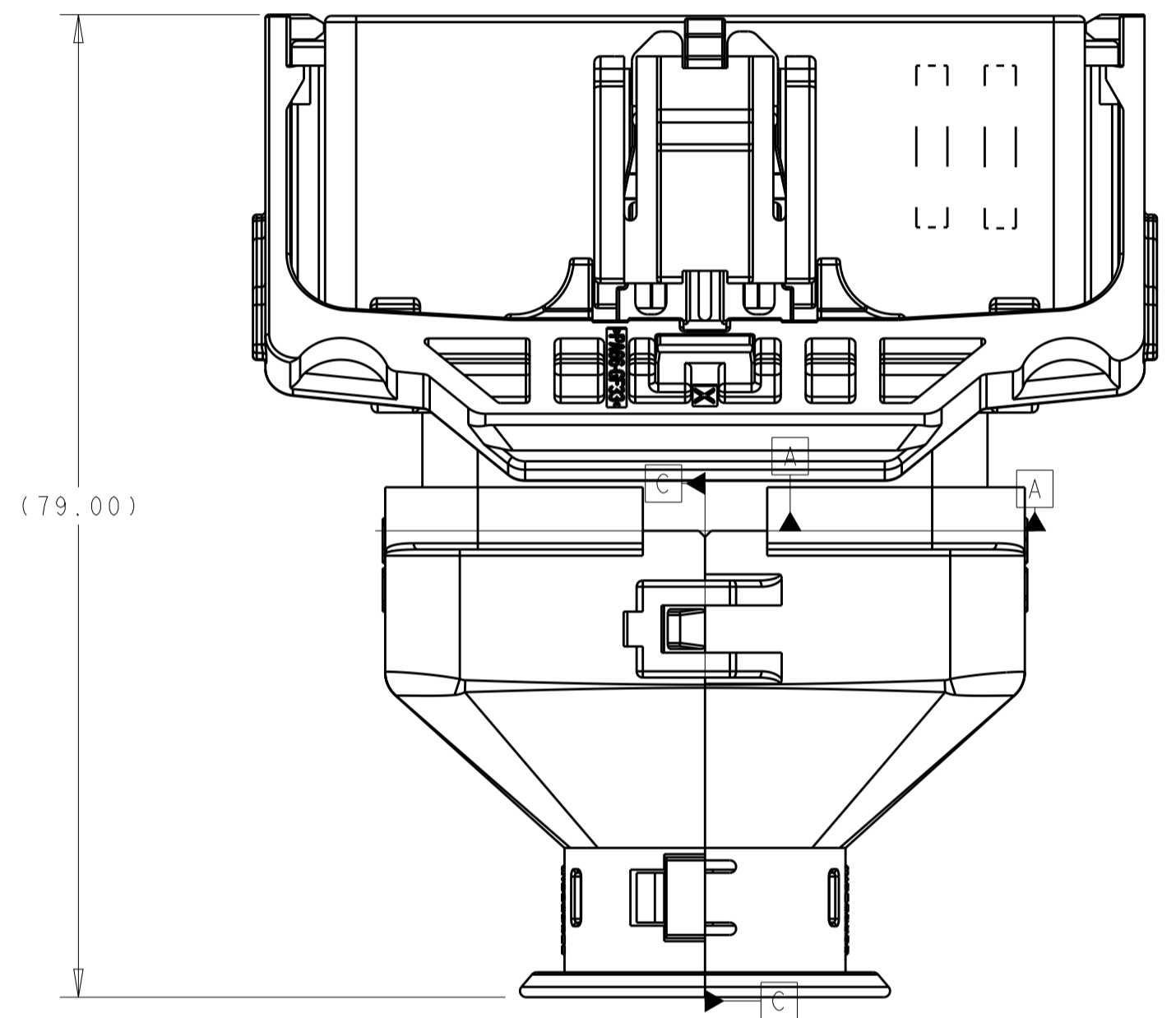
- 1 ASSEMBLY PART NUMBER LASER MARKED IN APPROXIMATE LOCATION
- 2 DATE CODE, IN 5 DIGIT FORMAT "YYDDD", LASERED IN APPROXIMATE LOCATION
- 3 TPA SHOWN IN PRESET POSITION
- 4 MOUNTING CLIP PN 1924487
- 5. MATES WITH CAP ASSEMBLY 2272889



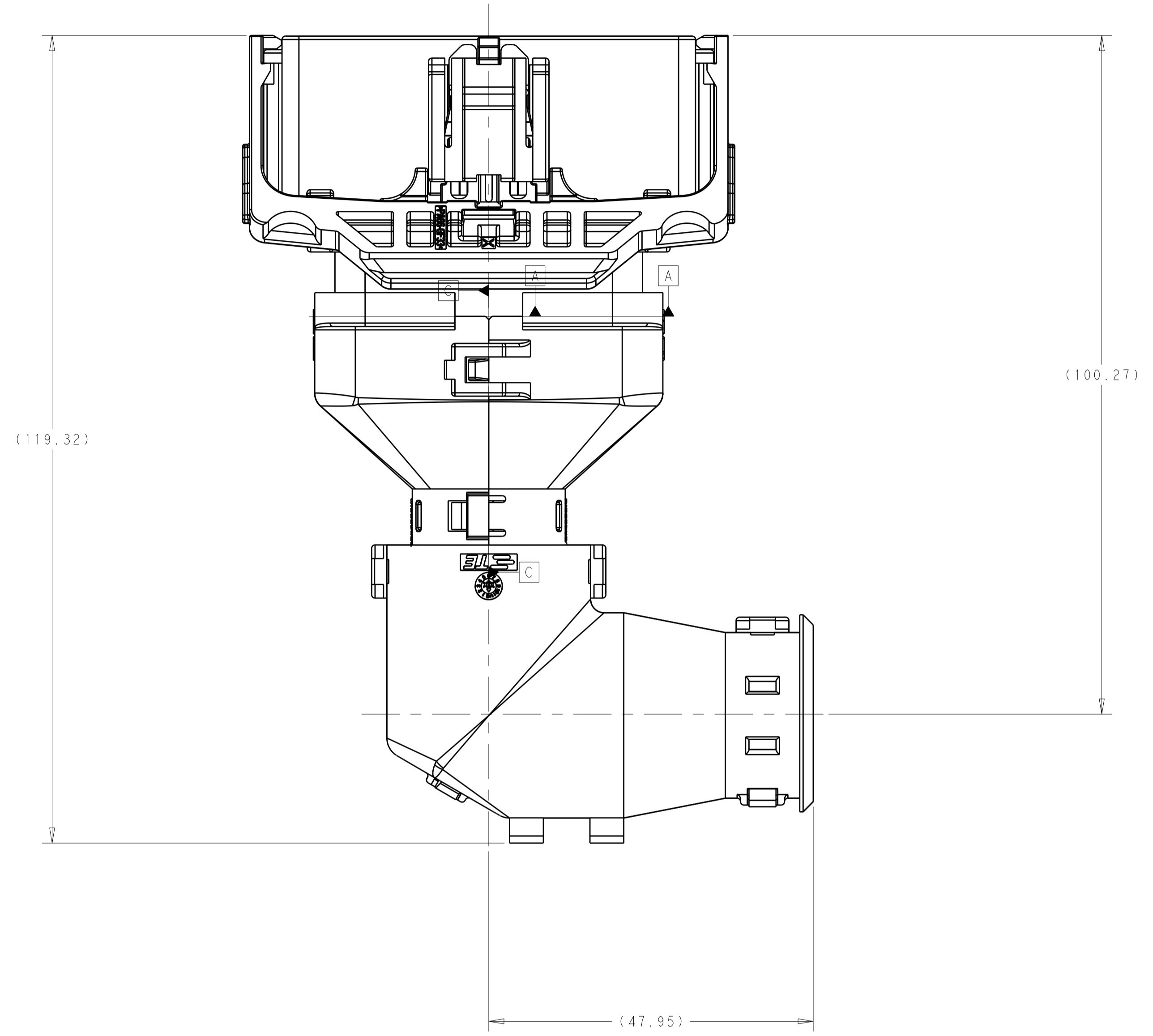
| COLOR | DESCRIPTION | PART NO |
|-------|-----------------------------------|-----------|
| GRAY | PLUG ASSEMBLY, 24 POSITION, KEY F | 2203859-6 |
| BROWN | PLUG ASSEMBLY, 24 POSITION, KEY E | 2203859-5 |
| BLACK | PLUG ASSEMBLY, 24 POSITION, KEY D | 2203859-4 |
| GRAY | PLUG ASSEMBLY, 16 POSITION, KEY C | 2203859-3 |
| BROWN | PLUG ASSEMBLY, 16 POSITION, KEY B | 2203859-2 |
| BLACK | PLUG ASSEMBLY, 16 POSITION, KEY A | 2203859-1 |

| | | | | |
|--|--|--------------------------|------------------------------|--|
| THIS DRAWING IS A CONTROLLED DOCUMENT. | | OWN: D STRAUSSER | 24MAR2014 | TE Connectivity |
| DIMENSIONS: mm | | CHK: D STRAUSSER | APVD: D STRAUSSER 02JUN2020 | |
| TOLERANCES UNLESS OTHERWISE SPECIFIED: 0 PLC ± 2 PLC ± 3 PLC ± 4 PLC ± ANGLES ± | | PRODUCT SPEC: 108-151063 | APPLICATION SPEC: 114-151063 | NAME: AMPSEAL ML CONNECTOR PLUG ASSEMBLY |
| MATERIAL: - | | FINISH: - | WEIGHT: 63g | SIZE: A1 |
| CUSTOMER DRAWING | | SCALE: 2:1 | | SHEET 1 OF 3 |

| REVISIONS | | | | |
|-----------|-----|-------------|------|----------|
| P. | LTN | DESCRIPTION | DATE | OWN APVD |
| - | - | SEE SHEET 1 | - | - |
| | | | | |
| | | | | |



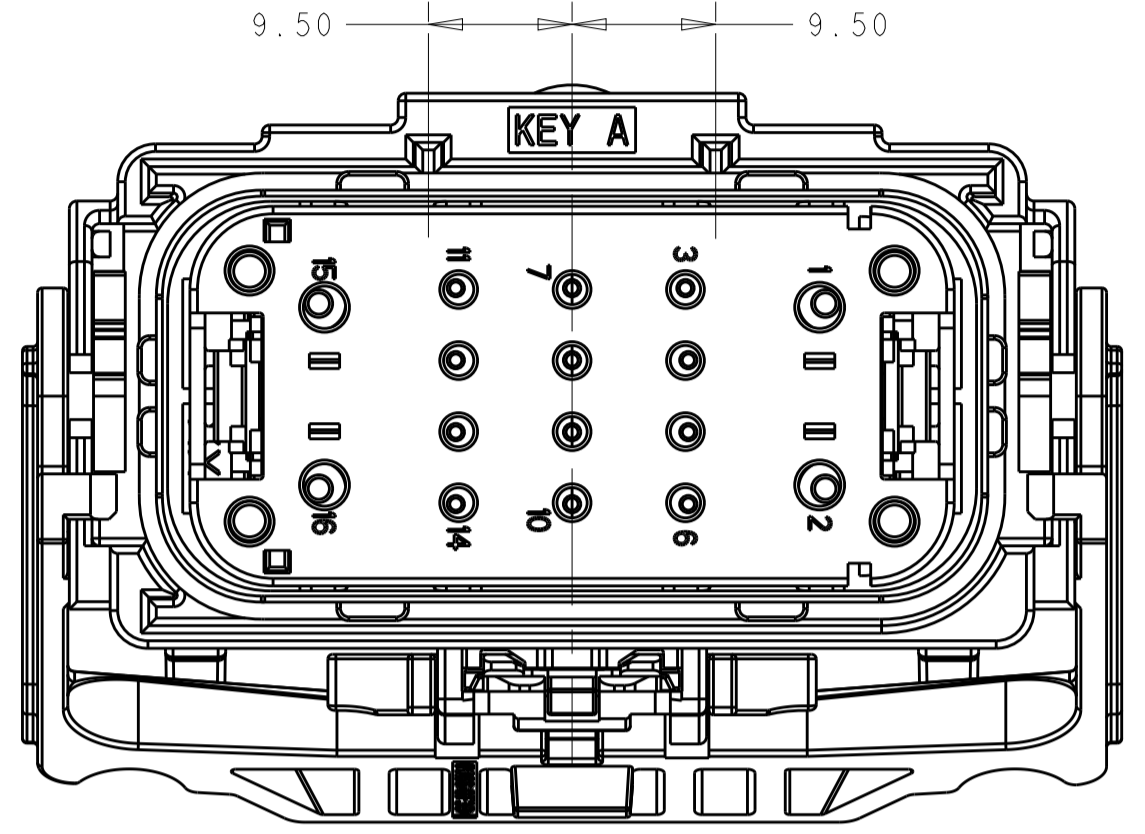
PLUG ASSEMBLY WITH OPTIONAL WIRE DRESS COVER, PN 2203956-1



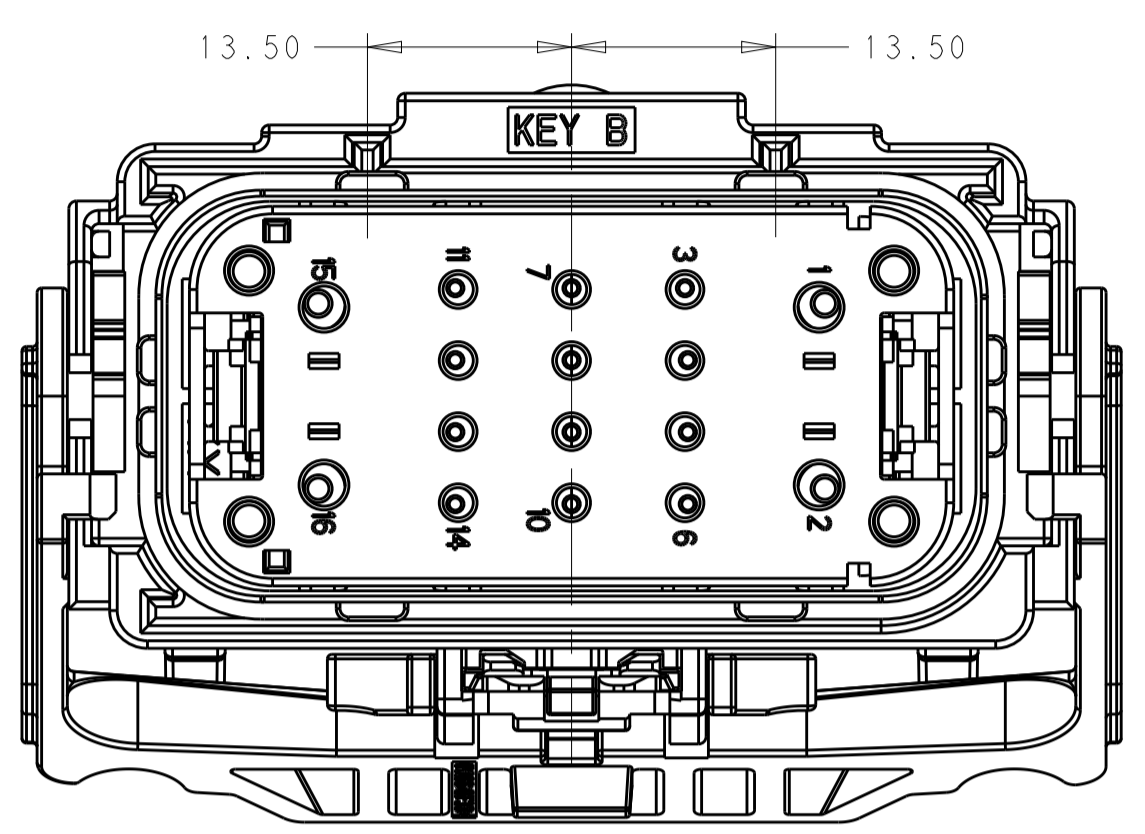
PLUG ASSEMBLY WITH OPTIONAL WIRE DRESS COVER, PN 2203956-1
90° ELBOW, PN 2272307-1

| | | | | |
|--|-----------|------------------------------|--|--|
| THIS DRAWING IS A CONTROLLED DOCUMENT. | | OWN: D STRAUSSER 24MAR2014 | | |
| DIMENSIONS: mm | | CHK: D STRAUSSER | | |
| TOLERANCES UNLESS OTHERWISE SPECIFIED: | | APVD: D STRAUSSER 02JUN2020 | NAME: AMPSEAL ML CONNECTOR PLUG ASSEMBLY | |
| 0 PLC ± | 1 PLC ± | PRODUCT SPEC: 108-151063 | RESTRICTED TO: | |
| 2 PLC ± | 3 PLC ± | APPLICATION SPEC: 114-151063 | SIZE: A1 | |
| 4 PLC ± | ANGLES ± | WEIGHT: 63g | CAGE CODE: 2203859 | |
| MATERIAL: - | FINISH: - | CUSTOMER DRAWING | SCALE: 2:1 SHEET 2 OF 3 REV A | |

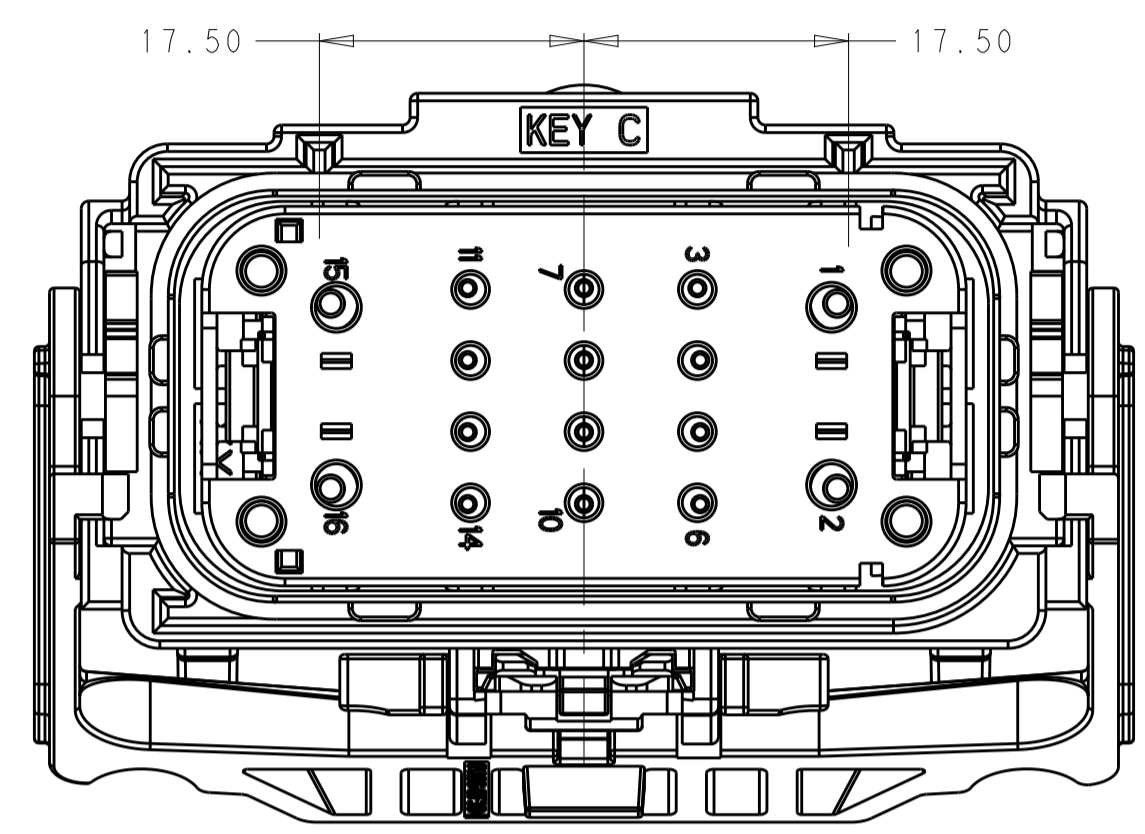
| REVISIONS | | | | |
|-----------|-----|-------------|------|------|
| P. | LTN | DESCRIPTION | DATE | APPV |
| - | - | SEE SHEET 1 | - | - |
| | | | | |
| | | | | |



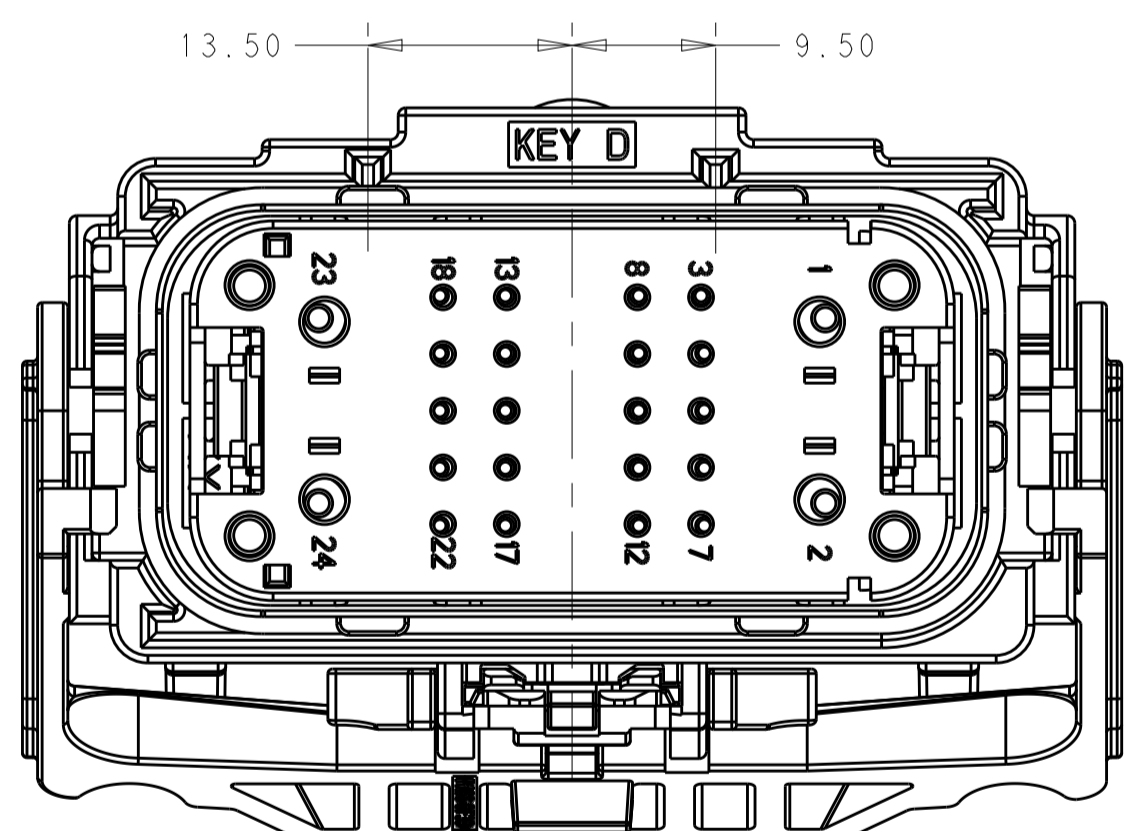
2203859-1
16 POSITION
KEY A



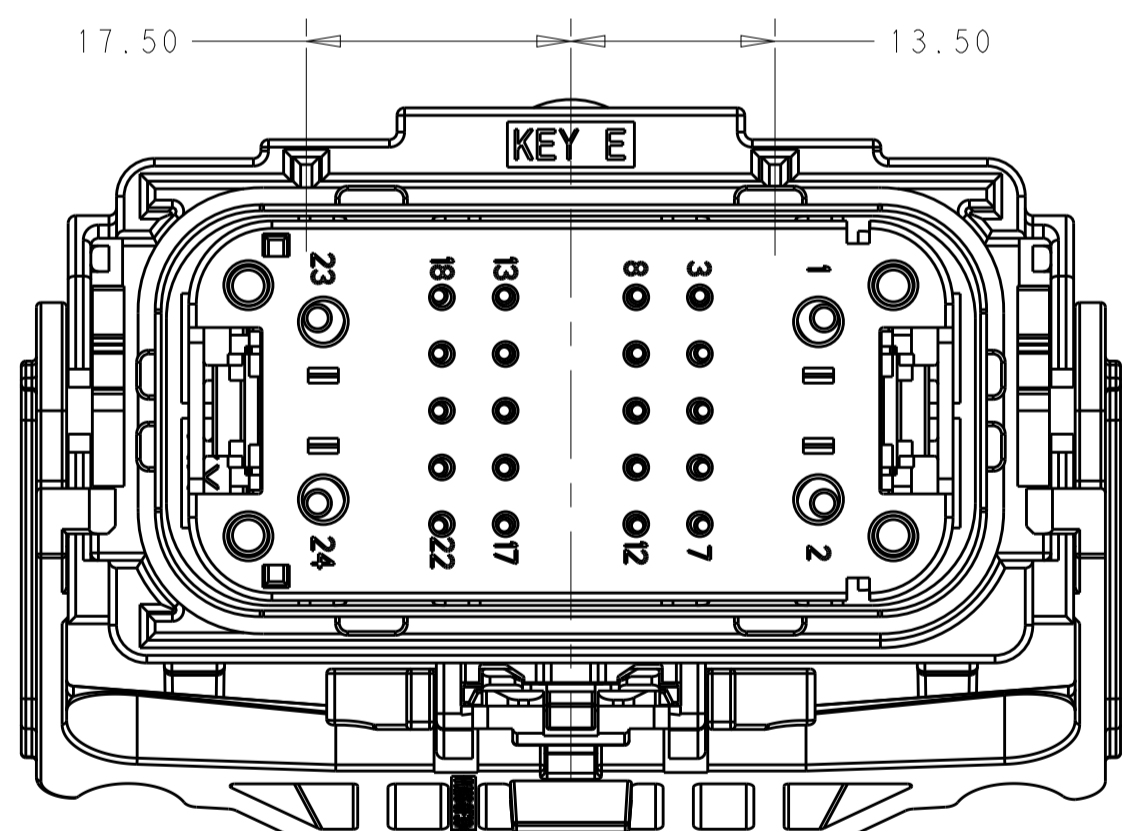
2203859-2
16 POSITION
KEY B



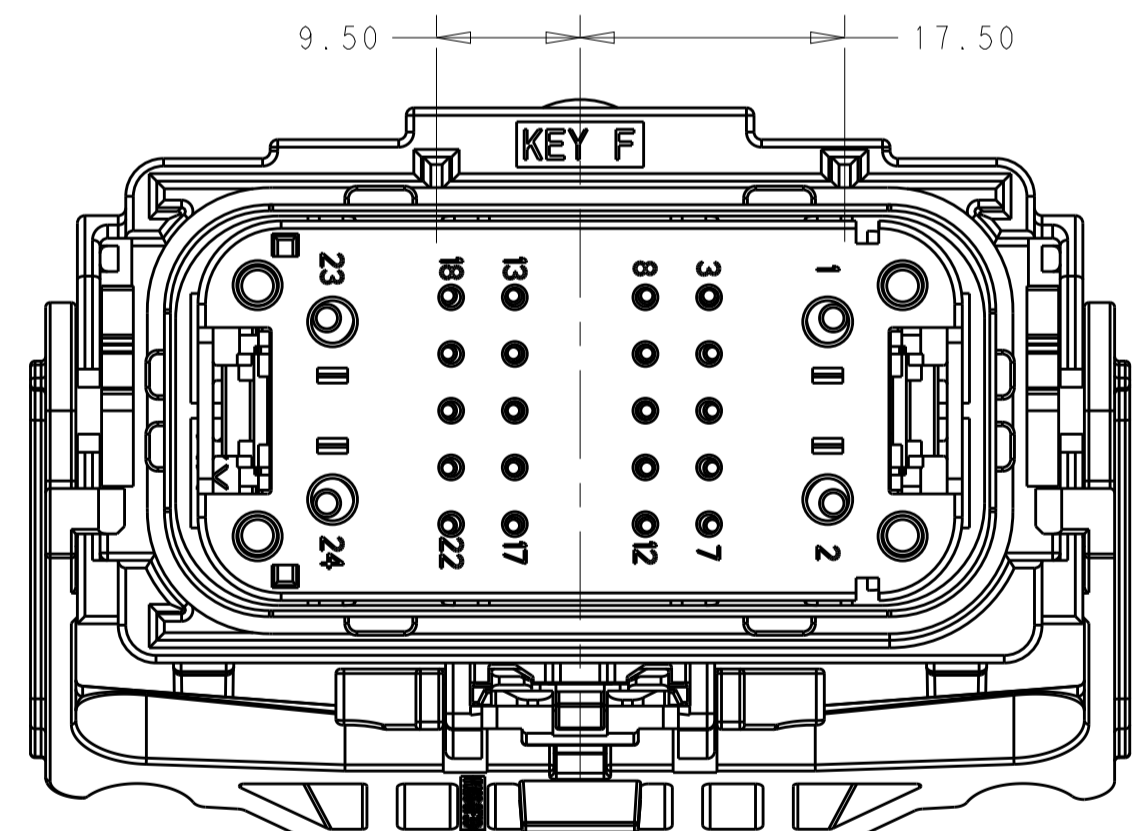
2203859-3
16 POSITION
KEY C



2203859-4
24 POSITION
KEY D



2203859-5
24 POSITION
KEY E



2203859-6
24 POSITION
KEY F

| | | | |
|---|--|------------------------------|--|
| THIS DRAWING IS A CONTROLLED DOCUMENT. | | OWN: D STRAUSSER 24MAR2014 | |
| DIMENSIONS: mm | | CHK: D STRAUSSER | |
| TOLERANCES UNLESS OTHERWISE SPECIFIED: | | APVD: D STRAUSSER 02JUN2020 | NAME: AMPSEAL ML CONNECTOR PLUG ASSEMBLY |
| 0 PLC ± 1 PLC ± 2 PLC ± 3 PLC ± 4 PLC ± ANGLES ± | | PRODUCT SPEC: 108-151063 | SIZE: A1 |
| MATERIAL: - | | APPLICATION SPEC: 114-151063 | CAGE CODE: - |
| FINISH: - | | WEIGHT: 63g | DRAWING NO: C=2203859 |
| | | CUSTOMER DRAWING | RESTRICTED TO: - |
| | | SCALE: 2:1 | SHEET 3 OF 3 |
| | | | REV: A |

X-ON Electronics

Largest Supplier of Electrical and Electronic Components

Click to view similar products for [Automotive Connectors](#) category:

Click to view products by [TE Connectivity](#) manufacturer:

Other Similar products are found below :

[003-018-000](#) [60993906-B](#) [M902-2131](#) [M902-2161](#) [M902-2344](#) [72.330.1035.1](#) [73.353.4028.0](#) [F166900](#) [F358300-B](#) [F407400](#) [776880-1](#)
[827153-1](#) [8N1515-32-24P](#) [9-1326729-8](#) [925474-1](#) [928905-1](#) [964562-4](#) [968782-1](#) [98891-1012](#) [12004475-L](#) [12020308](#) [12041318-B](#)
[12052466](#) [12064869](#) [12015909](#) [1-21030-1](#) [12041254](#) [12041318](#) [12047946-B](#) [12110546-B](#) [12131792](#) [12084688](#) [12092346](#) [HD34-18-14PT](#)
[HD46-24-23SN-059](#) [HDB36-24-16PN-059](#) [HDP26-24-9SE-L015](#) [12185280](#) [12185550](#) [12336-12](#) [12191172-B](#) [12S](#) [13545280](#) [13577943](#)
[13681974](#) [13737722-B](#) [13830674](#) [13832576](#) [13849772](#) [13542772](#)