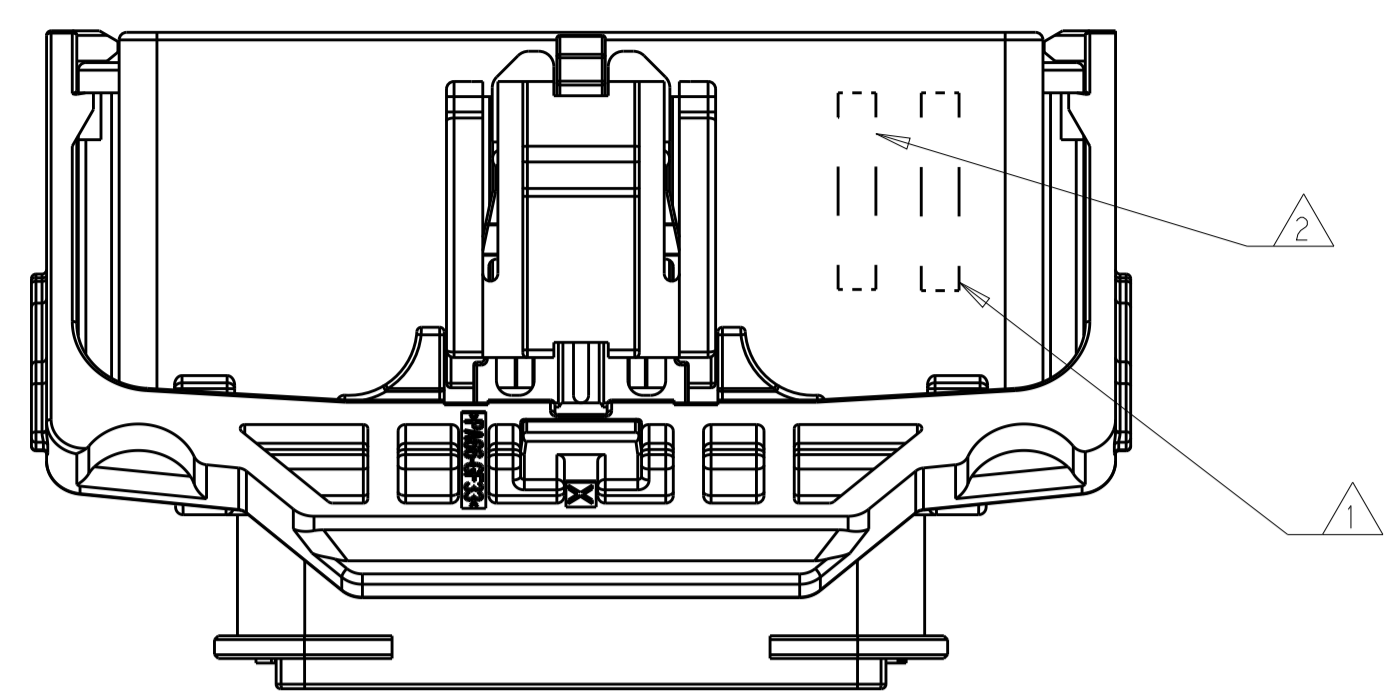
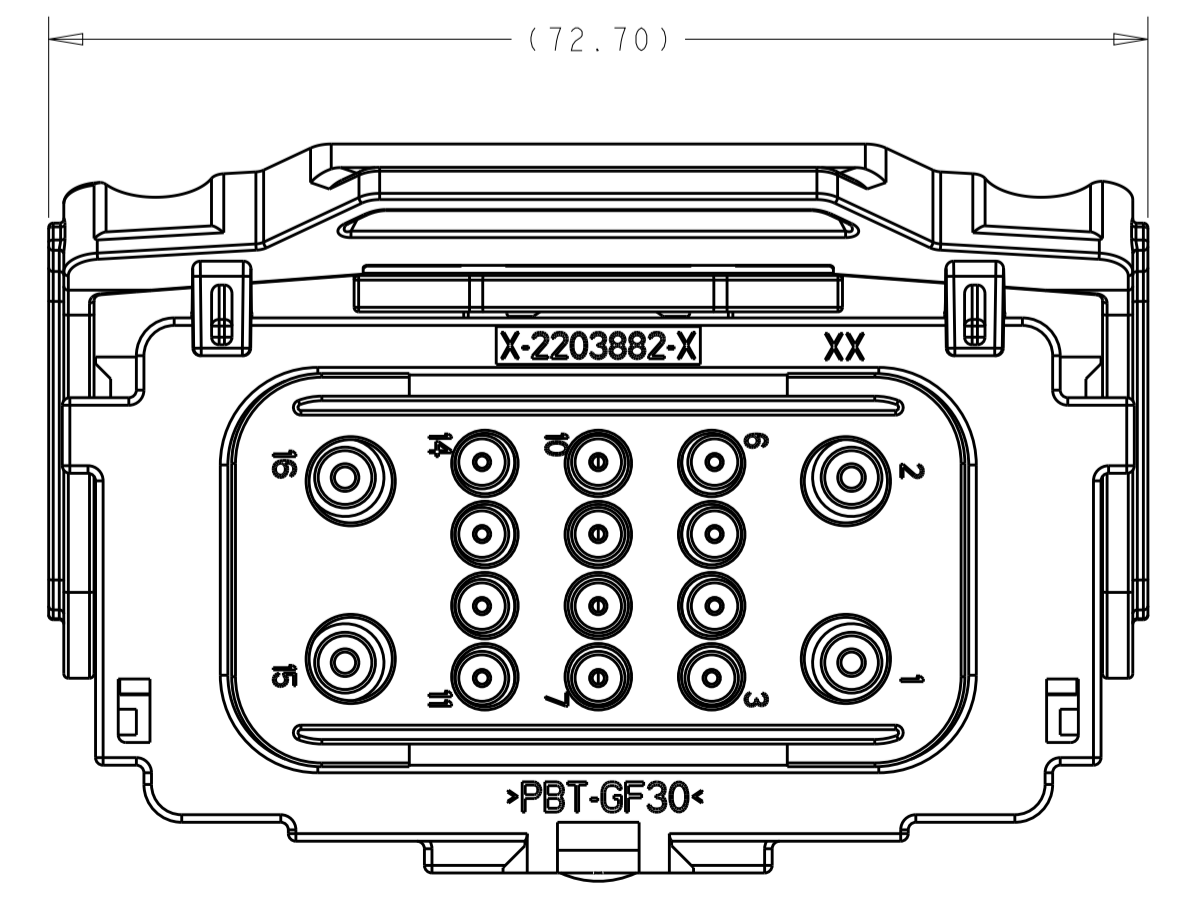
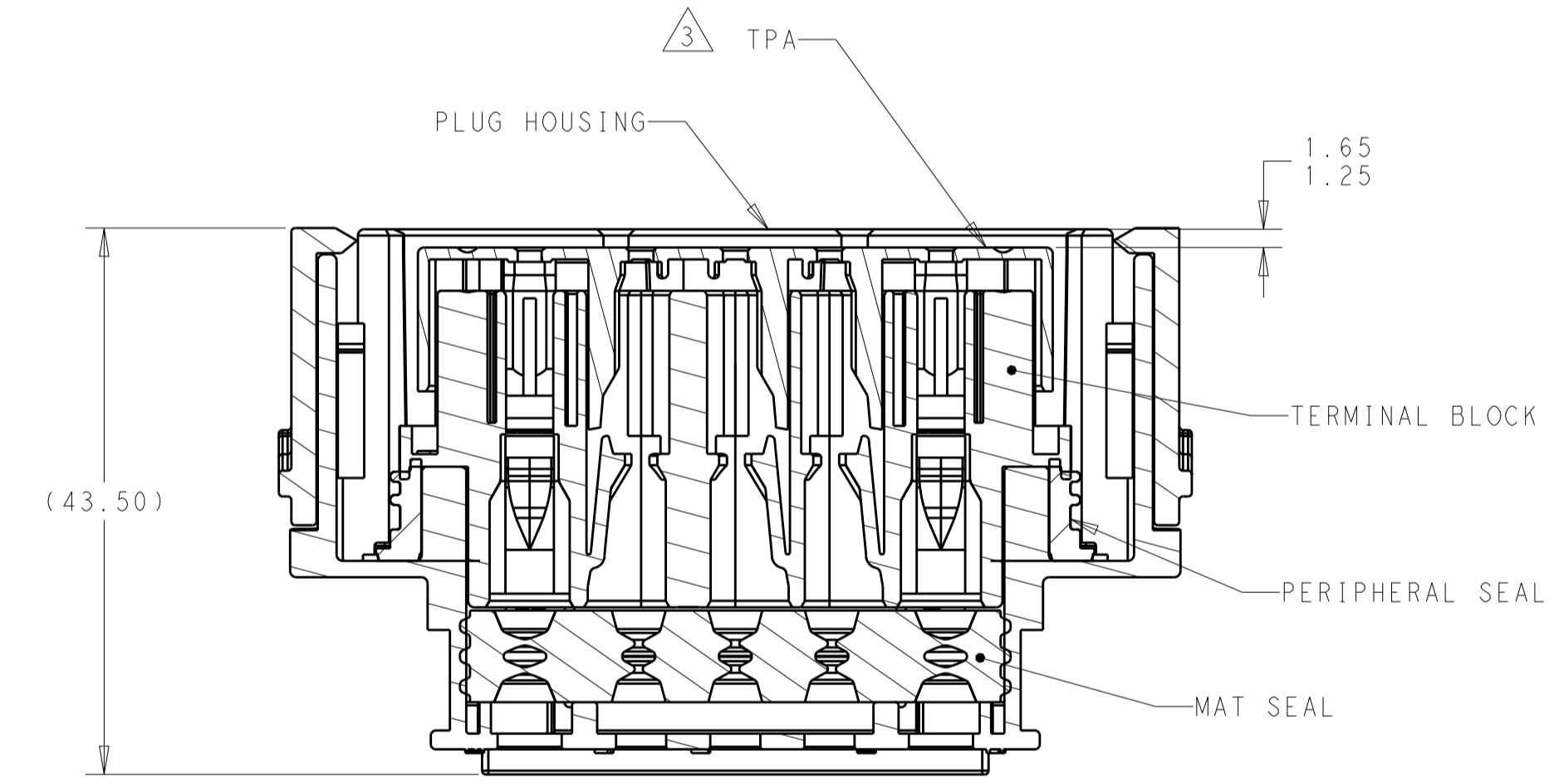
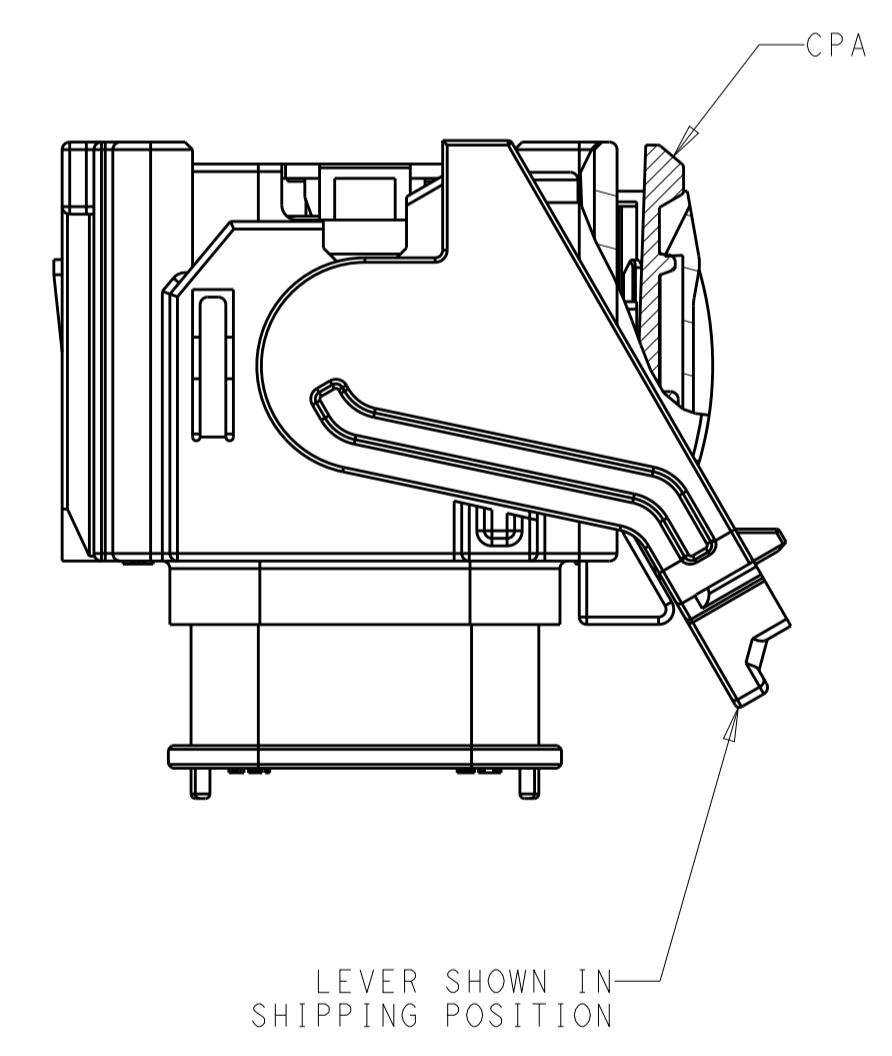
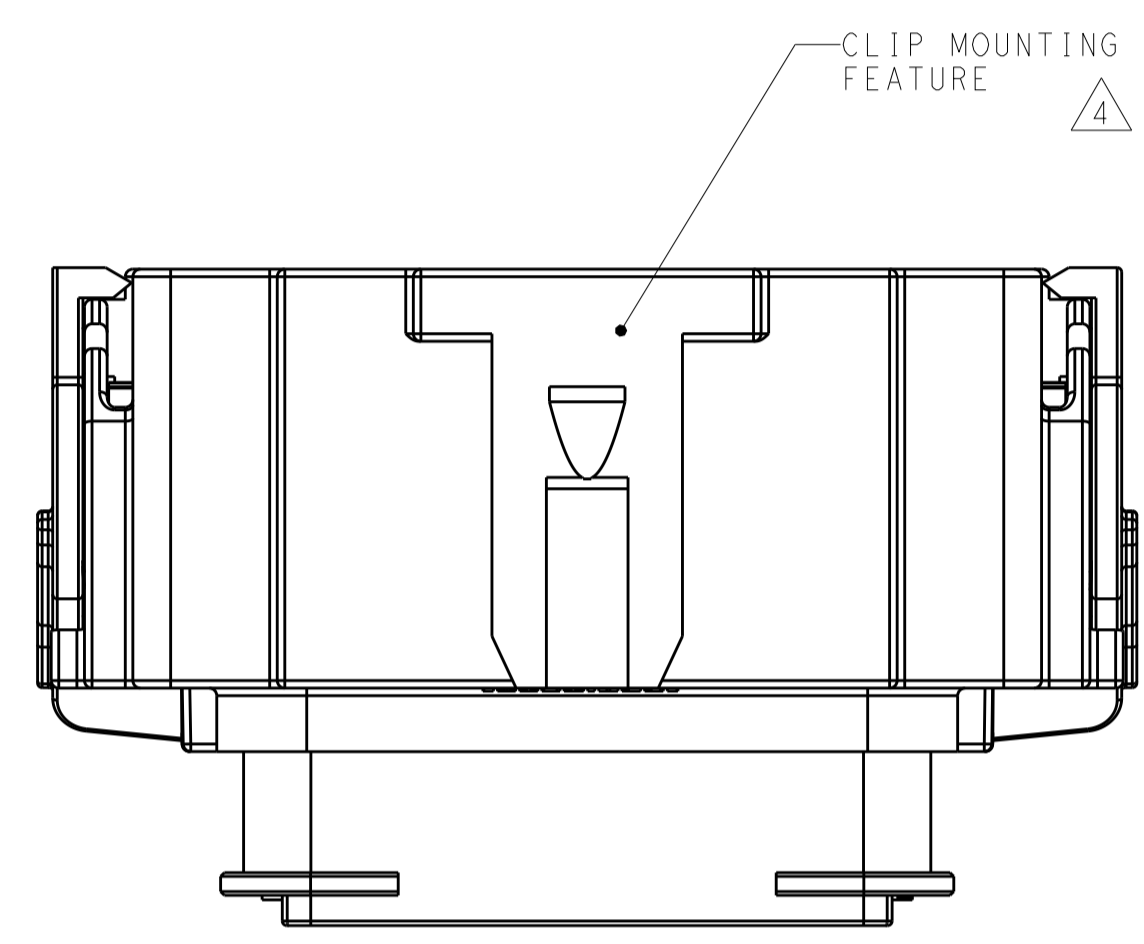
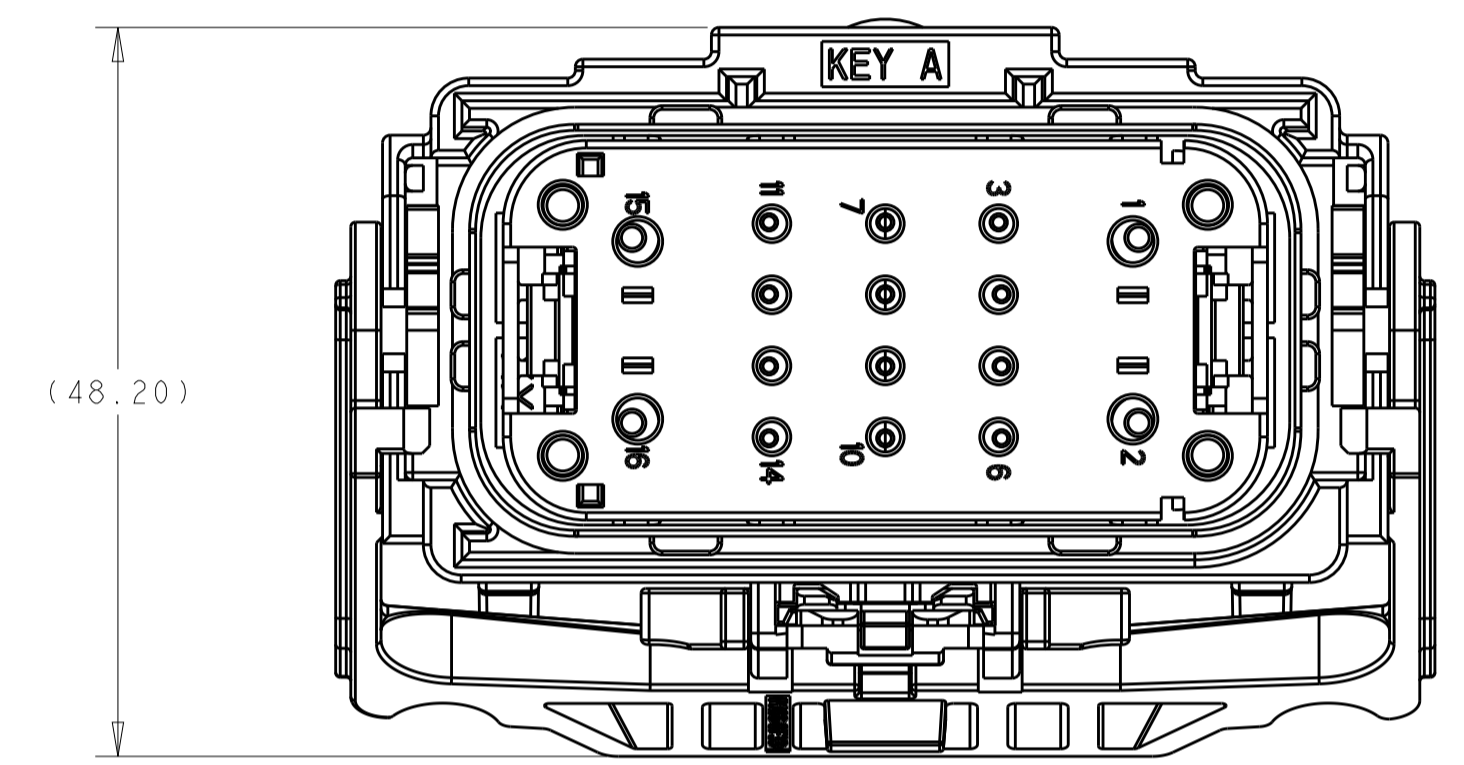


REVISIONS				
P.	LTN	DESCRIPTION	DATE	APVD
A		RELEASED ECO-20-007466	02JUN2020	DCS DCS



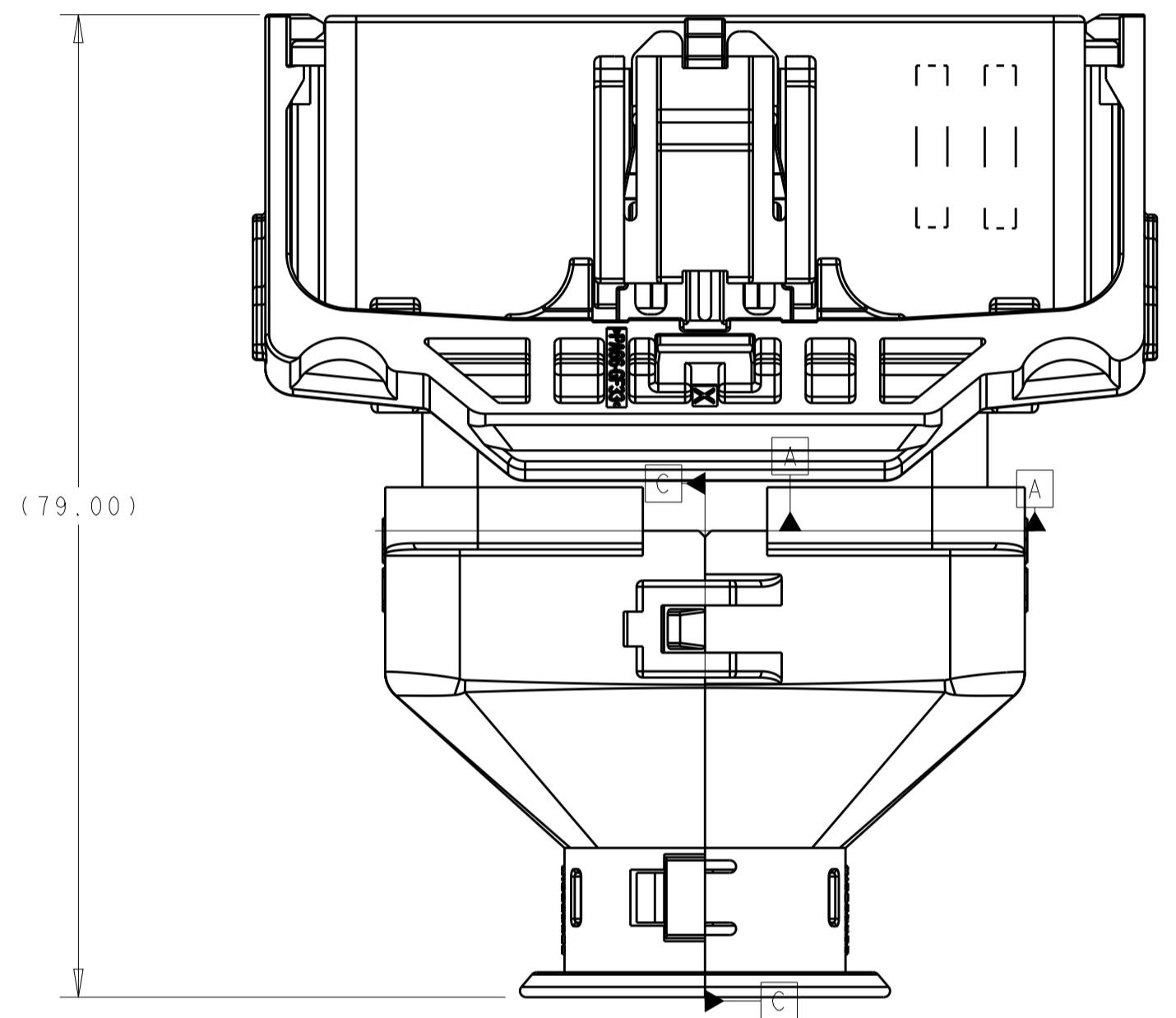
- 1 ASSEMBLY PART NUMBER LASER MARKED IN APPROXIMATE LOCATION
- 2 DATE CODE, IN 5 DIGIT FORMAT "YYDDD", LASERED IN APPROXIMATE LOCATION
- 3 TPA SHOWN IN PRESET POSITION
- 4 MOUNTING CLIP PN 1924487
- 5. MATES WITH CAP ASSEMBLY 2272889



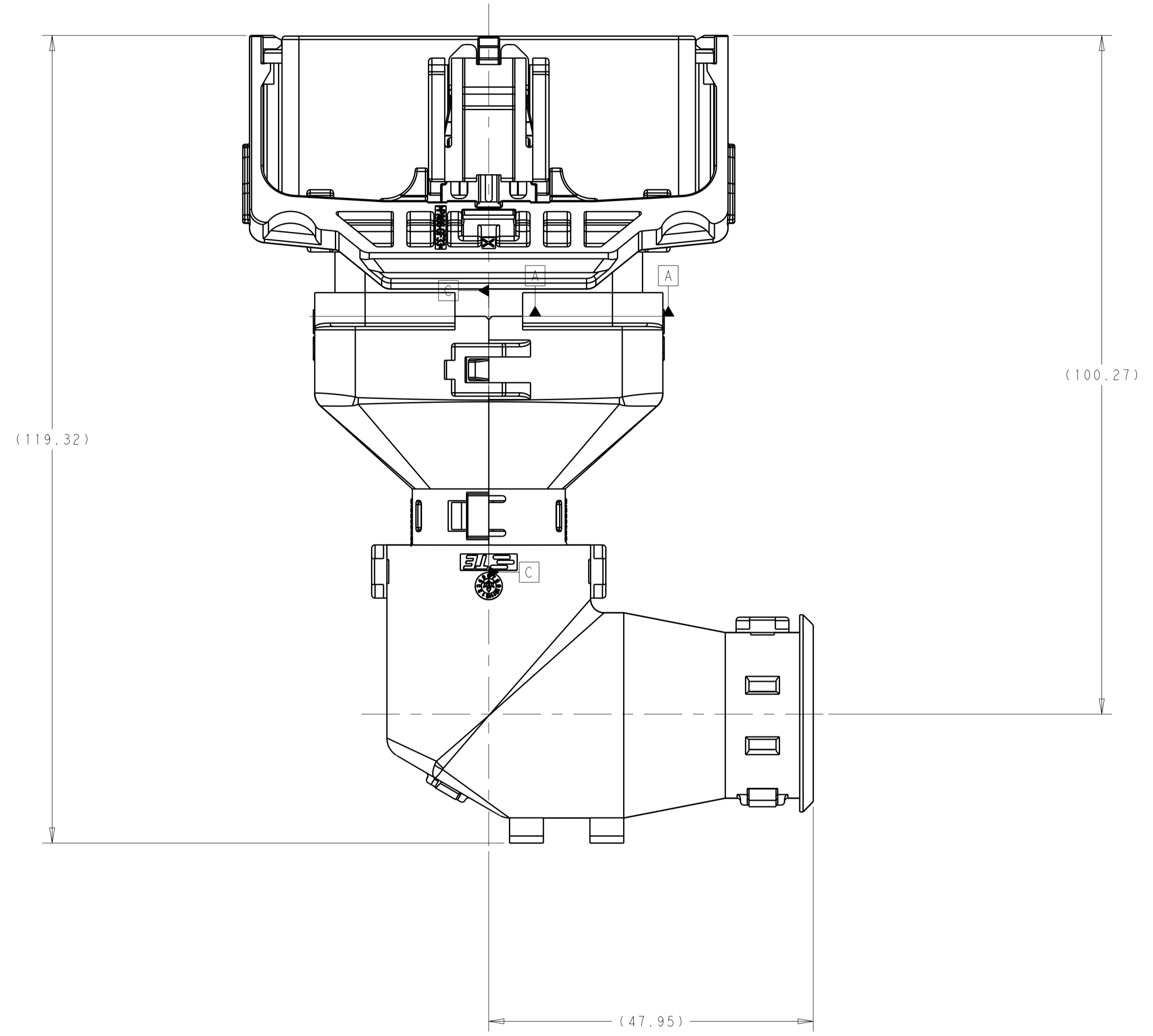
COLOR	DESCRIPTION	PART NO
GRAY	PLUG ASSEMBLY, 24 POSITION, KEY F	2203859-6
BROWN	PLUG ASSEMBLY, 24 POSITION, KEY E	2203859-5
BLACK	PLUG ASSEMBLY, 24 POSITION, KEY D	2203859-4
GRAY	PLUG ASSEMBLY, 16 POSITION, KEY C	2203859-3
BROWN	PLUG ASSEMBLY, 16 POSITION, KEY B	2203859-2
BLACK	PLUG ASSEMBLY, 16 POSITION, KEY A	2203859-1

THIS DRAWING IS A CONTROLLED DOCUMENT.		OWN: D STRAUSSER	24MAR2014	TE Connectivity
DIMENSIONS: mm		CHK: D STRAUSSER	02JUN2020	
TOLERANCES UNLESS OTHERWISE SPECIFIED: 0 PLC ± 2 PLC ± 3 PLC ± 4 PLC ± ANGLES ±		APVD: D STRAUSSER	108-151063	NAME: AMPSEAL ML CONNECTOR PLUG ASSEMBLY SIZE: A1 CAGE CODE: - DRAWING NO: C=2203859
MATERIAL: -		FINISH: -	WEIGHT: 63g	RESTRICTED TO: - SCALE: 2:1 SHEET: 1 OF 3 REV: A
		CUSTOMER DRAWING		

REVISIONS				
P.	LTN	DESCRIPTION	DATE	OWN APVD
-	-	SEE SHEET 1	-	-



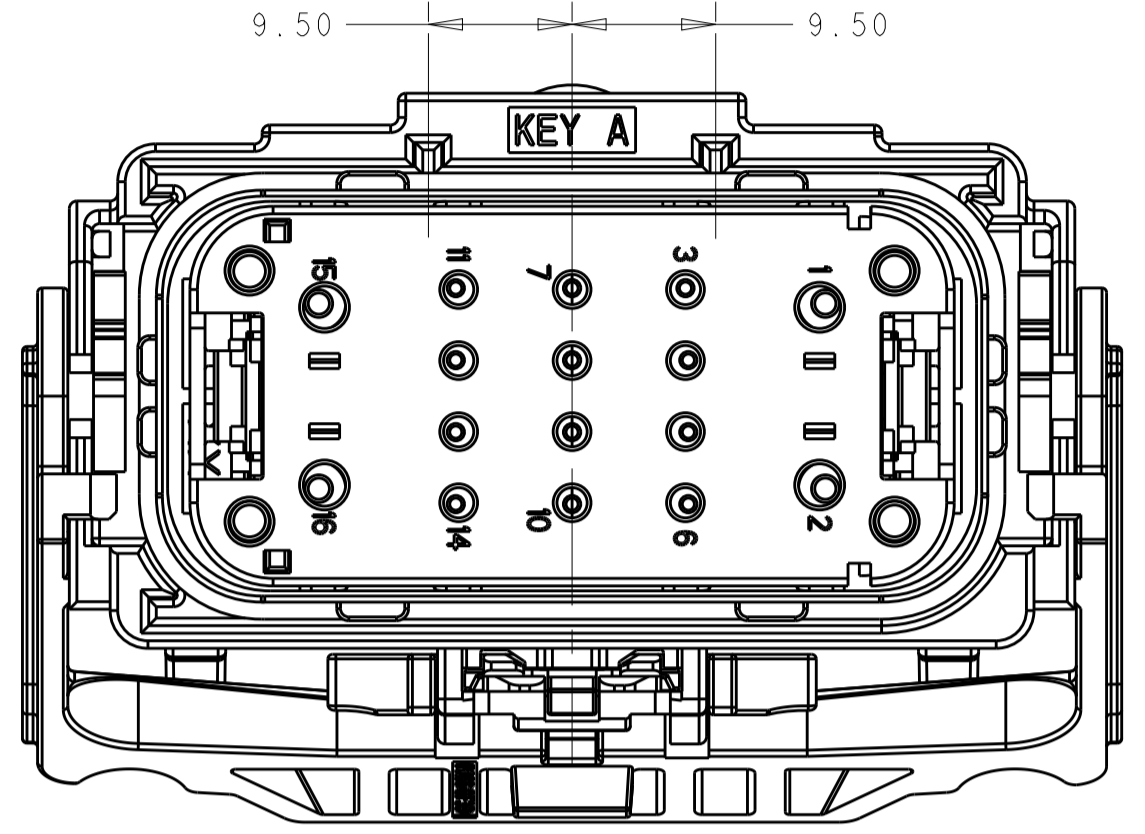
PLUG ASSEMBLY WITH OPTIONAL WIRE DRESS COVER, PN 2203956-1



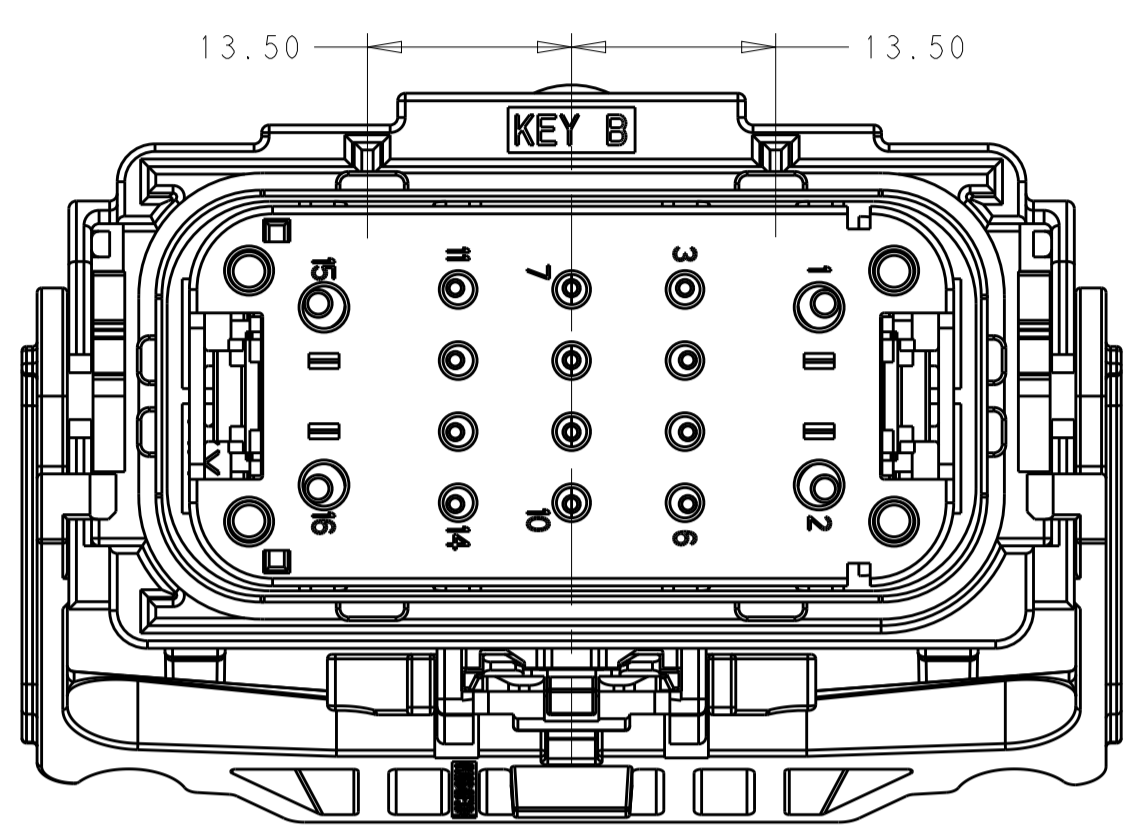
PLUG ASSEMBLY WITH OPTIONAL WIRE DRESS COVER, PN 2203956-1  
90° ELBOW, PN 2272307-1

THIS DRAWING IS A CONTROLLED DOCUMENT.		OWN: D STRAUSSER 24MAR2014		
DIMENSIONS: mm		CHK: D STRAUSSER		
TOLERANCES UNLESS OTHERWISE SPECIFIED:		APVD: D STRAUSSER 02JUN2020	NAME: AMPSEAL ML CONNECTOR PLUG ASSEMBLY	
0 PLC ±	1 PLC ±	PRODUCT SPEC: 108-151063	SIZE: A1	
2 PLC ±	3 PLC ±	APPLICATION SPEC: 114-151063	CAGE CODE: -	
4 PLC ±	ANGLES ±	WEIGHT: 63g	DRAWING NO: C=2203859	
MATERIAL: -	FINISH: -	CUSTOMER DRAWING	RESTRICTED TO: -	
SCALE: 2:1			SHEET 2 OF 3	
REV: A				

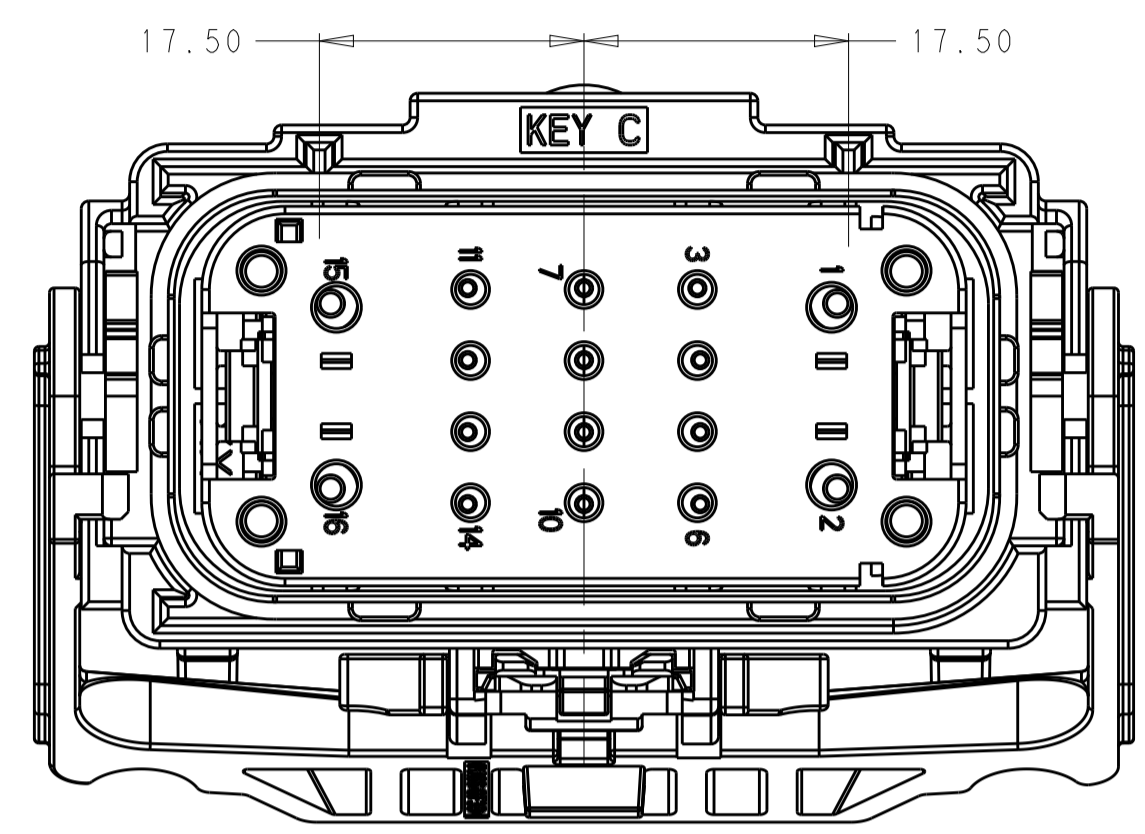
REVISIONS				
P.	LTN	DESCRIPTION	DATE	APVD
-	-	SEE SHEET 1	-	-



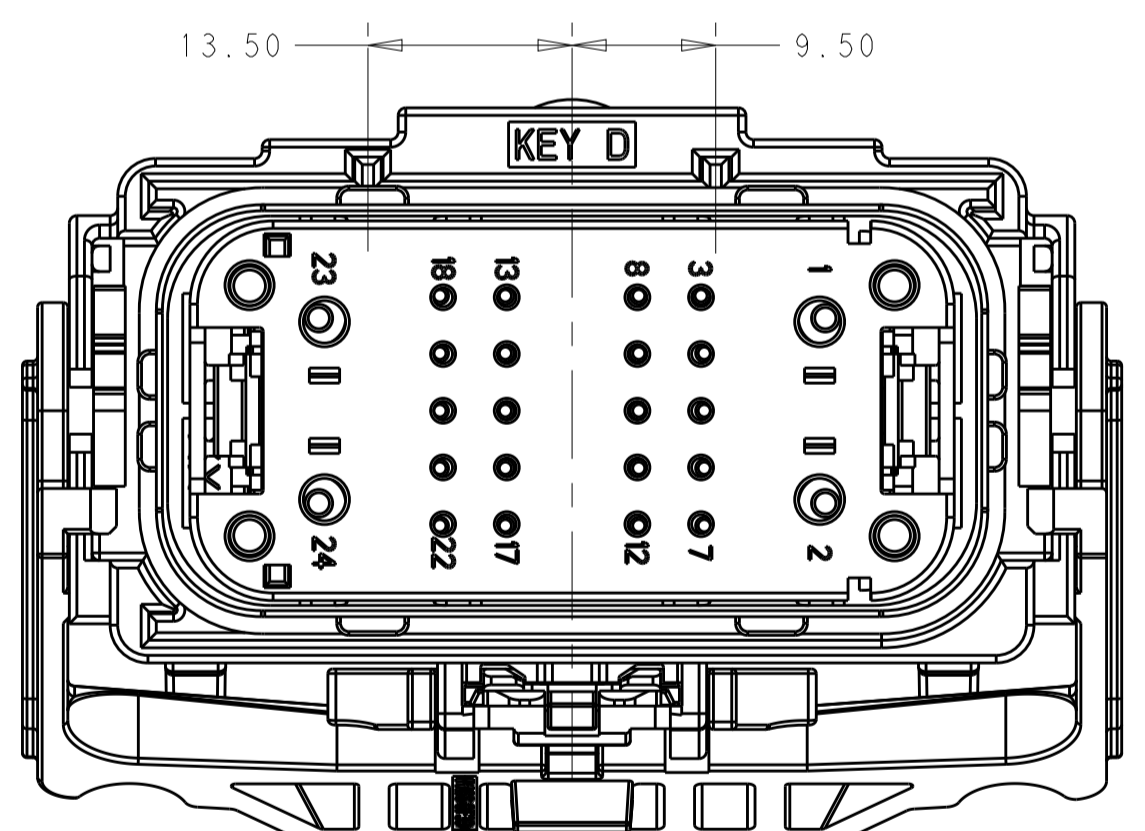
2203859-1  
16 POSITION  
KEY A



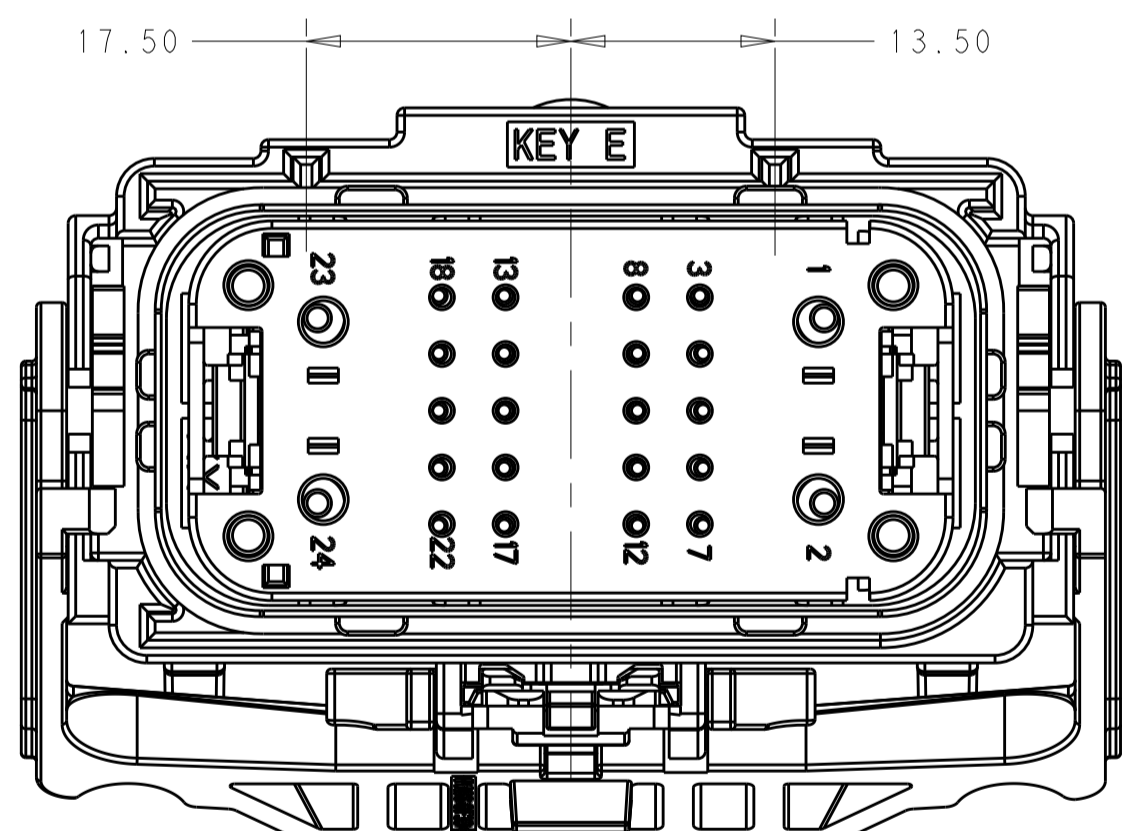
2203859-2  
16 POSITION  
KEY B



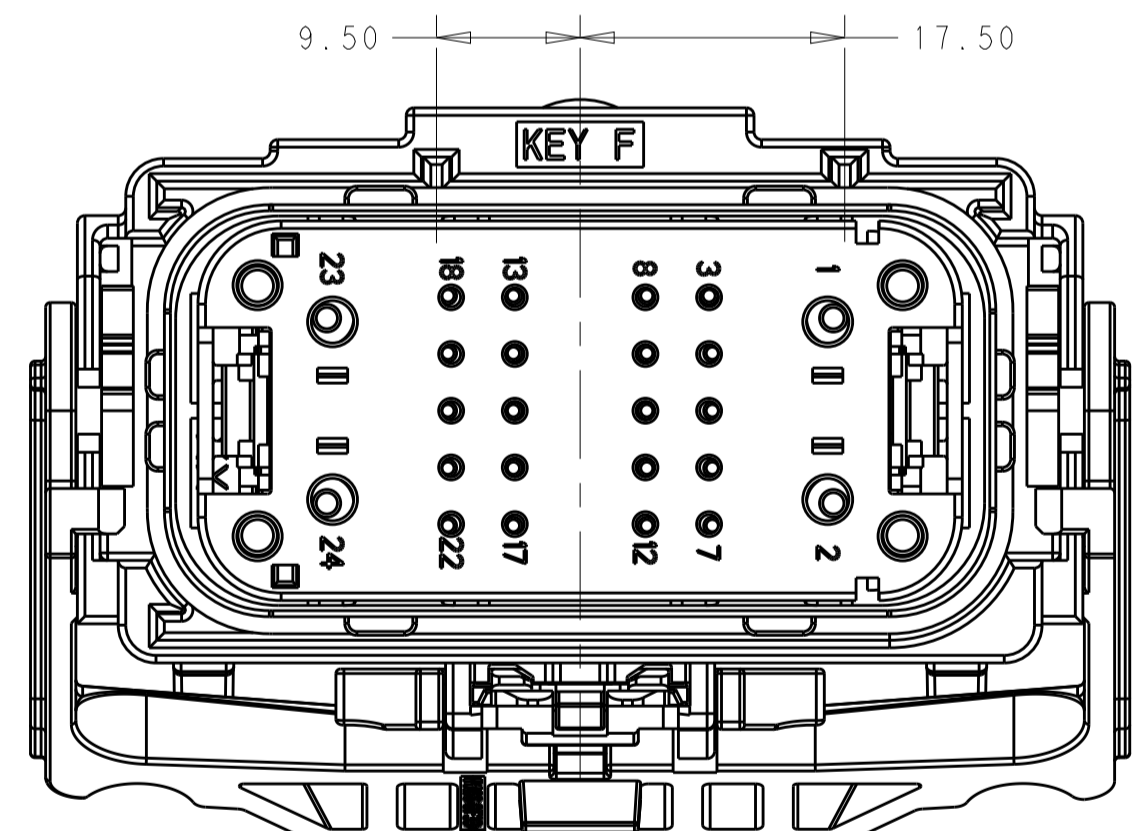
2203859-3  
16 POSITION  
KEY C



2203859-4  
24 POSITION  
KEY D



2203859-5  
24 POSITION  
KEY E



2203859-6  
24 POSITION  
KEY F

THIS DRAWING IS A CONTROLLED DOCUMENT.		OWN: D STRAUSSER 24MAR2014	
DIMENSIONS: mm		CHK: D STRAUSSER	
TOLERANCES UNLESS OTHERWISE SPECIFIED:		APVD: D STRAUSSER 02JUN2020	NAME: AMPSEAL ML CONNECTOR PLUG ASSEMBLY
0 PLC ± 1 PLC ± 2 PLC ± 3 PLC ± 4 PLC ± ANGLES ±		PRODUCT SPEC: 108-151063	SIZE: A1
MATERIAL: -		APPLICATION SPEC: 114-151063	CAGE CODE: -
FINISH: -		WEIGHT: 63g	DRAWING NO: C=2203859
		CUSTOMER DRAWING	RESTRICTED TO: -
		SCALE: 2:1	SHEET 3 OF 3
			REV: A

## X-ON Electronics

Largest Supplier of Electrical and Electronic Components

*Click to view similar products for [Automotive Connectors](#) category:*

*Click to view products by [TE Connectivity](#) manufacturer:*

Other Similar products are found below :

[003-018-000](#) [60993906-B](#) [M902-2131](#) [M902-2161](#) [M902-2344](#) [72.330.1035.1](#) [73.353.4028.0](#) [F166900](#) [F358300-B](#) [F407400](#) [776880-1](#)  
[827153-1](#) [8N1515-32-24P](#) [9-1326729-8](#) [925474-1](#) [928905-1](#) [964562-4](#) [968782-1](#) [98891-1012](#) [12004475-L](#) [12020308](#) [12041318-B](#)  
[12052466](#) [12064869](#) [12015909](#) [1-21030-1](#) [12041254](#) [12041318](#) [12047946-B](#) [12110546-B](#) [12131792](#) [12084688](#) [12092346](#) [HD34-18-14PT](#)  
[HD46-24-23SN-059](#) [HDB36-24-16PN-059](#) [HDP26-24-9SE-L015](#) [12185280](#) [12185550](#) [12336-12](#) [12191172-B](#) [12S](#) [13545280](#) [13577943](#)  
[13681974](#) [13737722-B](#) [13830674](#) [13832576](#) [13849772](#) [13542772](#)