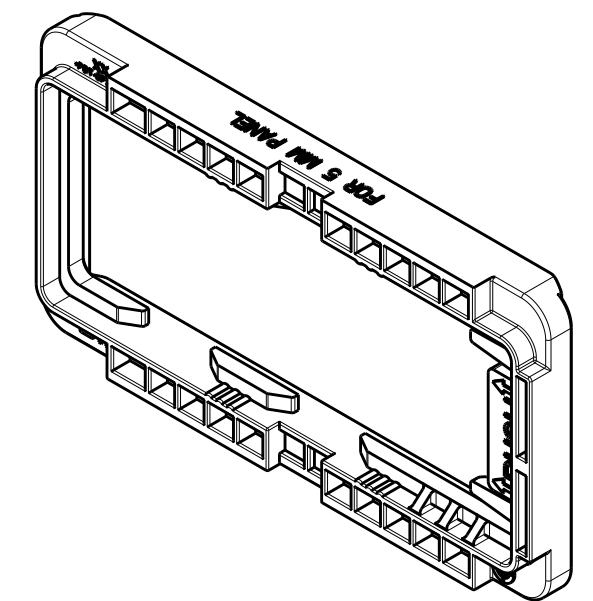
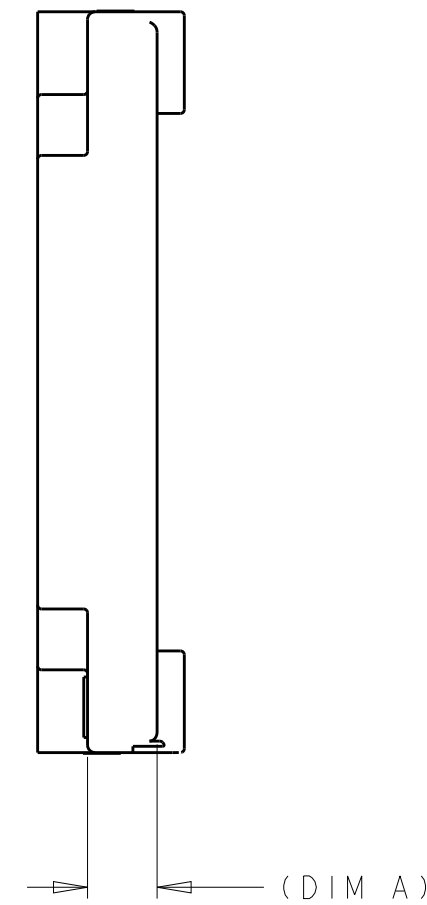
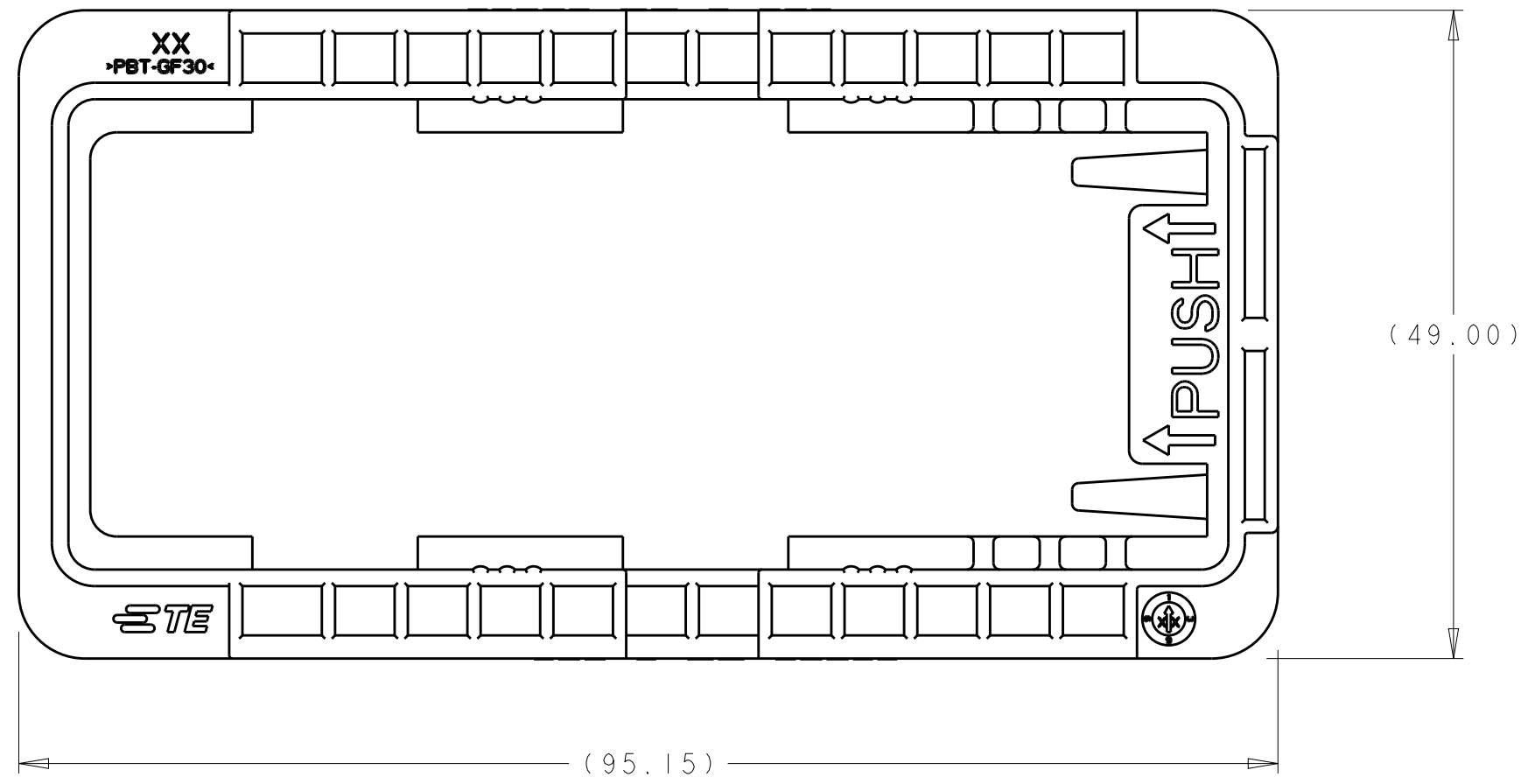


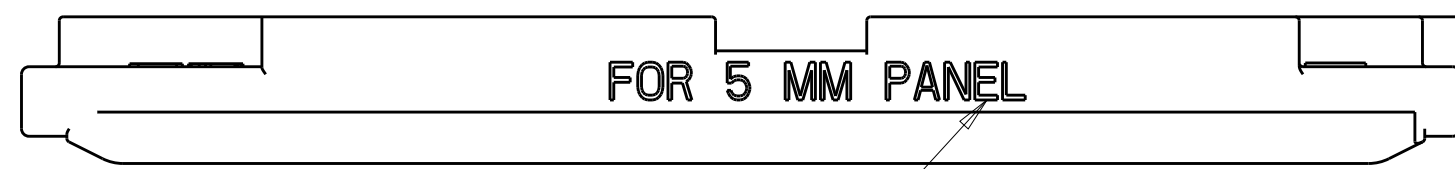
THIS DRAWING IS UNPUBLISHED. RELEASED FOR PUBLICATION 20
 © COPYRIGHT 20 BY - ALL RIGHTS RESERVED.

REVISIONS				
P	LTR	DESCRIPTION	DATE	APVD
	A	RELEASED PER ECO-15-014111	09OCT2015	DLD DCS

- 1 MATERIAL: PBT-GF30
COLOR: SEE TABLE
- 2. FOR USE WITH TE P/N 2272889.
- 3 MARKING FOR RECOMMENDED PANEL THICKNESS. SEE TABLE FOR PART NUMBER TO PANEL THICKNESS RELATIONSHIP.



SCALE 1:1



3

2203876-1 SHOWN

BLACK	3.0±0.10	8.4	2203876-3
YELLOW	4.0±0.10	7.4	2203876-2
RED	5.0±0.10	6.4	2203876-1
COLOR	PANEL THICKNESS 3	DIM A	PART NUMBER

THIS DRAWING IS A CONTROLLED DOCUMENT.		DWN D. STRAUSSER 10OCT2013	STE TE Connectivity	
DIMENSIONS: mm		CHK D. STRAUSSER 10OCT2013		
TOLERANCES UNLESS OTHERWISE SPECIFIED:		APVD D. STRAUSSER 10OCT2013	NAME MOUNTING CLIP, ML CONNECTOR	
0 PLC ±	1 PLC ±	PRODUCT SPEC	SIZE CAGE CODE DRAWING NO RESTRICTED TO	
2 PLC ±	3 PLC ±	APPLICATION SPEC	A20779 C-2203876	
4 PLC ±	ANGLES ±°	WEIGHT	SCALE 2:1 SHEET OF REV A	
FINISH		CUSTOMER DRAWING		

X-ON Electronics

Largest Supplier of Electrical and Electronic Components

Click to view similar products for [Automotive Connectors](#) category:

Click to view products by [TE Connectivity](#) manufacturer:

Other Similar products are found below :

[003-018-000](#) [60403001](#) [60993906-B](#) [M902-2131](#) [M902-2161](#) [72.330.1035.1](#) [73.353.4028.0](#) [F119300-B](#) [F166900](#) [F258300-B](#) [F358300-B](#)
[F407400](#) [F444110](#) [F487000](#) [F509500B-B](#) [827153-1](#) [8N1515-32-24P](#) [9-1326729-8](#) [925474-1](#) [928905-1](#) [964562-4](#) [968782-1](#) [GT17SA-8DS-](#)
[HU](#) [98891-1012](#) [98947-1016](#) [12004147](#) [12004475-L](#) [12010290](#) [12010309-B](#) [12015454](#) [12020219-B](#) [12020308](#) [12041318-B](#) [12052225-L](#)
[12052466](#) [12059125](#) [12064869](#) [12004327-B](#) [12010503-B](#) [12015308](#) [12015384](#) [12015909](#) [1-21030-1](#) [12041254](#) [12041318](#) [12047946-B](#)
[12047957](#) [12047957-L](#) [12059473](#) [12066261](#)