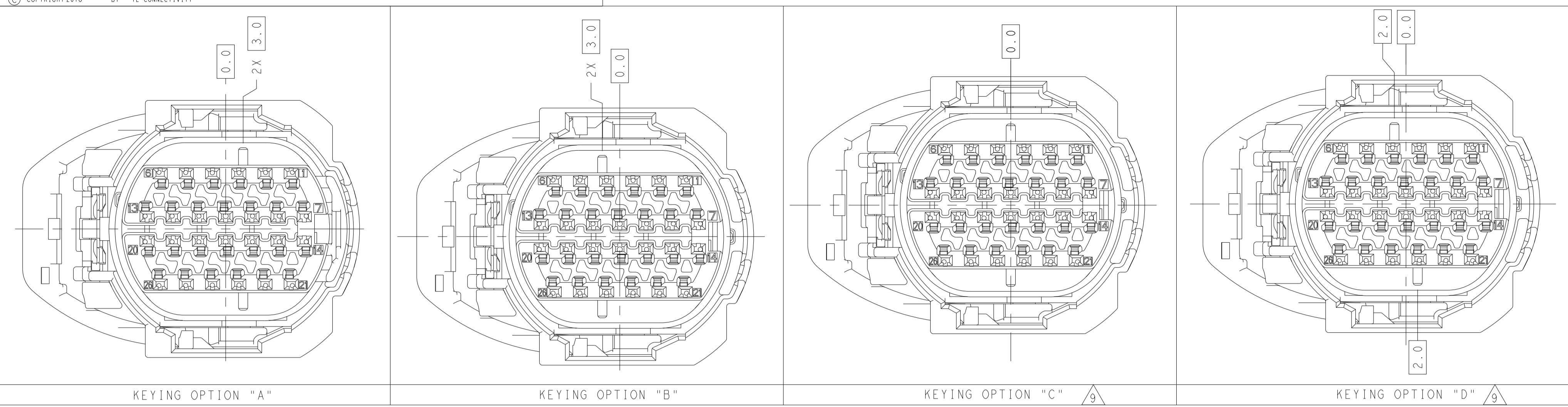
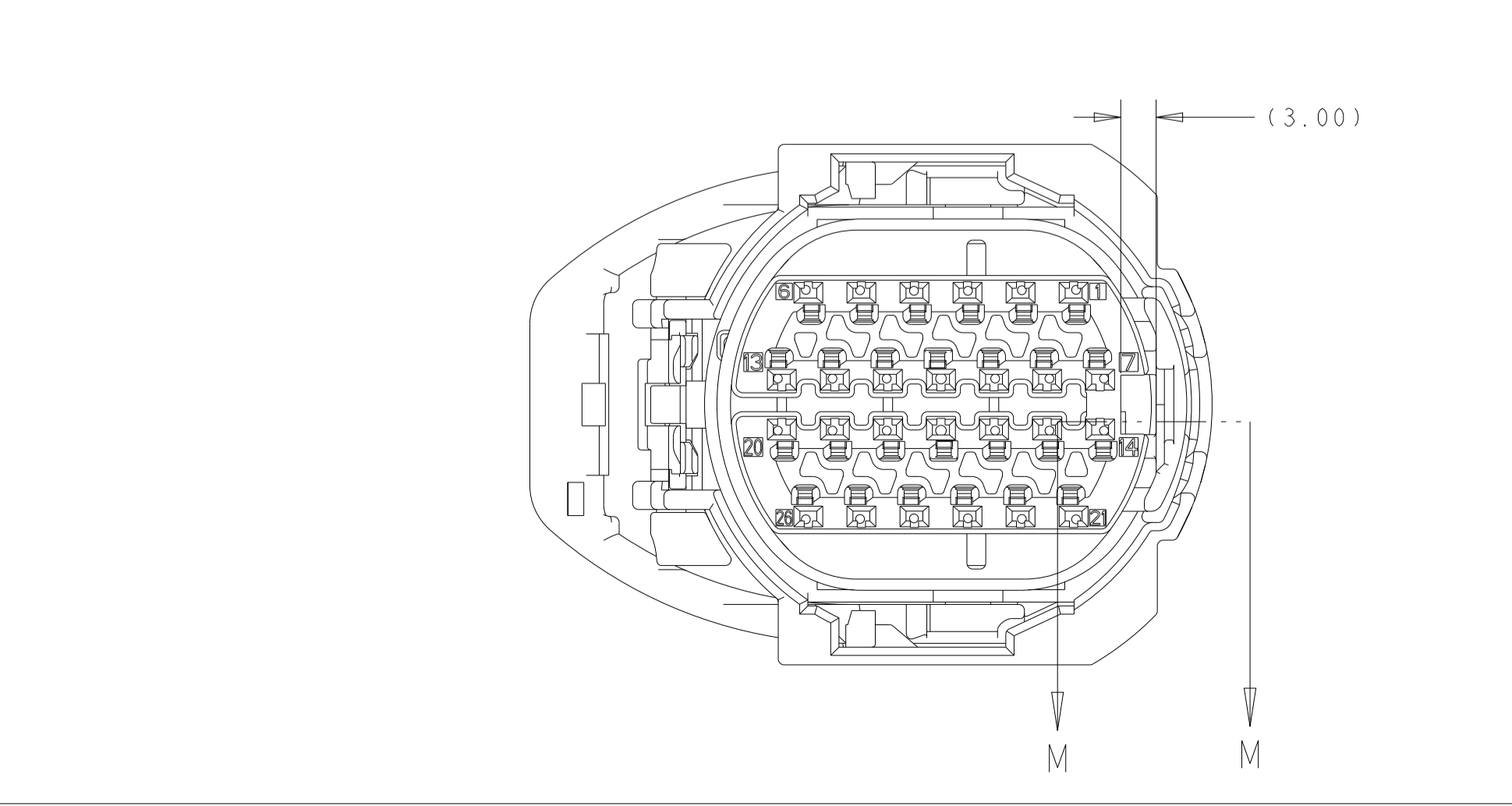
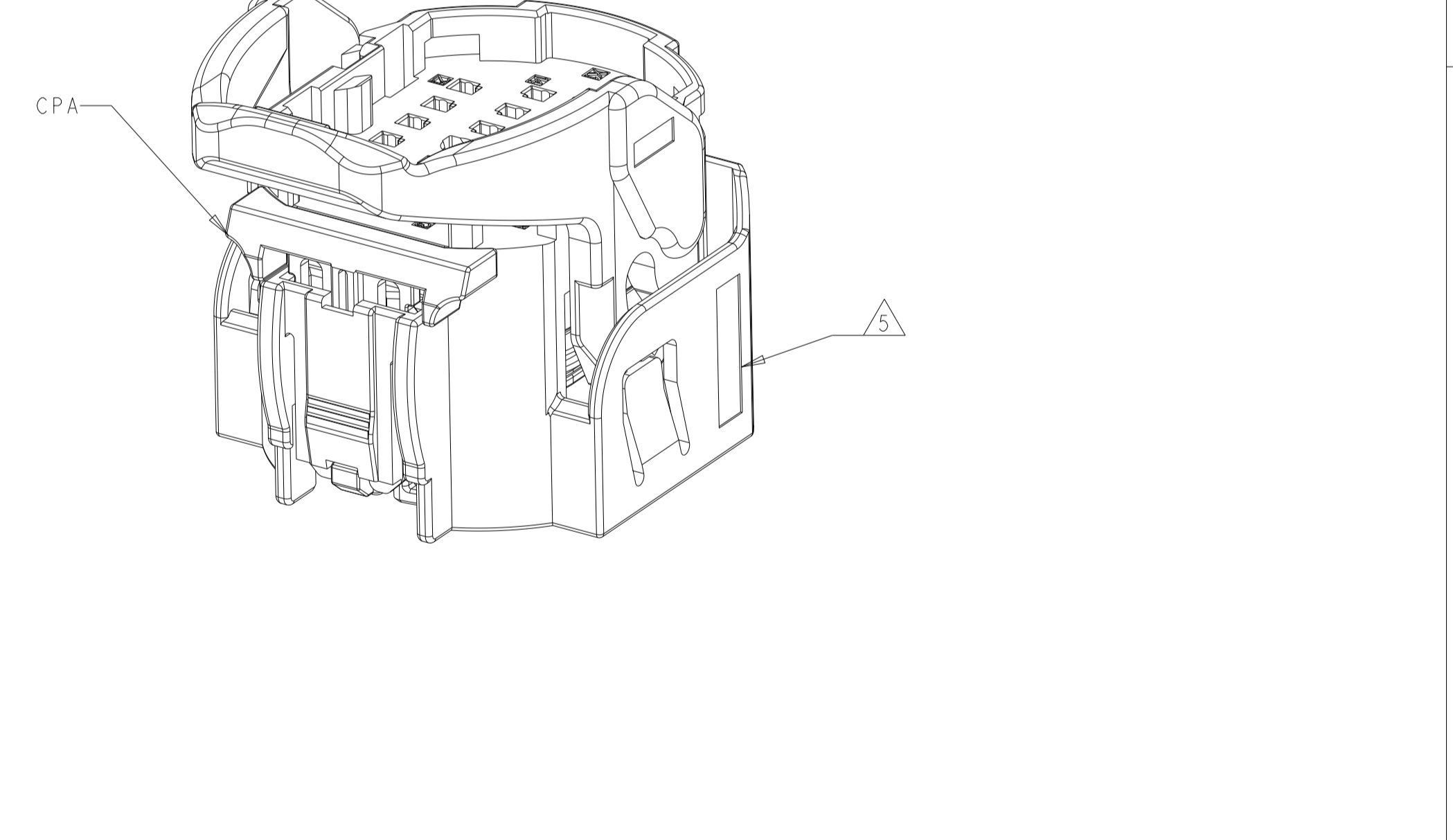
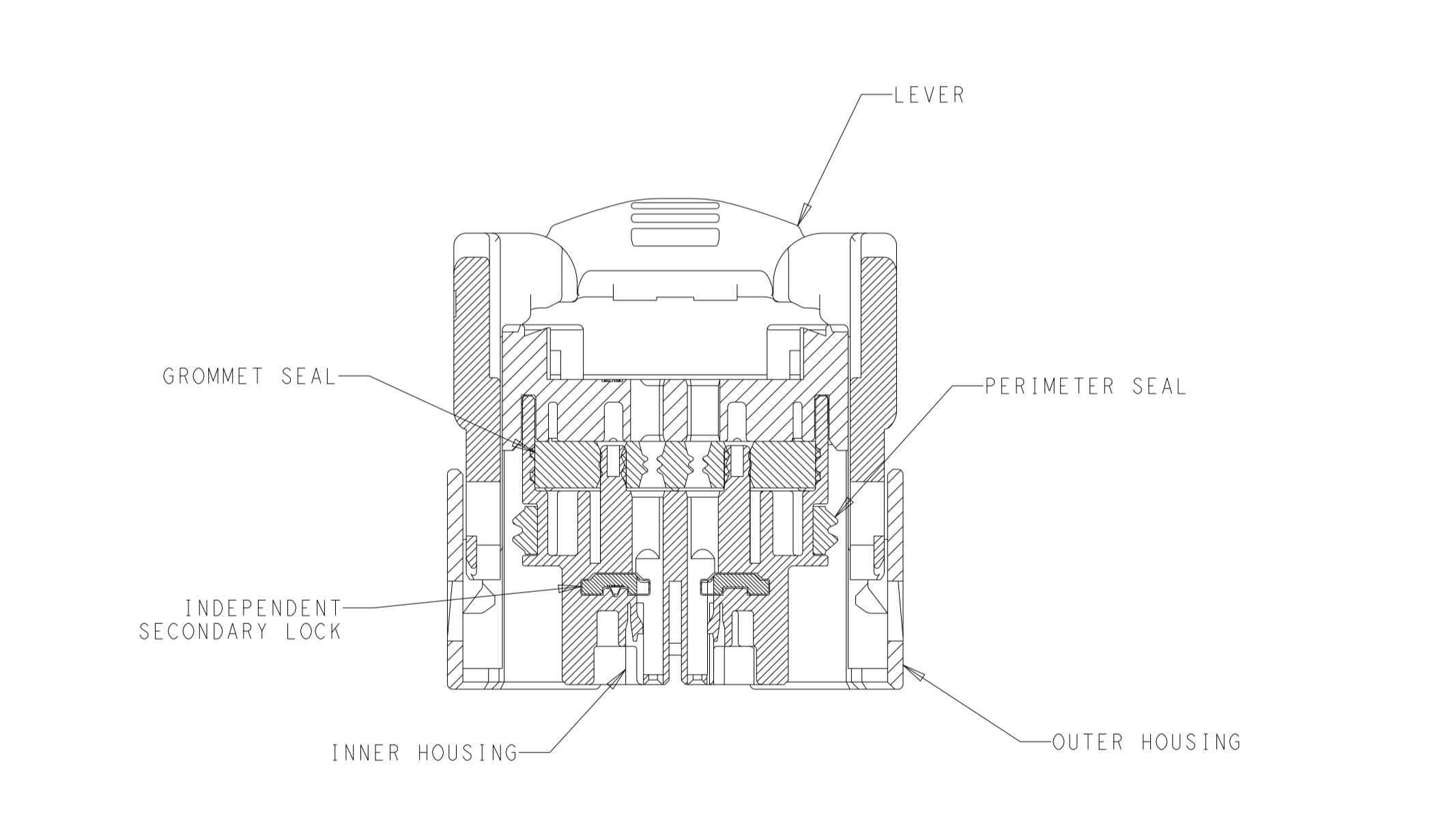
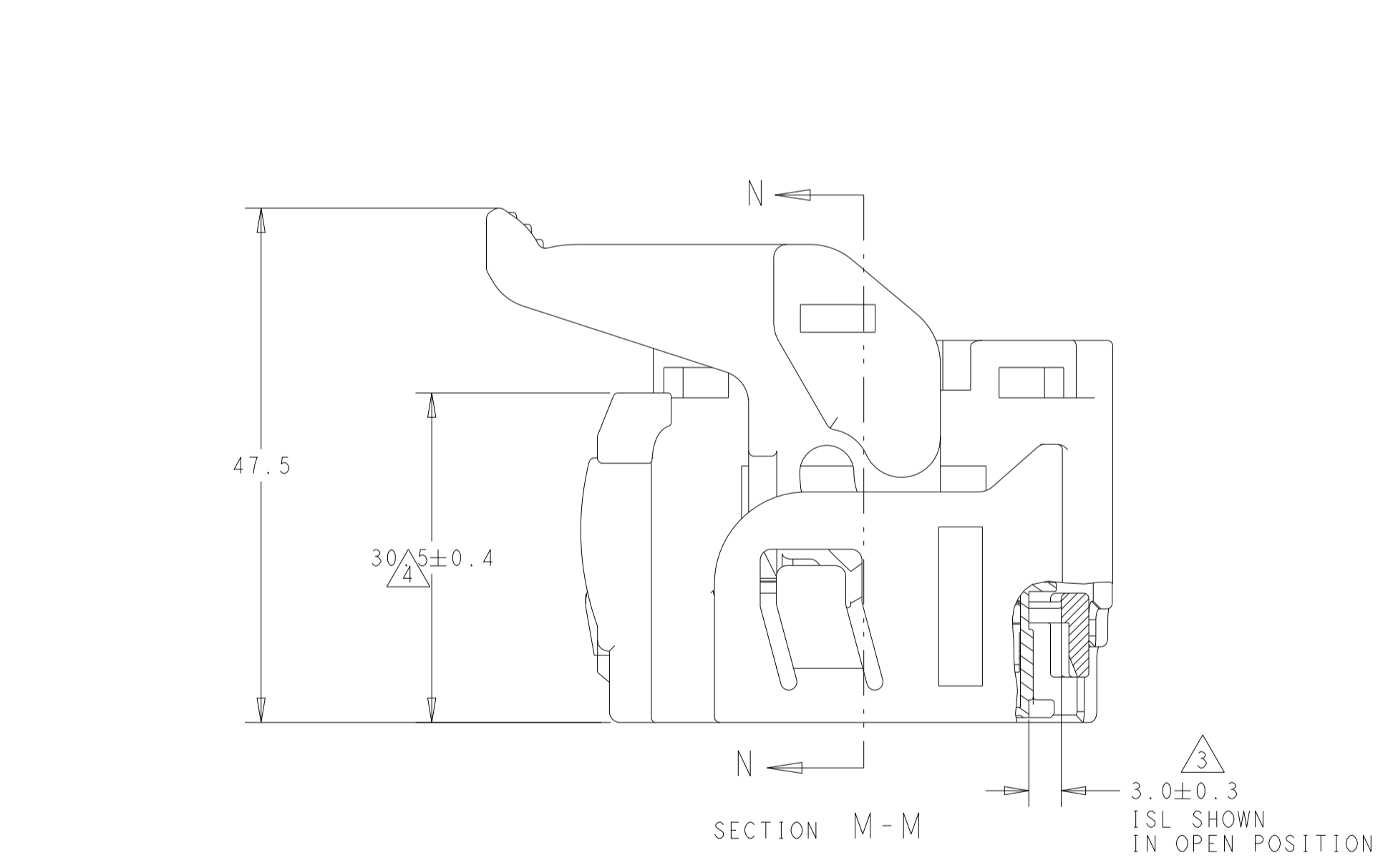
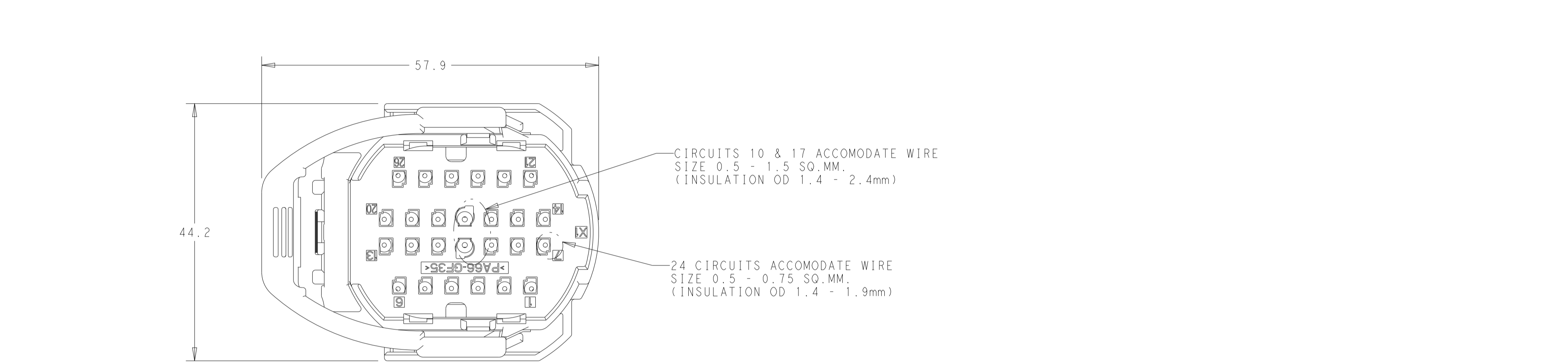


REVISIONS					
P	LTR	DESCRIPTION	DATE	DMN	APVD
A4		REVISED PER ECO-18-012171	01AUG2018	JMS	GM
A5		REVISED PER ECO-19-008061	24MAY2019	JMS	GK
A6		REVISED PER ECN-21-117411	22SEP2021	CN	GK
A7		REVISED PER ECN-21-119751	28SEP2021	CN	GK



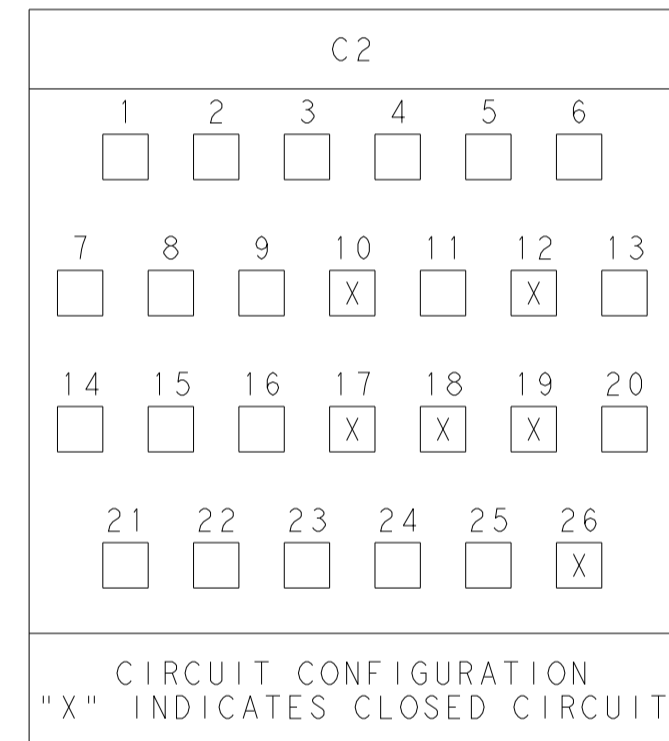
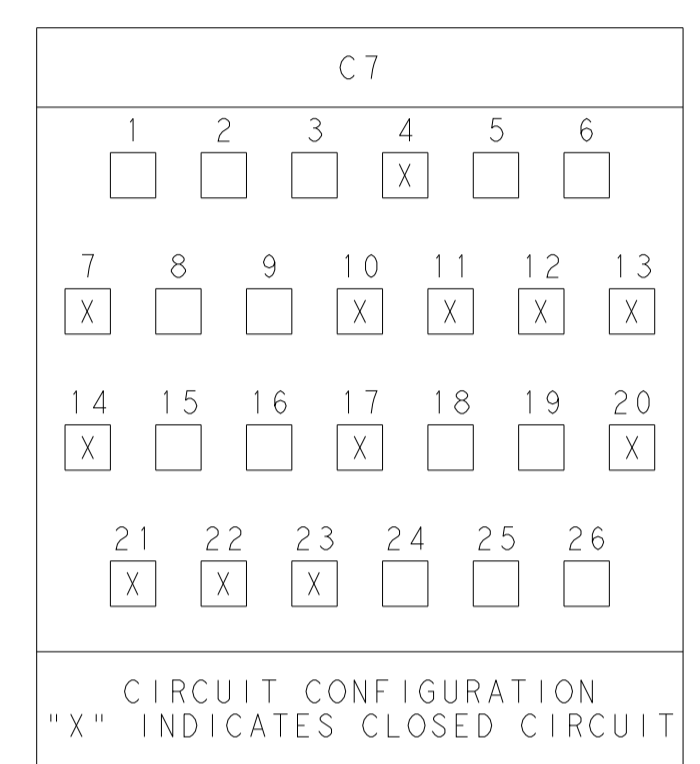
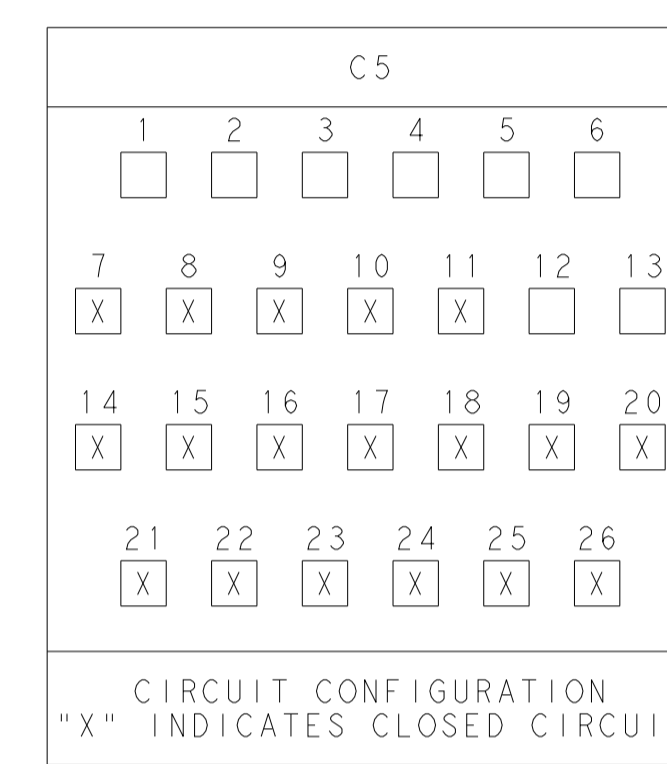
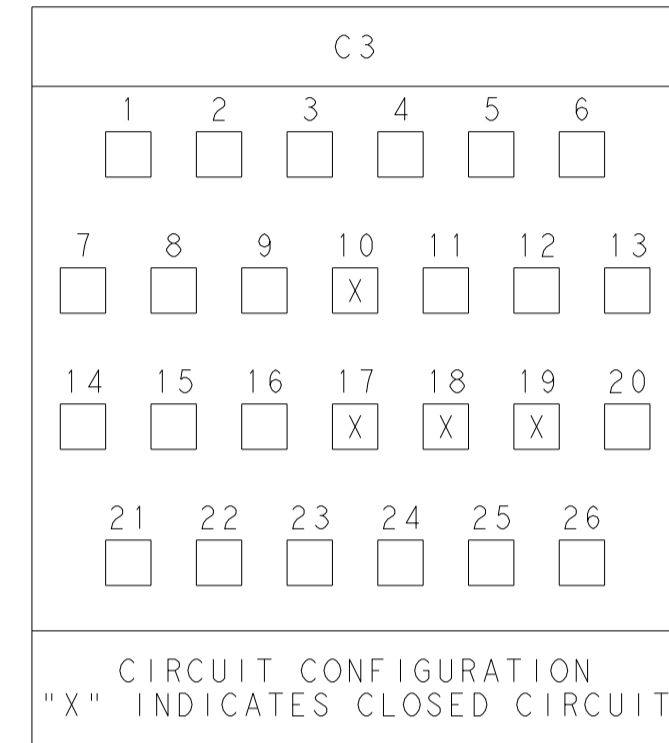
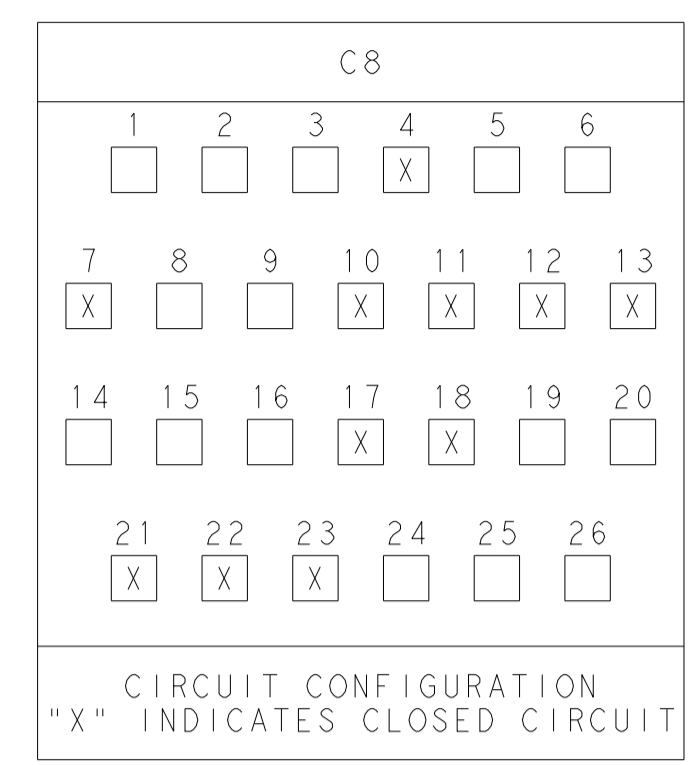
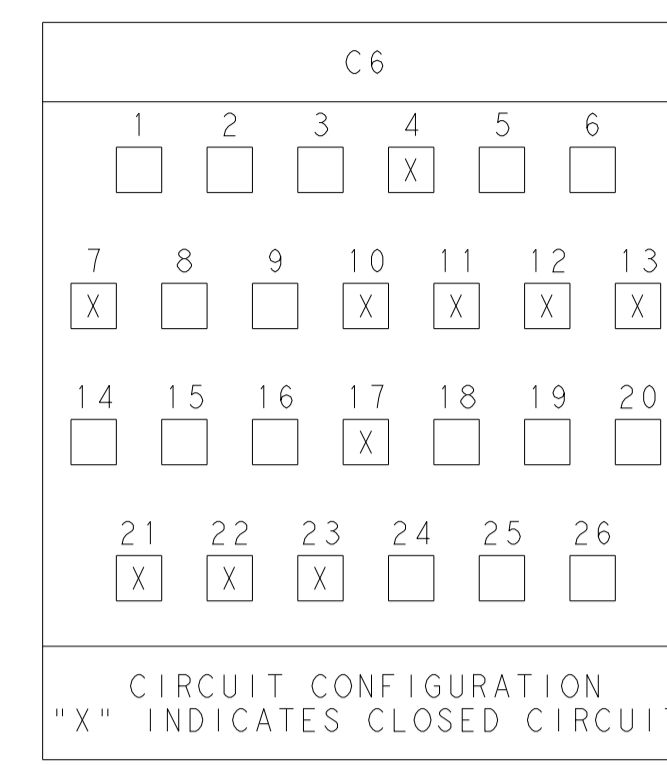
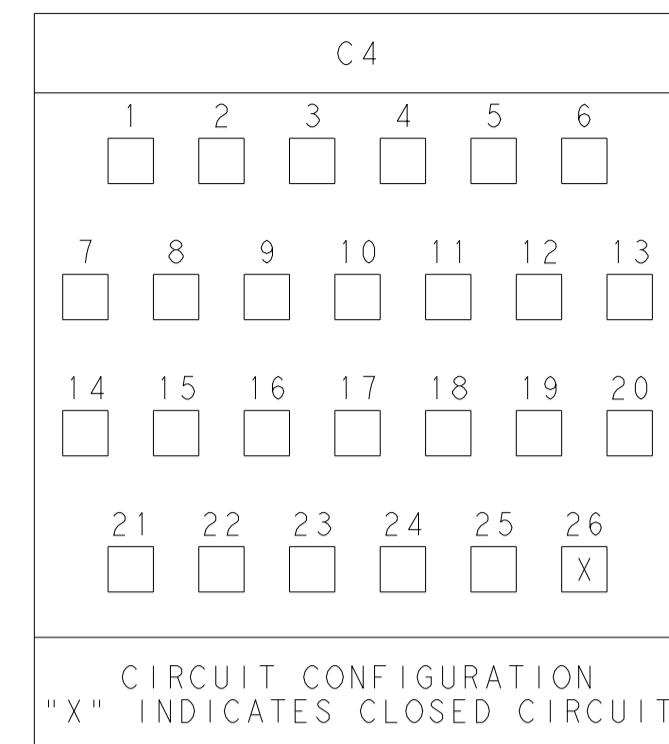
- NOTES:
- MATERIAL:
 INNER HOUSING-NYLON 6/6, 35% GLASS FILLED, BLACK
 OUTER HOUSING-NYLON 6/6, 35% GLASS FILLED, BLACK
 PERIMETER SEAL-SILICONE RUBBER, INHERENTLY LUBRICATED, GREEN
 GROMMET SEAL-SILICONE RUBBER, INHERENTLY LUBRICATED, BLUE
 ISL-NYLON 6/6, 35% GLASS FILLED, GRAY
 CPA-PBT, 30% GLASS FILLED, RED
 LEVER-NYLON 6/6, 35% GLASS FILLED, GRAY
 - 2203973-1 SHOWN IN GENERAL VIEWS.
 - ISL SHOWN IN PRE-SET, SHIPPING POSITION.
 - CPA SHOWN IN PRE-SET, SHIPPING POSITION.
 - TE PART NO. AND JULIAN DATE CODE (YY-DDD) MARKED IN APPROXIMATE LOCATION.
 - APPLICABLE TERMINALS: MCON 1.2 CLEAN BODY
 TE P/N 1670144-X (0.5-0.75 SQ.MM.) ALL CIRCUITS
 TE P/N 1452503-X (1.0-1.5 SQ.MM.) CIRCUITS 10 AND 17 ONLY.
 - MATES WITH TE HEADER ASSEMBLY: 2297721-X
 - SEE SHEET 2 FOR PART NUMBER TABLE WITH KEYING AND CIRCUIT CONFIGURATION OPTIONS.
 - PRELIMINARY DESIGN - NOT TOOLED.
 - APPLICABLE CAVITY PLUGS FOR UNUSED CIRCUITS:
 TE P/N 1-1452424-2 (FOR CIRCUITS 10 & 17 ONLY)
 TE P/N 1-1452424-1 (FOR ALL CIRCUITS EXCEPT 10 & 17)



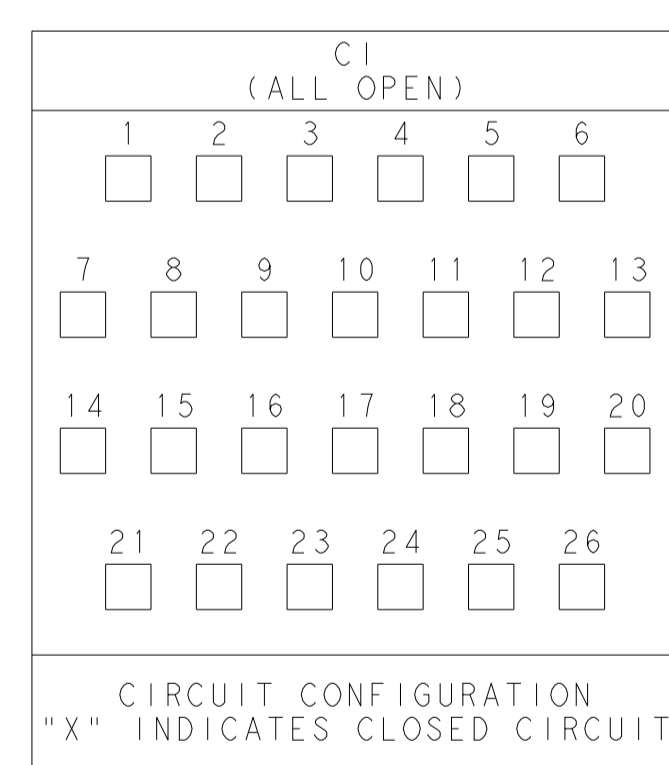
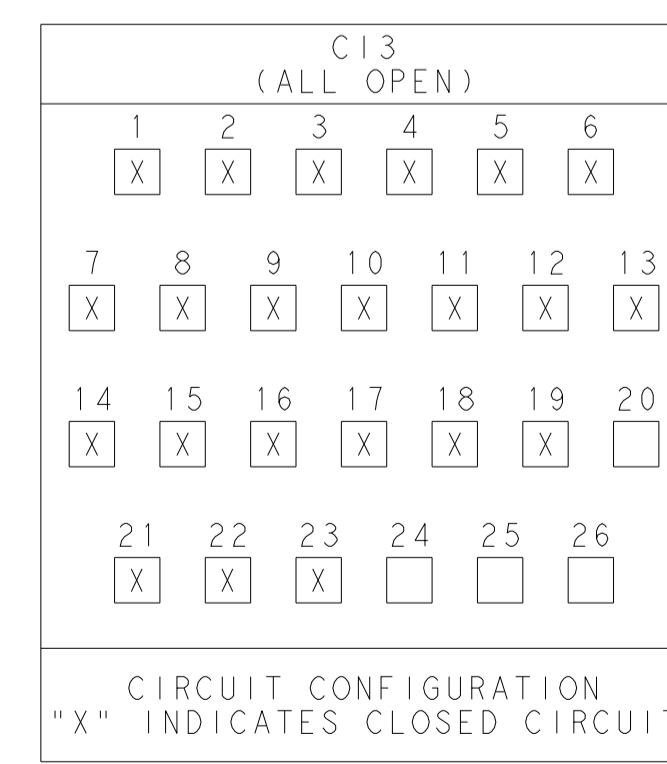
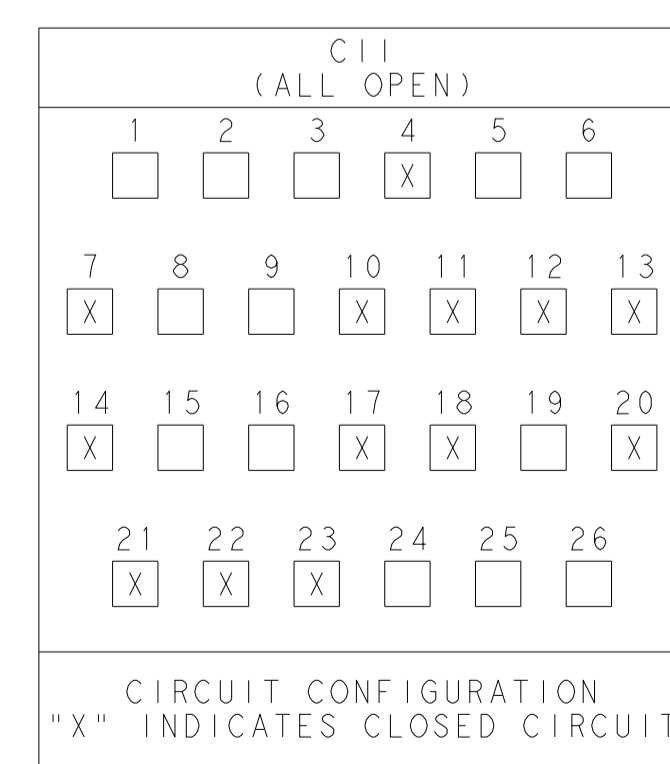
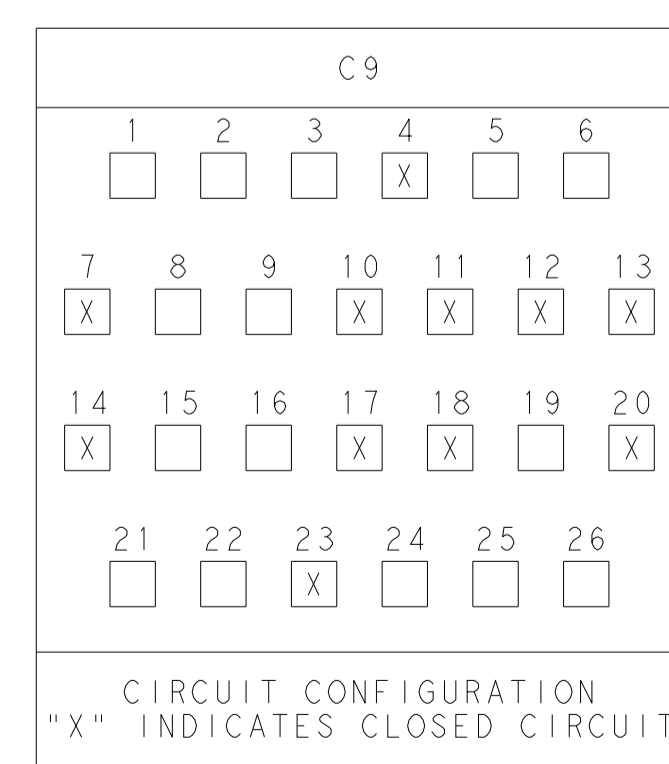
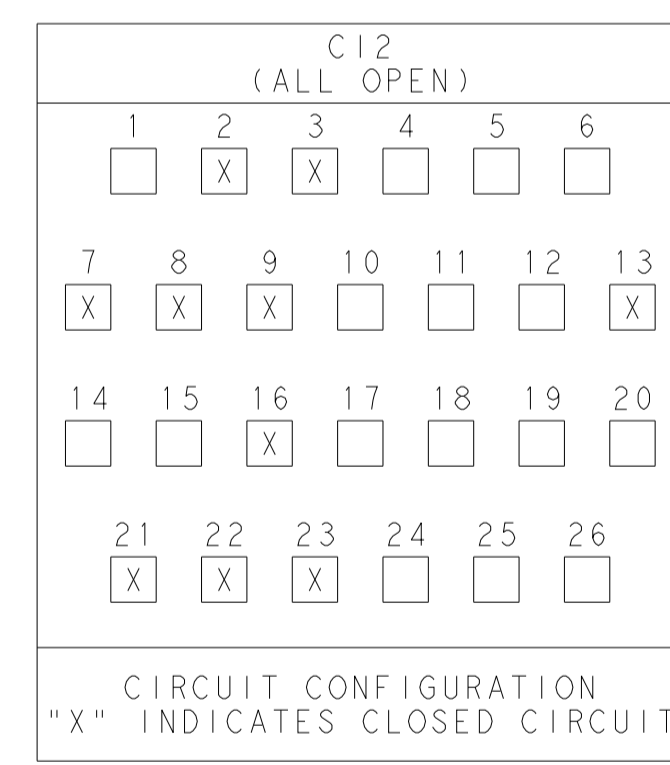
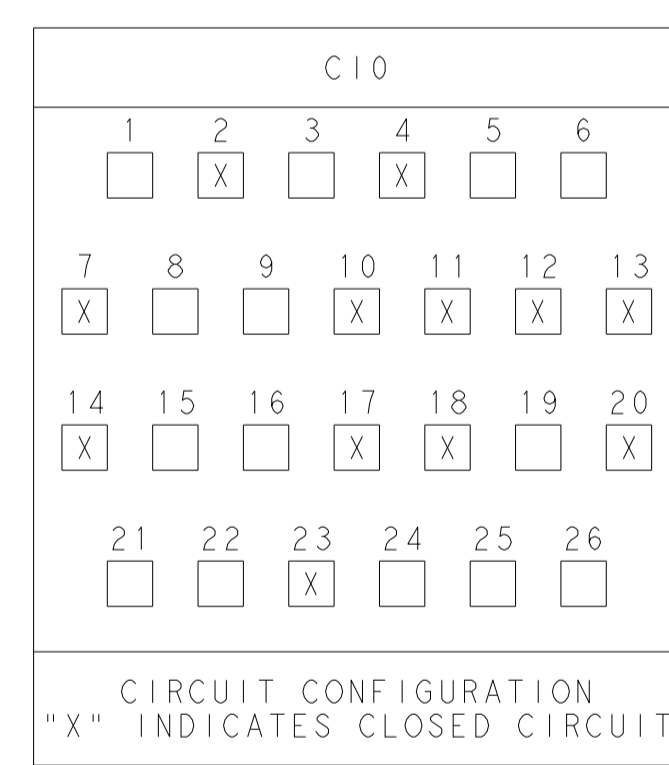
THIS DRAWING IS A CONTROLLED DOCUMENT.		DMN: CHETHAN, K 13NOV2013	
DIMENSIONS: mm		CHK: A. VASBINDER 15NOV2013	
TOLERANCES UNLESS OTHERWISE SPECIFIED:		APVD: A. VASBINDER 15NOV2013	NAME: 26P SEALED MCON FEMALE ASSEMBLY
0 PLC	±	PRODUCT SPEC	SIZE: A1
1 PLC	±0.5	APPLICATION SPEC	CAGE CODE: -
2 PLC	±0.3	408-32149	DRAWING NO: C=2203973
3 PLC	±	WEIGHT: -	RESTRICTED TO: -
4 PLC	±	CUSTOMER DRAWING	SCALE: 2:1
ANGLES	±3°		SHEET 1 OF 2
MATERIAL FINISH			REV: A7

REVISIONS				
P	LTN	DESCRIPTION	DATE	APPD
-		SEE SHEET 1	-	-

FORD	P702	EU5T-14A464-MAA-012	C13	A	1-2203973-6
FORD	P702	EU5T-14A464-MAA-011	C12	A	1-2203973-5
FORD	TBD	EU5T-14A464-MAA-010	C11	A	1-2203973-4
FORD	C727	EU5T-14A464-MAA-009	C10	A	1-2203973-3
FORD	C727	EU5T-14A464-MAA-008	C9	A	1-2203973-2
FORD	C1YB01F-A	EU5T-14A464-MAA-007	C8	A	1-2203973-1
FORD	V611/625	EU5T-14A464-MAA-006	C7	A	1-2203973-0
FORD	C482	EU5T-14A464-MAA-005	C6	A	2203973-9
FORD	CD6	EU5T-14A464-MAA-004	C5	A	2203973-8
FORD	CABLE SHIFT / STOP-START	EU5T-14A464-MAA-003	C4	A	2203973-7
FORD	SHIFT BY WIRE / NON STOP-START	EU5T-14A464-MAA-002	C3	A	2203973-6
FORD	CABLE SHIFT / NON STOP-START	EU5T-14A464-MAA-001	C2	A	2203973-5
VARIOUS	SHIFT BY WIRE / STOP-START VARIOUS (ALL OPEN)	VARIOUS	C1	D	2203973-4
			C1	C	2203973-3
			C1	B	2203973-2
			C1	A	2203973-1
OEM	APPLICATION	CUSTOMER PART NUMBER	CIRCUIT CONFIGURATION	KEYING CONFIGURATION	PART NUMBER



BLOCKED	1, 2, 3, 4, 5, 6, 7, 8, 9, 10, 11, 12, 13, 14, 15, 16, 17, 18, 19, 21, 22, 23	A	1-2203973-6
	2, 3, 7, 8, 9, 13, 16, 21, 22, 23	A	1-2203973-5
	4, 7, 10, 11, 12, 13, 14, 17, 18, 20, 21, 22, 23	A	1-2203973-4
	2, 4, 7, 10, 11, 12, 13, 14, 17, 18, 20, 23	A	1-2203973-3
	4, 7, 10, 11, 12, 13, 14, 17, 18, 20, 23	A	1-2203973-2
	4, 7, 10, 11, 12, 13, 17, 18, 21, 22, 23	A	1-2203973-1
	4, 7, 10, 11, 12, 13, 14, 17, 20, 21, 22, 23	A	1-2203973-0
	4, 7, 10, 11, 12, 13, 17, 21, 22, 23	A	2203973-9
	7, 8, 9, 10, 11, 14, 15, 16, 17, 18, 19, 20, 21, 22, 23, 24, 25, 26	A	2203973-8
	26	A	2203973-7
10, 17, 18, 19	A	2203973-6	
10, 12, 17, 18, 19, 26	A	2203973-5	
ALL OPEN	D	2203973-4	
ALL OPEN	C	2203973-3	
ALL OPEN	B	2203973-2	
ALL OPEN	A	2203973-1	
CIRCUIT CONFIGURATION		KEYING CONFIGURATION	PART NUMBER



THIS DRAWING IS A CONTROLLED DOCUMENT.

DWN: CHETHAN.K	13NOV2013		TE Connectivity 26P SEALED MCON FEMALE ASSEMBLY
CHK: A. VASBINDER	15NOV2013		
APPD: A. VASBINDER	15NOV2013		
PRODUCT SPEC			
DIMENSIONS: mm	TOLERANCES UNLESS OTHERWISE SPECIFIED:	APPL: 408-32149	SIZE: A1
	0 PLC ± 1 PLC ±0.5 2 PLC ±0.3 3 PLC ± 4 PLC ± ANGLES ±° FINISH	APPLICATION SPEC 408-32149 WEIGHT	CAGE CODE DRAWING NO. RESTRICTED TO
MATERIAL	FINISH	WEIGHT	SCALE: 2:1
CUSTOMER DRAWING		SCALE: 2:1	SHEET 2 OF 2

X-ON Electronics

Largest Supplier of Electrical and Electronic Components

Click to view similar products for [Automotive Connectors](#) category:

Click to view products by [TE Connectivity](#) manufacturer:

Other Similar products are found below :

[003-018-000](#) [60403001](#) [60993906-B](#) [M902-2131](#) [M902-2161](#) [72.330.1035.1](#) [73.353.4028.0](#) [F119300-B](#) [F166900](#) [F258300-B](#) [F358300-B](#)
[F407400](#) [F444110](#) [F487000](#) [F509500B-B](#) [827153-1](#) [8N1515-32-24P](#) [9-1326729-8](#) [925474-1](#) [928905-1](#) [964562-4](#) [968782-1](#) [GT17SA-8DS-](#)
[HU](#) [98891-1012](#) [98947-1016](#) [12004147](#) [12004475-L](#) [12010290](#) [12010309-B](#) [12015454](#) [12020219-B](#) [12020308](#) [12041318-B](#) [12052225-L](#)
[12052466](#) [12059125](#) [12064869](#) [12004327-B](#) [12010503-B](#) [12015308](#) [12015384](#) [12015909](#) [1-21030-1](#) [12041254](#) [12041318](#) [12047946-B](#)
[12047957](#) [12047957-L](#) [12059473](#) [12066261](#)