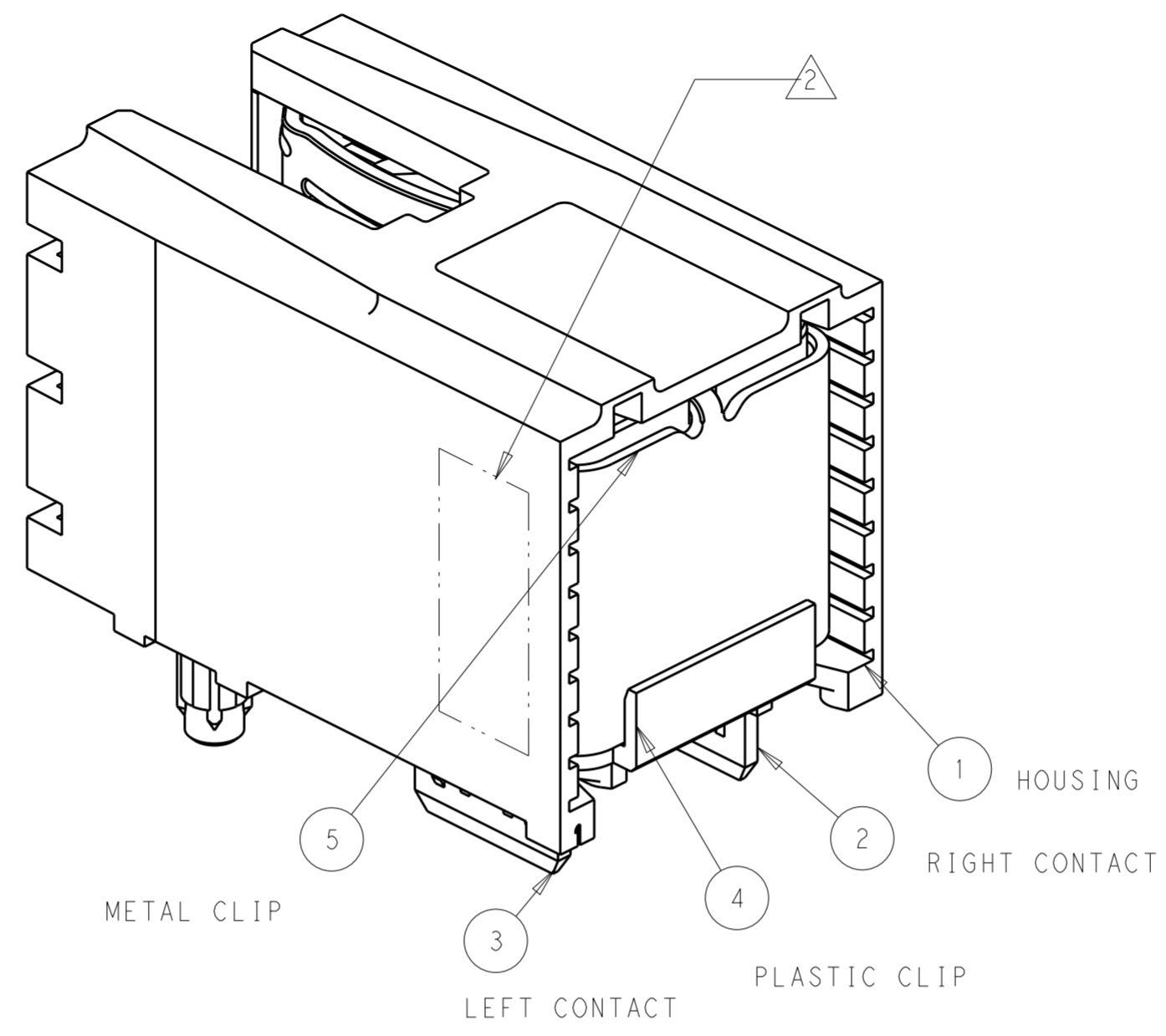
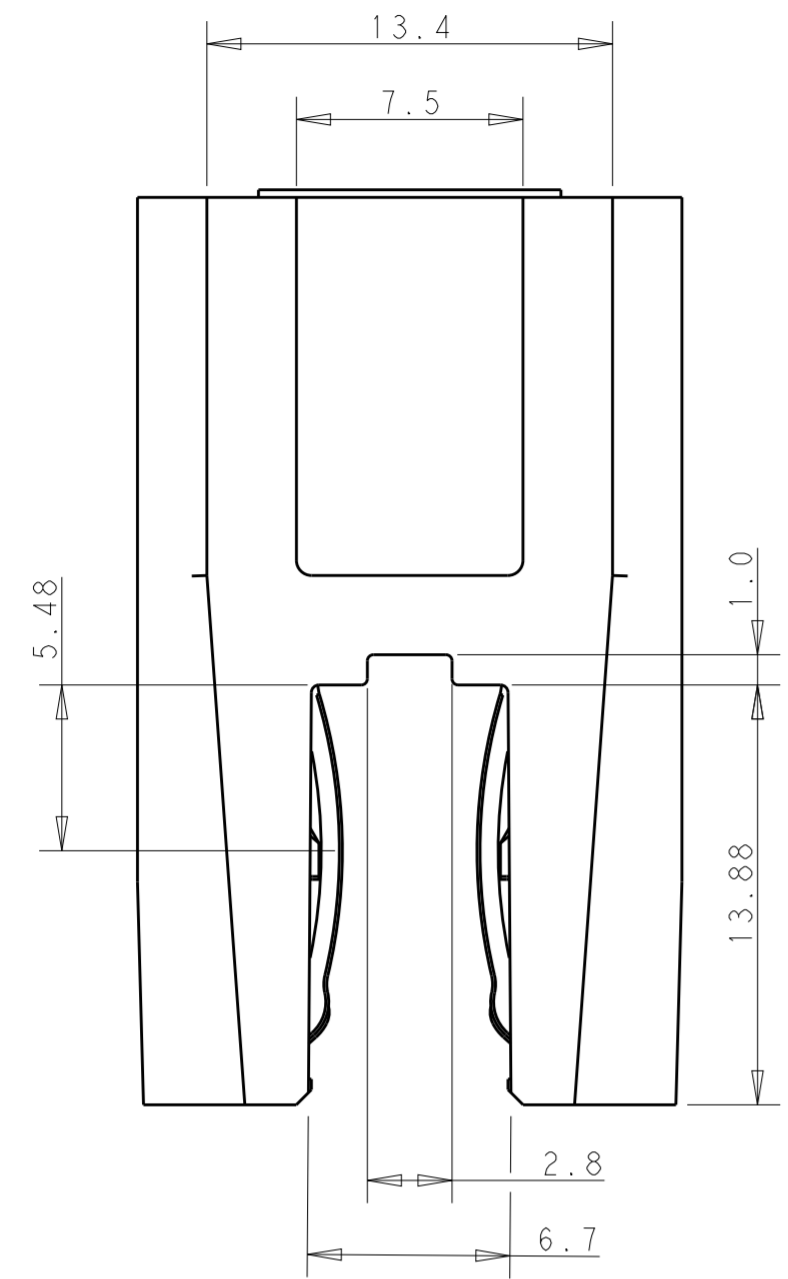
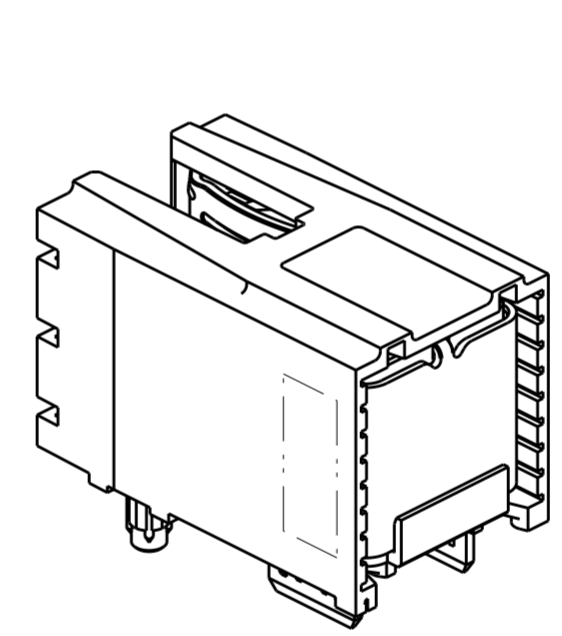
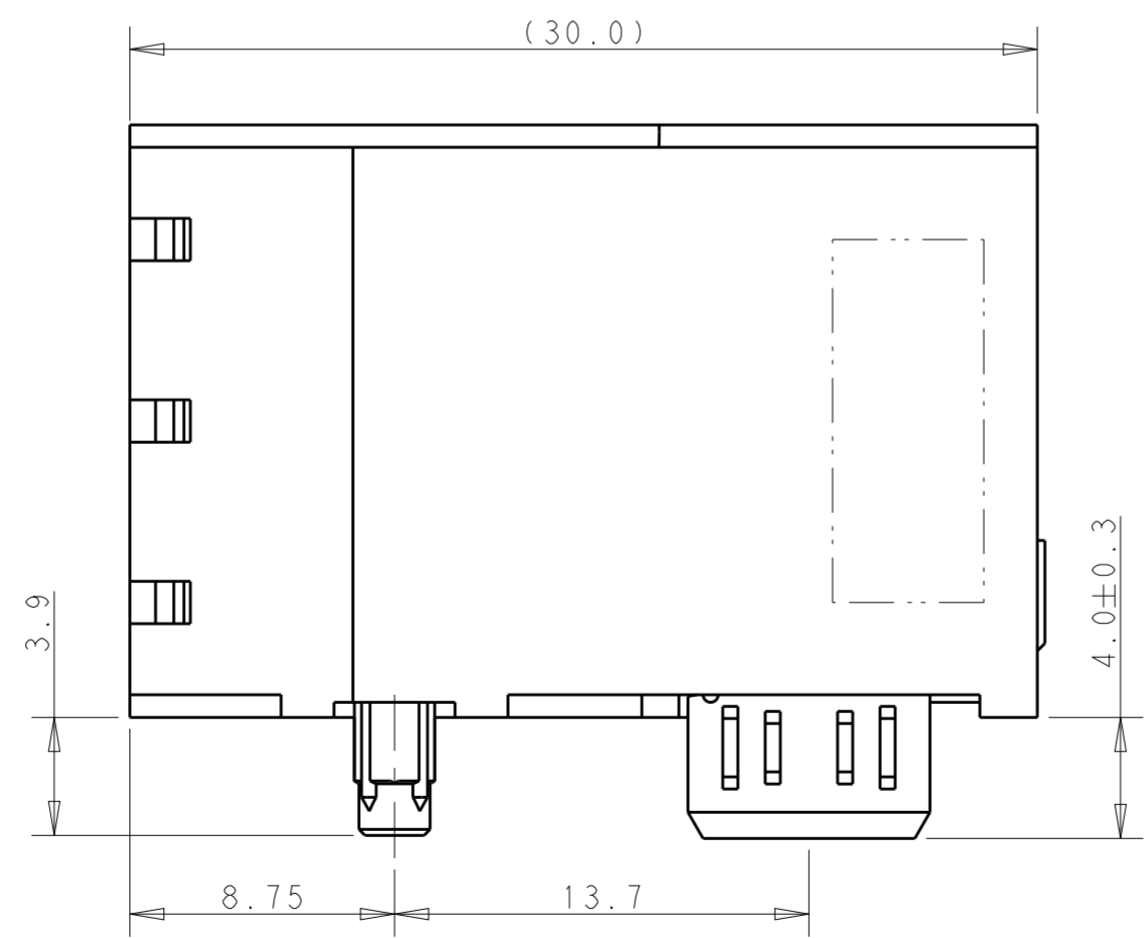
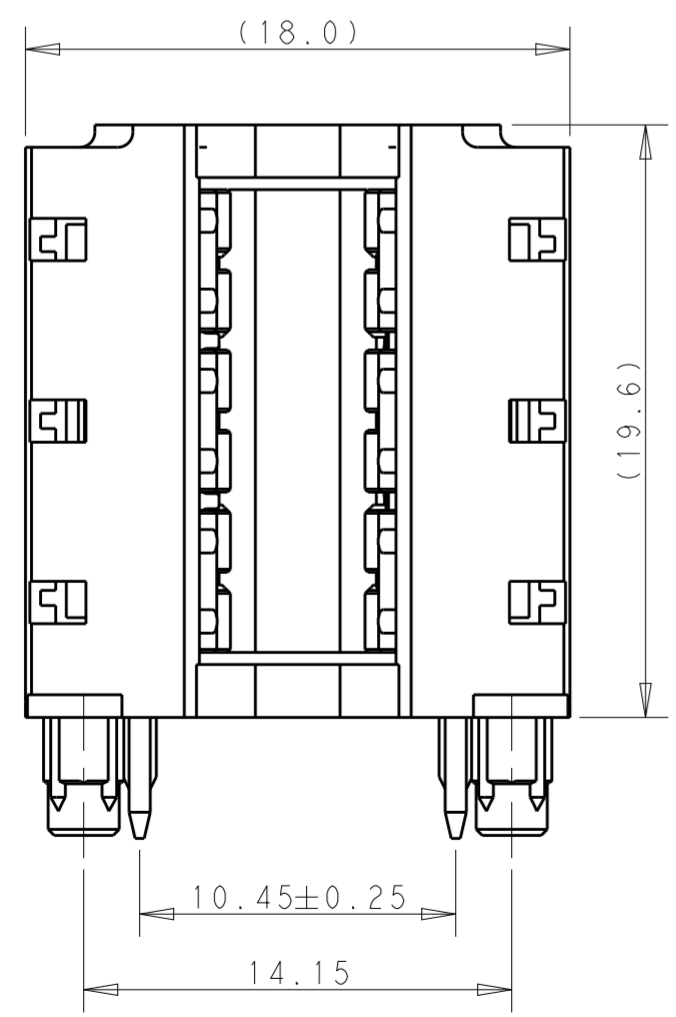


THIS DRAWING IS UNPUBLISHED. RELEASED FOR PUBLICATION 2011  
 © COPYRIGHT 2011 ALL RIGHTS RESERVED.

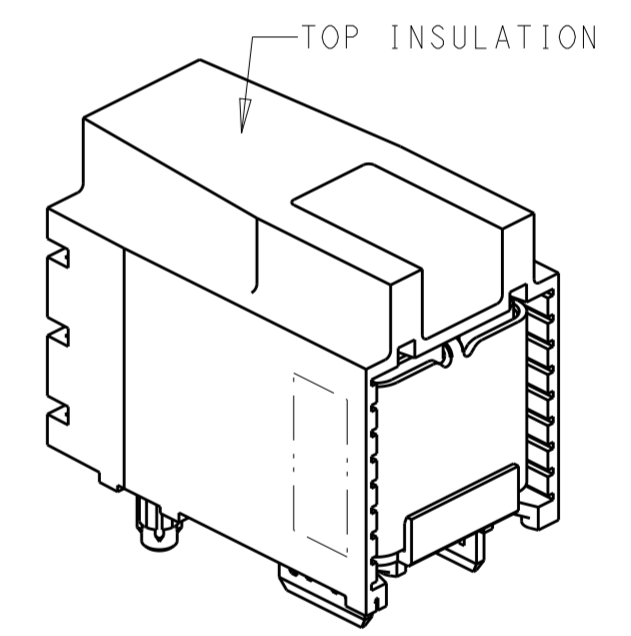
LOC		DIST		REVISIONS			
P	LTR	DESCRIPTION	DATE	DWN	APVD		
	A	RELEASED DRAWING	18AUG2016	TZ	SZ		



- NOTES, UNLESS OTHERWISE SPECIFIED:
- MATERIAL:  
HOUSING-THERMOPLASTIC GLASS PREINFORCED,  
COLOR: BLACK, UL 94 V-0  
CONTACT-COPPER ALLOY
  - AREA FOR DATE CODE AND P/N.
  - FINISH:  
MATING AREA - NOBLE METAL OVERALL NICKEL  
SOLDER TYPE AREA - MATTE TIN OVERALL NICKEL.
  - SURFACE ROUGHNESS IN CONTACT AREA: Ra 1.6um MAX.
  - PLATING NOBLE MATERIAL ON FUNCTION AREA TO MEET THE CUSTOMER REQUIREMENT.



SCALE 2:1  
 PRODUCT VIEW  
 P/N: 2204018-1



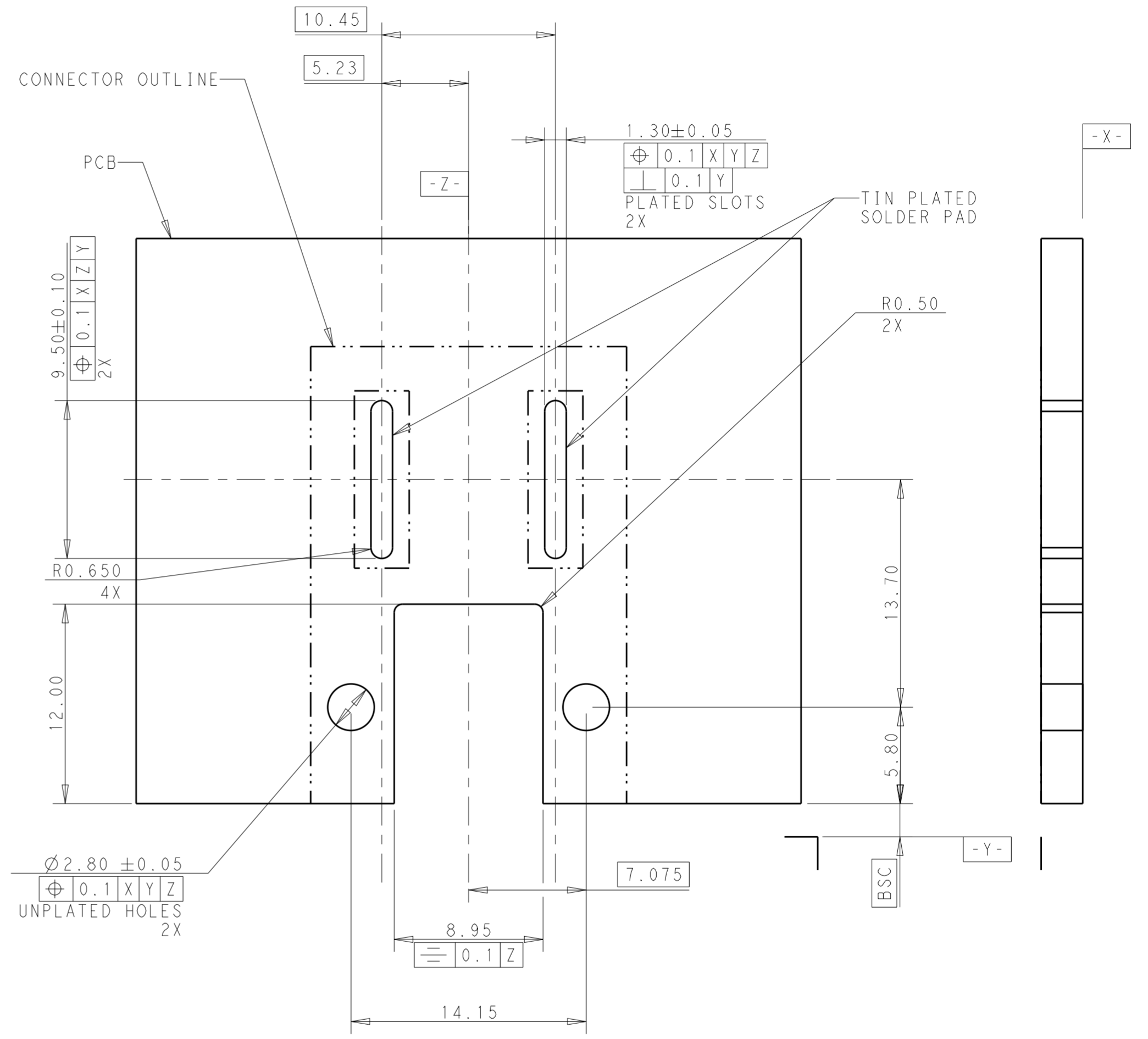
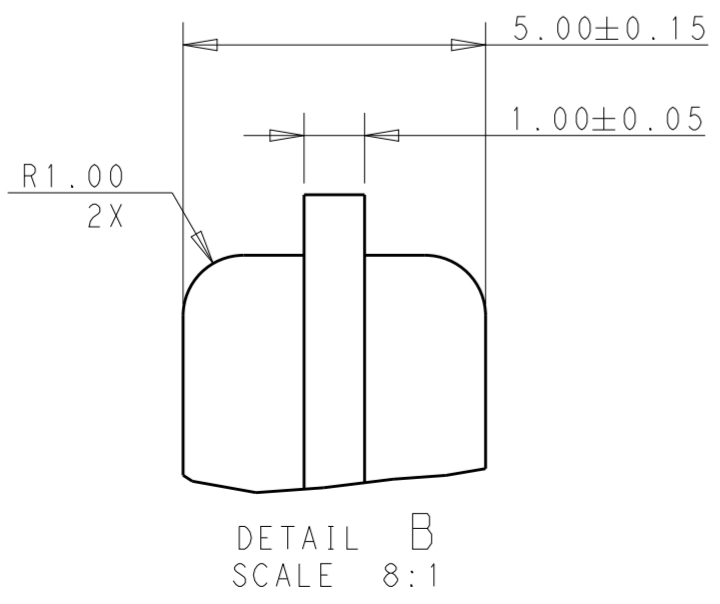
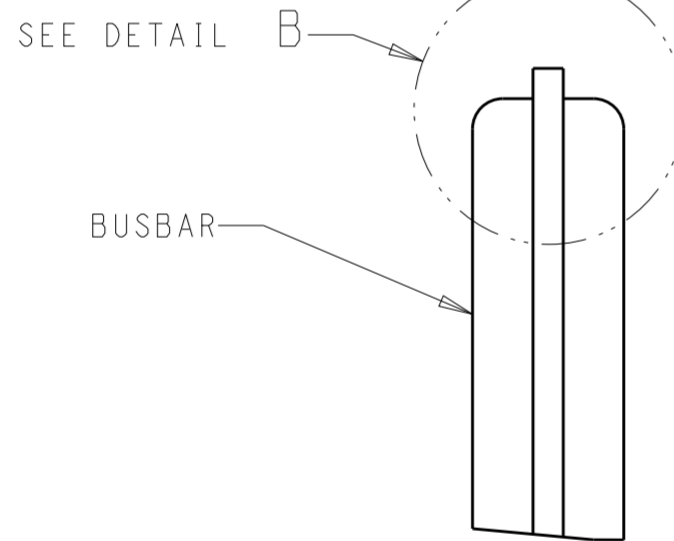
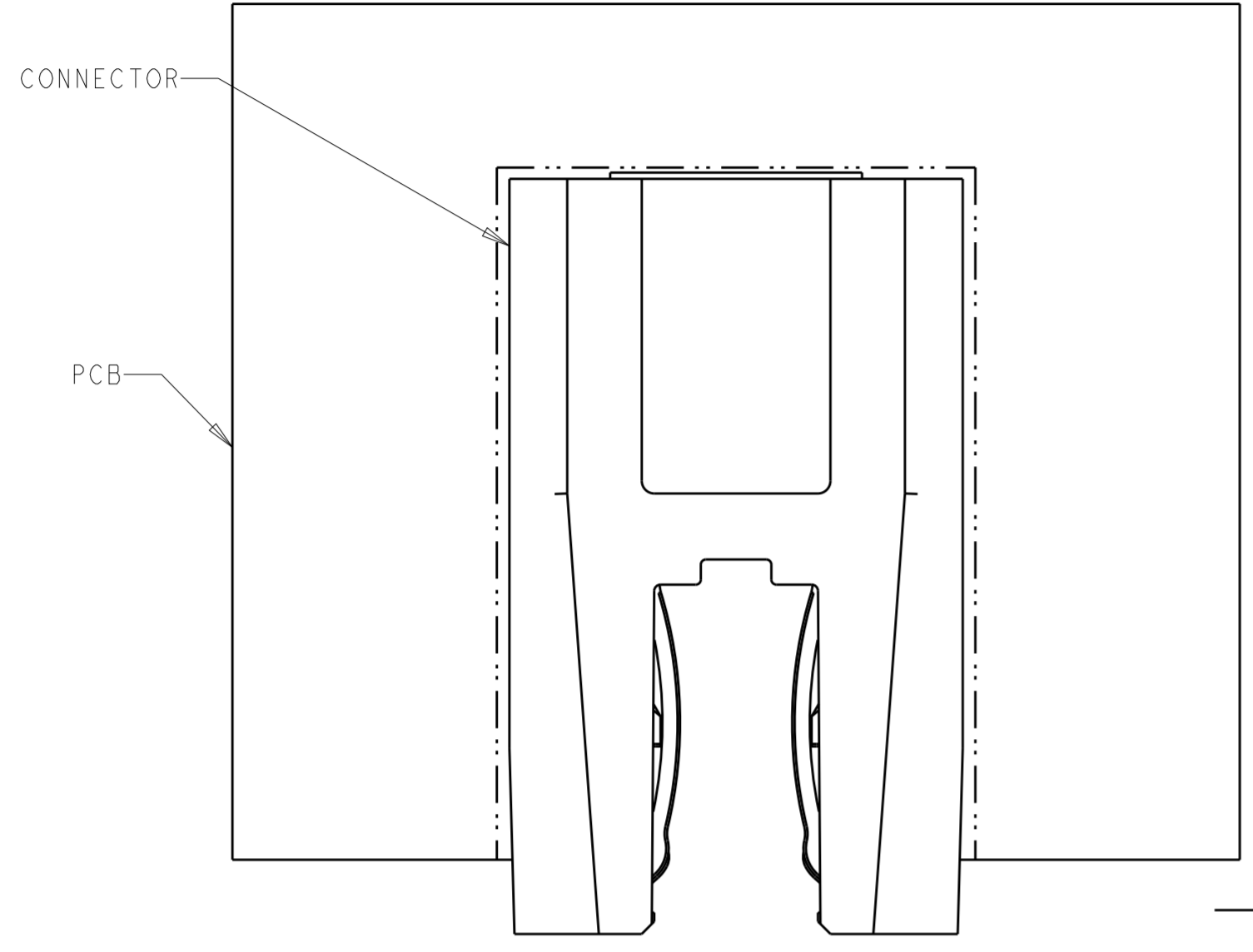
SCALE 2:1  
 PRODUCT VIEW W/ TOP INSULATION  
 P/N: 2204018-2

PRELIMINARY	PRODUCT NUMBER	DESCRIPTION	ITEM
	2204018-2	DUAL CROWN CLIP JUNIOR CONN W/TOP INSULATION	2
	2204018-1	DUAL CROWN CLIP JUNIOR CONN	1

THIS DRAWING IS A CONTROLLED DOCUMENT.		DWN J. CHENG 11JAN2012	<b>STE</b> TE Connectivity	
		CHK S. ZHAO 11JAN2012		
		APVD S. ZHAO 11JAN2012	NAME PLUGGABLE BUSBAR CONNECTOR SOLDER VERSION DUAL POLE CROWN CLIP JR	
DIMENSIONS: mm		TOLERANCES UNLESS OTHERWISE SPECIFIED: 0 PLC ± - 1 PLC ±0.25 2 PLC ±0.15 3 PLC ±0.05 4 PLC ± - ANGLES ±1° FINISH	PRODUCT SPEC -	SIZE A2
MATERIAL		APPLICATION SPEC -	WEIGHT -	CAGE CODE 00779
		CUSTOMER DRAWING	SCALE 4:1	DRAWING NO 2204018
			SHEET 1 OF 2	RESTRICTED TO -
			REV A	

THIS DRAWING IS UNPUBLISHED. RELEASED FOR PUBLICATION 2011  
 © COPYRIGHT 2011 ALL RIGHTS RESERVED.

LOC	DIST	REVISIONS					
FT	0	P	LTR	DESCRIPTION	DATE	DWN	APVD
		-		SEE SHEET 1			



RECOMMENDED PCB LAYOUT THICKNESS: 1.6-2.5MM

THIS DRAWING IS A CONTROLLED DOCUMENT.		DWN	J. CHENG	11JAN2012	 TE Connectivity			
DIMENSIONS: mm		CHK	S. ZHAO	11JAN2012				
TOLERANCES UNLESS OTHERWISE SPECIFIED:		APVD	S. ZHAO	11JAN2012				
0 PLC ± - 1 PLC ±0.25 2 PLC ±0.15 3 PLC ±0.05 4 PLC ± - ANGLES ±1° FINISH		NAME	PLUGGABLE BUSBAR CONNECTOR SOLDER VERSION DUAL POLE CROWN CLIP JR					
MATERIAL		PRODUCT SPEC	-		SIZE	CAGE CODE	DRAWING NO	RESTRICTED TO
		APPLICATION SPEC	-		A2	00779	C-2204018	-
		WEIGHT	-		SCALE 4:1 SHEET 2 OF 2 REV A			
		CUSTOMER DRAWING						

## X-ON Electronics

Largest Supplier of Electrical and Electronic Components

*Click to view similar products for [Heavy Duty Power Connectors](#) category:*

*Click to view products by [TE Connectivity](#) manufacturer:*

Other Similar products are found below :

[647757-1](#) [6643411-1](#) [6646058-2](#) [6646137-1](#) [6646138-1](#) [6646479-1](#) [6646608-1](#) [6646786-1](#) [6646940-1](#) [6651091-1](#) [6651525-1](#) [6651529-1](#)  
[6651788-1](#) [696475-1](#) [702-32-01109](#) [703-25-02205](#) [73000005059](#) [73000005642](#) [73080255059](#) [73080965046](#) [765-15-0080A](#) [765-16-0080B](#)  
[765-18-0080D](#) [829992-1](#) [902-77-02113](#) [PS00/A0620/6300](#) [PS25/A0420/63](#) [129-1J](#) [1409400](#) [AN0024023](#) [E6374G1](#) [e6389g2](#) [157-43GW8](#)  
[MS3117-14AC](#) [1643543-1](#) [1650540-1](#) [1651811-2](#) [1766260-1](#) [1766282-1](#) [1766966-1](#) [1791340000](#) [NLDFT-3-BL-L-S120-M40A](#) [NLDFT-N-](#)  
[W-L-C240-M40B](#) [NLS-2-R-C240-M40B](#) [NLS-N-W-C240-M40B](#) [NPS-3-BL-T6](#) [1986615-1](#) [2-1589900-8](#) [2199314-1](#) [KA8102](#)