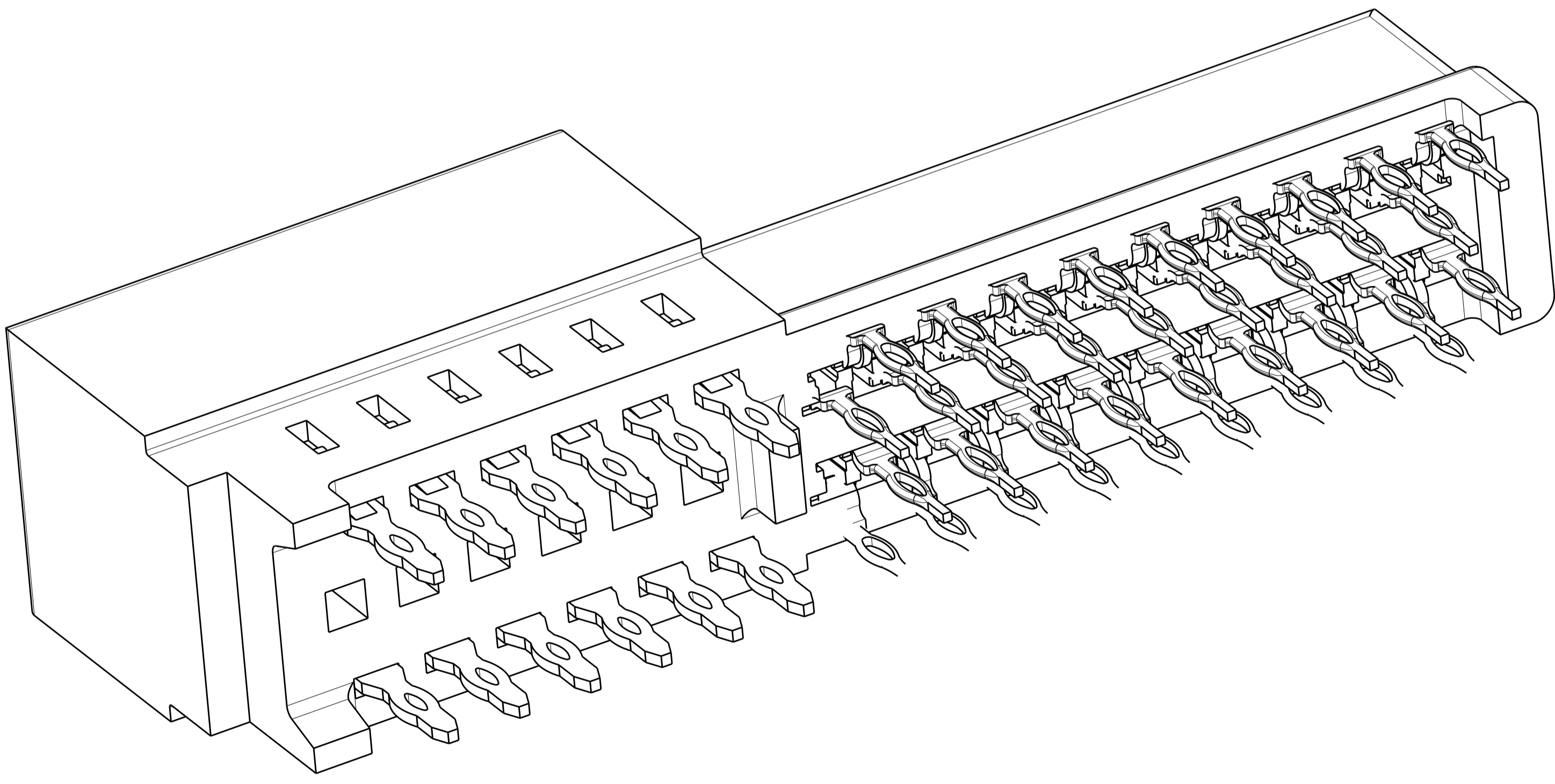
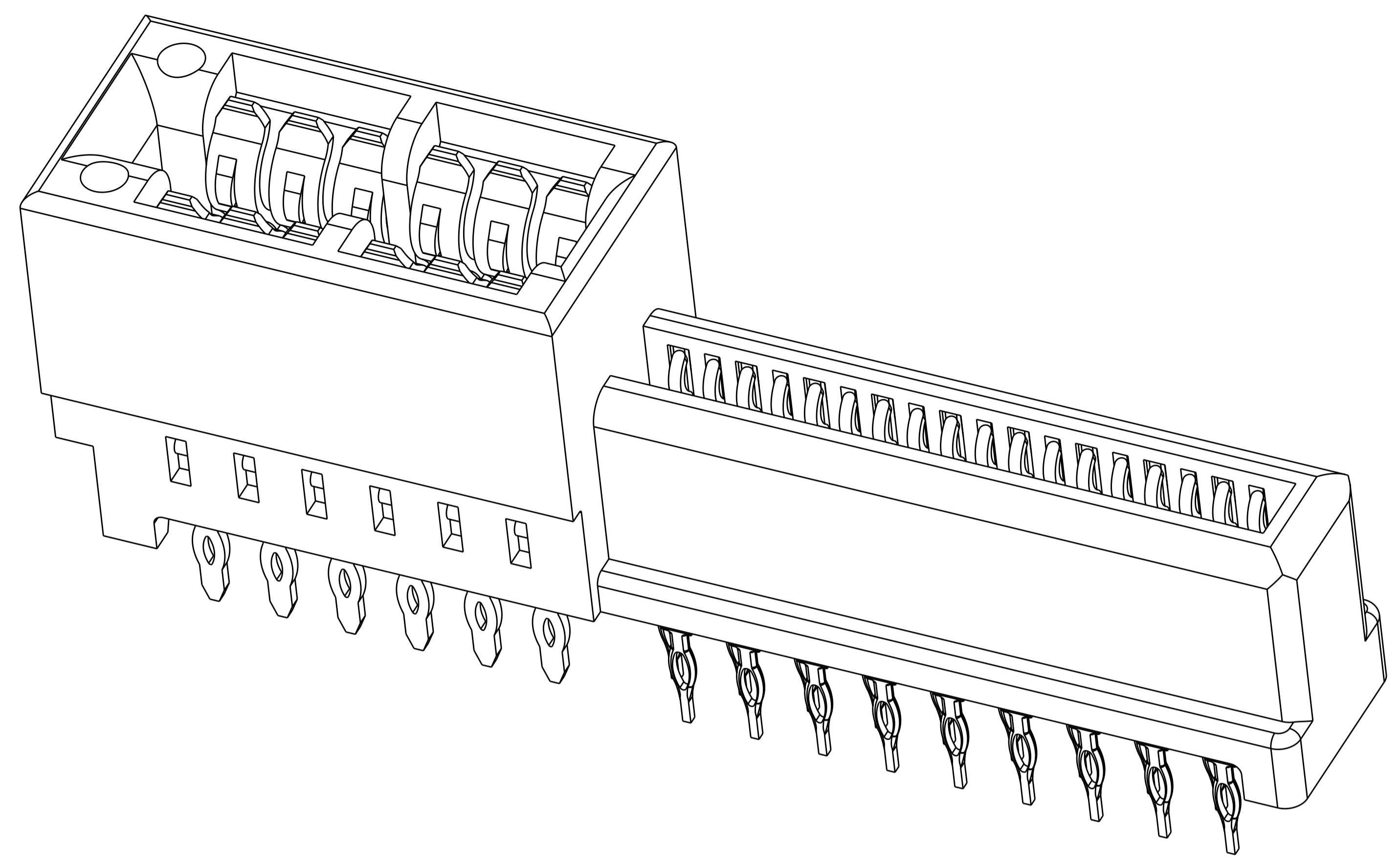


LOC		DIST		REVISIONS			
AA	00	P	LTN	DESCRIPTION	DATE	DWN	APVD
		A		INITIAL RELEASED	27FEB2013	AY	SZ
		A1		REV PER ECR-13-007783	13MAY2013	AY	SZ

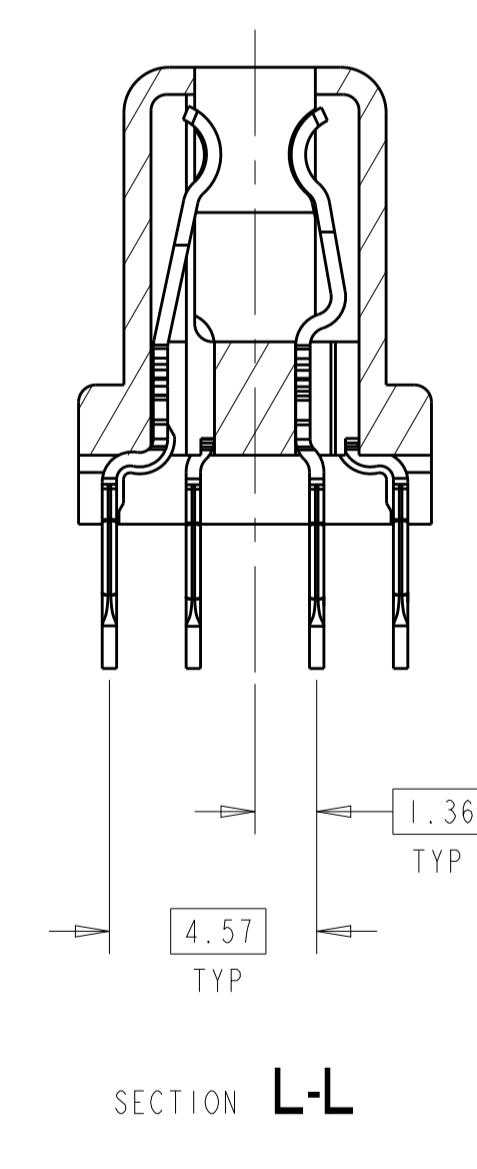
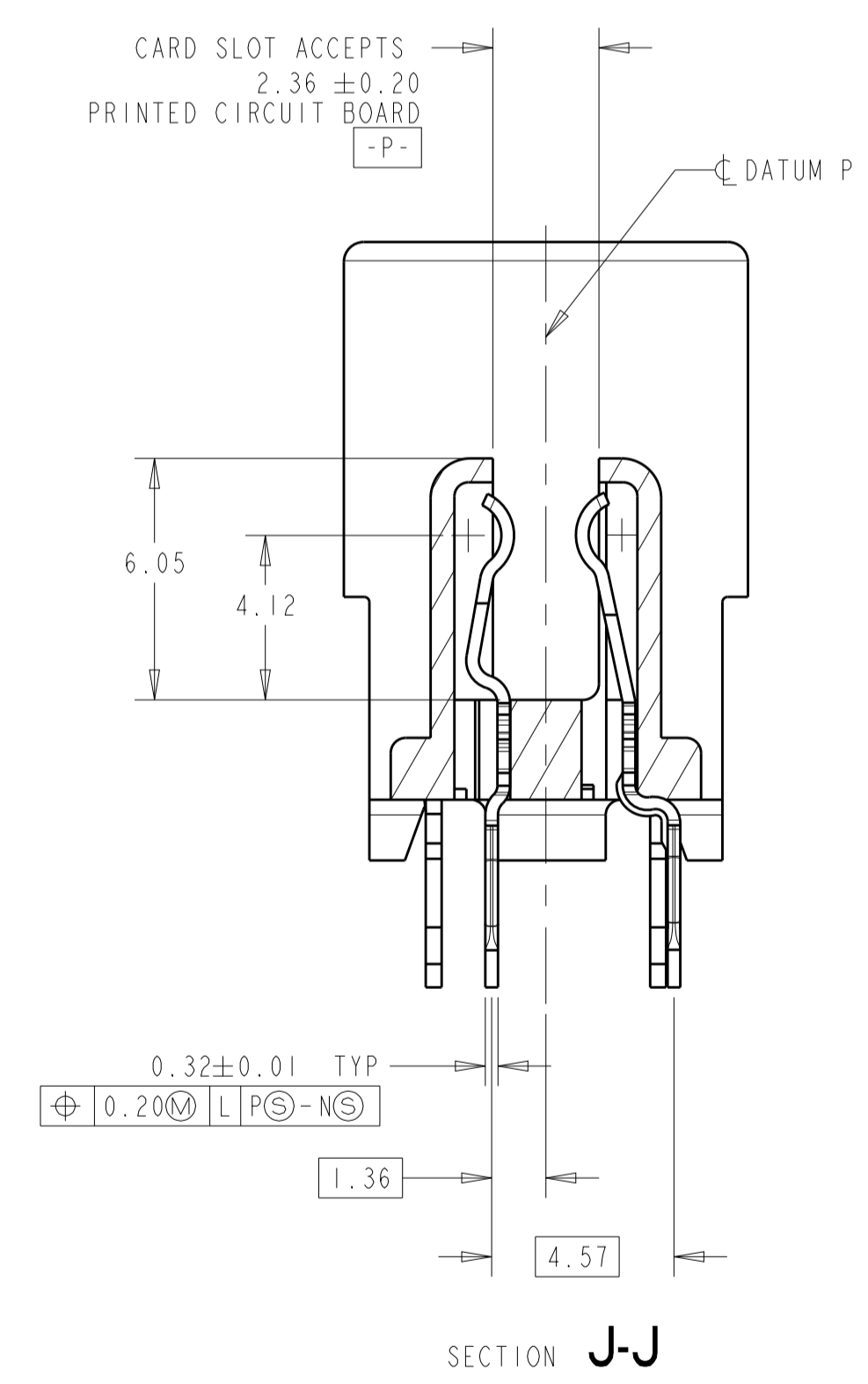
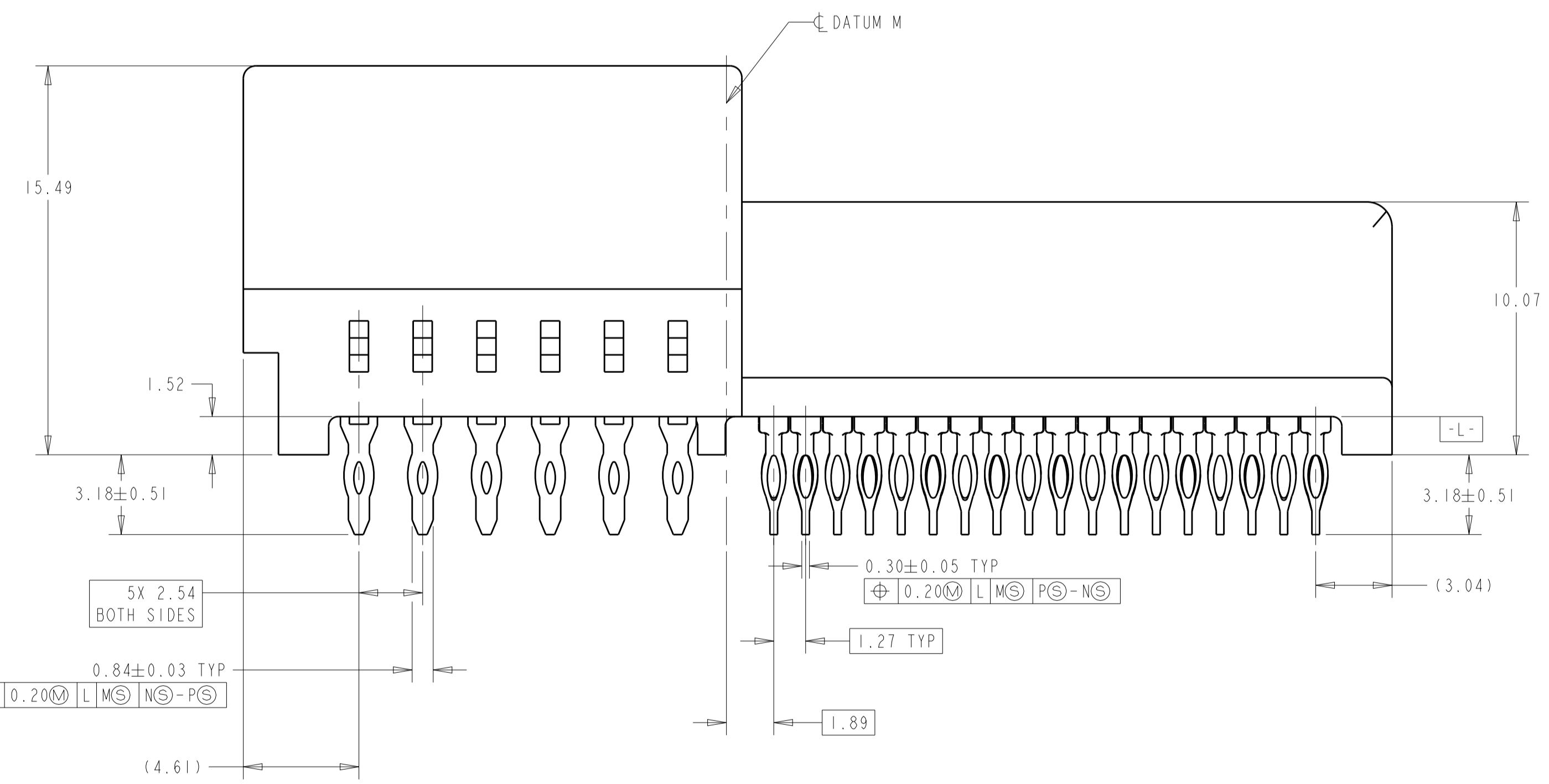
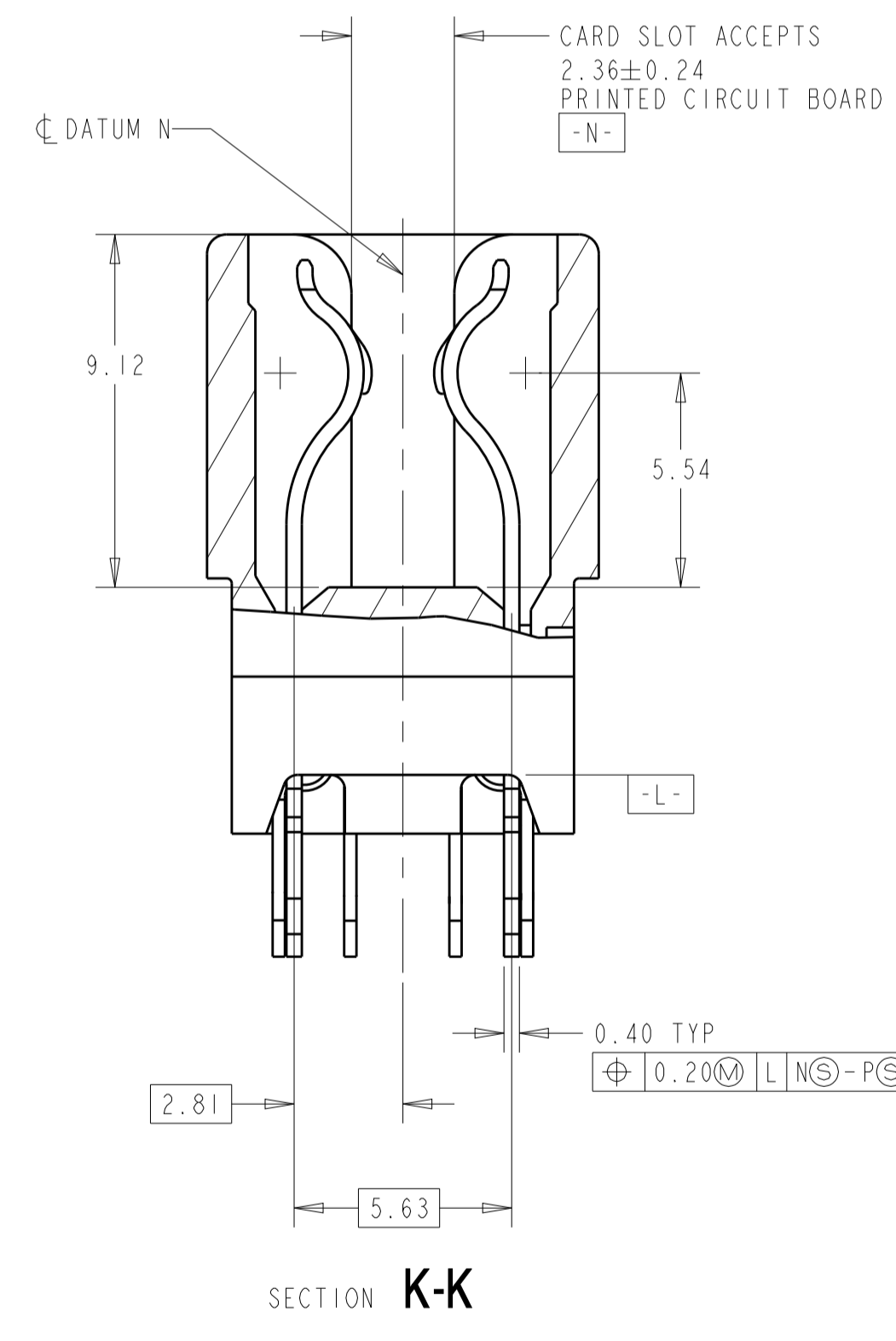
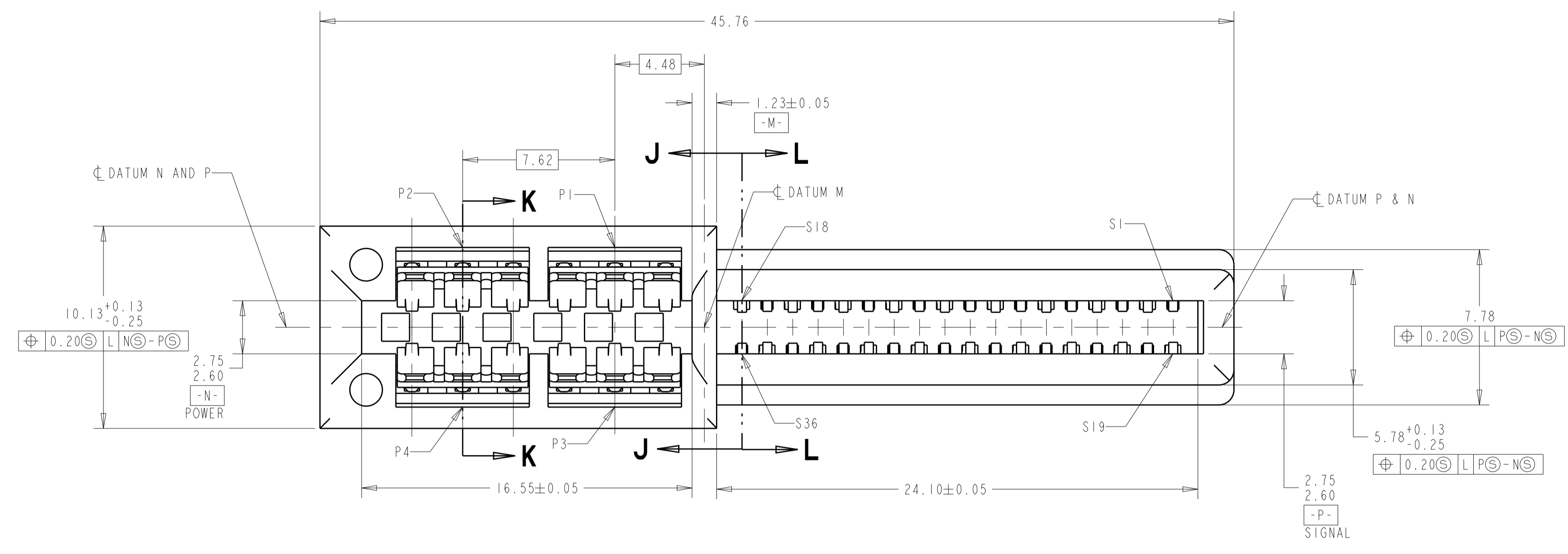


1. HOUSING: GLASS FILLED POLYESTER, COLOR - BLACK, UL94V-0 @ 1.50mm MIN. THICKNESS
 CONTACT: HIGH CONDUCTIVITY COPPER ALLOY
- (A1) 2. FINISH:
 CONTACTS - GOLD PLATE 0.76µm MIN THK IN MATING AREA
 OVER NICKEL 1.27µm MIN THK.
 SOLDER TAILS - MATTE TIN PLATE 1.27µm MIN THK.
 OVER NICKEL 1.27µm MIN THK.
- △3 DIMENSION SPECIFIED BY CUSTOMER
- △4 NO SHARP EDGES PERMITTED
5. FOR INSERTION INTO PCB USE TE PRESS FIT TOOL PART NUMBER 2063547-1
- △6 PRODUCT SPECIFICATION 108-1548 APPLIES TO 36 CHAMP .050 SERIES SIGNAL CONTACTS. PRODUCT SPECIFICATION 108-2202 APPLIES TO 4 SEC II POWER CONTACTS.
- △7 APPLICATION SPECIFICATION 114-6061 APPLIES TO CHAMP .050 SERIES SIGNAL CONTACTS. APPLICATION SPECIFICATION 114-13018 APPLIES TO 4 SEC II POWER CONTACTS.

2204061-2
 PART NO.

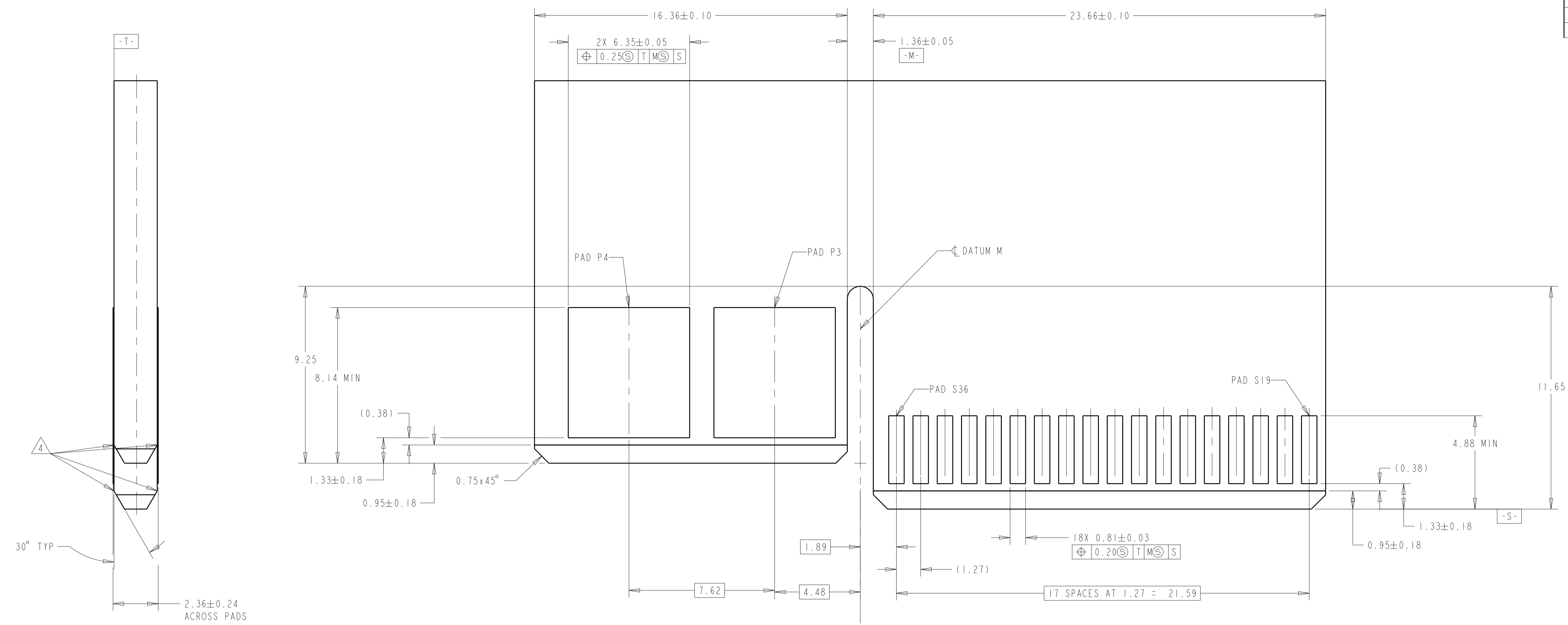
THIS DRAWING IS A CONTROLLED DOCUMENT.		DWN L.A.MAYER 28MAY2008	TE Connectivity	NAME CONNECTOR ASSEMBLY, SEC II POWER, 4 POWER AND 36 SIGNAL, PRESS FIT
DIMENSIONS:		CHK A.FRANZIUM 28MAY2008		
mm	TOLERANCES UNLESS OTHERWISE SPECIFIED:	APVD S.FLICKINGER 28MAY2008	PRODUCT SPEC	△6
0 PLC ±	1 PLC ±.13	APPLICATION SPEC	△7	SIZE CAGE CODE DRAWING NO
2 PLC ±	3 PLC ±	FINISH SEE NOTE 1	WEIGHT	A1 00779 C=2204061
4 PLC ±	ANGLES ±.1°	MATERIAL SEE NOTE 1	CUSTOMER DRAWING	RESTRICTED TO
			SCALE 3:1	SHEET 1 OF 3

LOC	DIST	REVISIONS			
P	LTN	DESCRIPTION	DATE	DMN	APVD
-	-	SEE SHEET 1	-	-	-

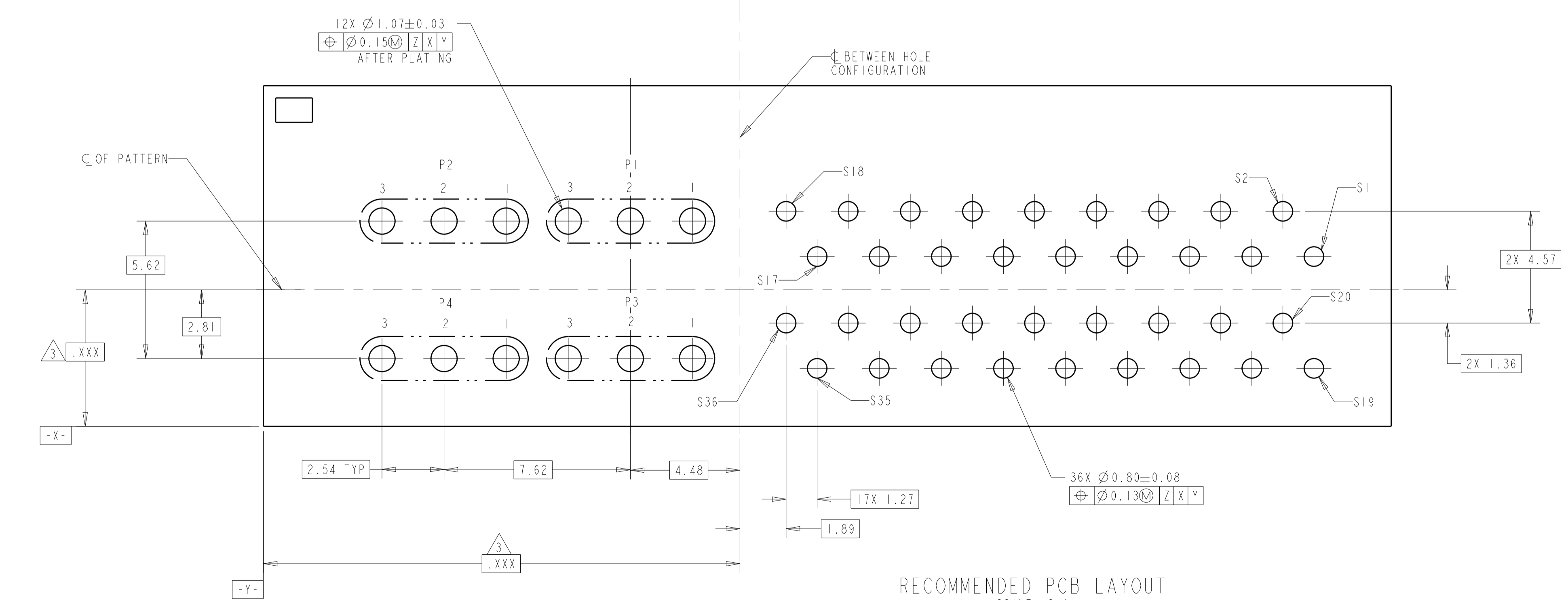


THIS DRAWING IS A CONTROLLED DOCUMENT.		DMN L.A.MAYER 28MAY2008	 TE Connectivity												
DIMENSIONS: mm		CHK A.FRANZIUM 28MAY2008													
TOLERANCES UNLESS OTHERWISE SPECIFIED:		APVD S.FLICKINGER 28MAY2008	NAME CONNECTOR ASSEMBLY, SEC II POWER, 4 POWER AND 36 SIGNAL, PRESS FIT												
<table border="1"> <tr><td>0 PLC</td><td>±</td></tr> <tr><td>1 PLC</td><td>±</td></tr> <tr><td>2 PLC</td><td>±0.13</td></tr> <tr><td>3 PLC</td><td>±</td></tr> <tr><td>4 PLC</td><td>±</td></tr> <tr><td>ANGLES</td><td>±1°</td></tr> </table>		0 PLC	±	1 PLC	±	2 PLC	±0.13	3 PLC	±	4 PLC	±	ANGLES	±1°	PRODUCT SPEC	SIZE A1
0 PLC	±														
1 PLC	±														
2 PLC	±0.13														
3 PLC	±														
4 PLC	±														
ANGLES	±1°														
MATERIAL SEE NOTE 1		APPLICATION SPEC	CAGE CODE 00779												
FINISH SEE NOTE 1		WEIGHT	DRAWING NO C=2204061												
		CUSTOMER DRAWING	SCALE 3:1												
			SHEET 2 OF 3												
			REV A1												

LOC		DIST		REVISIONS				
P	LTN	DESCRIPTION	DATE	DMN	APVD			
-	-	SEE SHEET 1	-	-	-			



RECOMMENDED DAUGHTER CARD CONFIGURATION
 SCALE 8:1



RECOMMENDED PCB LAYOUT
 SCALE 8:1

THIS DRAWING IS A CONTROLLED DOCUMENT.		DMN L.A.MAYER 28MAY2008	TE Connectivity
DIMENSIONS: mm		CHK A.FRANZIUM 28MAY2008	
TOLERANCES UNLESS OTHERWISE SPECIFIED:		APVD S.FLICKINGER 28MAY2008	NAME CONNECTOR ASSEMBLY, SEC II POWER, 4 POWER AND 36 SIGNAL, PRESS FIT
0 PLC ±		PRODUCT SPEC	
1 PLC ±0.13		APPLICATION SPEC	SIZE A1 CAGE CODE DRAWING NO 00779 ©=2204061
2 PLC ±		RESTRICTED TO	
3 PLC ±		WEIGHT	SCALE 4:1 SHEET 3 OF 3 REV A1
4 PLC ±		CUSTOMER DRAWING	
ANGLES ±1°			
MATERIAL SEE NOTE 1			
FINISH SEE NOTE 1			

X-ON Electronics

Largest Supplier of Electrical and Electronic Components

Click to view similar products for [Standard Card Edge Connectors](#) category:

Click to view products by [TE Connectivity](#) manufacturer:

Other Similar products are found below :

[CR7E-30DB-3.96E\(72\)](#) [6364499-1](#) [6565204-6](#) [PKC-156](#) [1437274-4](#) [147889-1](#) [1489165-4](#) [EBT15622B2X](#) [1-582587-1](#) [284-0102-12100](#)
[286-0052-12101A](#) [306022901000000](#) [307-012-502-202](#) [307-056-520-300](#) [2129318-1](#) [245-062-520-350](#) [287-0032-12101](#) [306-028-525-102](#)
[307-072-526-202](#) [345-060-559-303](#) [392-008-559-201](#) [534671-1](#) [341-240-317](#) [345-044-500-300](#) [346-240-318](#) [395-100-524-300](#) [09-07-2032](#)
[10035388-802LF](#) [10115859-011LF](#) [10122859-009LF](#) [10127905-B04B24BLF](#) [530555-1](#) [5-678046-1](#) [73726-0005](#) [66308-1](#) [1-1437275-6](#)
[PEC-07-02-T-S-A](#) [346-014-520-801](#) [307-048-502-202](#) [CE100F22-9-C](#) [CE100F26-7-C](#) [CE100F28-3-D](#) [CE156F18-9-C](#) [CE156F22-5-D](#)
[CE156F22-9-C](#) [CT100F22-2-D](#) [CT100F22-3-D](#) [CT100F24-2-D](#) [CT100F24-3-D](#) [CT100F24-6-C](#)