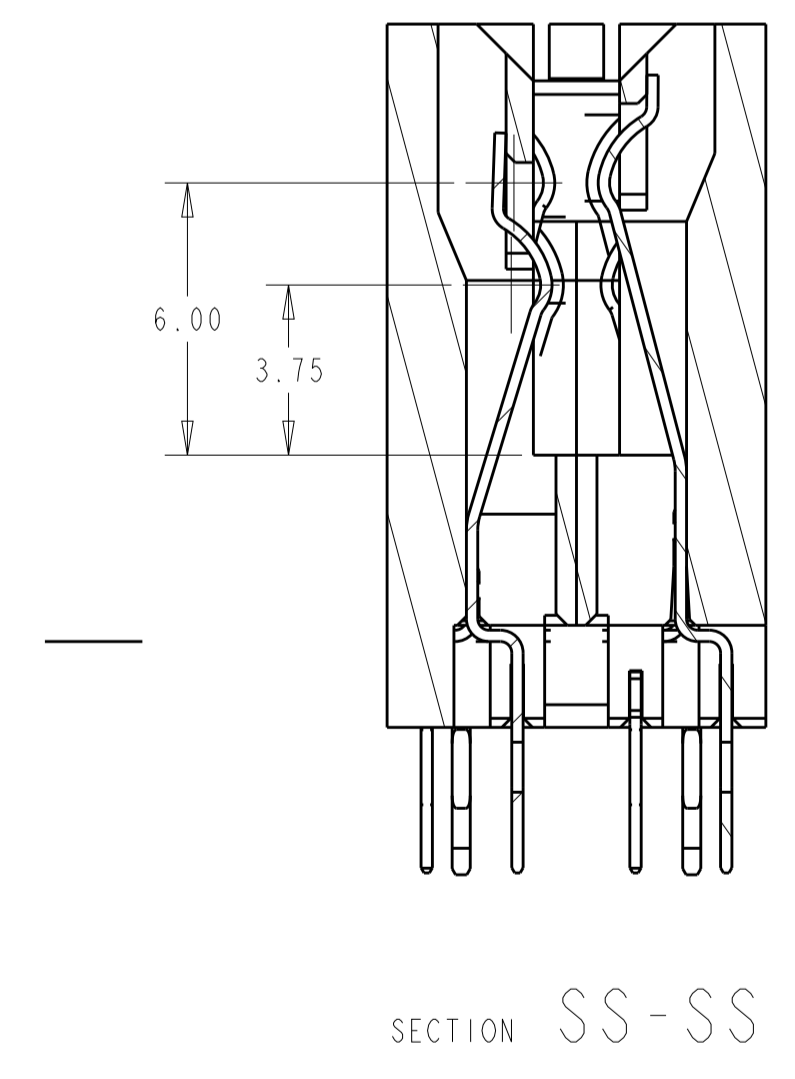
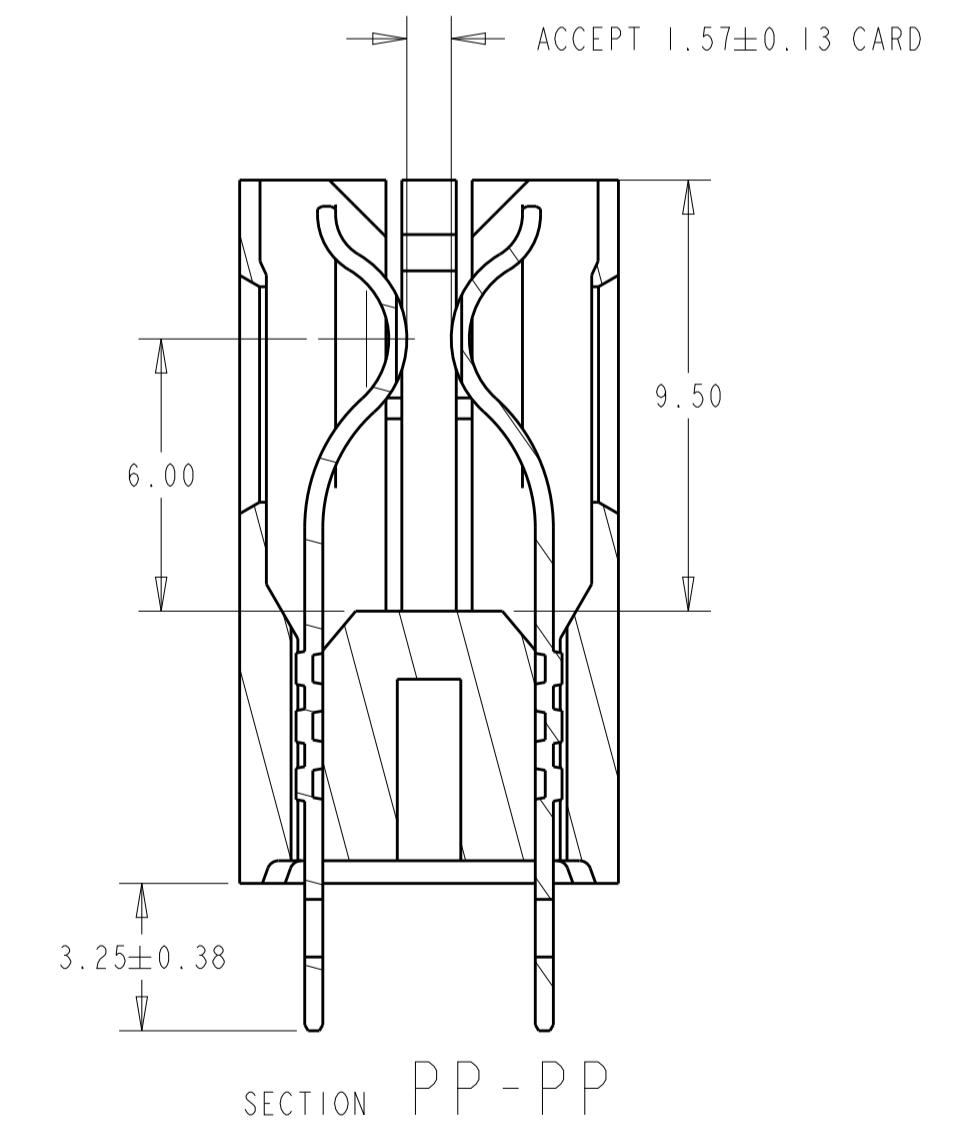
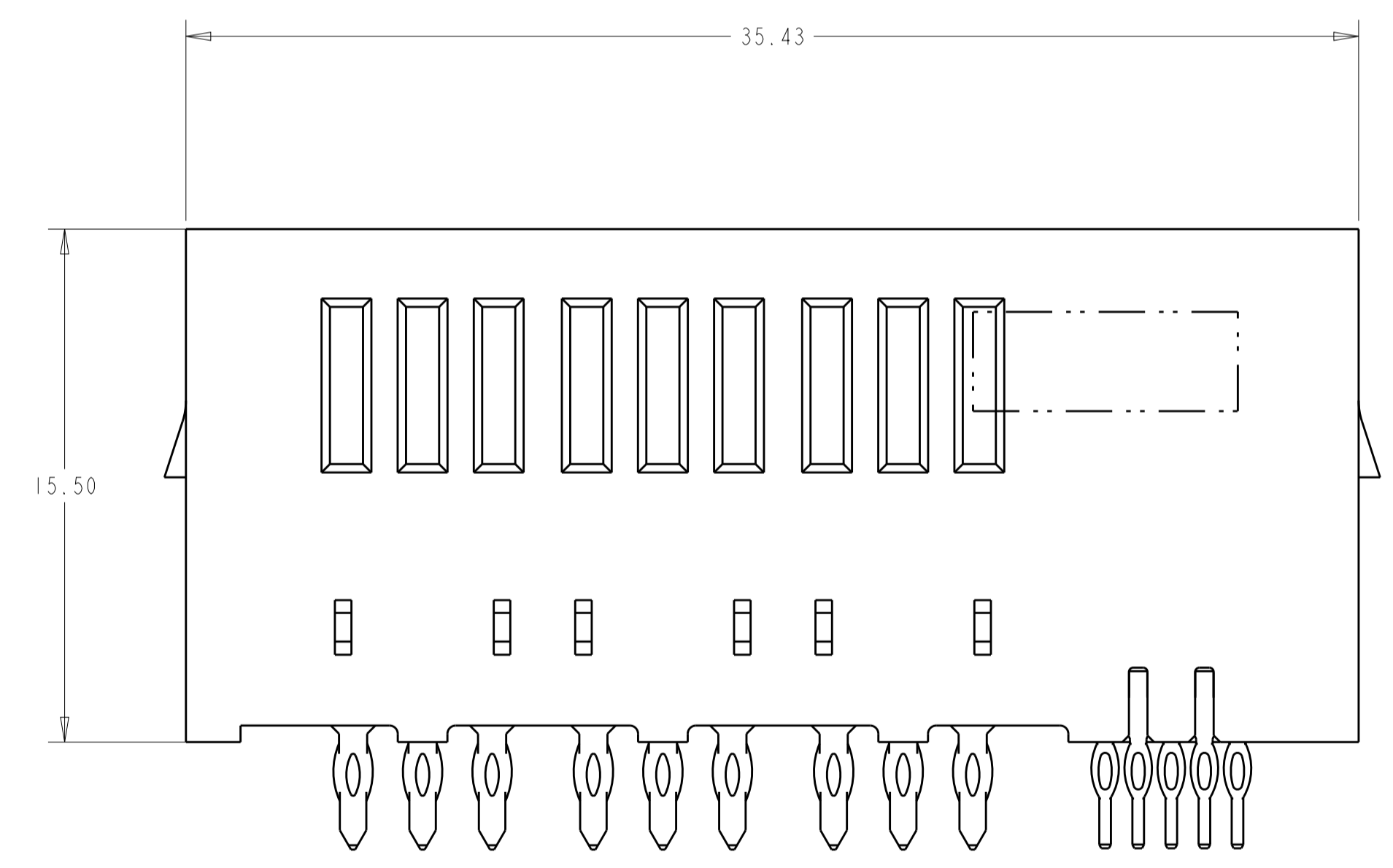
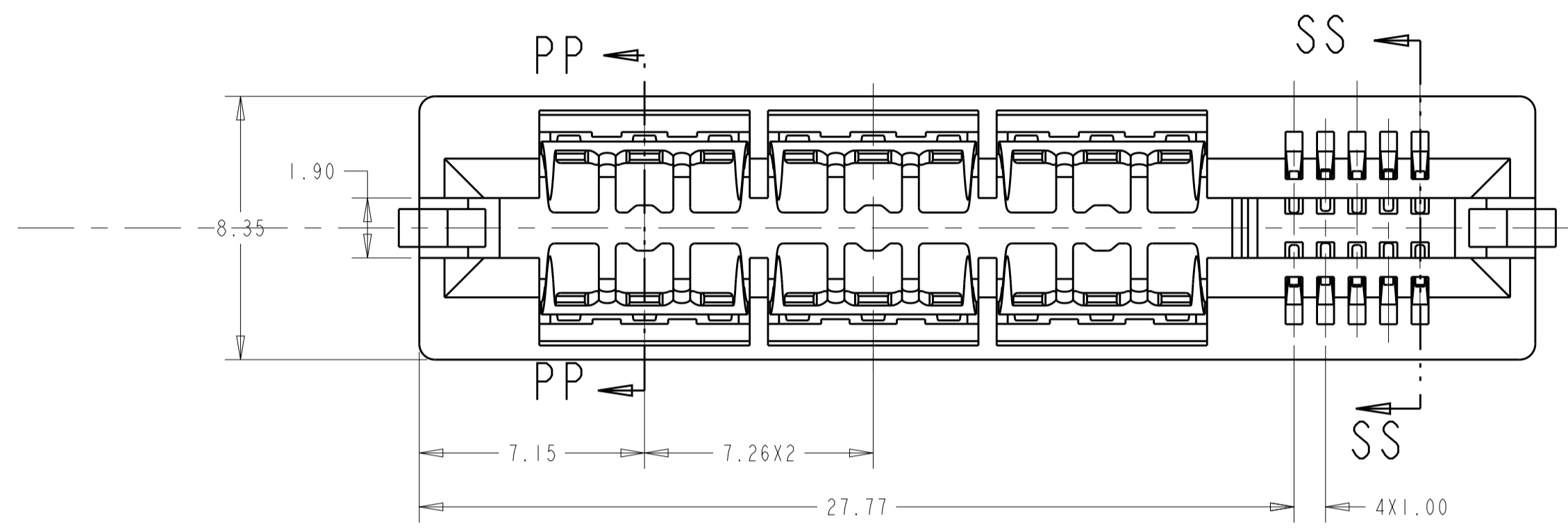


| REVISIONS |     |               |           |       |
|-----------|-----|---------------|-----------|-------|
| P.        | LTN | DESCRIPTION   | DATE      | APVD  |
| A         |     | FIRST RELEASE | 30AUG2016 | SZ SZ |
|           |     |               |           |       |
|           |     |               |           |       |

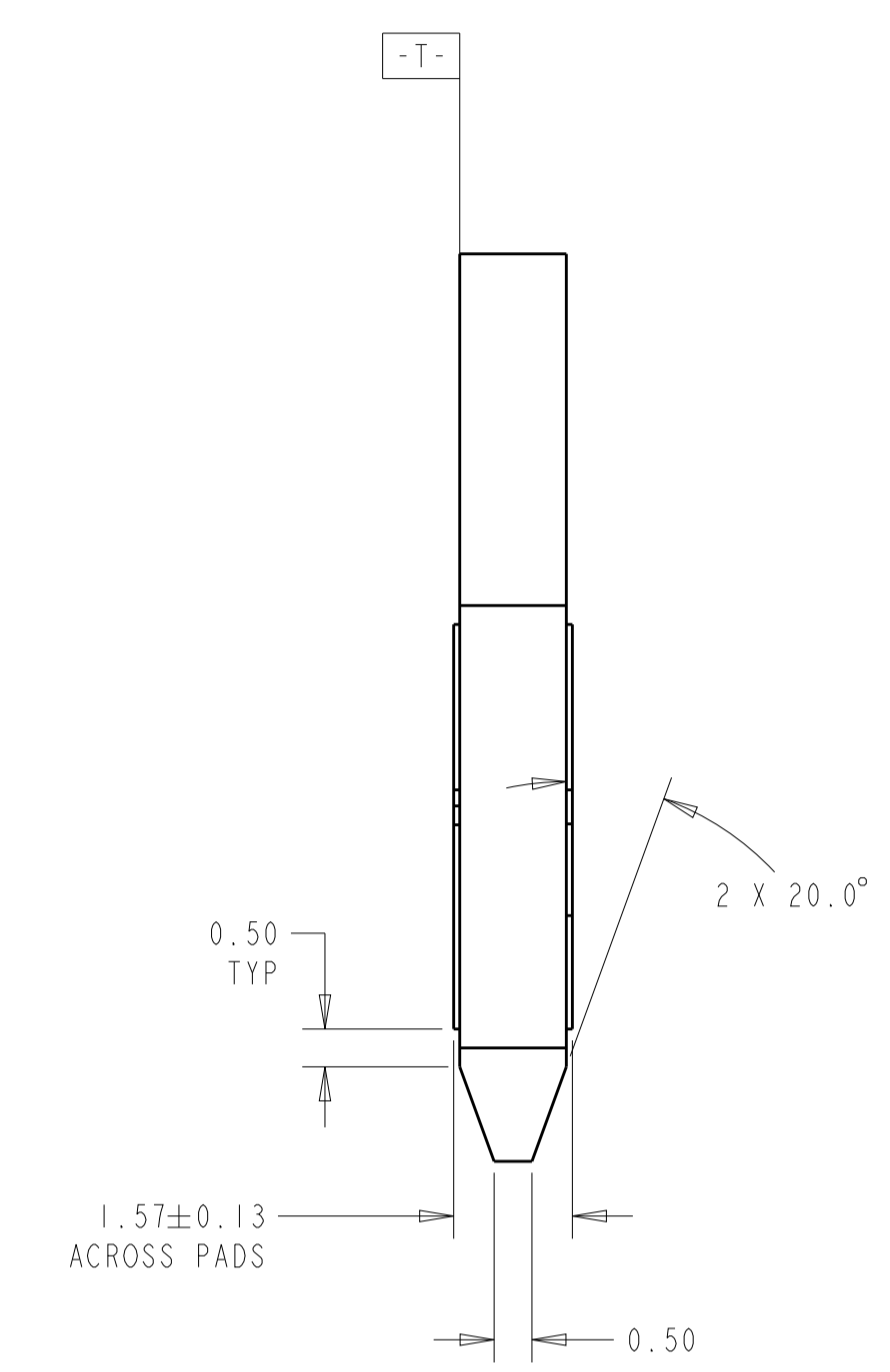
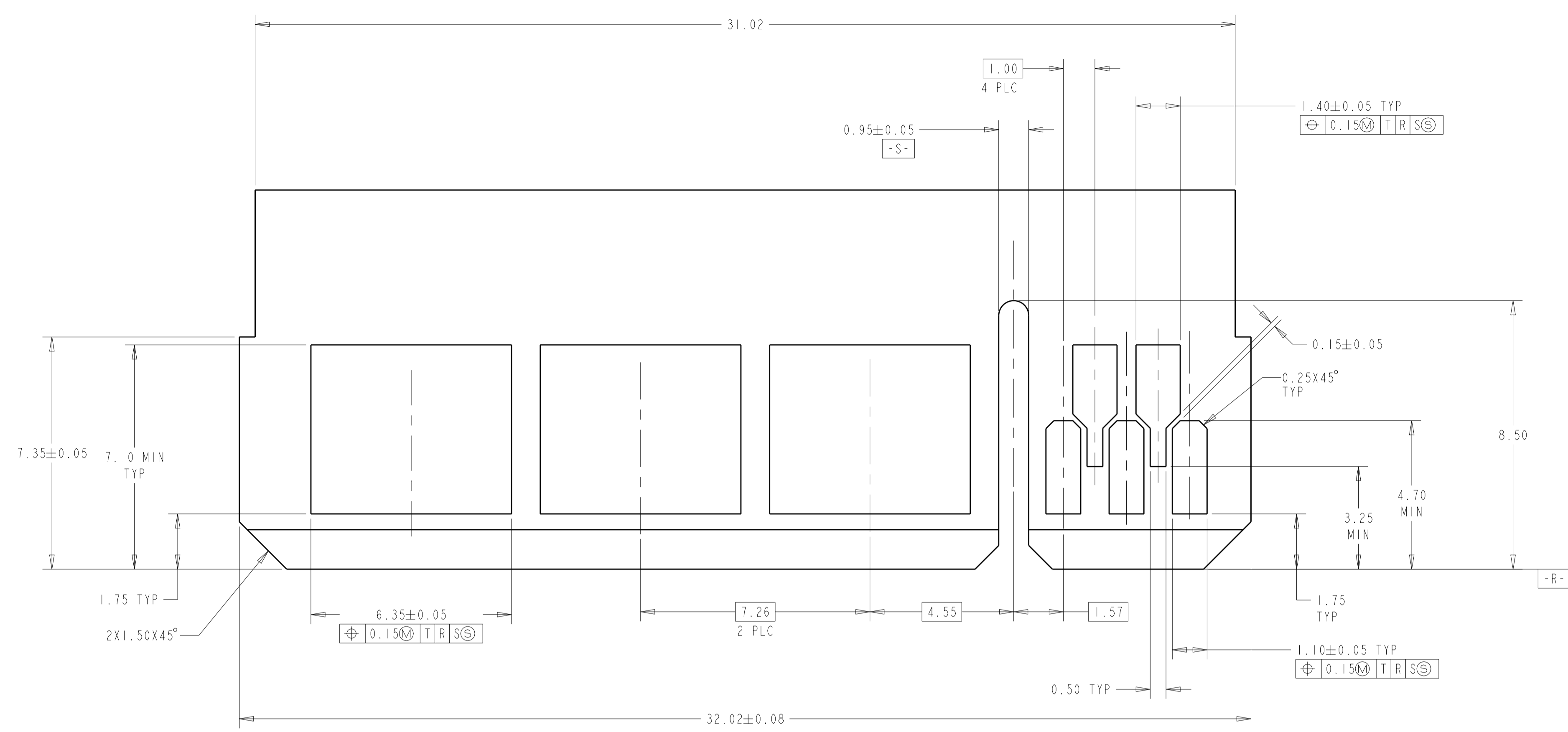
1. MATERIAL: HOUSING - THERMOPLASTIC, GLASS REINFORCED. COLOR: BLACK  
CONTACT - COPPER ALLOY
2. FINISH: CONTACT - GOLD PLATED OVER NICKEL.  
SOLDER TAILS - MATTE TIN OVER NICKEL
3. CONNECTOR ASSEMBLY MARKED WITH PART NUMBER AND DATE CODE IN THE APPROXIMATE AREA SHOWN
4. DATUMS AND BASIC DIMENSIONS TO BE ESTABLISHED BY CUSTOMER
5. MANUFACTURING TOLERANCE FOR 1.07mm DIAMETER FINISHED HOLE:  
 DRILLED HOLE =  $1.15 \pm 0.03$ mm  
 COPPER PLATE =  $0.050/0.025$ mm (MAX HARDNESS 150 KNOOP)  
 TIN/LEAD PLATE (HASL) =  $0.010/0.004$ mm
6. MANUFACTURING TOLERANCE FOR 0.70mm DIAMETER FINISHED HOLE:  
 DRILLED HOLE =  $0.78 \pm 0.03$ mm  
 COPPER PLATE =  $0.050/0.025$ mm (MAX HARDNESS 150 KNOOP)  
 TIN/LEAD PLATE (HASL) =  $0.010/0.004$ mm



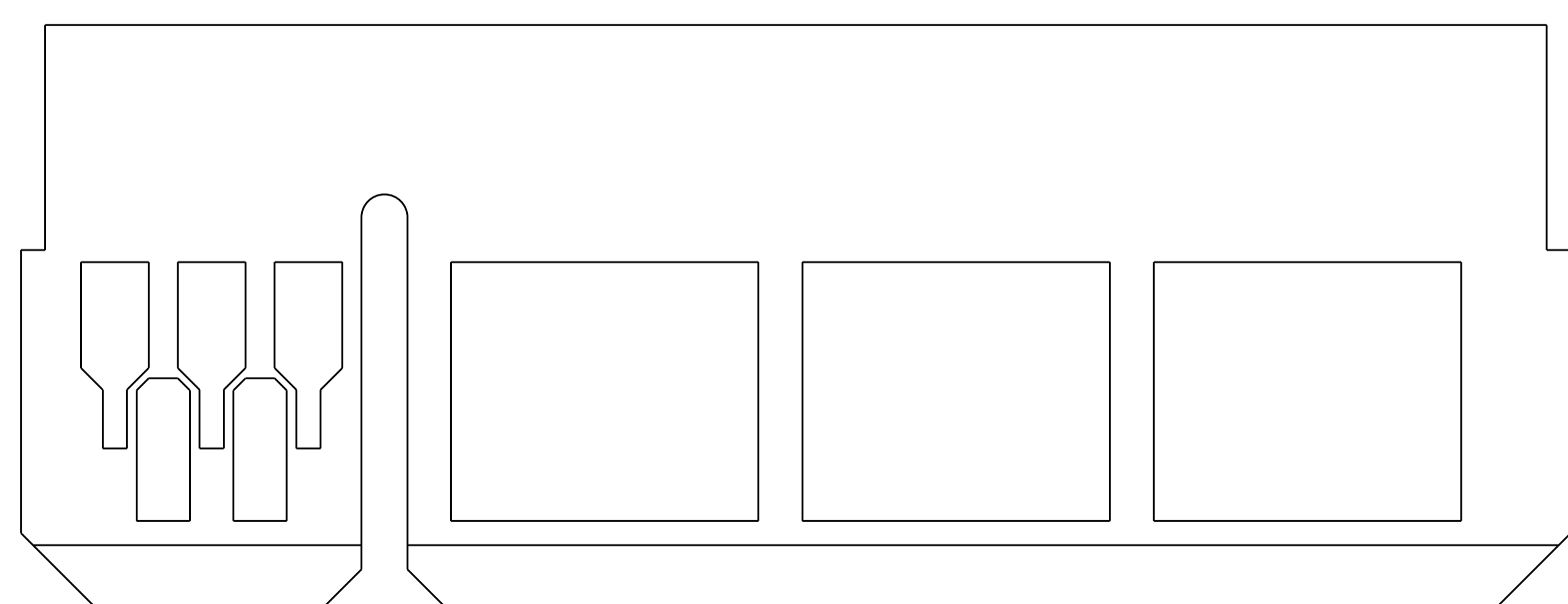
PART 2204072-1

|  |  |                             |   |
|--|--|-----------------------------|---|
| THIS DRAWING IS A CONTROLLED DOCUMENT.                                   |  | DWN L.A.WENSEL 05APR2012    | TE Connectivity   |
| DIMENSIONS: mm   |  | CHK D.DEFIRAUGH 05APR2012   |   |
| TOLERANCES UNLESS OTHERWISE SPECIFIED:                                   |  | APVD S.FLICKINGER 05APR2012 | NAME<br>CONNECTOR ASSEMBLY, MULTI-BEAM CE<br>POWER/SIGNAL, VERTICAL,<br>EYE OF THE NEEDLE |
| 0 PLC ±<br>1 PLC ±0.5<br>2 PLC ±0.25<br>3 PLC ±<br>4 PLC ±<br>ANGLES ±4° |  | PRODUCT SPEC                |   |
| MATERIAL SEE NOTE 1  |  | FINISH SEE NOTE 2           | APPLICATION SPEC  |
| CUSTOMER DRAWING   |  | SCALE 3:1                   | RESTRICTED TO   |
| SIZE A1  |  | CAGE CODE 00779             | DRAWING NO. 2204072   |
| SHEET 1 OF 3   |  | REV A                       |   |

| REVISIONS |     |             |      |      |
|-----------|-----|-------------|------|------|
| P.        | LTN | DESCRIPTION | DATE | APVD |
| -         | -   | SEE SHEET 1 | -    | -    |
|           |     |             |      |      |
|           |     |             |      |      |



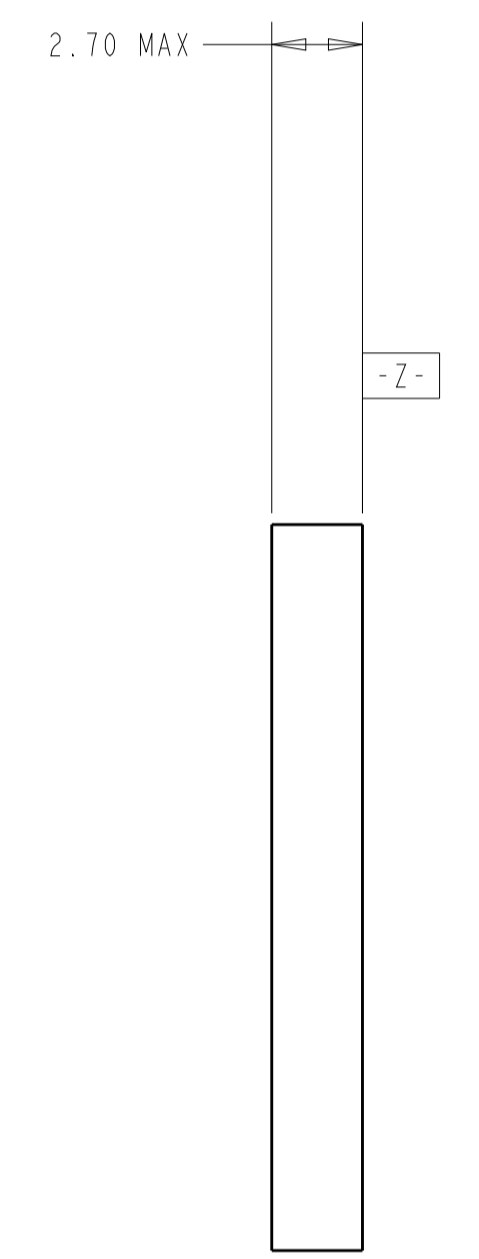
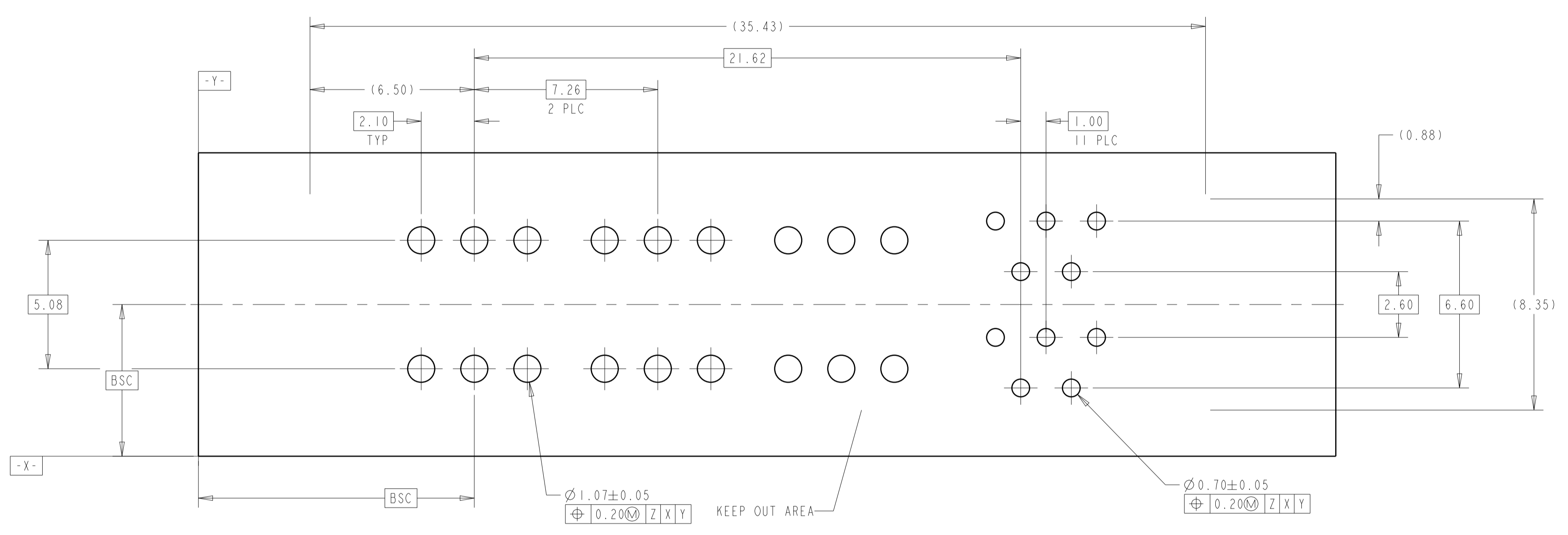
RECOMMENDED MATING CARD EDGE CONFIGURATION



RECOMMENDED MATING CARD EDGE CONFIGURATION  
 SECOND SIDE SHOW

|  |  |   |   |
|--|--|---|---|
| THIS DRAWING IS A CONTROLLED DOCUMENT.   |  | DWN L.A.WENSEL 05APR2012  | TE Connectivity<br>NAME CONNECTOR ASSEMBLY, MULTI-BEAM CE<br>POWER/SIGNAL, VERTICAL,<br>EYE OF THE NEEDLE<br>SIZE A1<br>CAGE CODE 00779<br>DRAWING NO. C=2204072<br>RESTRICTED TO - |
| DIMENSIONS: mm   |  | CHK D.DEFIRAUGH 05APR2012                                       |   |
| TOLERANCES UNLESS OTHERWISE SPECIFIED:<br>0 PLC ±<br>1 PLC ±0.3<br>2 PLC ±0.13<br>3 PLC ±<br>4 PLC ±<br>ANGLES ±4° |  | APVD S.FLICKINGER 05APR2012<br>PRODUCT SPEC<br>APPLICATION SPEC |   |
| MATERIAL SEE NOTE 1  |  | FINISH SEE NOTE 2   |   |
| WEIGHT   |  | CUSTOMER DRAWING  | SCALE 4:1 SHEET 2 OF 3 REV A  |

| REVISIONS |     |             |      |          |
|-----------|-----|-------------|------|----------|
| P.        | LTN | DESCRIPTION | DATE | OWN APVD |
| -         | -   | SEE SHEET 1 | -    | -        |
|           |     |             |      |          |
|           |     |             |      |          |



RECOMMEND FOOTPRINT

|  |  |                              |                  |
|--|--|------------------------------|------------------|
| THIS DRAWING IS A CONTROLLED DOCUMENT.   |  | DWN L.A. WENSEL 05APR2012    | TE Connectivity  |
| DIMENSIONS: mm   |  | CHK D. DEFILBAUGH 05APR2012  |                  |
| TOLERANCES UNLESS OTHERWISE SPECIFIED:<br>0 PLC ±<br>1 PLC ±0.3<br>2 PLC ±0.13<br>3 PLC ±<br>4 PLC ±<br>ANGLES ±6° |  | APVD S. FLICKINGER 05APR2012 | NAME             |
| MATERIAL SEE NOTE 1  |  | FINISH SEE NOTE 2            | PRODUCT SPEC     |
| CUSTOMER DRAWING   |  | WEIGHT                       | APPLICATION SPEC |
| SCALE 4:1  |  | SHEET 3 OF 3                 | RESTRICTED TO    |
| DRAWING NO. 00779  |  | CAGE CODE C=2204072          | REV A            |

## X-ON Electronics

Largest Supplier of Electrical and Electronic Components

*Click to view similar products for [Power to the Board](#) category:*

*Click to view products by [TE Connectivity](#) manufacturer:*

Other Similar products are found below :

[6450171-4](#) [6450552-7](#) [6600323-8](#) [6643429-1](#) [6646040-2](#) [6651939-1](#) [6766604-1](#) [120959-1](#) [1393557-2](#) [1393532-2](#) [1393532-3](#) [1393532-4](#)  
[1393557-1](#) [1600812-5](#) [1-6450861-2](#) [1744132-7](#) [1761122-1](#) [1766250-1](#) [1892109-1](#) [2-6450860-5](#) [2-6450870-0](#) [1-6450161-4](#) [1-6450850-6](#) [1-](#)  
[6450869-6](#) [1645526-2](#) [1-6600130-0](#) [2005243-2](#) [377-0020-11130](#) [TE34-12-16P-F0](#) [51700-10201602AALF](#) [5-6450830-6](#) [5646956-4](#) [377-](#)  
[0080-11131A](#) [4-6450830-9](#) [4-6600333-3](#) [10125416-4050LF](#) [10130248-005LF](#) [6600320-3](#) [3-6450860-5](#) [1888123-2](#) [6450166-1](#) [6643978-1](#)  
[6766605-1](#) [701-15-02109](#) [N11444](#) [6651938-1](#) [6450810-7](#) [46437-1112](#) [1-1589677-8](#) [5646956-5](#)