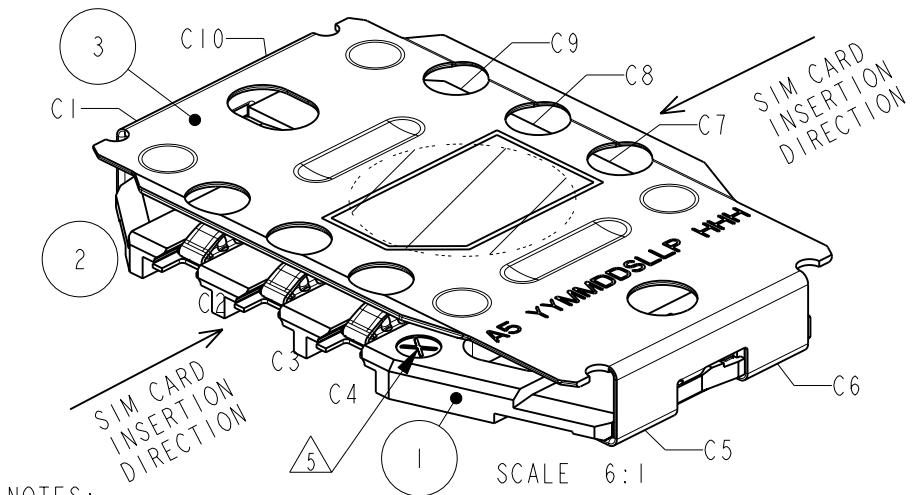
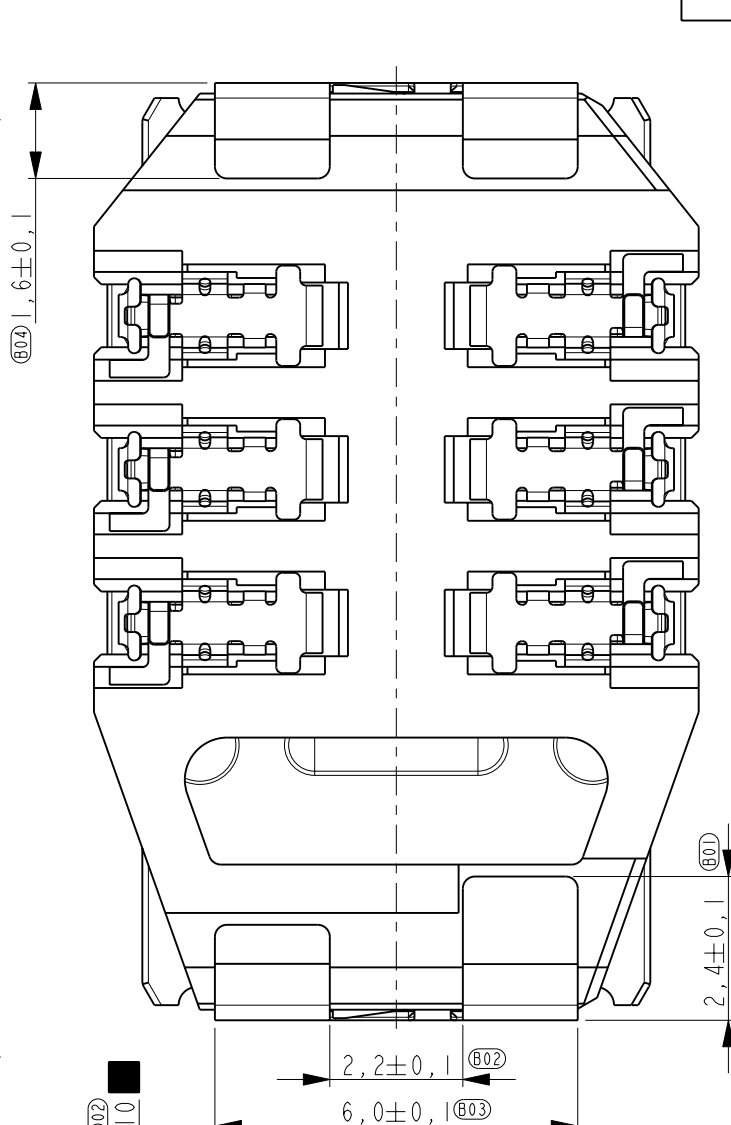
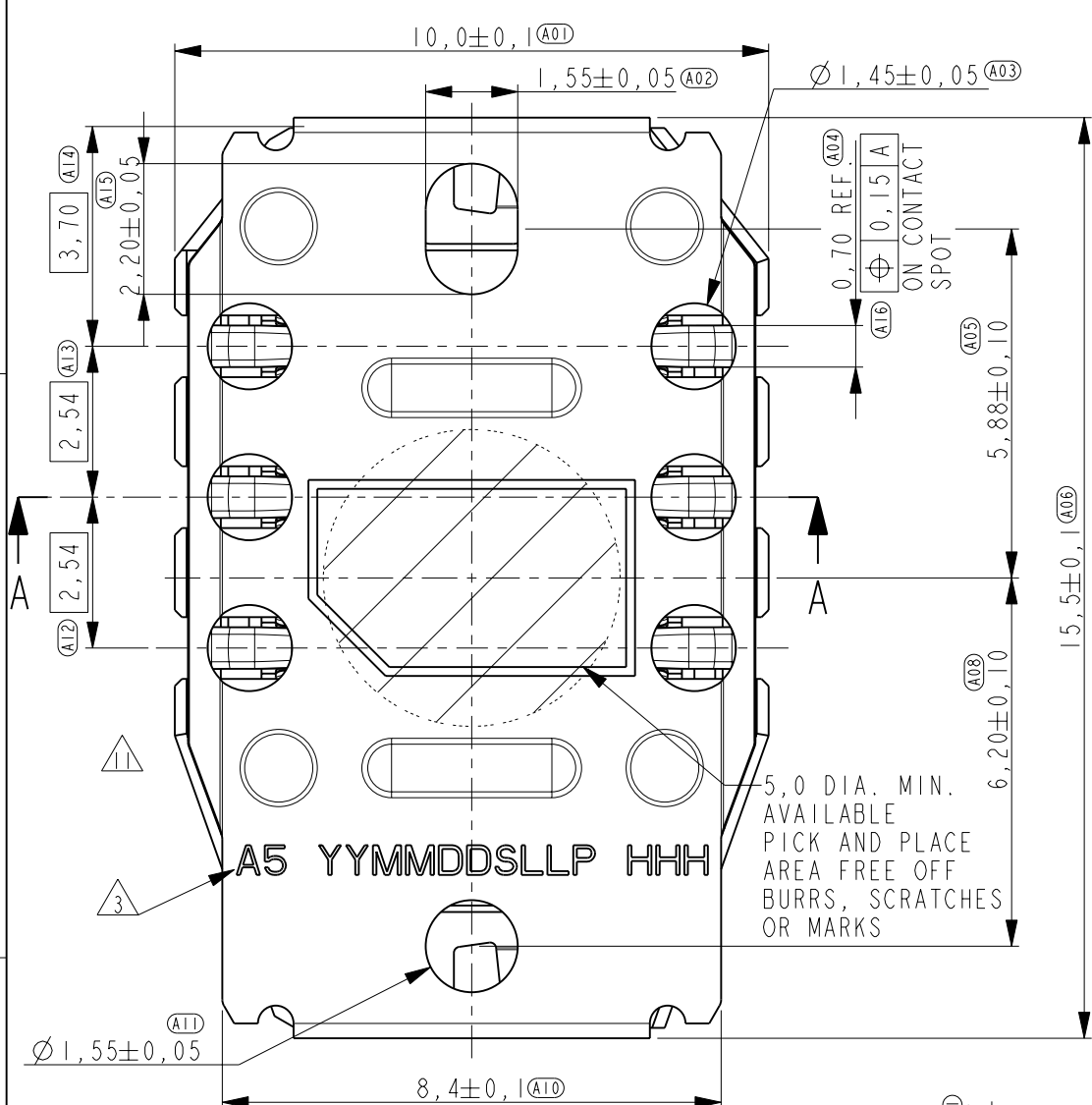
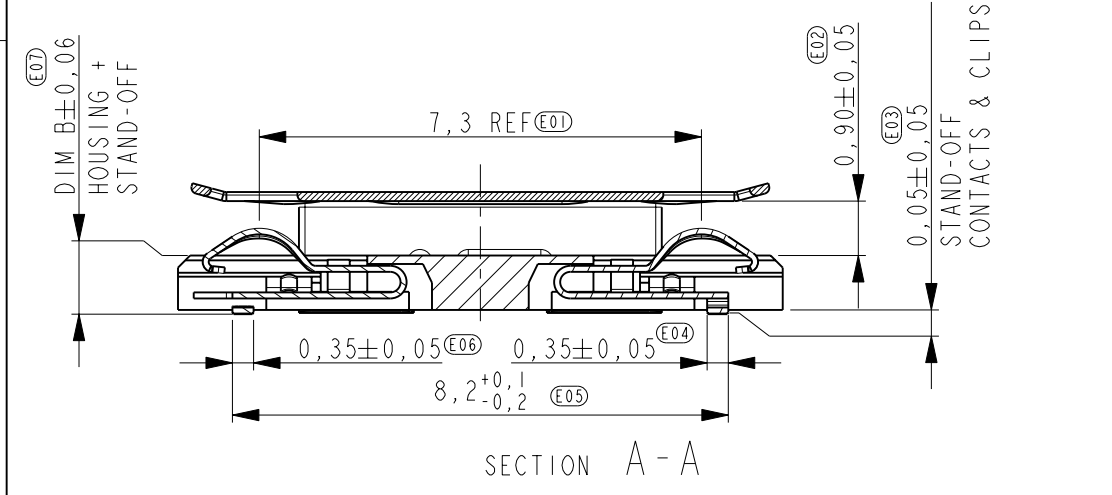
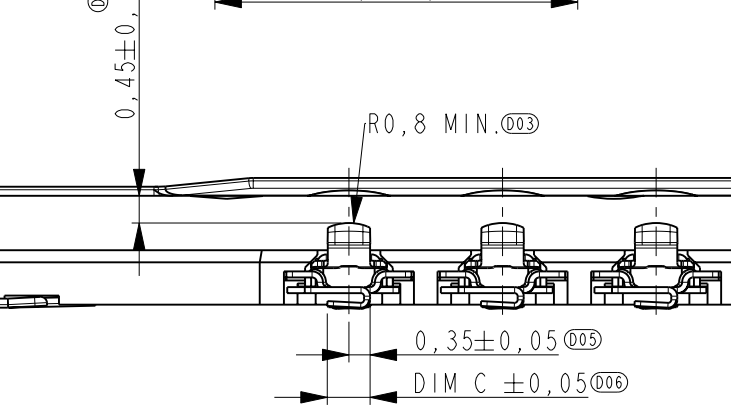
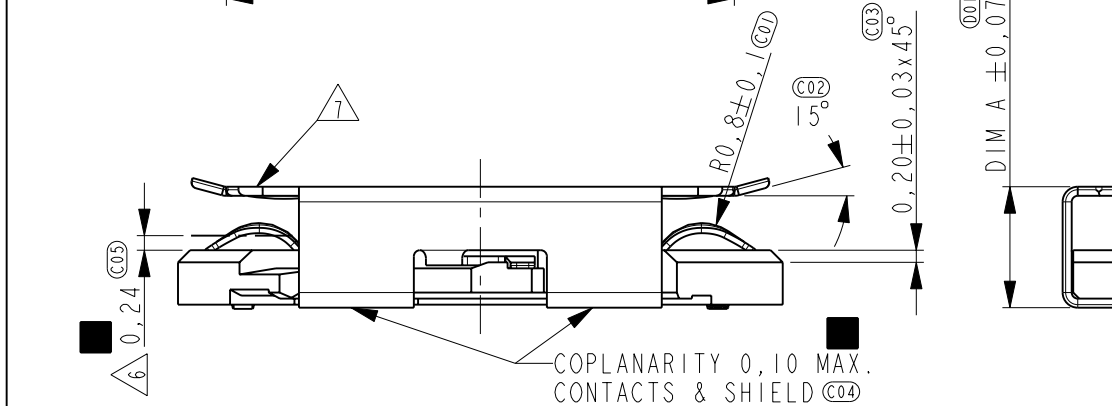


THIS DRAWING IS UNPUBLISHED. RELEASED FOR PUBLICATION
 © COPYRIGHT - BY TYCO ELECTRONICS CORPORATION. ALL RIGHTS RESERVED.

LOC	DIST	REVISIONS			
P	LTR	DESCRIPTION	DATE	DWN	APVD
H	-	C	ECR-10-009766	07MAY2010	JvH DH



- NOTES:
- CONTACT PLATING:
 1,2µm MIN. NICKEL UNDERLAYER.
 CARD SIDE: 0,1µm MIN. GOLD OVER 0,3µm MIN. PdNi
 SOLDER SIDE 3,0µm MIN. Sn
 - SHIELD PLATING:
 1,2µm MIN. NICKEL UNDERLAYER.
 SOLDER SIDE: 3,0µm MIN. Sn (AT BOTTOM AND SIDE)
 - VERSION: "A5", PRODUCTION DATE: YMMDD, SHIFT CODE: S,
 PRODUCTION LINE NO: LL, LOCATION CODE: P (S=SHANGHAI,
 B=BANGALORE), HEIGHT CODE: HHH.
 - FOR PCB LAYOUT SEE SHEET 3.
 - MOULD CAVITY MARKING
 - CONTACT FORCE 0,2N MIN. WHEN COMPRESSED TO THIS HEIGHT
 CONTACT FORCE 0,9N MAX. AT MAX. DEFLECTION
 - STAMPING DIRECTION
 - BURR DIRECTION, CHAMFERED EDGE AT SOLDER SIDE AND SIM
 CARD INSERTION.
 - CONTACTS LUBRICATED WITH BARRIER LUBRICANT COATING.
 - = CRITICAL DIMENSION WHICH EFFECTS FORM FIT & FUNCTION
 - △ SIM CARD LOGO LASERMARKED.



ITEM NO.	DESCRIPTION	MATERIAL	FINISH
3	SHIELD	STAINLESS STEEL, t=0,15mm	SEE NOTES
2	CONTACT	CuSn6, t=0,10mm	SEE NOTES
1	HOUSING	GF LIQUID CRYSTAL POLYMER	COLOUR BLACK

THIS DRAWING IS A CONTROLLED DOCUMENT FOR TYCO ELECTRONICS CORPORATION
 IT IS SUBJECT TO CHANGE AND THE CONTROLLING ENGINEERING ORGANIZATION
 SHOULD BE CONTACTED FOR THE LATEST REVISION.

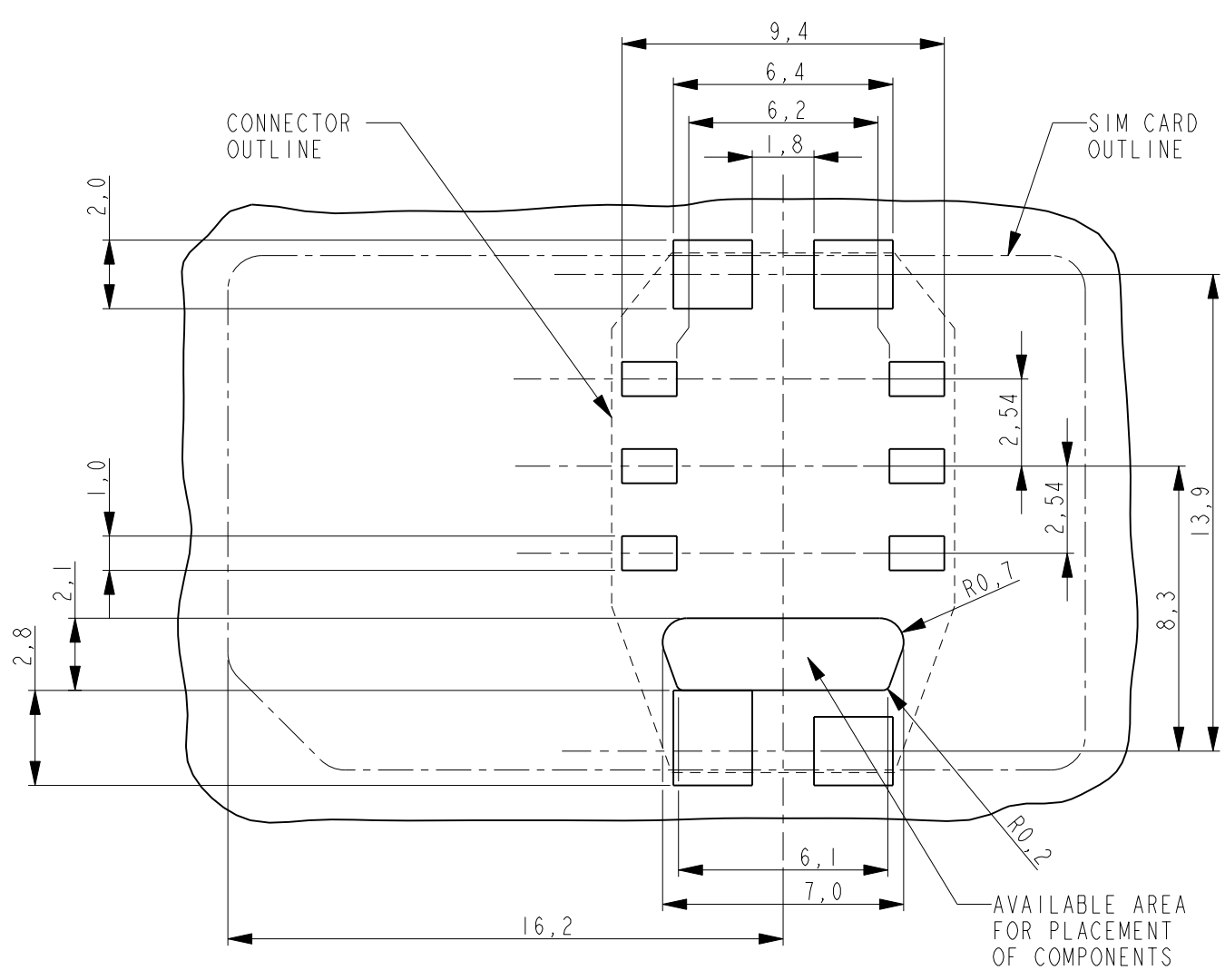
DIMENSIONS:	TOLERANCES UNLESS OTHERWISE SPECIFIED:
mm	0 PLC ±
	1 PLC ±0,2
	2 PLC ±0,1
	3 PLC ±
	4 PLC ±
	ANGLES ±2°
MATERIAL	FINISH
see notes	see notes

DWN	26JUN2008
W. Jansen	
CHK	26JUN2008
W. Jansen	
APVD	26JUN2008
D. Halberstadt	
PRODUCT SPEC	108-19368
APPLICATION SPEC	-
WEIGHT	see table.[gram]

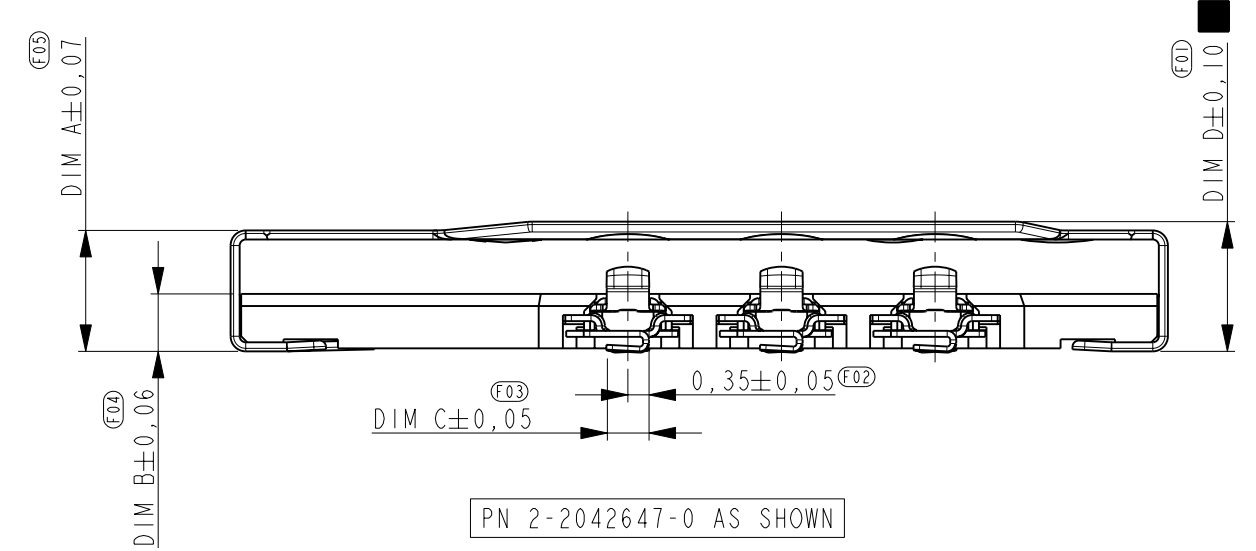
		TYCO ELECTRONICS NEDERLAND B.V. 's-HERTOGENBOSCH, THE NETHERLANDS	
NAME SCALABLE SHIELDED SIM 6 positions			
SIZE	CAGE CODE	DRAWING NO	RESTRICTED TO
A3	00779	C-2042647	-
CUSTOMER DRAWING		SCALE	SHEET
		8:1	1 OF 3
			REV C

THIS DRAWING IS UNPUBLISHED. RELEASED FOR PUBLICATION
 © COPYRIGHT - BY TYCO ELECTRONICS CORPORATION. ALL RIGHTS RESERVED.

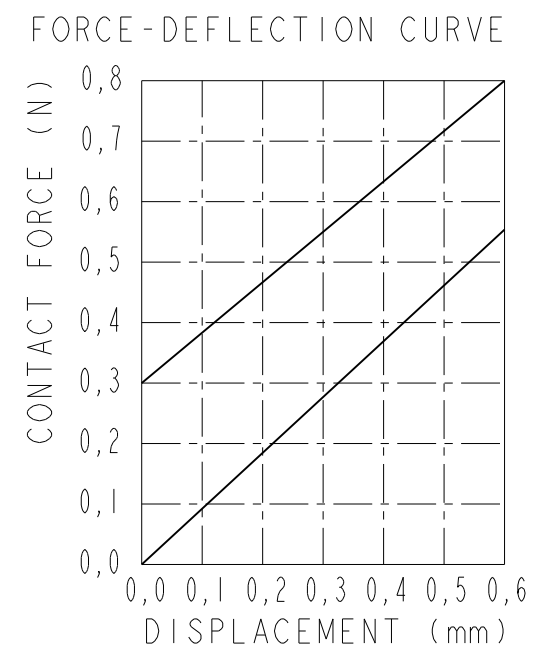
LOC	DIST	REVISIONS					
H	-	P	LTR	DESCRIPTION	DATE	DWN	APVD
				SEE SHEET 1			



RECOMMENDED PCB LAYOUT (REF.)
SCALE 5:1



PN 2-2042647-0 AS SHOWN



PARTNUMBER	WEIGHT	DIM A	DIM B	DIM C	DIM D
2-2042647-5		2,50	1,45	0,51	2,65
2-2042647-4		2,40	1,35	0,61	2,55
2-2042647-3		2,30	1,25	0,71	2,45
2-2042647-2		2,20	1,15	0,51	2,35
2-2042647-1		2,10	1,05	0,61	2,25
2-2042647-0	0,36	2,00	0,95	0,71	2,15

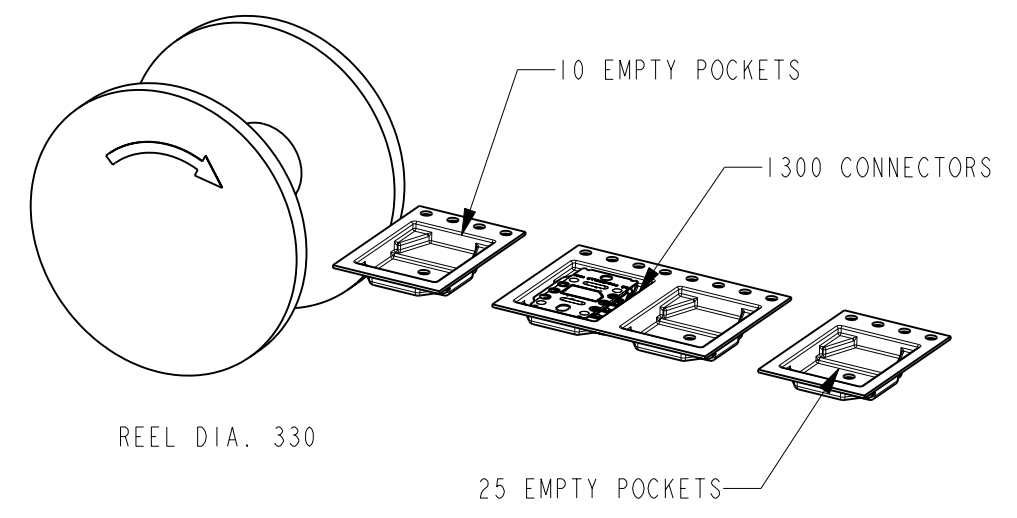
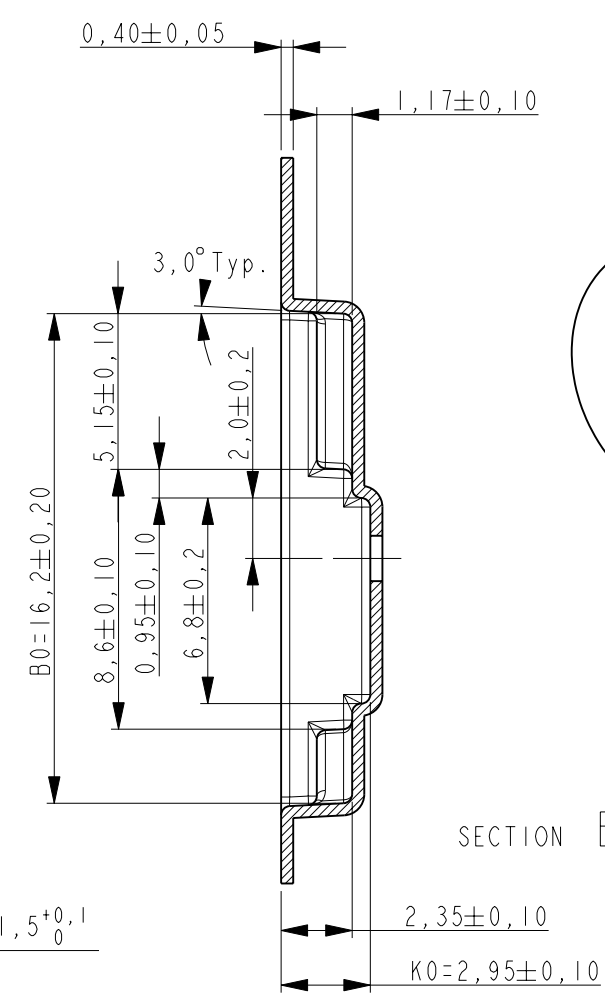
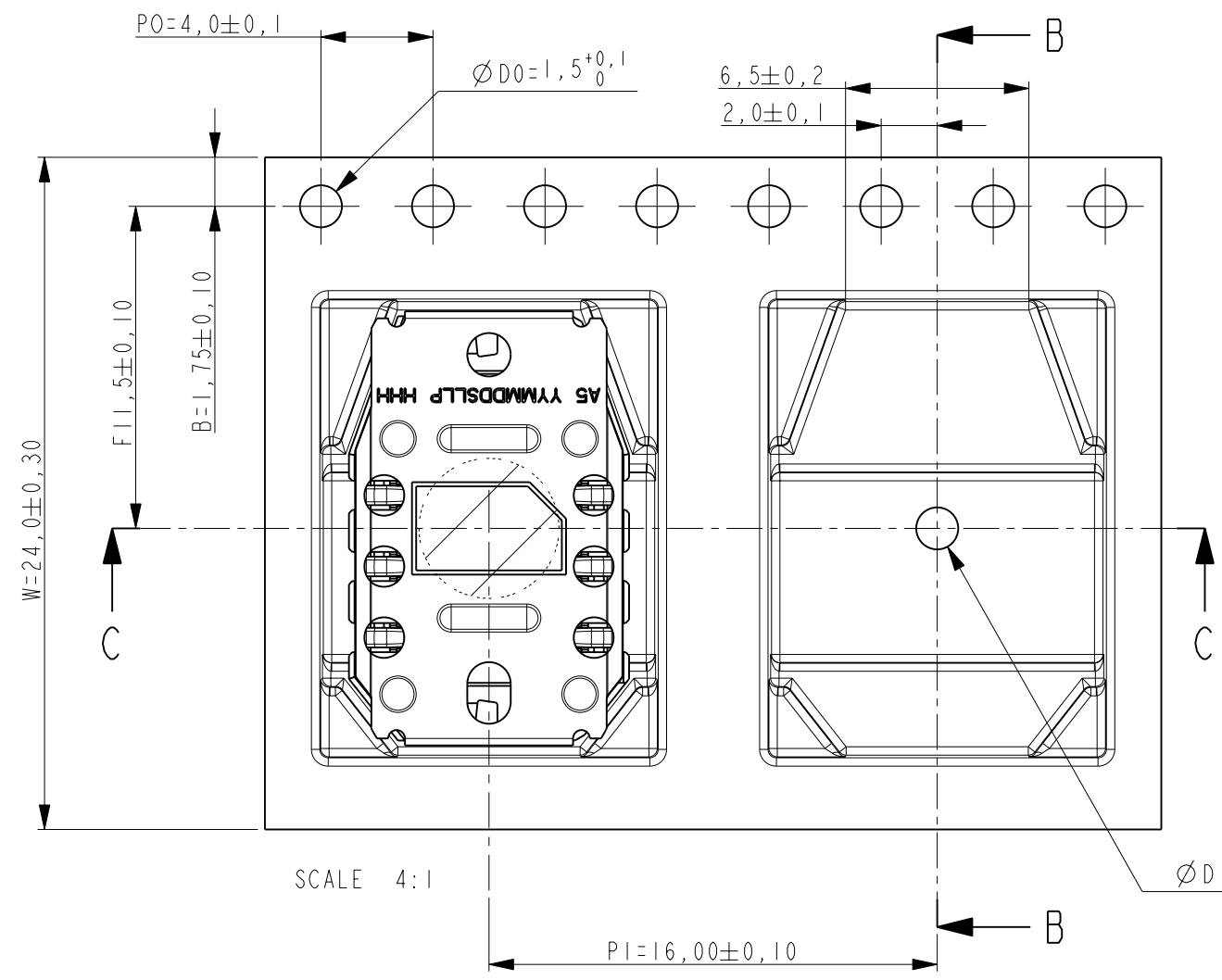
THIS DRAWING IS A CONTROLLED DOCUMENT FOR TYCO ELECTRONICS CORPORATION. IT IS SUBJECT TO CHANGE AND THE CONTROLLING ENGINEERING ORGANIZATION SHOULD BE CONTACTED FOR THE LATEST REVISION.

DIMENSIONS: mm	TOLERANCES UNLESS OTHERWISE SPECIFIED: 0 PLC ± 1 PLC ±0,2 2 PLC ±0,1 3 PLC ± 4 PLC ± ANGLES ±2°	DWN W. Jansen 26JUN2008 CHK W. Jansen 26JUN2008 APVD D. Halberstadt 26JUN2008	TYCO ELECTRONICS NEDERLAND B.V. 's-HERTOGENBOSCH, THE NETHERLANDS	
MATERIAL see notes	FINISH see notes	PRODUCT SPEC -	NAME SCALABLE SHIELDED SIM 6 positions	
		APPLICATION SPEC -	SIZE A3	CAGE CODE 00779
		WEIGHT . [gram]	DRAWING NO C-2042647	RESTRICTED TO -
CUSTOMER DRAWING		SCALE 8:1	SHEET 2 OF 3	REV C

THIS DRAWING IS UNPUBLISHED. RELEASED FOR PUBLICATION
 © COPYRIGHT - BY TYCO ELECTRONICS CORPORATION. ALL RIGHTS RESERVED.

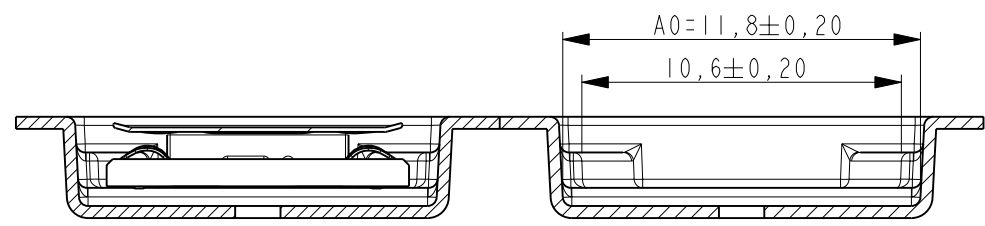
LOC	DIST	REVISIONS					
H	-	P	LTR	DESCRIPTION	DATE	DWN	APVD
			-	SEE SHEET 1			

USER DIRECTION OF UNREELING



SCALE 4:1

EIA TAPE FOR PN 2-2042647-0



SECTION C-C

NOTES:
 ANTI-STATIC COVER, EMBOSS TAPE AND REEL ACCORDING EIA STANDARD 481-B
 ELECTROSTATIC REQUIREMENTS:
 -SURFACE RESISTANCE: 1MΩ/SQUARE < R_s < 10GΩ/SQUARE

THIS DRAWING IS A CONTROLLED DOCUMENT FOR TYCO ELECTRONICS CORPORATION IT IS SUBJECT TO CHANGE AND THE CONTROLLING ENGINEERING ORGANIZATION SHOULD BE CONTACTED FOR THE LATEST REVISION.		DWN W. Jansen 26JUN2008	Tyco Electronics TYCO ELECTRONICS NEDERLAND B.V. 's-HERTOGENBOSCH, THE NETHERLANDS	
DIMENSIONS: mm		CHK W. Jansen 26JUN2008	NAME SCALABLE SHIELDED SIM 6 positions	
TOLERANCES UNLESS OTHERWISE SPECIFIED: 0 PLC ± 1 PLC ±0,2 2 PLC ±0,1 3 PLC ± 4 PLC ± ANGLES ±2°		APVD D. Halberstadt 26JUN2008	PRODUCT SPEC -	
MATERIAL see notes		FINISH see notes	APPLICATION SPEC -	RESTRICTED TO -
		WEIGHT .[gram]	SIZE A3	CAGE CODE 00779
		CUSTOMER DRAWING	DRAWING NO. C-2042647	SCALE 8:1
			SHEET 3 OF 3	REV C

X-ON Electronics

Largest Supplier of Electrical and Electronic Components

Click to view similar products for [Memory Card Connectors](#) category:

Click to view products by [TE Connectivity](#) manufacturer:

Other Similar products are found below :

[M21-033321-005](#) [6407-249V-25273P](#) [6407-249V-25343P](#) [6426-201-21343](#) [69.920.0553.0](#) [FCN-568P068-G/07-4V](#) [809180410000000](#)
[N7E50-7516PG-20-WF](#) [HMCAP001](#) [252-0144-000](#) [2041353-2](#) [33CFAE-DN](#) [502431-1011](#) [EN2997S61212BN](#) [NX1-32T-KT3K\(05\)](#) [95622-003LF](#) [N7E50-U516RB-50-SIN0005](#) [95079-00CALF](#) [33DVIR-29S12R](#) [125A-78C00](#) [MI20A-50PD-SF-EJL\(71\)](#) [KP10S-SF-PEJ\(812\)](#)
[504536-0691](#) [504580-0691](#) [CCM03-3109 B LFT](#) [MI21-50PD-SF\(91\)](#) [2309923-1](#) [61126-050CAHLF](#) [IC1GA-68PD-1.27DS-EJ\(72\)](#)
[GTFP08432B1HR](#) [G85DT17001P1EU](#) [G85B21611142HHR](#) [GSD090144HR](#) [G85D1140022P1HR](#) [GMCB05801124EU](#) [G85C11101152HHR](#)
[G85B231021B1HR](#) [G85D1160022HHR](#) [112K-TAA0-RA1](#) [115S-ACA2](#) [115S-ACA3](#) [115S-BS00](#) [115S-BT00](#) [115V-AD00](#) [MCSP-Q1-08-A-SG-T/R](#) [503960-0695](#) [101B-TAA0-R](#) [101D-TAAA-R01](#) [101D-TAAB-R01](#) [104D-TCA0-R06](#)