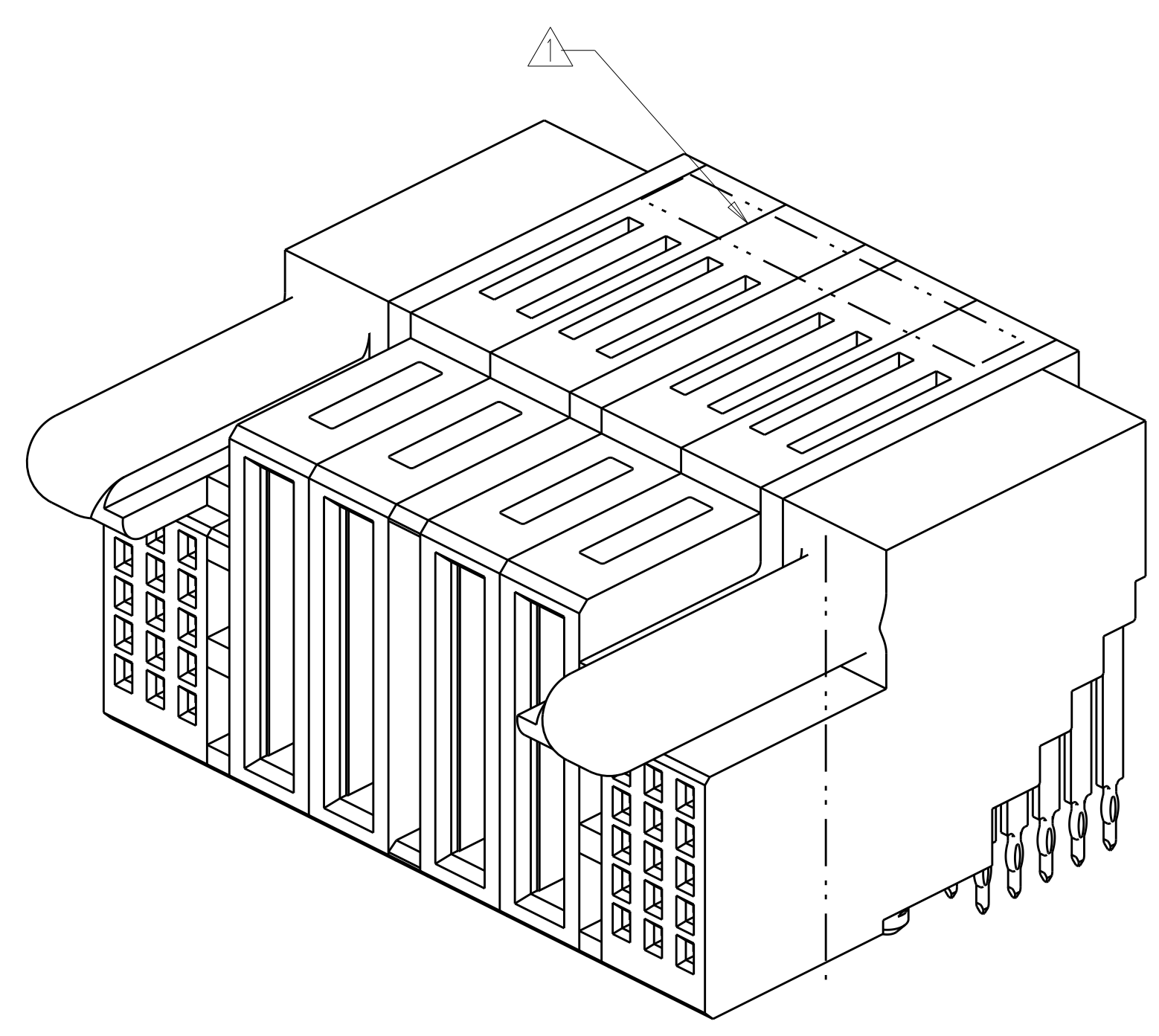
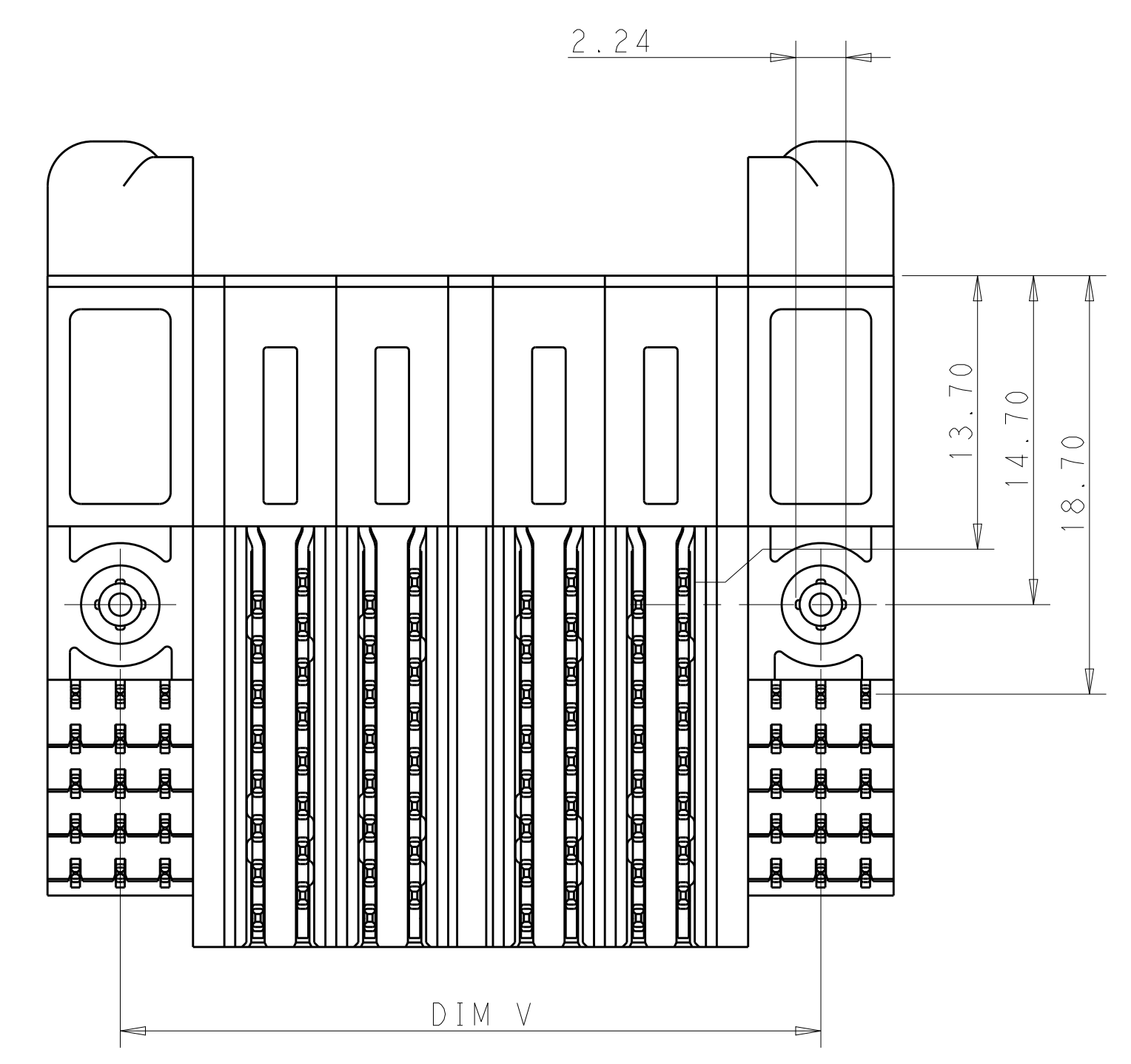
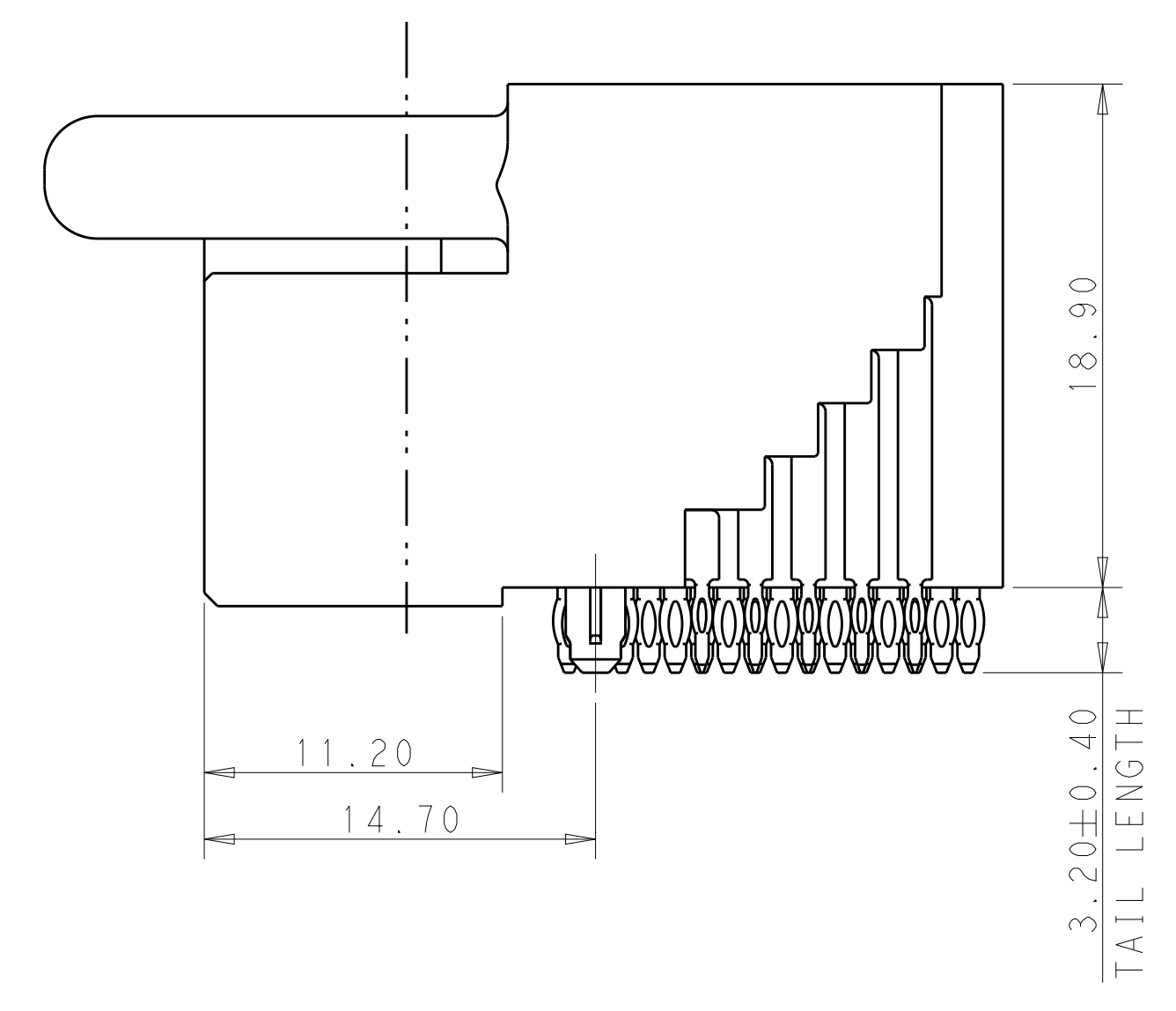
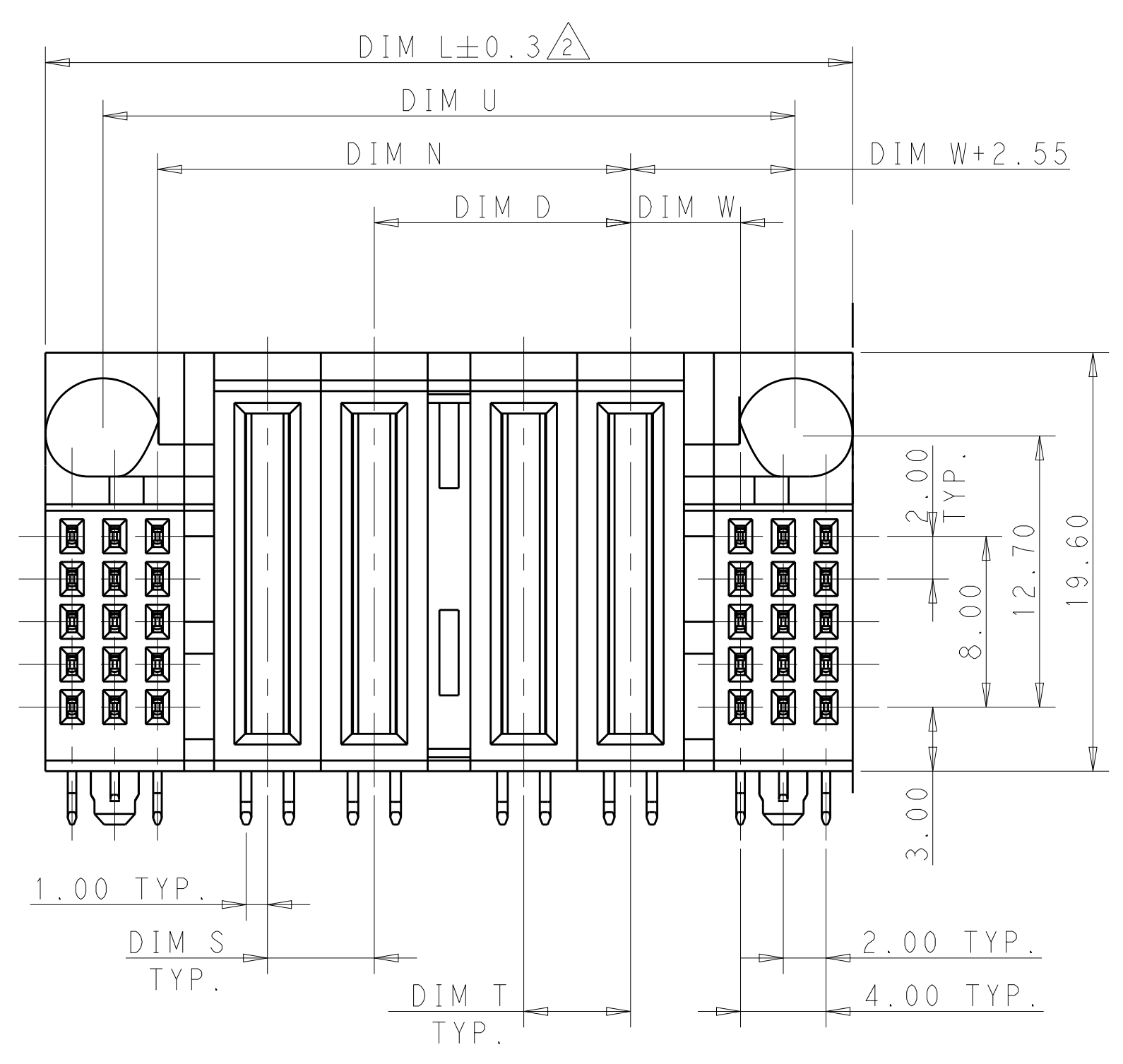


LOC		DIST		REVISIONS			
P	LTN	DESCRIPTION	DATE	DWN	APVD		
A		RELEASED DRAWING	08AUG2016	TZ	SZ		
A1		ECR-16-017993	19DEC2016	TZ	SZ		



NOTES, UNLESS OTHERWISE SPECIFIED:

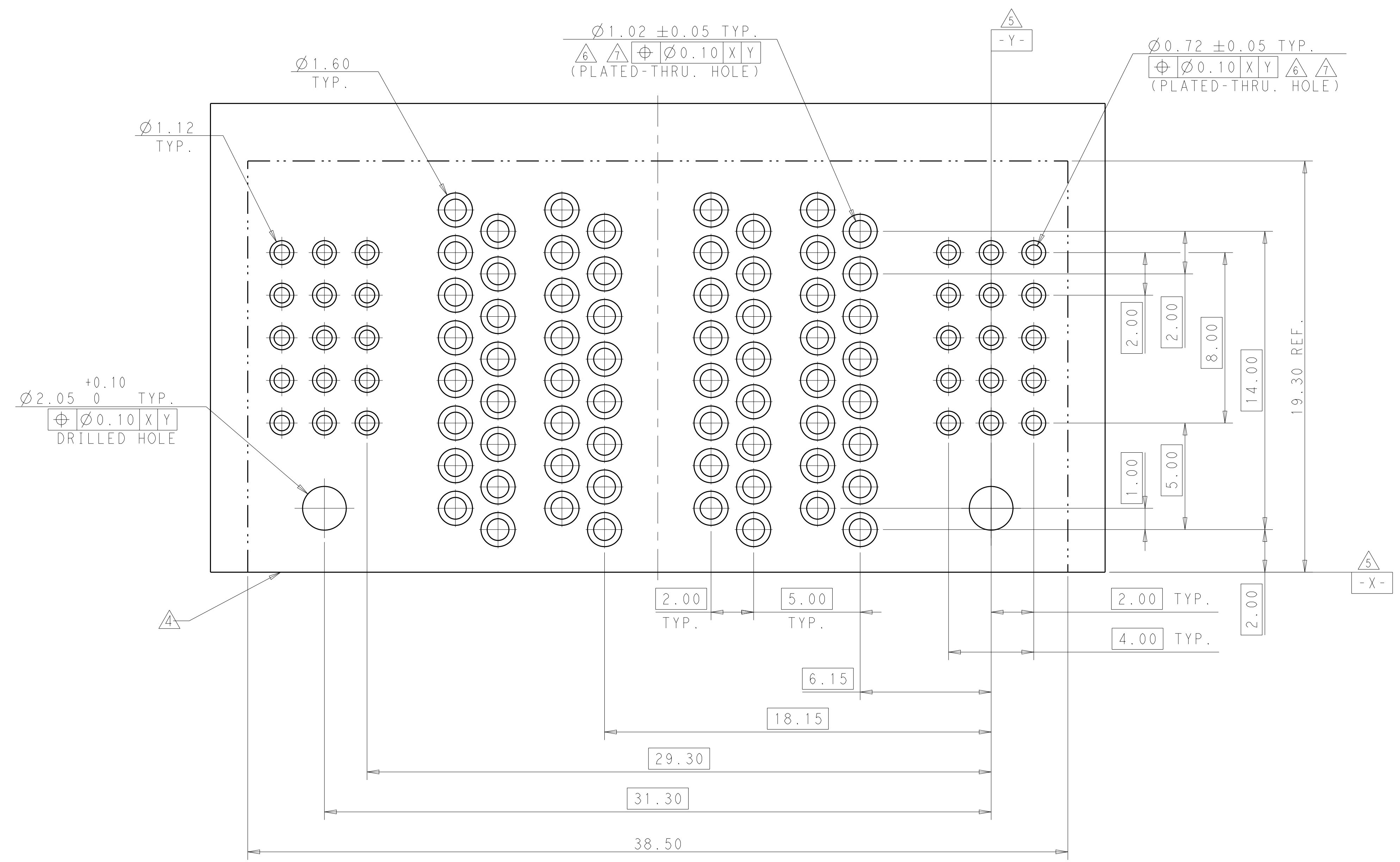
- △ "TE", PART NUMBER AND DATE CODE TO BE MARKED IN AREA SHOWN.
- △ MATERIAL:  
HOUSING - GLASS FILLED HIGH TEMP THERMO PLASTIC,  
COLOR: BLACK, UL94 V- 0.  
SIGNAL CONTACT - HIGH CONDUCTIVITY COPPER ALLOY.  
POWER CONTACT - HIGH CONDUCTIVITY COPPER ALLOY.
- △ CONTACT PLATING:  
MATING AREA - NOBLE METAL OVERALL NICKEL  
TAIL SIDE AREA - MATTE TIN OVERALL NICKEL.
- 4. MECHANICAL CONNECTOR KEEP OUT ZONE.
- △ DATUM AND BASIC DIMENSIONS ESTABLISHED BY CUSTOMER.
- △ PCB - ALL HOLE DIAMETERS ARE FINISHED HOLE SIZES.
- △ PCB HOLE:  
POWER - 1.15±0.025 MM DRILLED HOLES SIZE PLATING WITH 0.0076 MM MIN.  
Sn OVER 0.025~0.076 MM Cu PLATING TO ACHIEVE A 1.02 MM DIA. HOLE.  
SIGNAL - 0.835±0.025 MM DRILLED HOLES SIZE PLATING WITH 0.0076 MM MIN.  
Sn OVER 0.025~0.076 MM Cu PLATING TO ACHIEVE A 0.72 MM DIA. HOLE.

PRELIMINARY

47.80	42.40	32.15	17.00	5.15	5.00	5.00	41.30	15S+3P+3P+15S	2204400-4
27.80	22.40	-	7.00	5.15	-	-	21.30	0S+1P+1P+0S	2204400-3
83.80	78.40	68.15	42.00	5.15	5.00	7.00	77.30	15S+8P+4HVP+15S	2204400-2
37.80	32.40	22.15	12.00	5.15	5.00	5.00	31.30	15S+2P+2P+15S	2204400-1
DIM L	DIM U	DIM N	DIM D	DIM W	DIM S	DIM T	DIM V	DESCRIPTION	PART NUMBER

THIS DRAWING IS A CONTROLLED DOCUMENT.		DWN THOMAS_ZHAO 06AUG2013	 TE Connectivity
DIMENSIONS: mm		CHK SUNY_ZHAO 06AUG2013	
TOLERANCES UNLESS OTHERWISE SPECIFIED:		APVD SUNY_ZHAO 06AUG2013	NAME Customer Drawing
0 PLC ±0.4 1 PLC ±0.4 2 PLC ±0.25 3 PLC ±0.15 4 PLC ±0.15 ANGLES ±°		PRODUCT SPEC	RIGHT ANGLE RECEPTACLE PRESS FIT
MATERIAL: △		APPLICATION SPEC	MULTI-BEAM HD S+P+P+S
FINISH: △		WEIGHT	RESTRICTED TO
CUSTOMER DRAWING		SIZE A1	SCALE 4:1
		CAGE CODE -	DRAWING NO. C=2204400
		SHEET 1	OF 4
		REV A1	

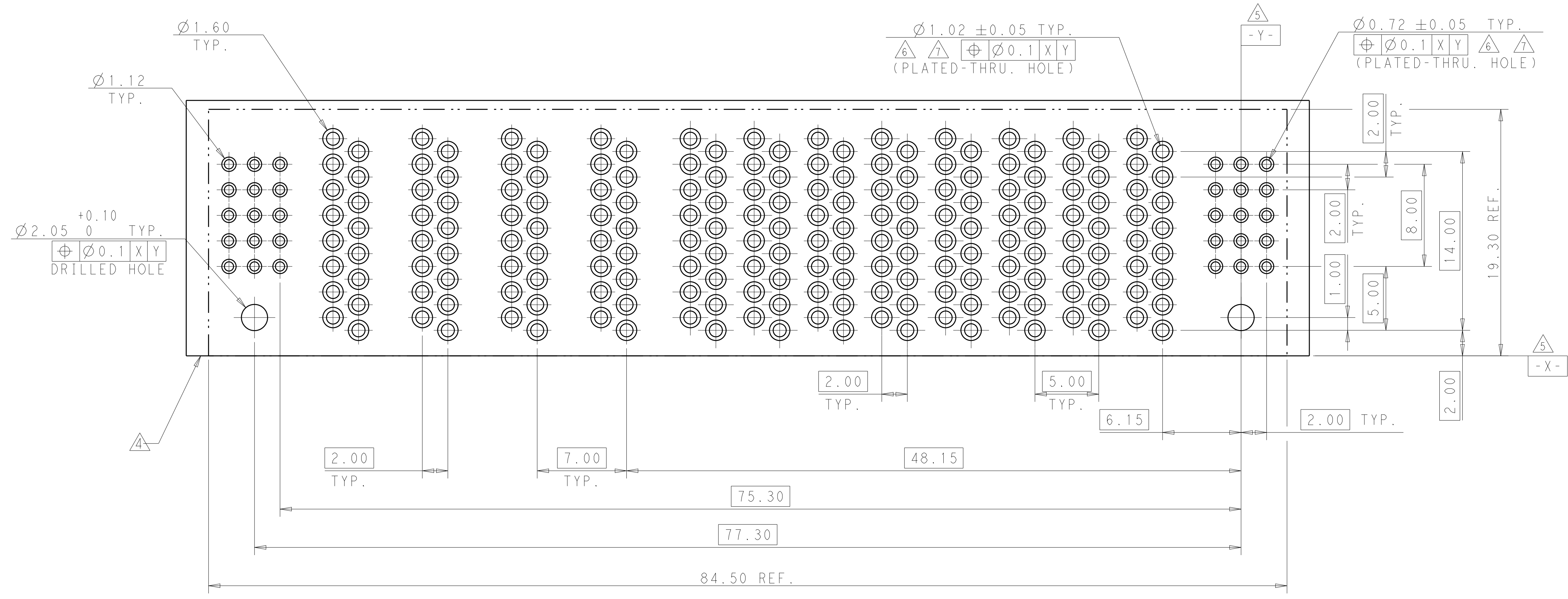
LOC	DIST	REVISIONS			
P	LTH	DESCRIPTION	DATE	DWN	APVD
-	-	SEE SHEET 1	-	-	-



PART NUMBER	ROWS	SIGNAL			POWER				SIGNAL		
		6	5	4	P4	P3	P2	P1	3	2	1
2204400-1	E	SR	SR	SR	PR	PR	PR	PR	SR	SR	SR
	D	SR	SR	SR	PR	PR	PR	PR	SR	SR	SR
	C	SR	SR	SR	PR	PR	PR	PR	SR	SR	SR
	B	SR	SR	SR	PR	PR	PR	PR	SR	SR	SR
	A	SR	SR	SR	PR	PR	PR	PR	SR	SR	SR
15S+2P+2P+15S											

POWER CONTACT PRESS-FIT STANDARD	PS									
POWER CONTACT PRESS-FIT MFBL	PR									
SIGNAL CONTACT PRESS-FIT	SR1									
SIGNAL/HP/SIGNAL WITH GUIDE	HOUSING									
DESCRIPTION	CODE									
THIS DRAWING IS A CONTROLLED DOCUMENT.										
DIMENSIONS:	TOLERANCES UNLESS OTHERWISE SPECIFIED:									
mm	0 PLC ±0.4									
	1 PLC ±0.4									
	2 PLC ±0.75									
	3 PLC ±1.15									
	4 PLC ±1.15									
	ANGLES ±°									
MATERIAL	FINISH									
<table border="0"> <tr> <td>OWN</td> <td>THOMAS ZHAO</td> <td>06AUG2013</td> </tr> <tr> <td>CHK</td> <td>SUNY ZHAO</td> <td>06AUG2013</td> </tr> <tr> <td>APVD</td> <td>SUNY ZHAO</td> <td>06AUG2013</td> </tr> </table>		OWN	THOMAS ZHAO	06AUG2013	CHK	SUNY ZHAO	06AUG2013	APVD	SUNY ZHAO	06AUG2013
OWN	THOMAS ZHAO	06AUG2013								
CHK	SUNY ZHAO	06AUG2013								
APVD	SUNY ZHAO	06AUG2013								
<table border="0"> <tr> <td>NAME</td> <td>Customer Drawing</td> </tr> <tr> <td>PRODUCT SPEC</td> <td>RIGHT ANGLE RECEPTACLE PRESS FIT</td> </tr> <tr> <td>APPLICATION SPEC</td> <td>MULTI-BEAM HD S+P+P+S</td> </tr> </table>		NAME	Customer Drawing	PRODUCT SPEC	RIGHT ANGLE RECEPTACLE PRESS FIT	APPLICATION SPEC	MULTI-BEAM HD S+P+P+S			
NAME	Customer Drawing									
PRODUCT SPEC	RIGHT ANGLE RECEPTACLE PRESS FIT									
APPLICATION SPEC	MULTI-BEAM HD S+P+P+S									
SIZE	A1									
CAGE CODE	-									
DRAWING NO	C=2204400									
RESTRICTED TO	-									
CUSTOMER DRAWING										
SCALE	4:1									
SHEET	2 OF 4									
REV	A1									

LOC		DIST		REVISIONS			
P	LTN	DESCRIPTION	DATE	DMN	APVD		
-	-	SEE SHEET 1	-	-	-		



PART NUMBER	ROWS	SIGNAL			POWER											SIGNAL			
		6	5	4	PI2	PI1	PI0	P9	P8	P7	P6	P5	P4	P3	P2	P1	3	2	1
2204400-2	E	SR	SR	SR	PR	PR	PR	PR	PR	PR	PR	PR	PR	PR	PR	PR	SR	SR	SR
	D	SR	SR	SR	PR	PR	PR	PR	PR	PR	PR	PR	PR	PR	PR	PR	SR	SR	SR
	C	SR	SR	SR													SR	SR	SR
	B	SR	SR	SR													SR	SR	SR
	A	SR	SR	SR													SR	SR	SR

15S+8P+4HVP+15S

THIS DRAWING IS A CONTROLLED DOCUMENT. DWN THOMAS\_ZHAO 06AUG2013  
 CHK SUNY\_ZHAO 06AUG2013  
 APVD SUNY\_ZHAO 06AUG2013

**STE** TE Connectivity

Customer Drawing  
 RIGHT ANGLE RECEPTACLE PRESS FIT  
 MULTI-BEAM HD S+P+P+S

SIZE A1 CAGE CODE DRAWING NO. C=2204400 RESTRICTED TO

MATERIAL FINISH WEIGHT CUSTOMER DRAWING SCALE 4:1 SHEET 3 OF 4 REV A1



## X-ON Electronics

Largest Supplier of Electrical and Electronic Components

*Click to view similar products for [Power to the Board](#) category:*

*Click to view products by [TE Connectivity](#) manufacturer:*

Other Similar products are found below :

[6450171-4](#) [6450552-7](#) [6600323-8](#) [6643429-1](#) [6646040-2](#) [6651939-1](#) [6766604-1](#) [120959-1](#) [1393557-2](#) [1393532-2](#) [1393532-3](#) [1393532-4](#)  
[1393557-1](#) [1600812-5](#) [1-6450861-2](#) [1744132-7](#) [1761122-1](#) [1766250-1](#) [1892109-1](#) [2-6450860-5](#) [2-6450870-0](#) [1-6450161-4](#) [1-6450850-6](#) [1-6450869-6](#) [1645526-2](#) [1-6600130-0](#) [2005243-2](#) [377-0020-11130](#) [TE34-12-16P-F0](#) [5-6450830-6](#) [5646956-4](#) [377-0080-11131A](#) [4-6450830-9](#)  
[4-6600333-3](#) [10125416-4050LF](#) [6600320-3](#) [3-6450860-5](#) [1888123-2](#) [6450166-1](#) [6643978-1](#) [6766605-1](#) [701-15-02109](#) [N11444](#) [6651938-1](#)  
[6450810-7](#) [46437-1112](#) [1-1589677-8](#) [5646956-5](#) [6450813-2](#) [6450129-4](#)