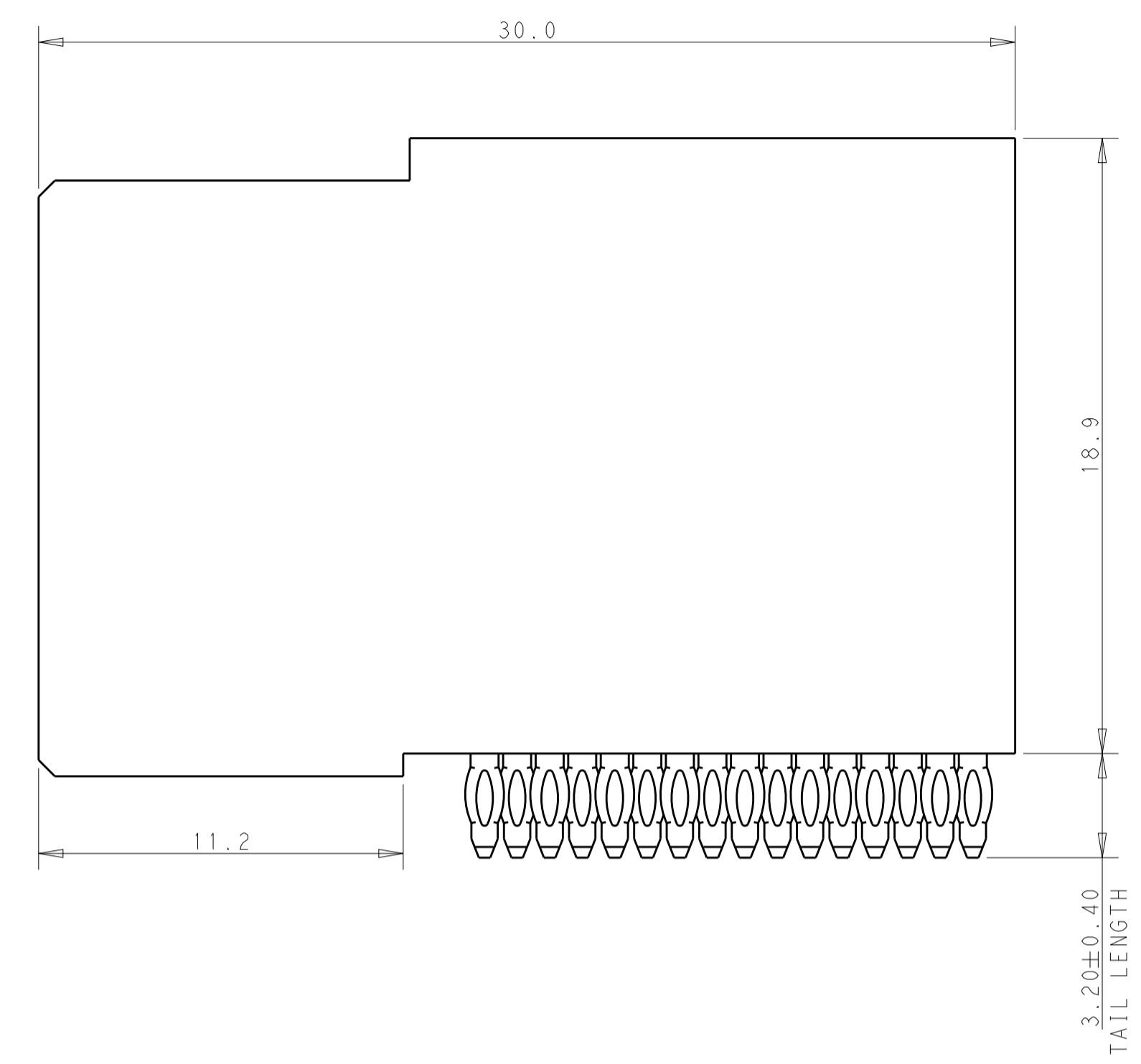
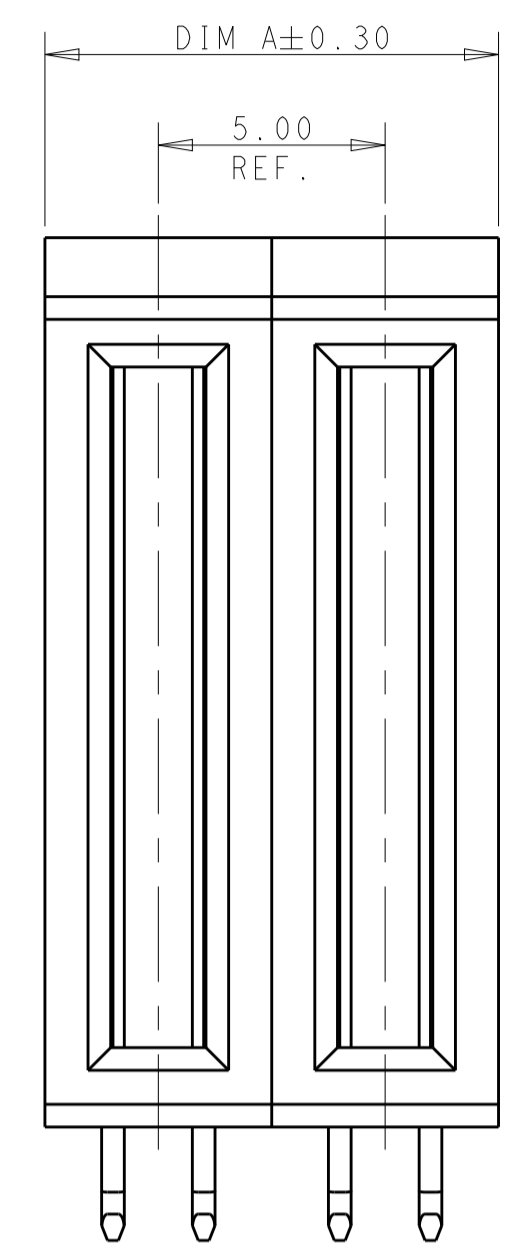
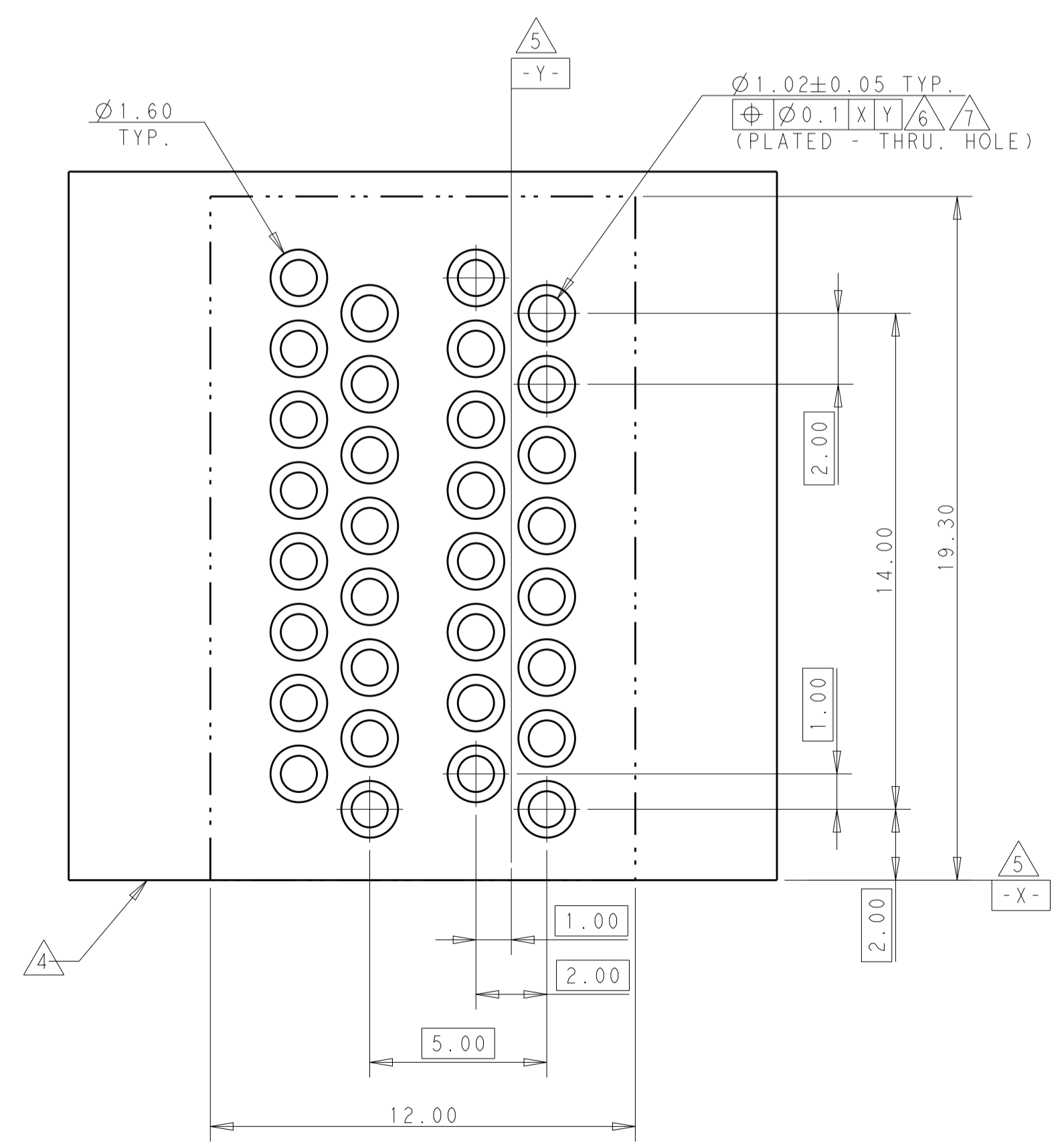
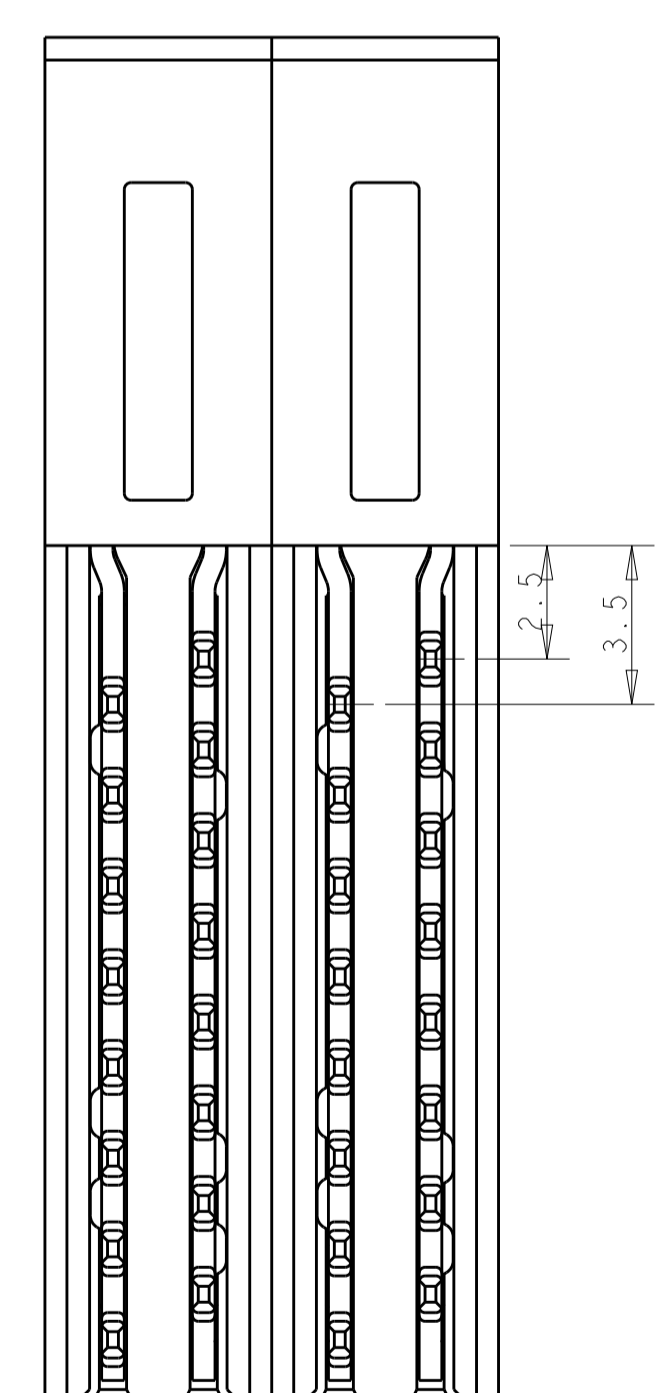
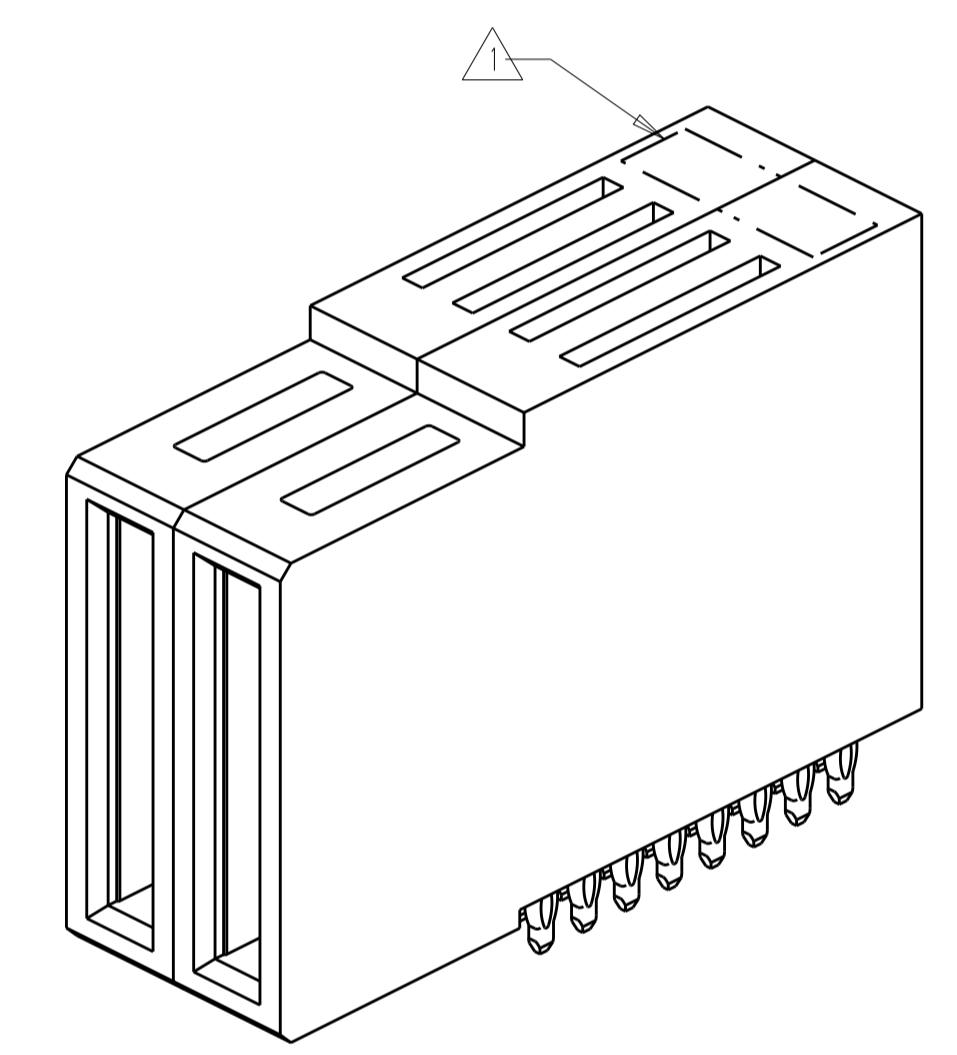


| REVISIONS | | | | | |
|-----------|-----|------------------|------------|-----|------|
| P | LTN | DESCRIPTION | DATE | DMN | APVD |
| A | | RELEASED DRAWING | 29JULY2016 | TZ | SZ |
| A1 | | ECR-18-000263 | 09JAN2018 | TZ | SZ |



- NOTES, UNLESS OTHERWISE SPECIFIED:
- 1 "TE", PART NUMBER AND DATE CODE TO BE MARKED IN AREA SHOWN.
 - 2 MATERIAL:
HOUSING - GLASS FILLED HIGH TEMP THERMO PLASTIC, COLOR: BLACK, UL94 V- 0.
SIGNAL CONTACT - HIGH CONDUCTIVITY COPPER ALLOY.
POWER CONTACT - HIGH CONDUCTIVITY COPPER ALLOY.
 - 3 CONTACT PLATING:
MATING AREA - NOBLE METAL OVERALL NICKEL
TAIL SIDE AREA - MATTE TIN OVERALL NICKEL.
 - 4 MECHANICAL CONNECTOR KEEP OUT ZONE.
 - 5 DATUM AND BASIC DIMENSIONS ESTABLISHED BY CUSTOMER.
 - 6 PCB - ALL HOLE DIAMETERS ARE FINISHED HOLE SIZES.
 - 7 PCB HOLE:
POWER - 1.15 ±0.025 MM DRILLED HOLES SIZE PLATING WITH 0.0076 MM MIN. Sn OVER 0.025-0.076 MM Cu PLATING TO ACHIEVE A 1.02 MM DIA. HOLE.
SIGNAL - 0.835 ±0.025 MM DRILLED HOLES SIZE PLATING WITH 0.0076 MM MIN. Sn OVER 0.025-0.076 MM Cu PLATING TO ACHIEVE A 0.72 MM DIA. HOLE.



| PART NUMBER | HOUSING | POWER | |
|-------------|-----------|-------|-----|
| | | P2 | P1 |
| 2204403-1 | 2204313-1 | P R | P R |
| | | 2P | |

| DESCRIPTION | CODE |
|--------------------------------------|------|
| INSERT MOLD SIGNAL CONTACT PRESS FIT | VR |
| POWER CONTACT PRESS FIT STANDARD | PS |
| POWER CONTACT PRESS FIT MFBL | PR |

THIS DRAWING IS A CONTROLLED DOCUMENT. DMN THOMAS ZHAO 16JUN2014
 CHK SUNY ZHAO 16JUN2014
 APVD SUNY ZHAO 16JUN2014

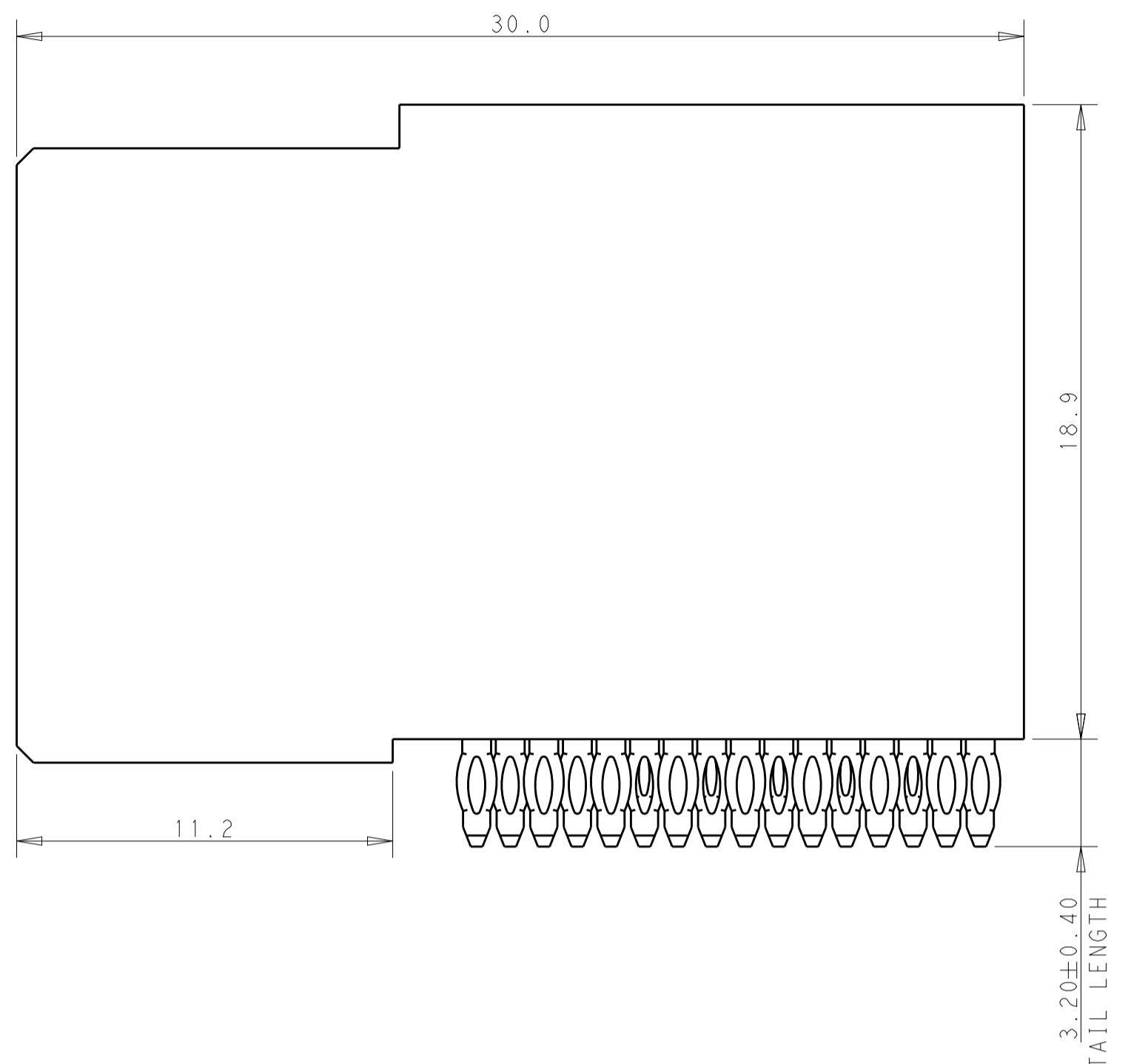
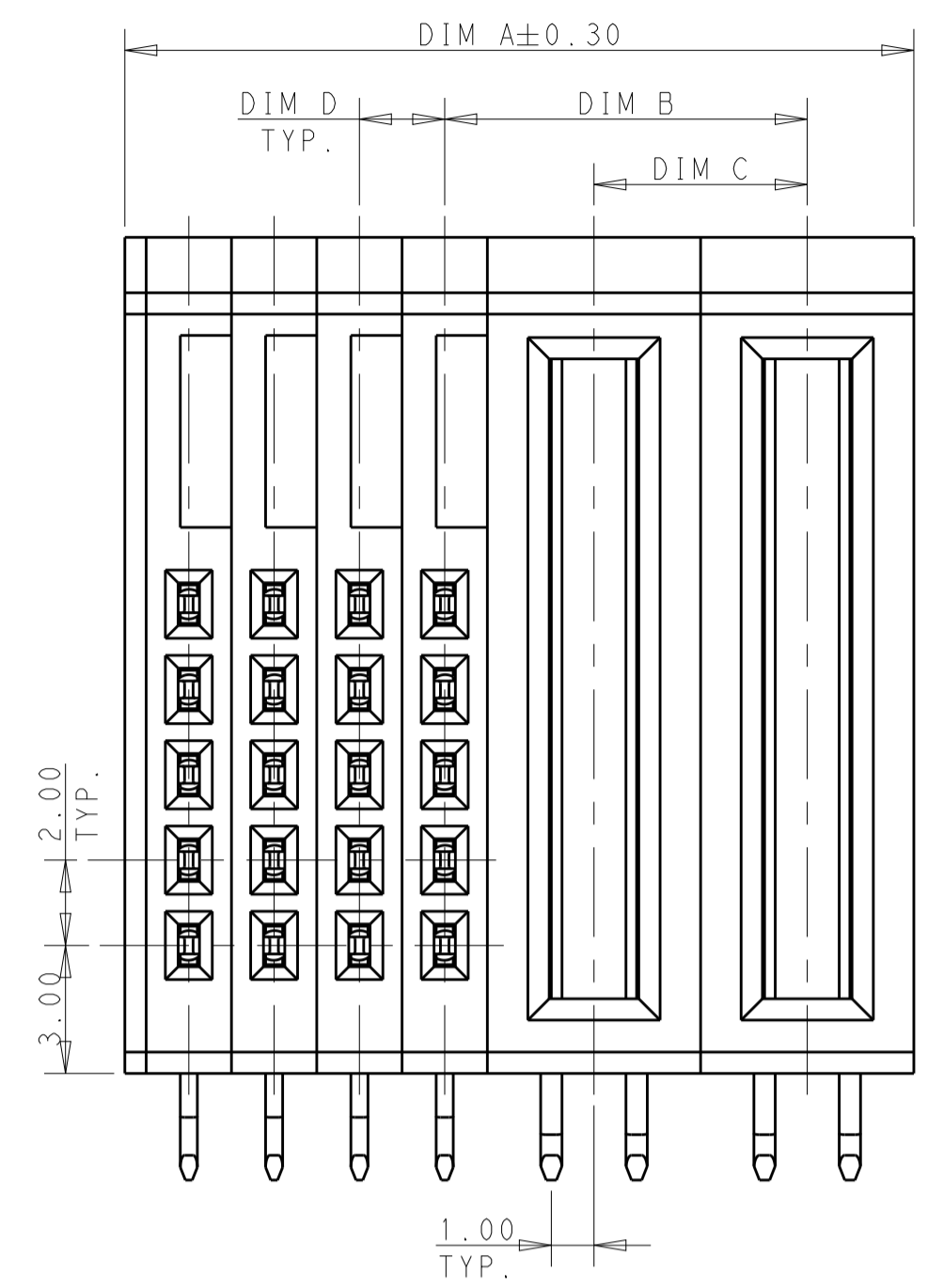
STE TE Connectivity

Customer Drawing
 RIGHT ANGLE REC. PRESS FIT
 MULTI-BEAM HD W/GUIDELESS

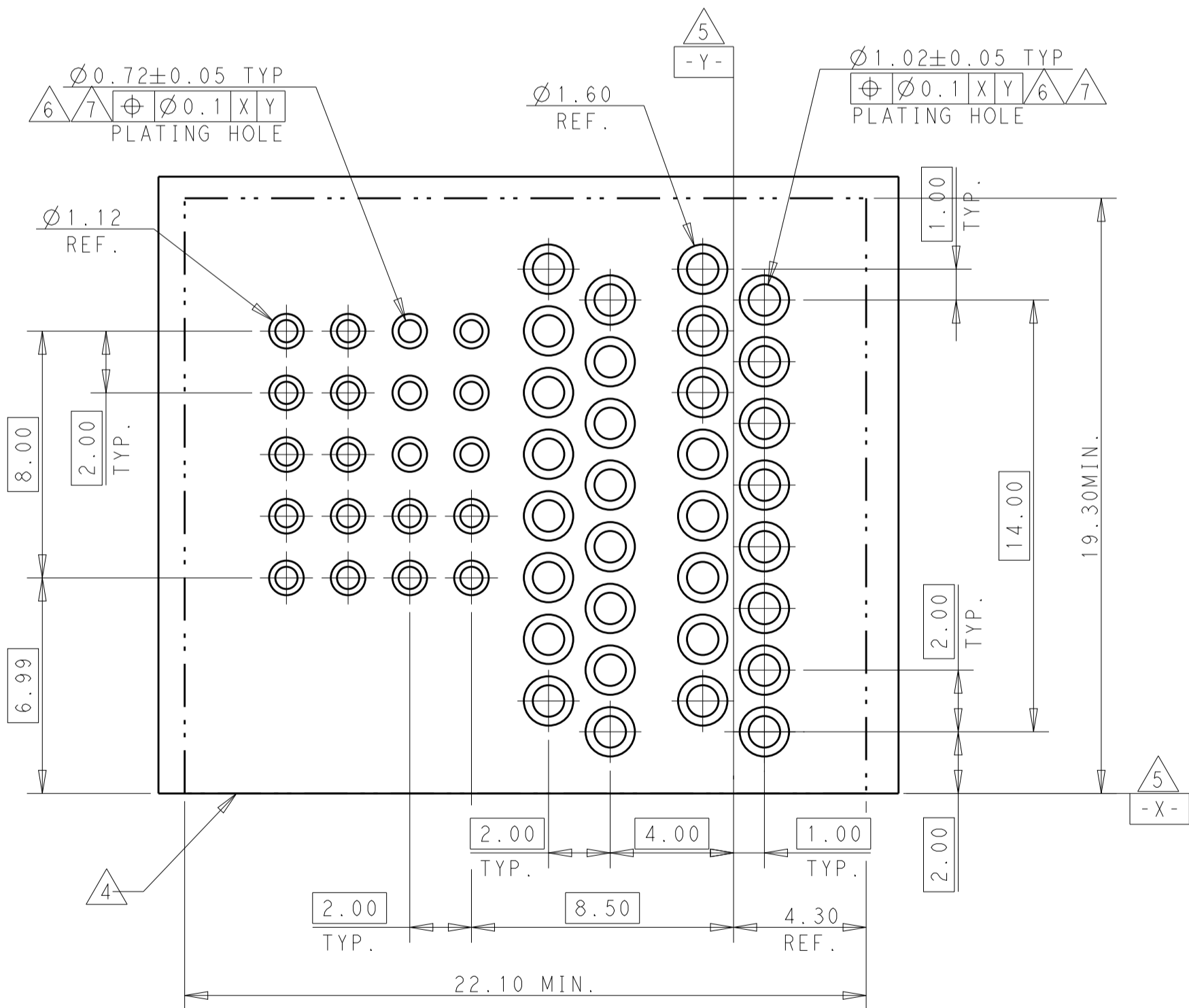
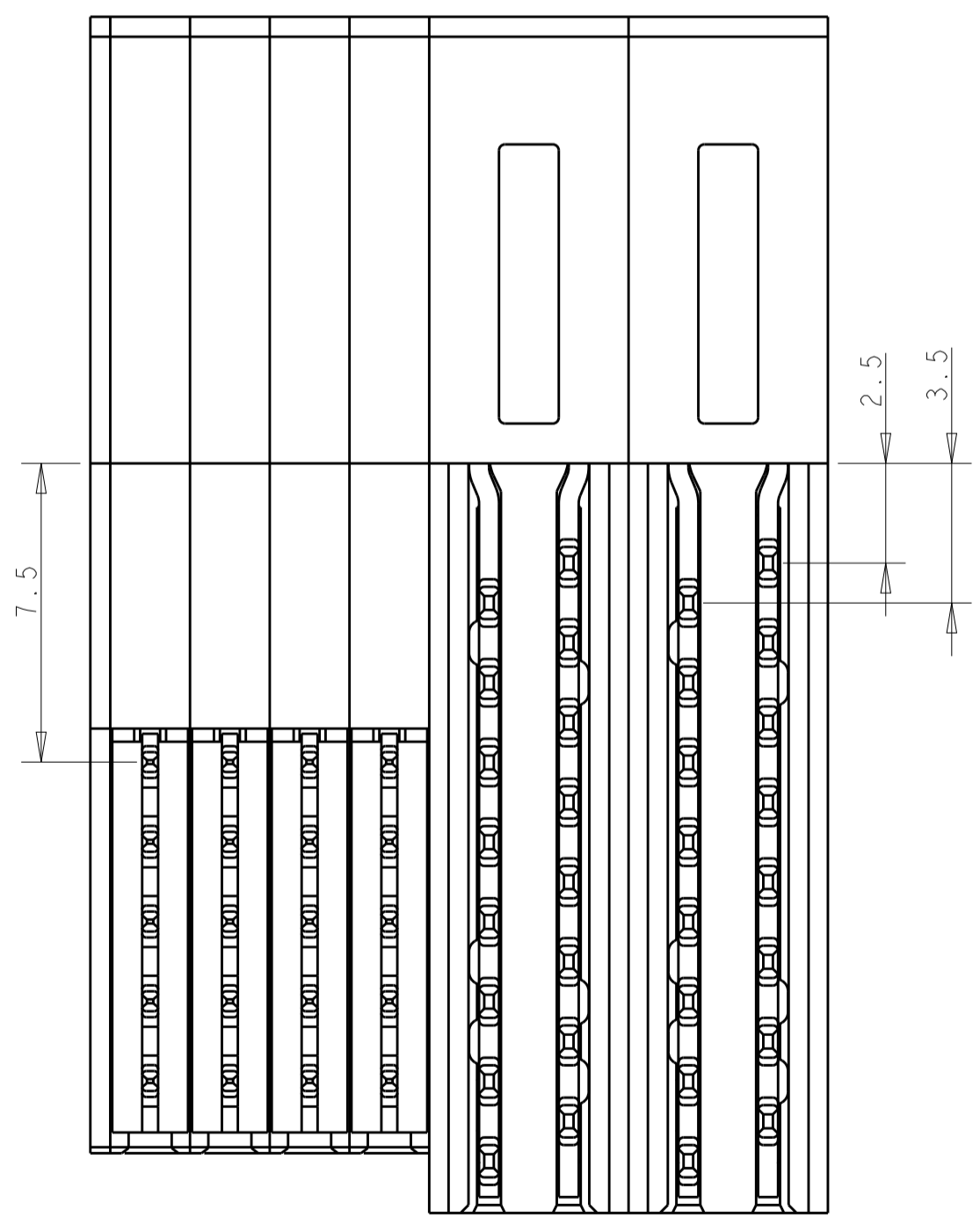
SIZE: A1 CAGE CODE: - DRAWING NO: C=2204403 RESTRICTED TO: -
 WEIGHT: -
 MATERIAL: 2 FINISH: 3
 CUSTOMER DRAWING SCALE: 6:1 SHEET 1 OF 2 REV: A1

| DIM D | DIM C | DIM B | DIM A | DESCRIPTION | PART NUMBER |
|-------|-------|-------|-------|-------------|-------------|
| 2.00 | 5.00 | 8.50 | 18.50 | 2P+20S | 2204403-2 |
| - | - | - | 10.0 | 2P | 2204403-1 |

| REVISIONS | | | | |
|-----------|-----|-------------|------|------|
| P. | LTN | DESCRIPTION | DATE | APVD |
| - | - | SEE SHEET 1 | - | - |
| | | | | |
| | | | | |



| PART NUMBER | ROWS | SIGNAL | | | | POWER | |
|-------------|------|--------|----|----|----|-------|----|
| | | 4 | 3 | 2 | 1 | P2 | PI |
| 2204403-2 | E | VR | VR | VR | VR | PS | PR |
| | D | VR | VR | VR | VR | | |
| | C | VR | VR | VR | VR | | |
| | B | VR | VR | VR | VR | | |
| | A | VR | VR | VR | VR | | |
| 2P+20S | | | | | | | |



THIS PAGE SHOW THE PART NUMBER: 2204403-2

| | | | | |
|--|---|--|---|--|
| THIS DRAWING IS A CONTROLLED DOCUMENT. | | DWN THOMAS_ZHAO 16JUN2014 CHK SUNY_ZHAO 16JUN2014 APVD SUNY_ZHAO 16JUN2014 | TE Connectivity | |
| DIMENSIONS: mm | TOLERANCES UNLESS OTHERWISE SPECIFIED: 0 PLC ± 1 PLC ±0.4 2 PLC ±0.75 3 PLC ±1.5 4 PLC ± ANGLES ± | NAME Customer Drawing PRODUCT SPEC RIGHT ANGLE REC. PRESS FIT APPLICATION SPEC MULTI-BEAM HD W/GUIDELESS | SIZE A1 CAGE CODE - DRAWING NO. C=2204403 | RESTRICTED TO SCALE 6:1 SHEET 2 OF 2 REV A1 |
| MATERIAL | FINISH | WEIGHT | CUSTOMER DRAWING | |

X-ON Electronics

Largest Supplier of Electrical and Electronic Components

Click to view similar products for [Power to the Board](#) category:

Click to view products by [TE Connectivity](#) manufacturer:

Other Similar products are found below :

[6450171-4](#) [6450552-7](#) [6600323-8](#) [6643429-1](#) [6646040-2](#) [6651939-1](#) [6766604-1](#) [120959-1](#) [1393557-2](#) [1393532-2](#) [1393532-3](#) [1393532-4](#)
[1393557-1](#) [1600812-5](#) [1-6450861-2](#) [1744132-7](#) [1761122-1](#) [1766250-1](#) [1892109-1](#) [2-6450860-5](#) [2-6450870-0](#) [1-6450161-4](#) [1-6450850-6](#) [1-](#)
[6450869-6](#) [1645526-2](#) [1-6600130-0](#) [2005243-2](#) [377-0020-11130](#) [TE34-12-16P-F0](#) [51700-10201602AALF](#) [5-6450830-6](#) [5646956-4](#) [377-](#)
[0080-11131A](#) [4-6450830-9](#) [4-6600333-3](#) [10125416-4050LF](#) [10130248-005LF](#) [6600320-3](#) [3-6450860-5](#) [1888123-2](#) [6450166-1](#) [6643978-1](#)
[6766605-1](#) [701-15-02109](#) [N11444](#) [6651938-1](#) [6450810-7](#) [46437-1112](#) [1-1589677-8](#) [5646956-5](#)