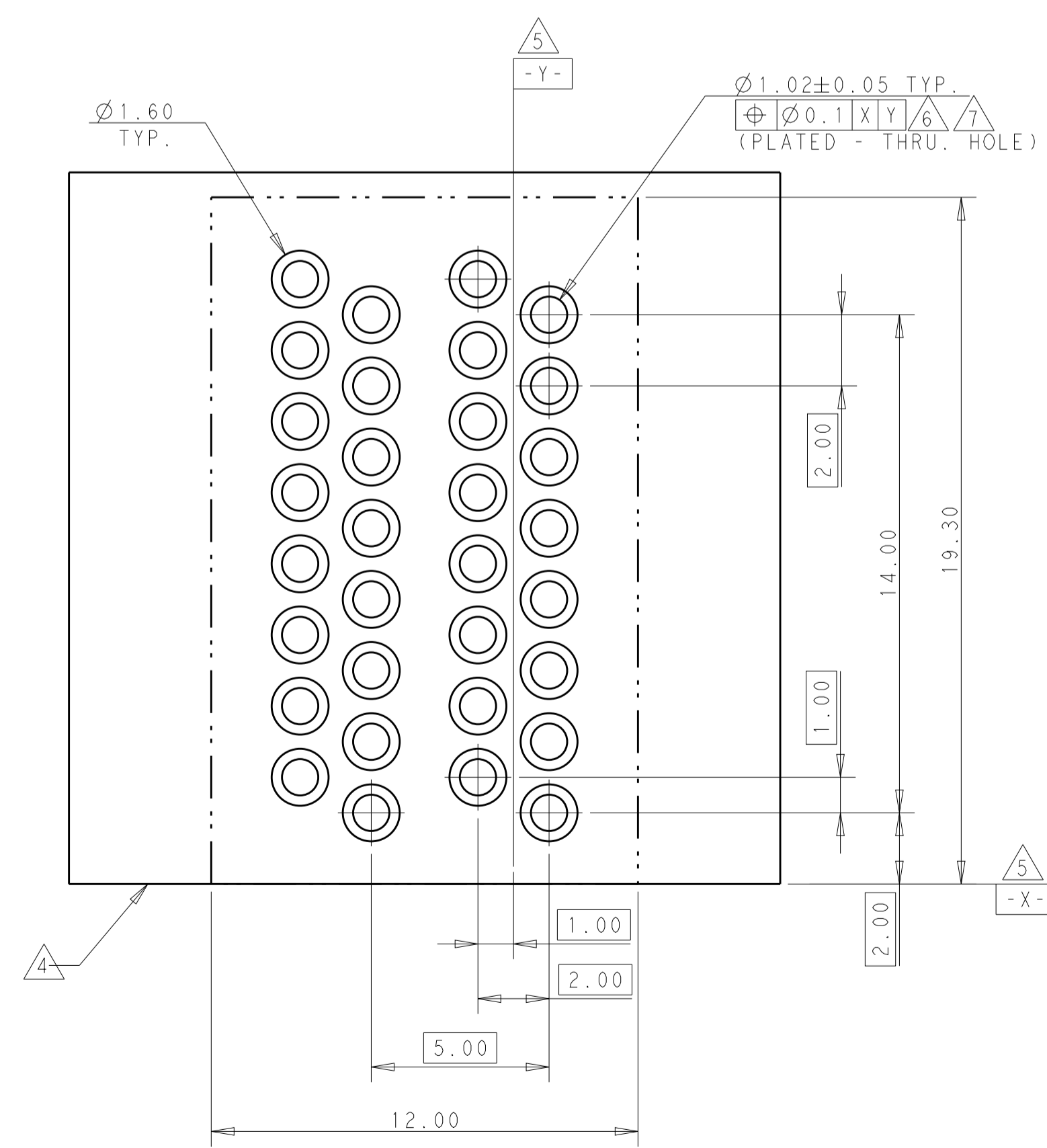
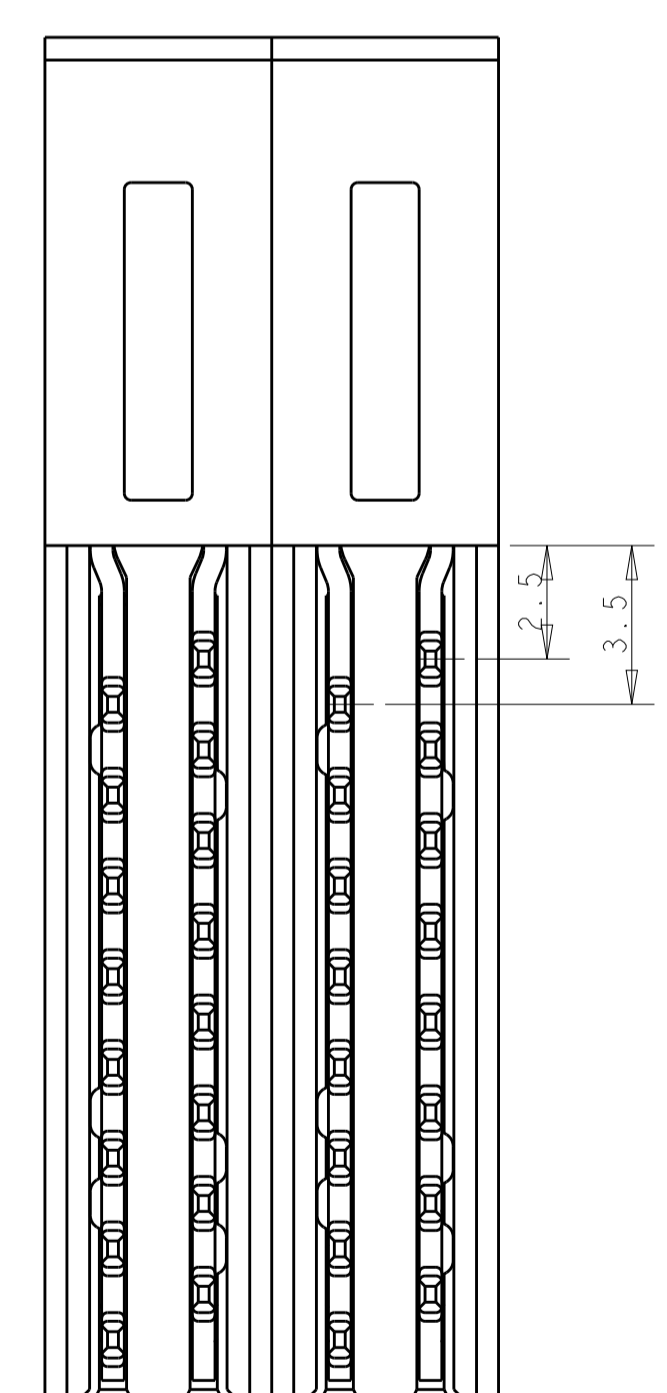
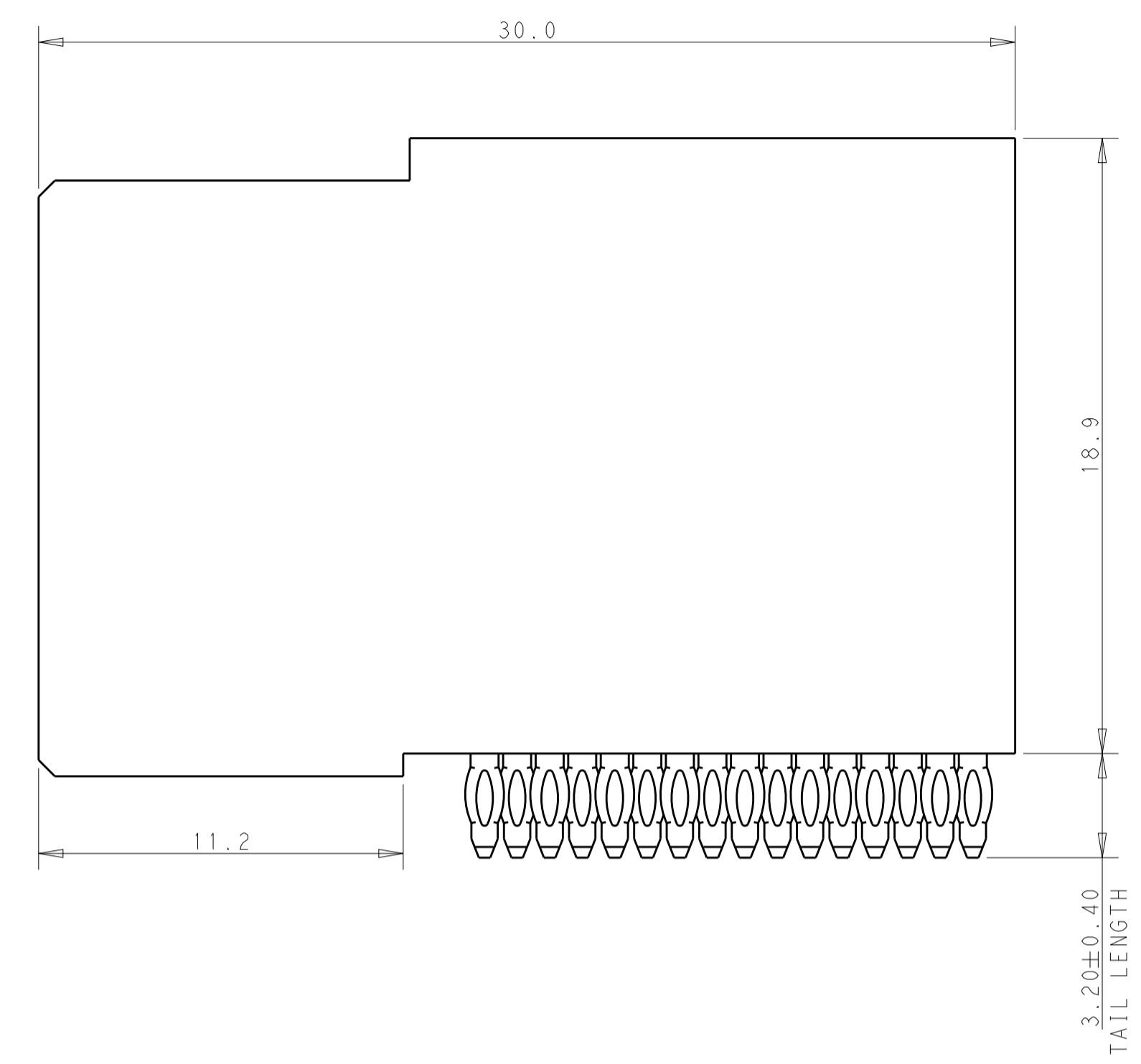
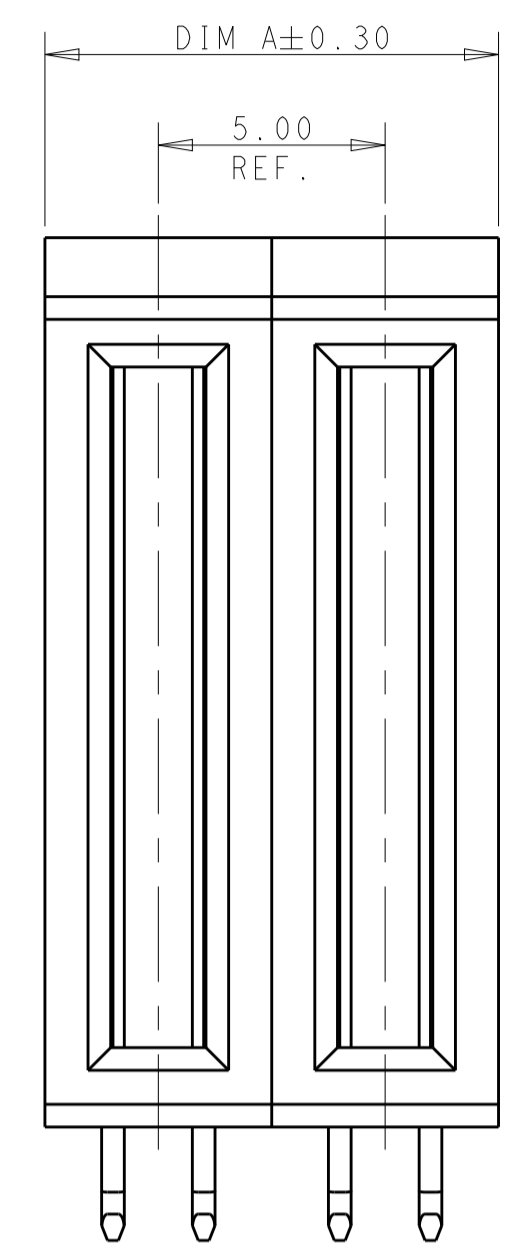
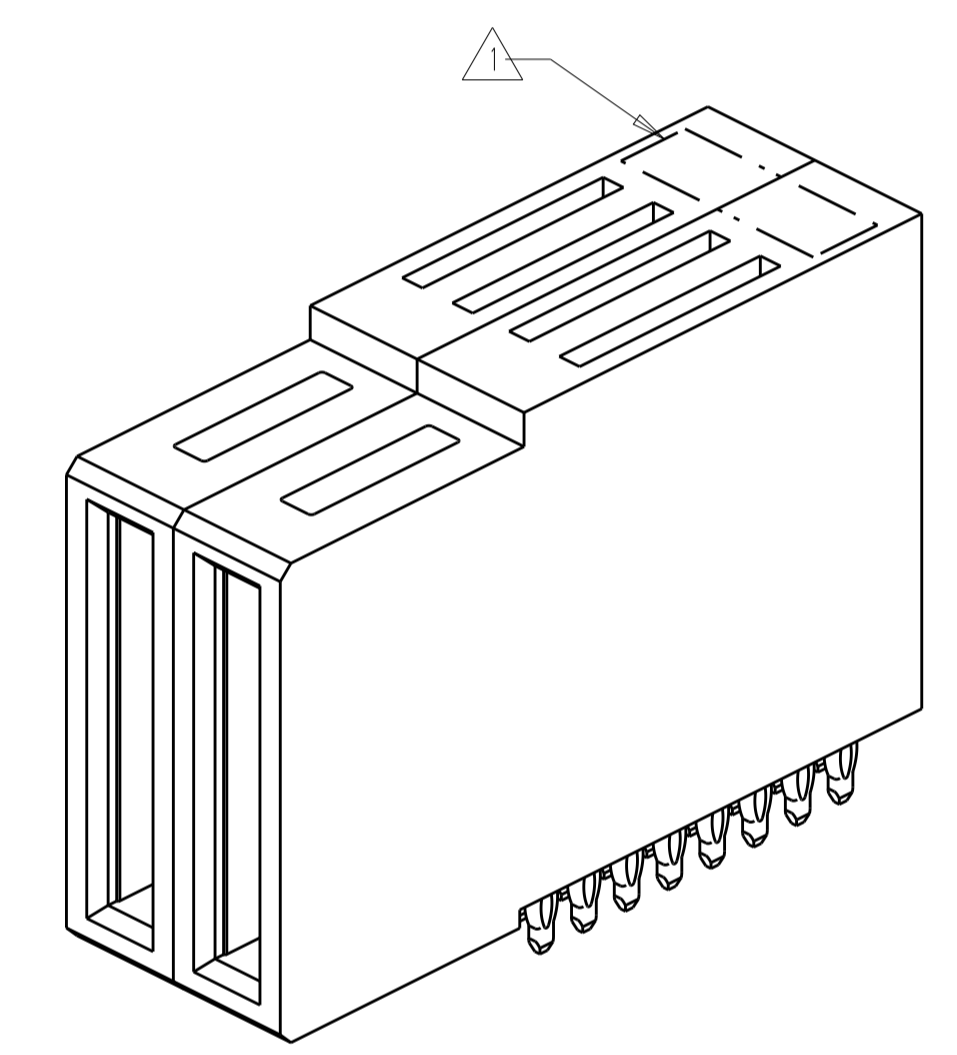


REVISIONS					
P	LTN	DESCRIPTION	DATE	DWN	APVD
A		RELEASED DRAWING	29JULY2016	TZ	SZ
A1		ECR-18-000263	09JAN2018	TZ	SZ



- NOTES, UNLESS OTHERWISE SPECIFIED:
- 1 "TE", PART NUMBER AND DATE CODE TO BE MARKED IN AREA SHOWN.
 - 2 MATERIAL:
HOUSING - GLASS FILLED HIGH TEMP THERMO PLASTIC, COLOR: BLACK, UL94 V- 0.
SIGNAL CONTACT - HIGH CONDUCTIVITY COPPER ALLOY.
POWER CONTACT - HIGH CONDUCTIVITY COPPER ALLOY.
 - 3 CONTACT PLATING:
MATING AREA - NOBLE METAL OVERALL NICKEL
TAIL SIDE AREA - MATTE TIN OVERALL NICKEL.
 - 4 MECHANICAL CONNECTOR KEEP OUT ZONE.
 - 5 DATUM AND BASIC DIMENSIONS ESTABLISHED BY CUSTOMER.
 - 6 PCB - ALL HOLE DIAMETERS ARE FINISHED HOLE SIZES.
 - 7 PCB HOLE:
POWER - 1.15 ±0.025 MM DRILLED HOLES SIZE PLATING WITH 0.0076 MM MIN. Sn OVER 0.025-0.076 MM Cu PLATING TO ACHIEVE A 1.02 MM DIA. HOLE.
SIGNAL - 0.835 ±0.025 MM DRILLED HOLES SIZE PLATING WITH 0.0076 MM MIN. Sn OVER 0.025-0.076 MM Cu PLATING TO ACHIEVE A 0.72 MM DIA. HOLE.



PART NUMBER	HOUSING	POWER	
		P2	P1
2204403-1	2204313-1	P R	P R
		2P	

DESCRIPTION	CODE
INSERT MOLD SIGNAL CONTACT PRESS FIT	VR
POWER CONTACT PRESS FIT STANDARD	PS
POWER CONTACT PRESS FIT MFBL	PR

THIS DRAWING IS A CONTROLLED DOCUMENT. DWN: THOMAS_ZHAO 16JUN2014
 CHK: SUNY_ZHAO 16JUN2014
 APVD: SUNY_ZHAO 16JUN2014

STE TE Connectivity

Customer Drawing
 RIGHT ANGLE REC. PRESS FIT
 MULTI-BEAM HD W/GUIDELESS

SIZE: A1 CAGE CODE: - DRAWING NO: C=2204403 RESTRICTED TO: -
 WEIGHT: - MATERIAL: FINISH: CUSTOMER DRAWING SCALE: 6:1 SHEET 1 OF 2 REV: A1

X-ON Electronics

Largest Supplier of Electrical and Electronic Components

Click to view similar products for te connectivity manufacturer:

Other Similar products are found below :

[570416-000](#) [CLTEQ-M81CE-SSRELAY-4-20V](#) [D38999/24FJ4AN](#) [358838-000](#) [4-1195131-0](#) [650069-000](#) [SMD100-2](#) [CB-1022B-78](#)
[RM707012](#) [RP410012](#) [MMS42](#) [1-640426-8](#) [2EDL4CM](#) [DTS20W19-11PD-3028-LC](#) [RM202615](#) [NC6-P104-06](#) [MSPS103B](#) [DTS26F21-41AE](#) [DTS26F21-41PE-LC](#) [DTS26F21-11SE-3028-LC](#) [1932144-1](#) [293545-4](#) [LVR125S](#) [MS27466T25F4PB](#) [CKB-38-78010](#)
[1206SFF150F/63-2](#) [D38999/20JB35HA](#) [D38999/24WJ20PA](#) [1754138-1](#) [TE1500A2R2J](#) [DTS24F25-29PC-3028-LC](#) [D38999/24WG11HA](#)
[D38999/24WG11HN](#) [MS27467T21F11H](#) [DJT16E21-11HA](#) [1206SFH150F/24-2](#) [DTS24F19-11SC-3028-LC](#) [DTS24F21-41HN-LC](#)
[DTS24F21-41AN](#) [DTS24F21-41PN-LC](#) [MS27467T21F35J](#) [MS27467T21F11J](#) [MS27467T21F16H-LC](#) [MS27467T21F35H](#)
[MS27467T21F41H-LC](#) [DJT16E21-11PA-LC](#) [DJT16E21-11HA-LC](#) [DJT16E21-11AA](#) [MS27467T21B11JA](#) [DJT16E21-11JA](#)