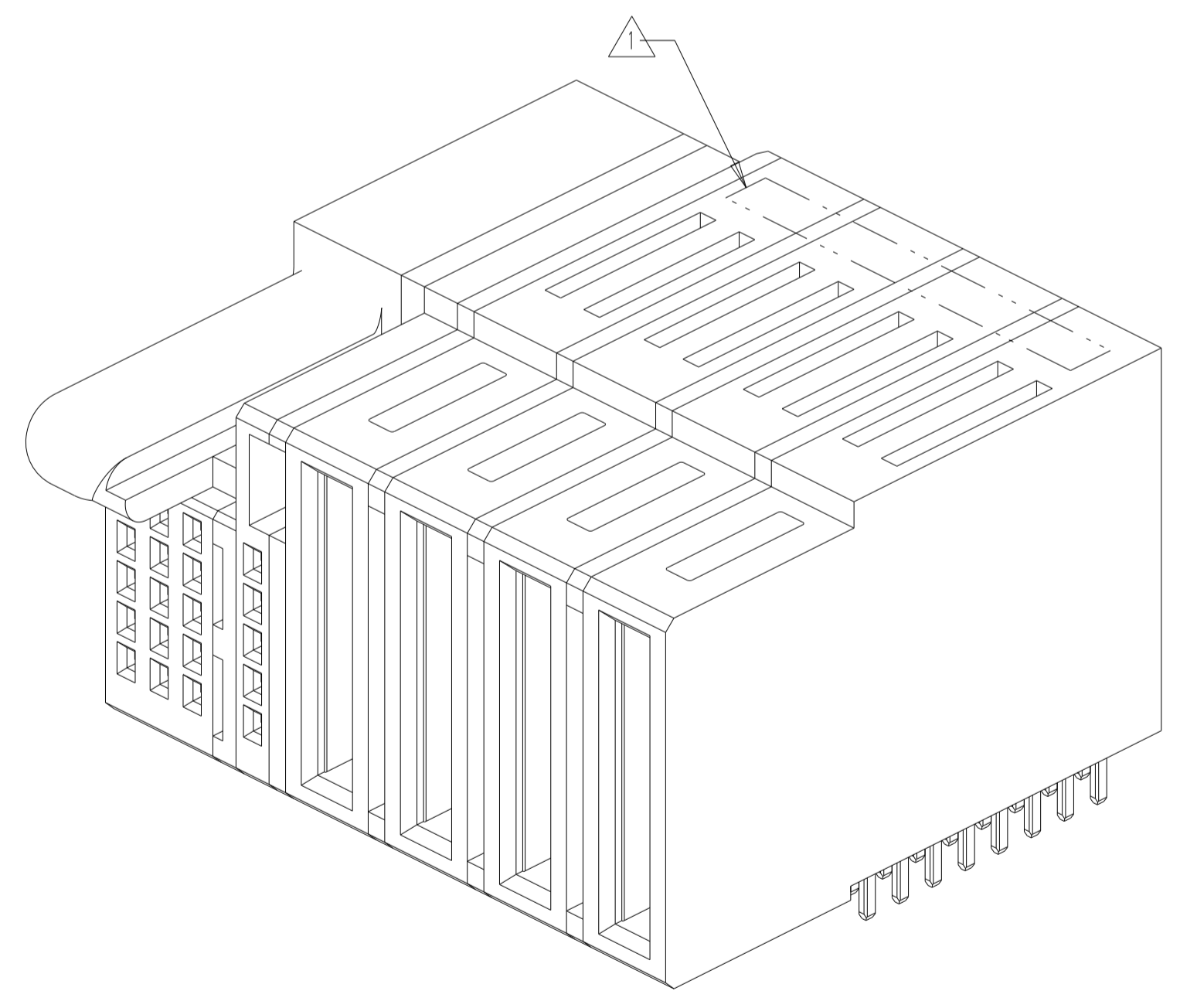
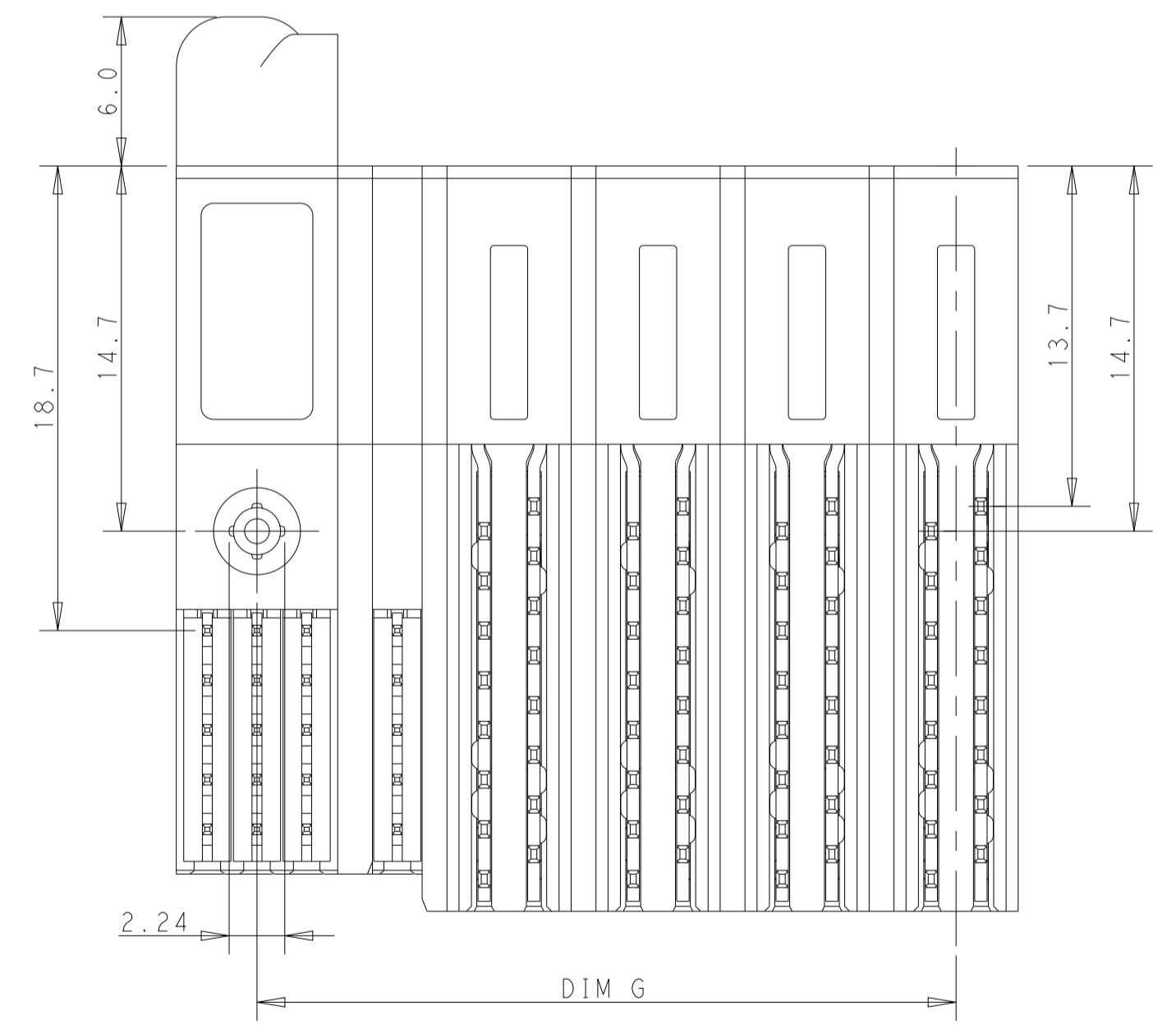
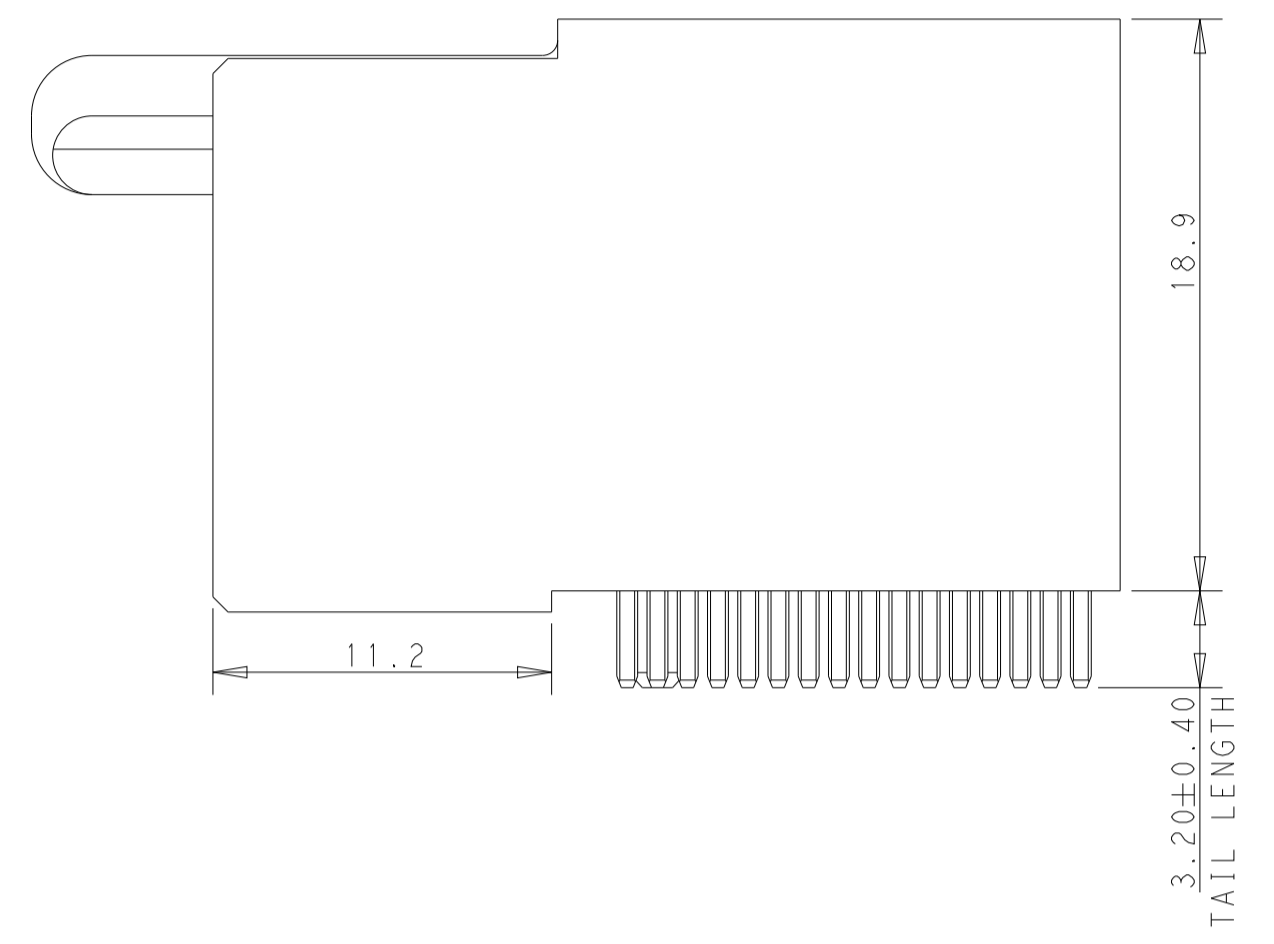
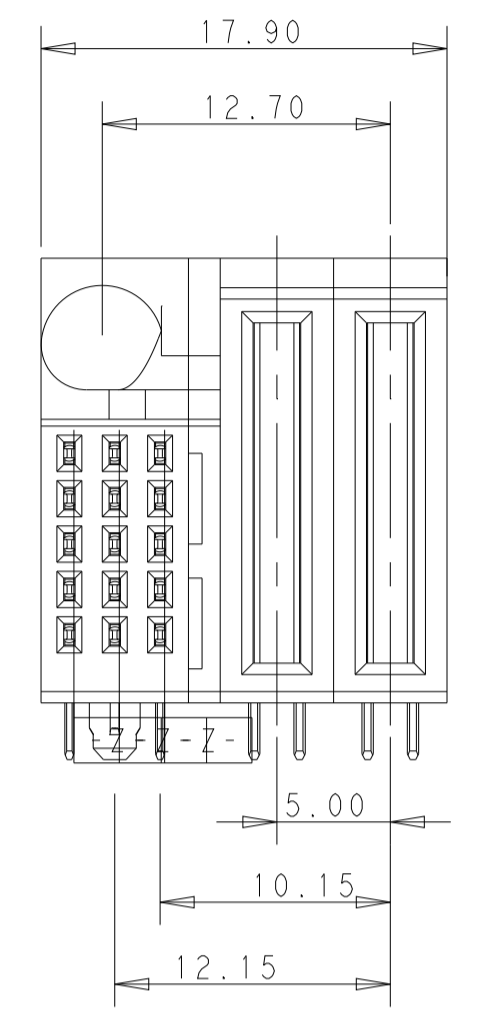
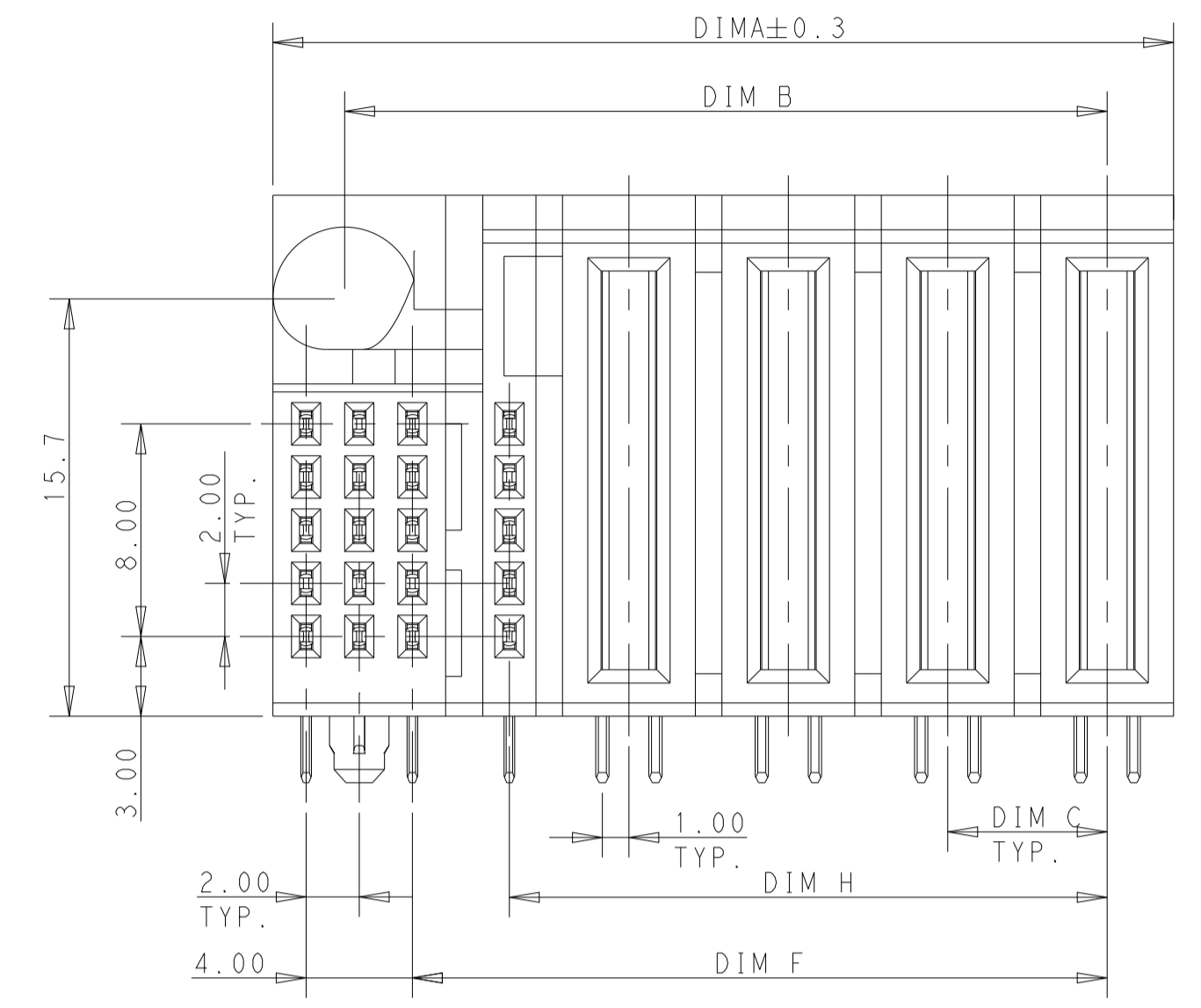


REVISIONS				
P	LTM	DESCRIPTION	DATE	APVD
A6		ECR-19-018617	29NOV2019	TZ SZ
A7		ECR-21-102182	28JUN2021	TZ SH



NOTES, UNLESS OTHERWISE SPECIFIED:
 1. "TE", PART NUMBER AND DATE CODE TO BE MARKED IN AREA SHOWN.
 2. MATERIAL:
 HOUSING - GLASS FILLED HIGH TEMP THERMO PLASTIC, COLOR: BLACK, UL94 V-0.
 SIGNAL CONTACT - HIGH CONDUCTIVITY COPPER ALLOY.
 POWER CONTACT - HIGH CONDUCTIVITY COPPER ALLOY.
 3. CONTACT PLATING:
 MATING AREA - NOBLE METAL OVERALL NICKEL
 TAIL SIDE AREA - MATTE TIN OVERALL NICKEL.
 4. MECHANICAL CONNECTOR KEEP OUT ZONE.
 5. DATUM AND BASIC DIMENSIONS ESTABLISHED BY CUSTOMER.
 6. PCB - ALL HOLE DIAMETERS ARE FINISHED HOLE SIZES.
 7. PCB HOLE:
 POWER - 1.15±0.025 MM DRILLED HOLES SIZE PLATING WITH 0.0076 MM MIN.
 Sn OVER 0.025-0.076 MM Cu PLATING TO ACHIEVE A 1.02 MM DIA. HOLE.
 SIGNAL - 0.835±0.025 MM DRILLED HOLES SIZE PLATING WITH 0.0076 MM MIN.
 Sn OVER 0.025-0.076 MM Cu PLATING TO ACHIEVE A 0.72 MM DIA. HOLE.
 8. THE UN-MATING DISTANCE IS 2.0MM FOR THE P/N:2204416-8

15.00	10.05	5.00	24.50	30.15	28.15	5.00	30.70	35.90	2P+2LP+2P+20S	2204416-8
-	-	-	-	32.15	30.15	5.00	32.70	38.15	15S+6P	2204416-7
-	6.00	5.00	34.50	40.15	38.15	6.00	40.70	61.40	3VMP+6VP+20S	2204416-6
-	-	-	-	12.15	10.15	5.00	12.70	17.90	2P+15S	2204416-5
15.00	10.05	5.00	24.50	30.15	28.15	5.00	30.70	35.90	2P+2LP+2P+20S	2204416-3
15.00	10.05	5.00	24.50	30.15	28.15	5.00	30.70	35.90	2P+2LP+2P+20S	2204416-2
-	-	-	22.50	28.15	26.15	6.00	28.70	33.90	4VP+20S	2204416-1
DIM M.	DIM E.	DIM D.	DIM H.	DIM G.	DIM F.	DIM C.	DIM B.	DIM A.	DESCRIPTION	PART NUMBER

PRELIMINARY PRELIMINARY PRELIMINARY

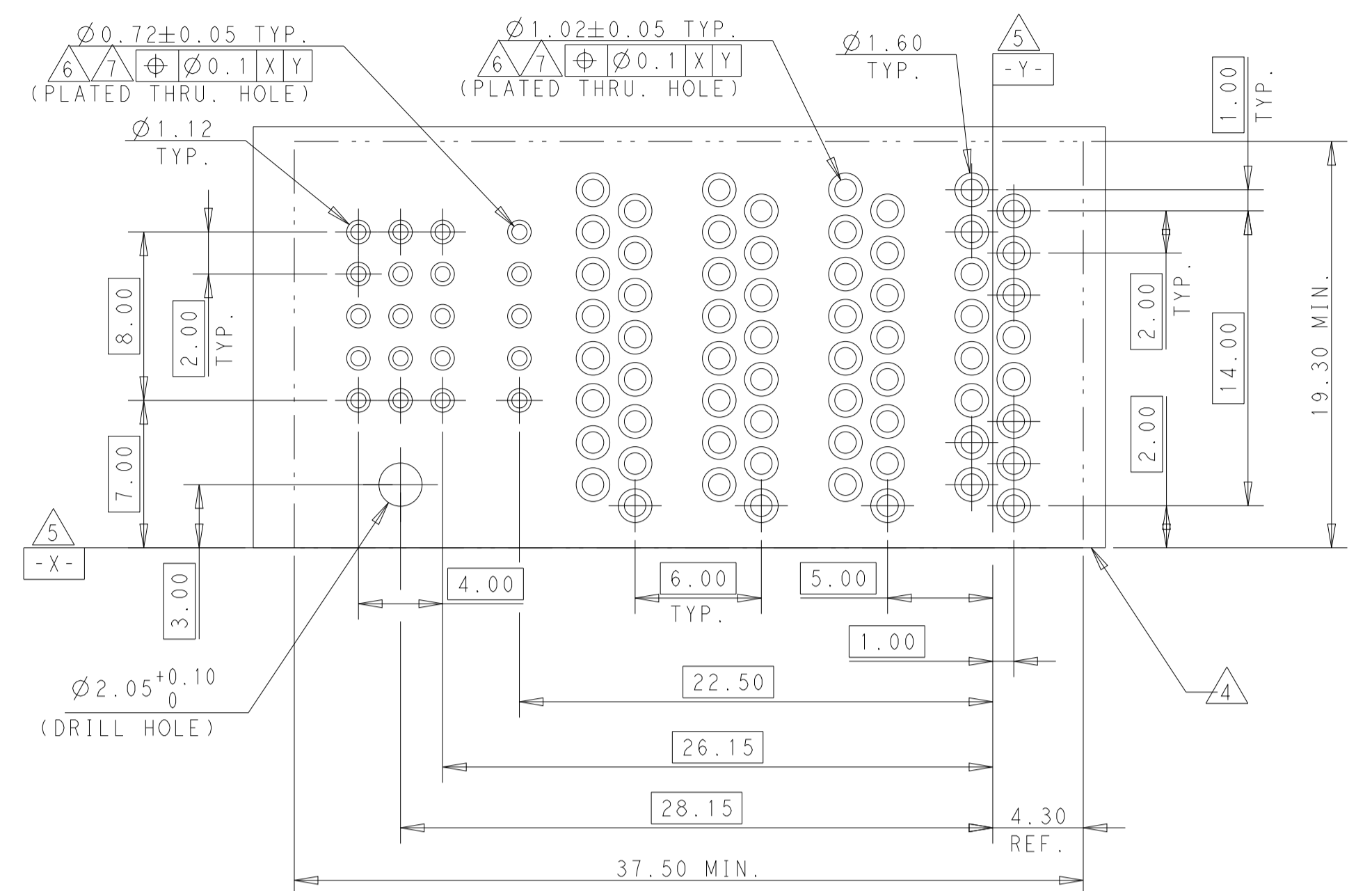
THIS DRAWING IS A CONTROLLED DOCUMENT. DIMENSIONS: mm. TOLERANCES UNLESS OTHERWISE SPECIFIED: 0 PLC ±0.4, 1 PLC ±0.4, 2 PLC ±0.25, 3 PLC ±0.15, 4 PLC ±. ANGLES: #. FINISH: #.

APVD: THOMAS ZHAO 27JULY2016, SUNY ZHAO 27JULY2016. NAME: SUNY ZHAO. PRODUCT SPEC: APPLICATION SPEC. SIZE: A1. CAGE CODE: DRAWING NO: C=2204416. WEIGHT: CUSTOMER DRAWING. SCALE: 4:1. SHEET 1 OF 3. REV A7.

TE TE Connectivity

CUSTOMER DRAWING R/A REC. WITH SINGLE GUIDE MULTI-BEAM HD SOLDER TYPE

REVISIONS				
P	LTN	DESCRIPTION	DATE	APPD
-	-	SEE SHEET 1	-	-



PART NUMBER	ROWS	SIGNAL			POWER			
		4	3	2	P4	P3	P2	P1
2204416-1	E	VT	VT	VT	PT	PT	PT	PT
	D	VT	VT	VT				
	C	VT	VT	VT				
	B	VT	VT	VT				
	A	VT	VT	VT				

4VP+20S

PART NUMBER	ROWS	SIGNAL			POWER			
		4	3	2	P4	P3	P2	P1
2204416-2	E	VT	VT	VT	PT	PT	LT1	PT
	D	VT	VT	VT			LT2	
	C	VT	VT	VT				
	B	VT	VT	VT				
	A	VT	VT	VT				

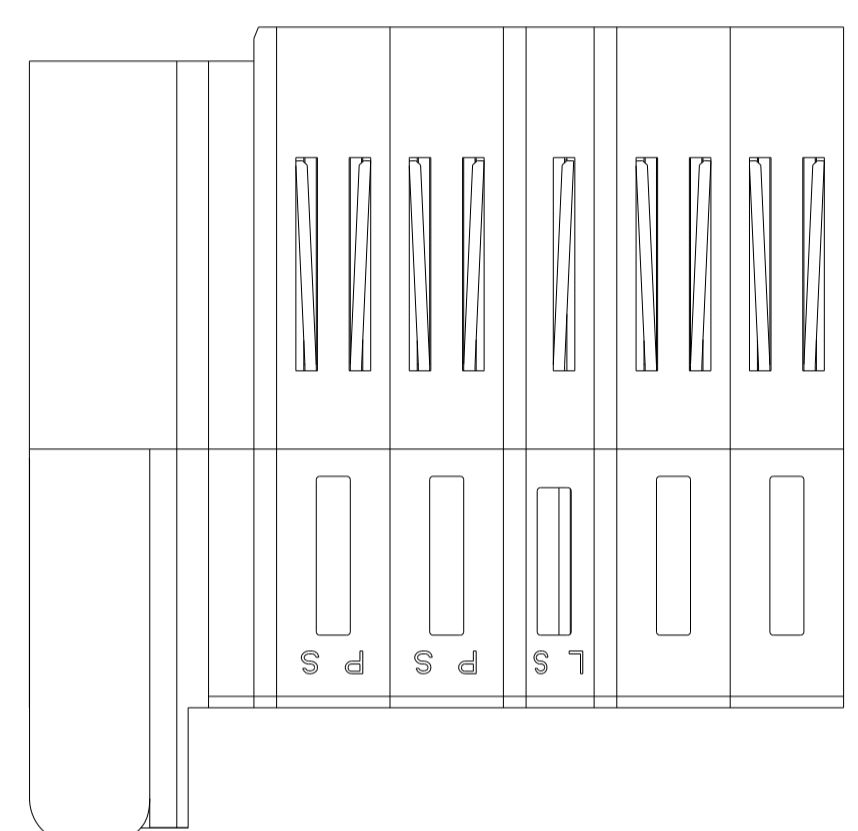
2P+2LP+2P+20S

PART NUMBER	ROWS	SIGNAL			POWER				
		4	3	2	P4	P3	LP	P2	P1
2204416-3	E	VT	VT	VT	PW	PW	LW1	PT	PT
	D	VT	VT	VT			LW2		
	C	VT	VT	VT					
	B	VT	VT	VT					
	A	VT	VT	VT					

2P+2LP+2P+20S

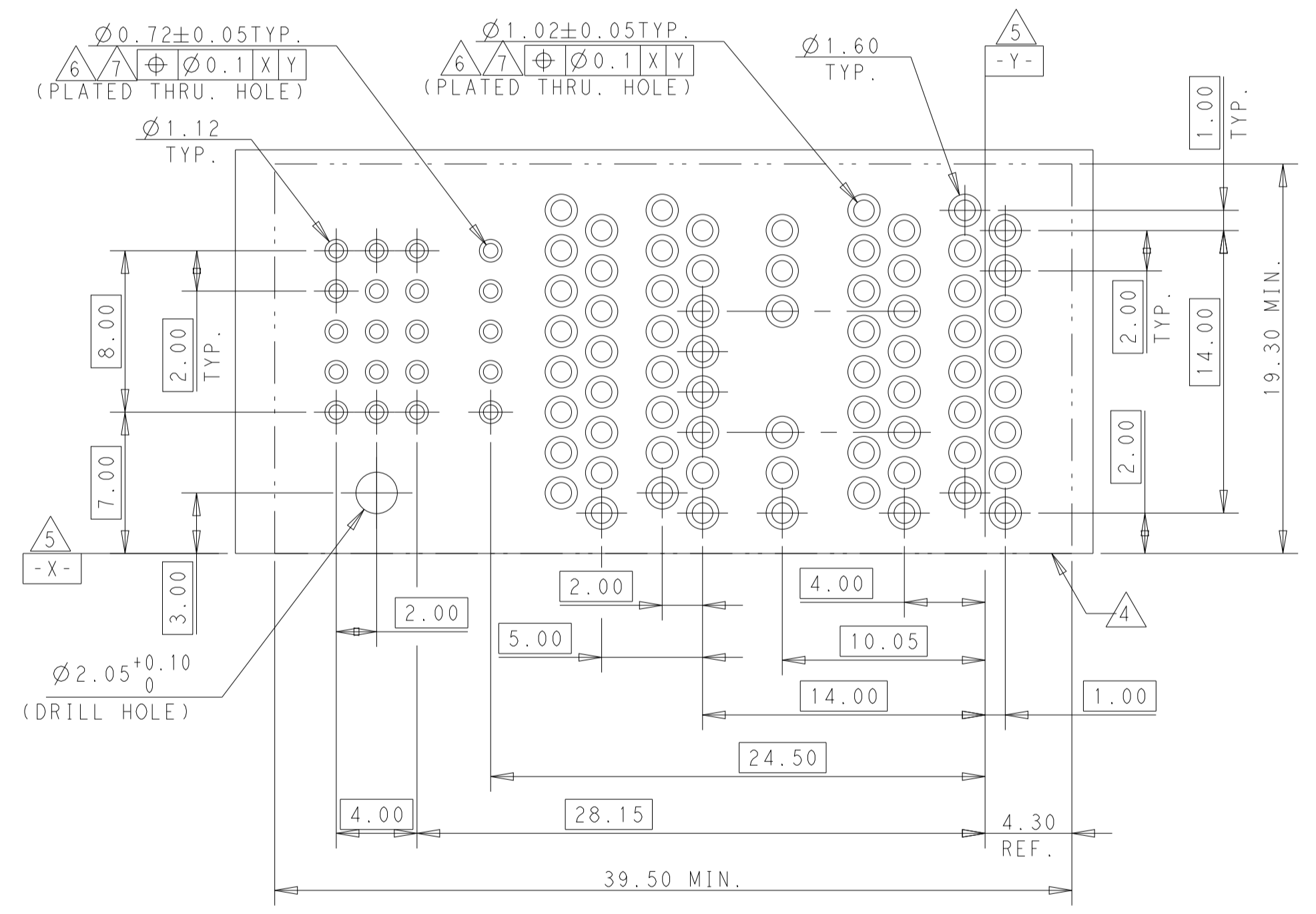
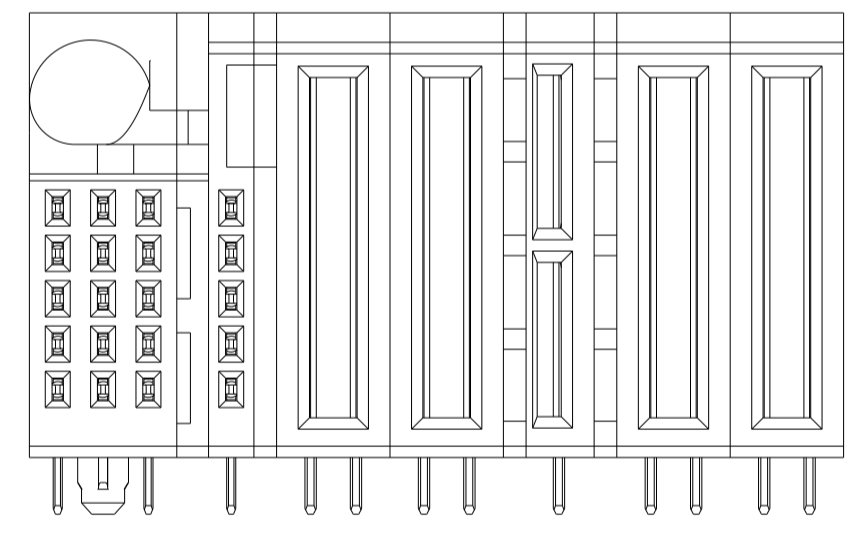
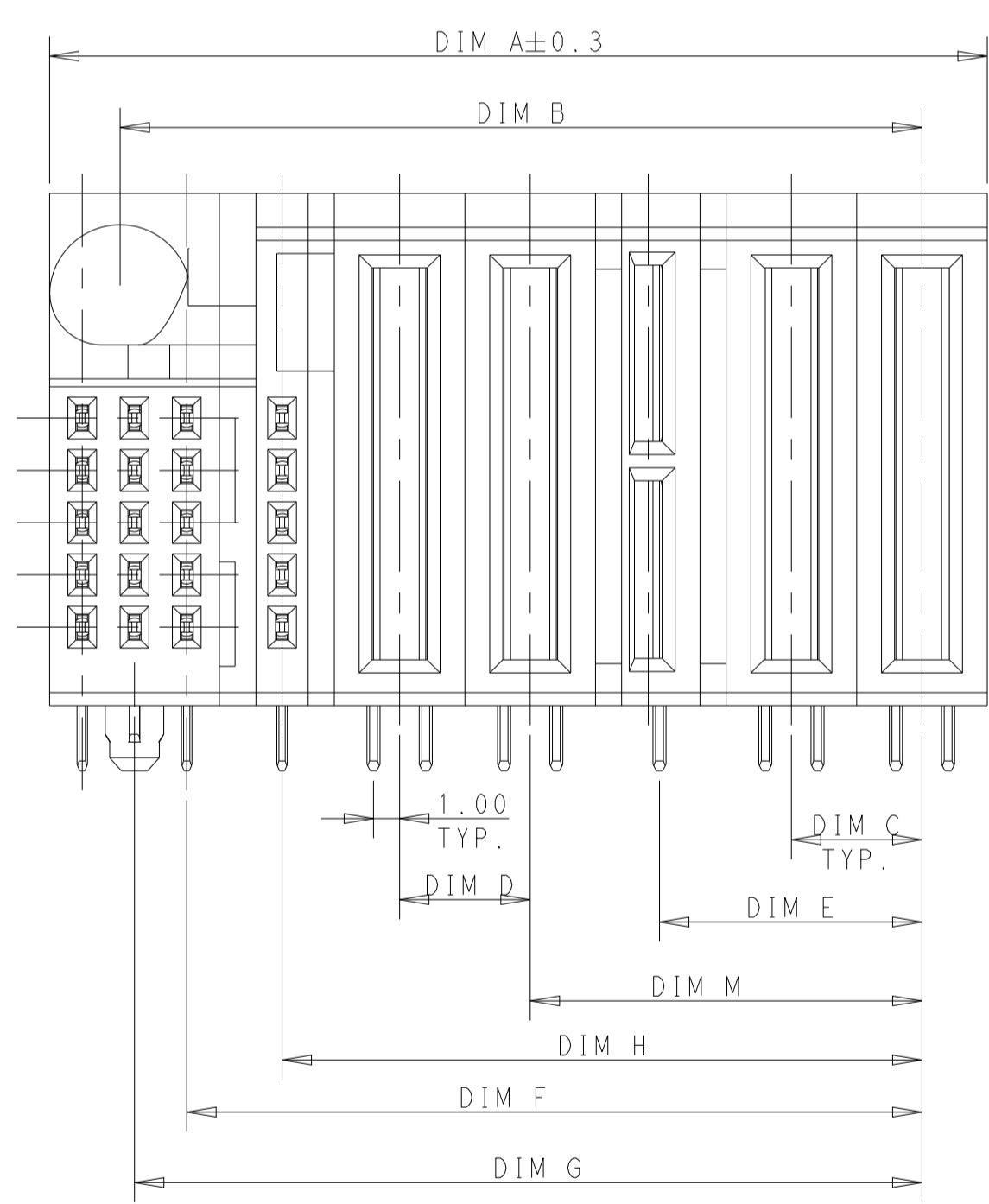
PART NUMBER	ROWS	SIGNAL			POWER								
		4	3	2	P6	P5	P4	P3	P2	P1	MP3	MP2	MP1
2204416-6	E	VT	VT	VT	PT	PT	PT	PT	PT	PT	MT	MT	MT
	D	VT	VT	VT									
	C	VT	VT	VT									
	B	VT	VT	VT									
	A	VT	VT	VT									

3VMP+6VP+20S



PART NUMBER	ROWS	SIGNAL			POWER				
		4	3	2	P4	P3	LP	P2	P1
2204416-8	E	VT	VT	VT	PL	PL	LL1	PG	PG
	D	VT	VT	VT			LL2		
	C	VT	VT	VT					
	B	VT	VT	VT					
	A	VT	VT	VT					

2P+2LP+2P+20S



MIDDLE POWER RIGHT CONTACT MFBL SOLDER	MT1
MIDDLE POWER LEFT CONTACT MFBL SOLDER	MT2
POWER CONTACT SOLDER MFBL EXTENDED UN-MATING	PG
POWER CONTACT SOLDER STANDARD EXTENDED UN-MATING	PL
POWER CONTACT SOLDER MFBL	PT
POWER CONTACT SOLDER STANDARD	PW
SIGNAL CONTACT SOLDER TYPE	ST
TOP LOW POWER CONTACT STANDARD EXTEND UN-MATING	LL1
BOTTOM LOW POWER CONTACT STANDARD EXTEND UN-MATING	LL2
TOP LOW POWER CONTACT STANDARD	LW1
BOTTOM LOW POWER CONTACT STANDARD	LW2
TOP LOW POWER CONTACT MFBL	LT1
BOTTOM LOW POWER CONTACT MFBL	LT2
I/M SIGNAL CONTACT SOLDER TYPE	VT
HP/SIGNAL WITH SIGNAL GUIDE	HOUSING
DESCRIPTION	CODE

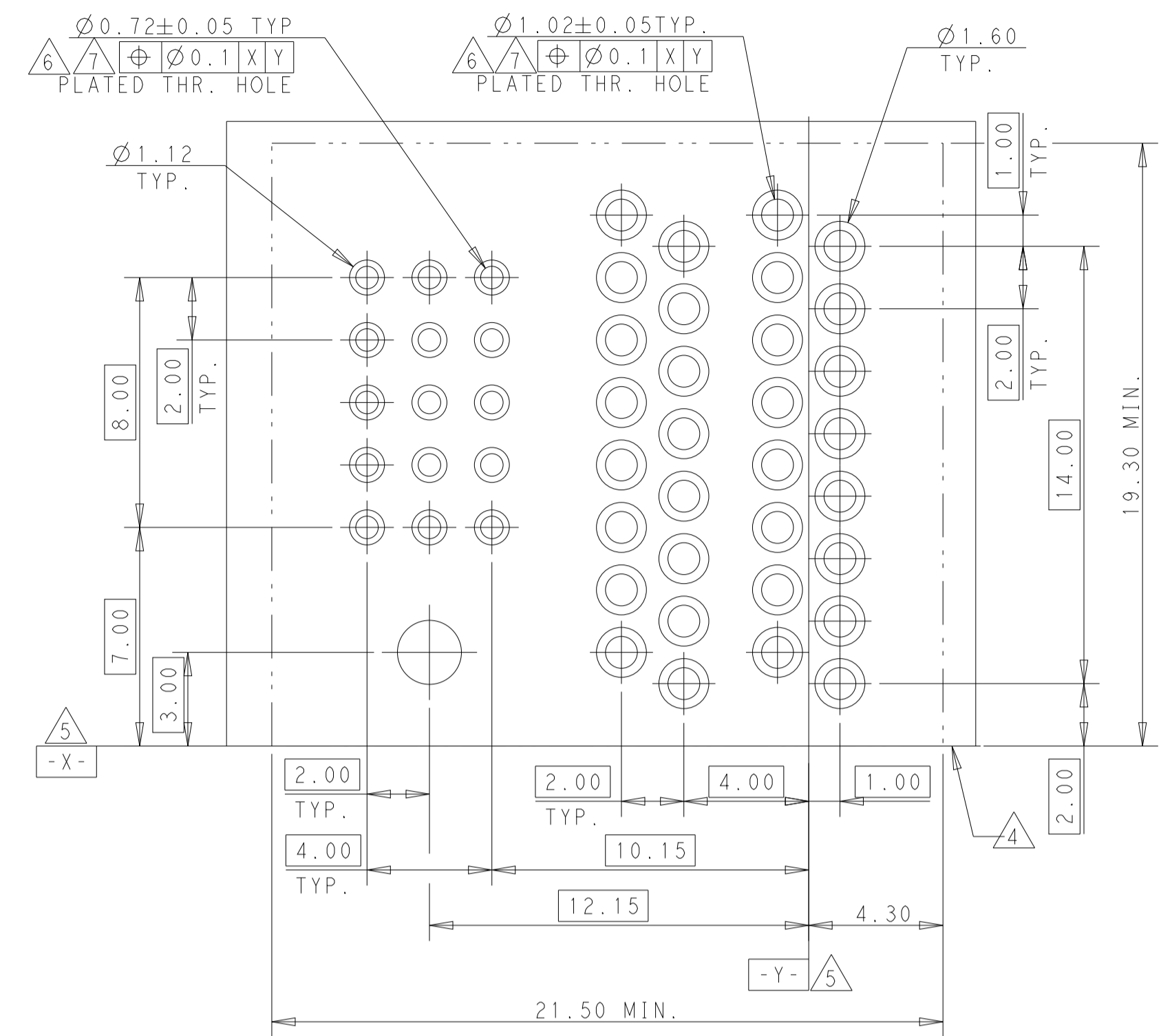
THIS DRAWING IS A CONTROLLED DOCUMENT. DWG: THOMAS ZHAO 27JULY2016
 CHK: SUNY ZHAO 27JULY2016
 APVD: SUNY ZHAO 27JULY2016

STE TE Connectivity

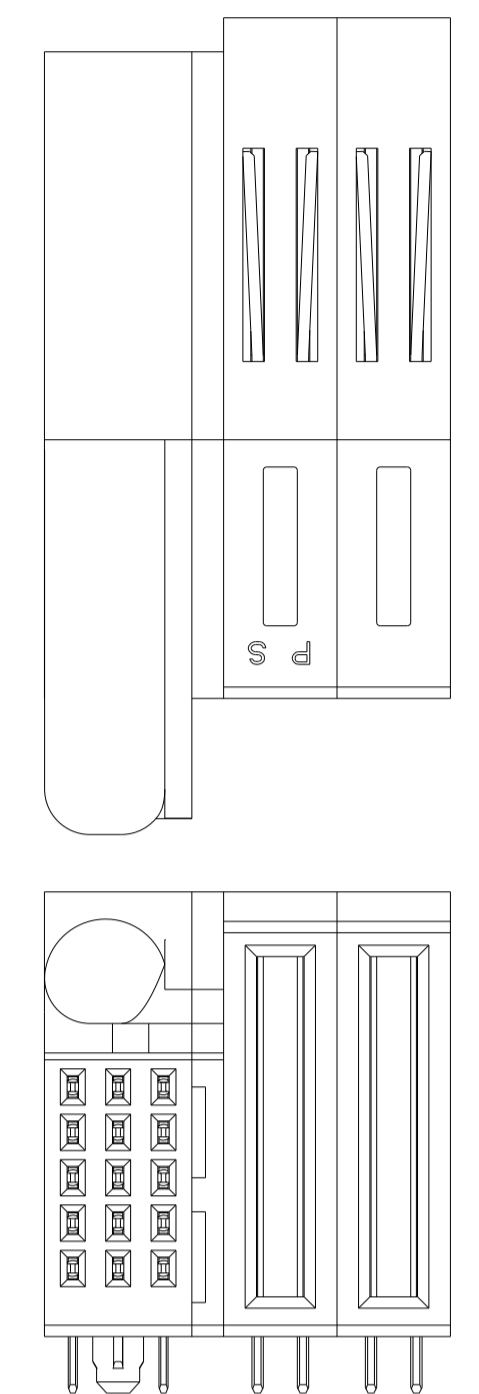
CUSTOMER DRAWING
 R/A REC. WITH SINGLE GUIDE
 MULTI-BEAM HD SOLDER TYPE

SIZE: A1 CAGE CODE: - DRAWING NO: C=2204416
 WEIGHT: - RESTRICTED TO: -
 CUSTOMER DRAWING SCALE: 3:1 SHEET: 2 OF 3 REV: A7

REVISIONS				
P	LTN	DESCRIPTION	DATE	APVD
-	-	SEE SHEET 1	-	-



THE PCB LAYOUT OF PART NUMBER: 2204416-5



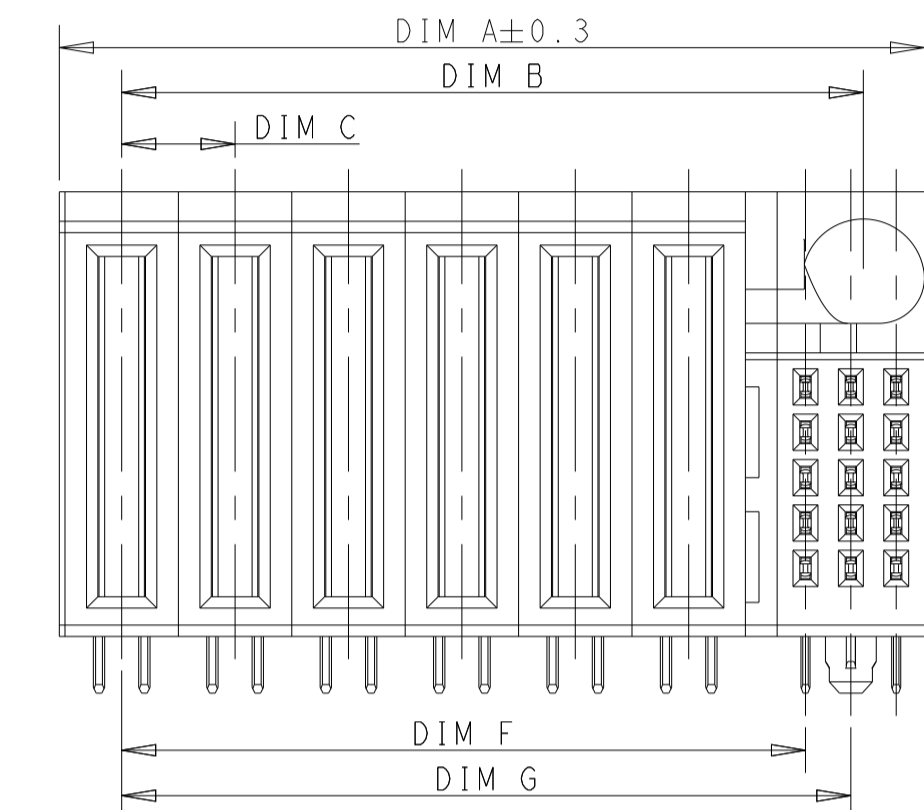
PART NUMBER: 2204416-5
DIMENSION REFER PAGE 1

PART NUMBER	ROWS	SIGNAL		POWER	
		3	2	P2	P1
2204416-5	E	ST	ST	PW	PT
	D	ST	ST		
	C	ST	ST		
	B	ST	ST		
	A	ST	ST		

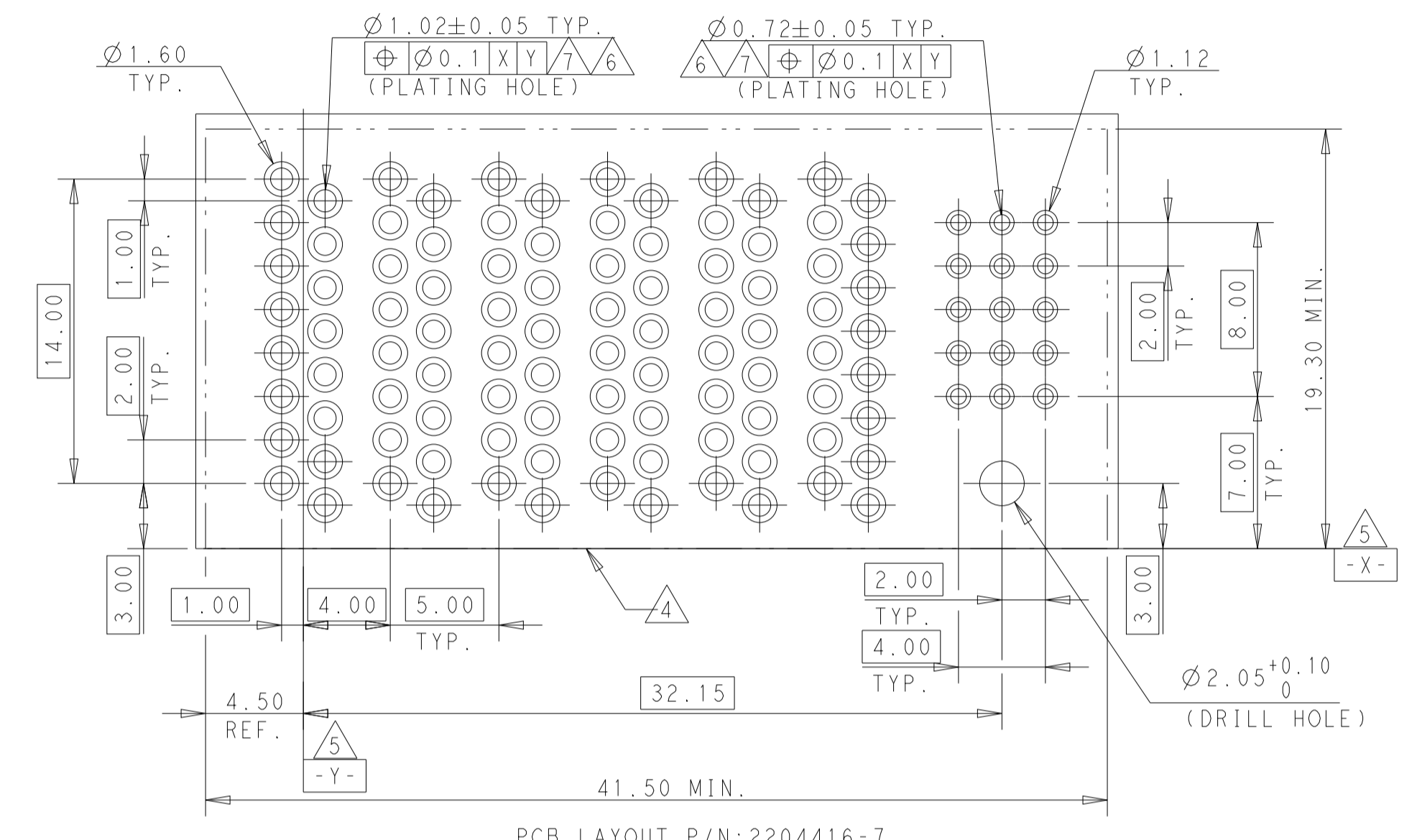
2P+15S

PART NUMBER	POWER					SIGNAL			ROWS	
	P6	P5	P4	P3	P2	P1	S3	S2		S1
2204416-7	PW	PW	PW	PT	PT	PT	VT	VT	VT	E
							VT	VT	VT	D
							VT	VT	VT	C
							VT	VT	VT	B
							VT	VT	VT	A

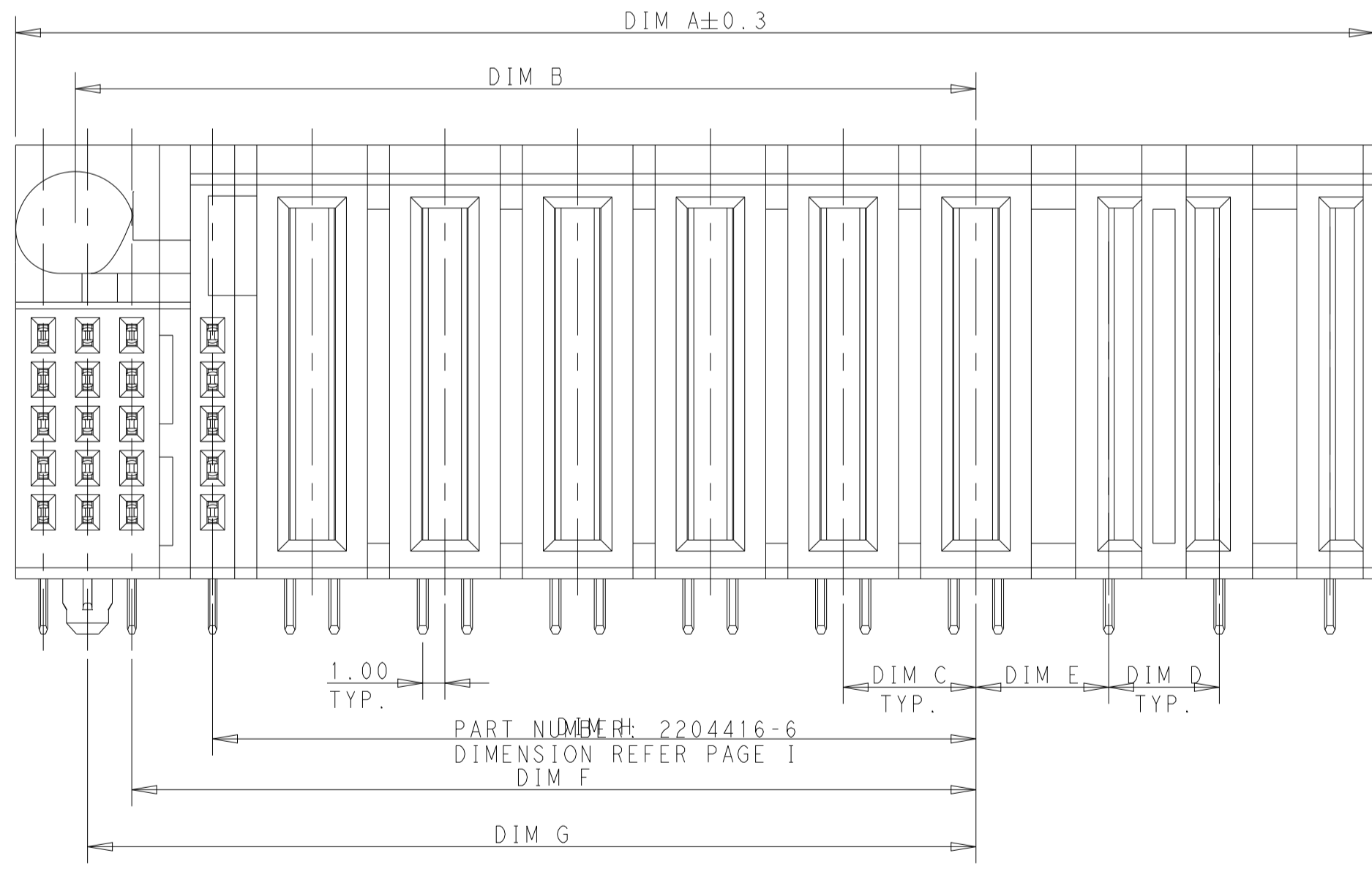
15S+6P



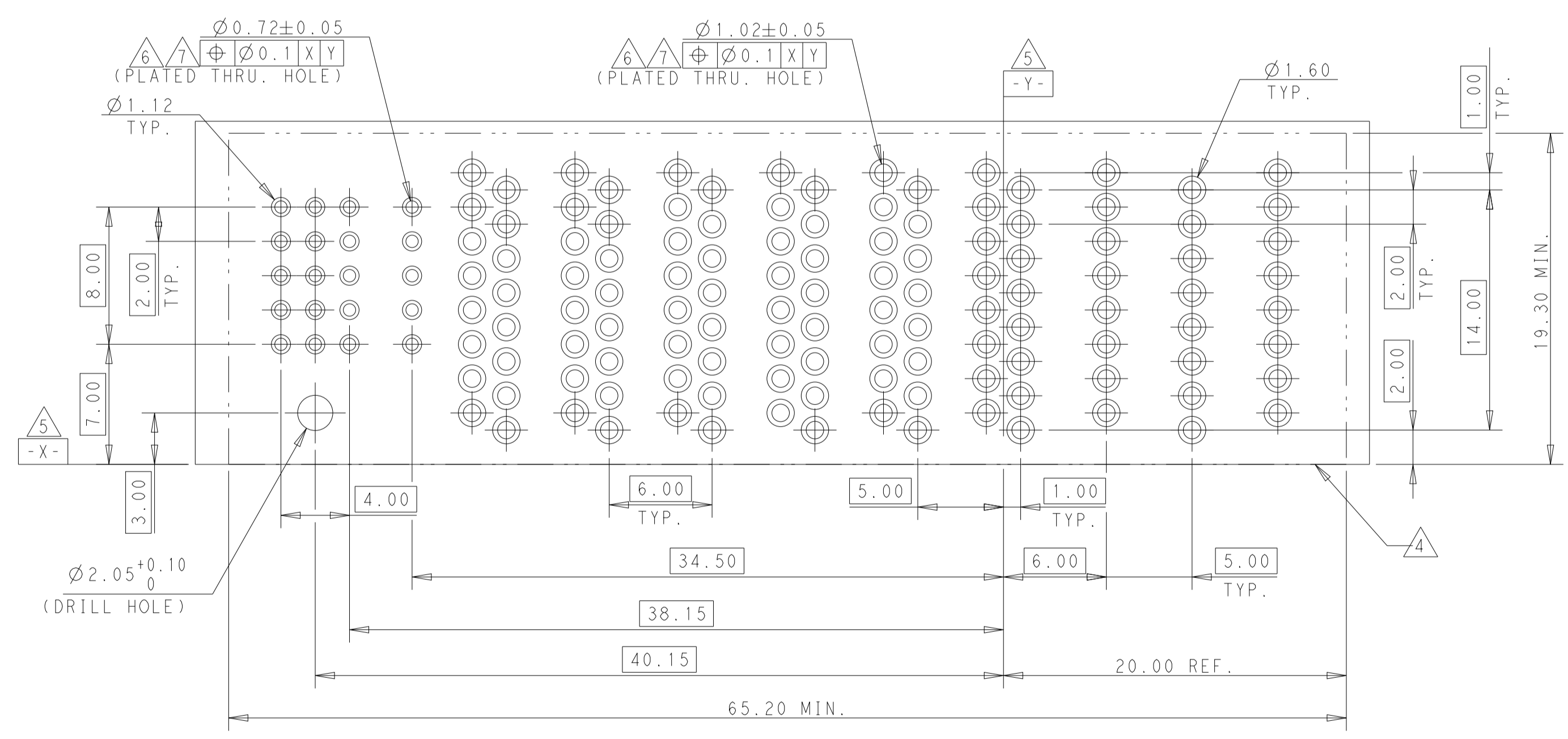
PART NUMBER: 2204416-7



PCB LAYOUT P/N: 2204416-7



PART NUMBER: 2204416-6
DIMENSION REFER PAGE 1



THE PCB LAYOUT OF PART NUMBER: 2204416-6

THIS DRAWING IS A CONTROLLED DOCUMENT.		OWN: THOMAS ZHAO 27JULY2016	 TE Connectivity
DIMENSIONS: mm		CHK: SUNY ZHAO 27JULY2016	
TOLERANCES UNLESS OTHERWISE SPECIFIED:		APVD: SUNY ZHAO 27JULY2016	NAME: CUSTOMER DRAWING
0 PLC ± 0.4		PRODUCT SPEC	R/A REC. WITH SINGLE GUIDE
1 PLC ± 0.4		APPLICATION SPEC	MULTI-BEAM HD SOLDER TYPE
2 PLC ± 0.25		SIZE: A1	RESTRICTED TO
3 PLC ± 0.15		CAGE CODE: C=2204416	
4 PLC \pm		SCALE: 4:1	SHEET 3 OF 3
ANGLES \pm		REV: A7	
FINISH			

X-ON Electronics

Largest Supplier of Electrical and Electronic Components

Click to view similar products for [Power to the Board](#) category:

Click to view products by [TE Connectivity](#) manufacturer:

Other Similar products are found below :

[6450171-4](#) [6450552-7](#) [6600323-8](#) [6643429-1](#) [6646040-2](#) [6651939-1](#) [6766604-1](#) [120959-1](#) [1393557-2](#) [1393532-2](#) [1393532-3](#) [1393532-4](#)
[1393557-1](#) [1600812-5](#) [1-6450861-2](#) [1744132-7](#) [1761122-1](#) [1766250-1](#) [1892109-1](#) [2-6450860-5](#) [2-6450870-0](#) [1-6450161-4](#) [1-6450850-6](#) [1-](#)
[6450869-6](#) [1645526-2](#) [1-6600130-0](#) [2005243-2](#) [377-0020-11130](#) [TE34-12-16P-F0](#) [51700-10201602AALF](#) [5-6450830-6](#) [5646956-4](#) [377-](#)
[0080-11131A](#) [4-6450830-9](#) [4-6600333-3](#) [10125416-4050LF](#) [10130248-005LF](#) [6600320-3](#) [3-6450860-5](#) [1888123-2](#) [6450166-1](#) [6643978-1](#)
[6766605-1](#) [701-15-02109](#) [N11444](#) [6651938-1](#) [6450810-7](#) [46437-1112](#) [1-1589677-8](#) [5646956-5](#)