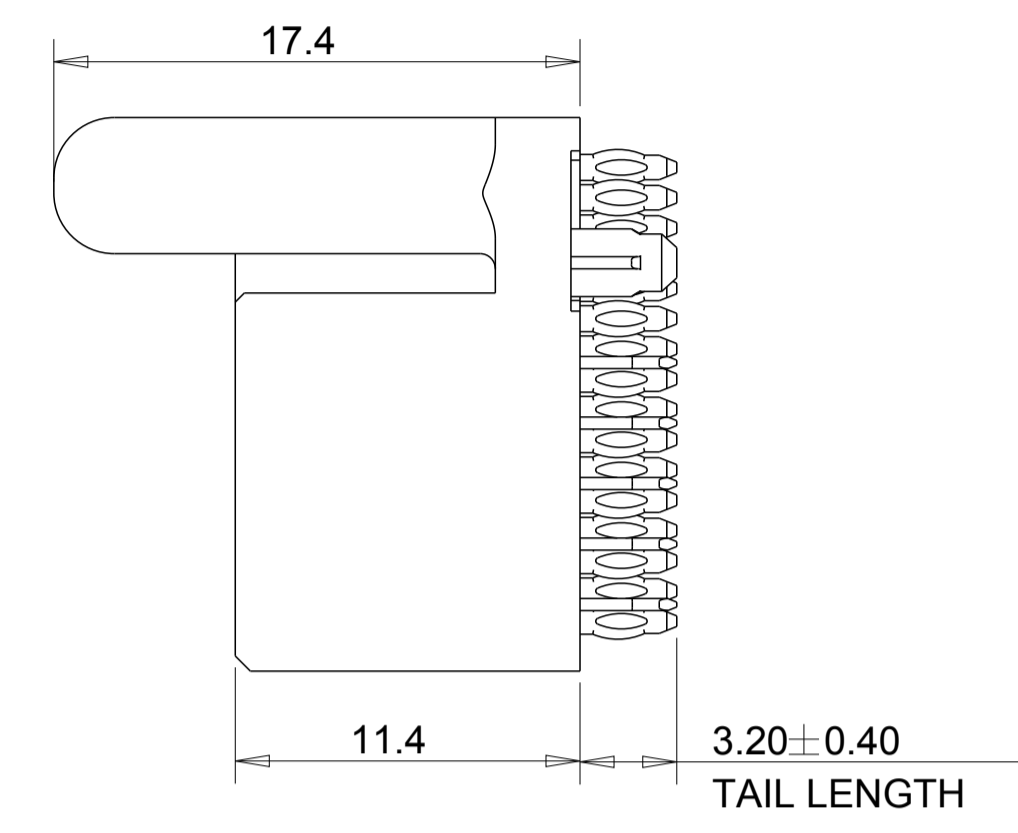
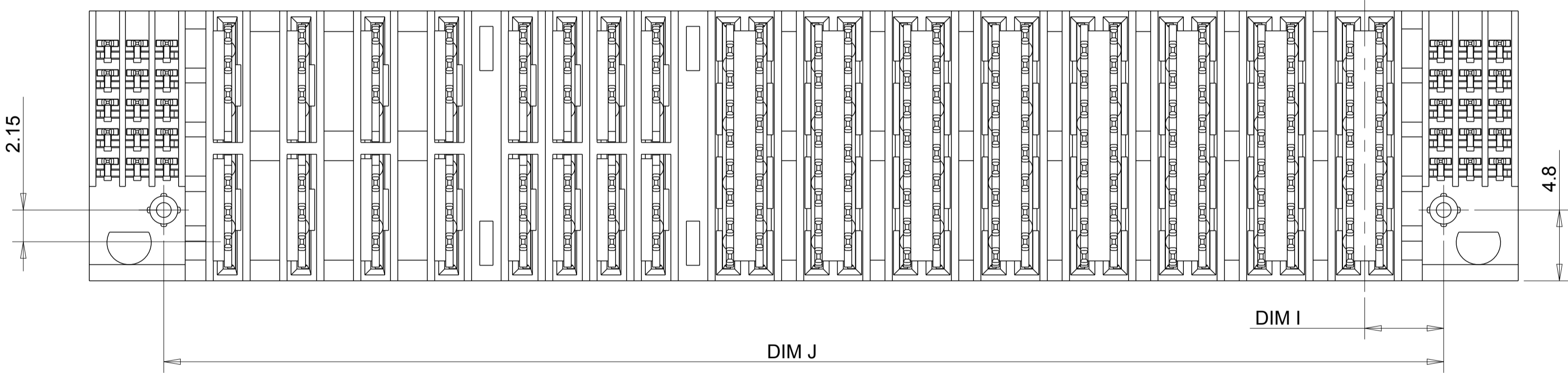
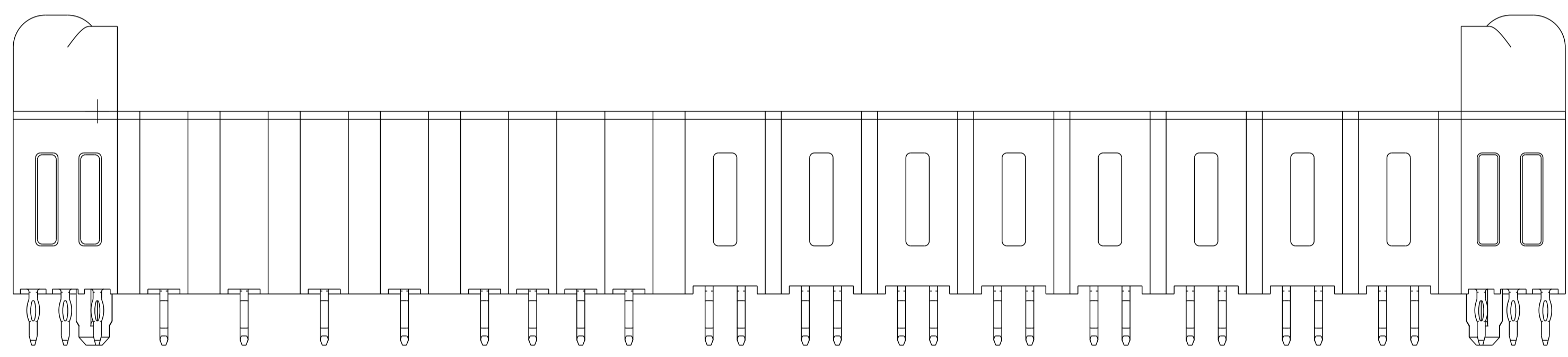
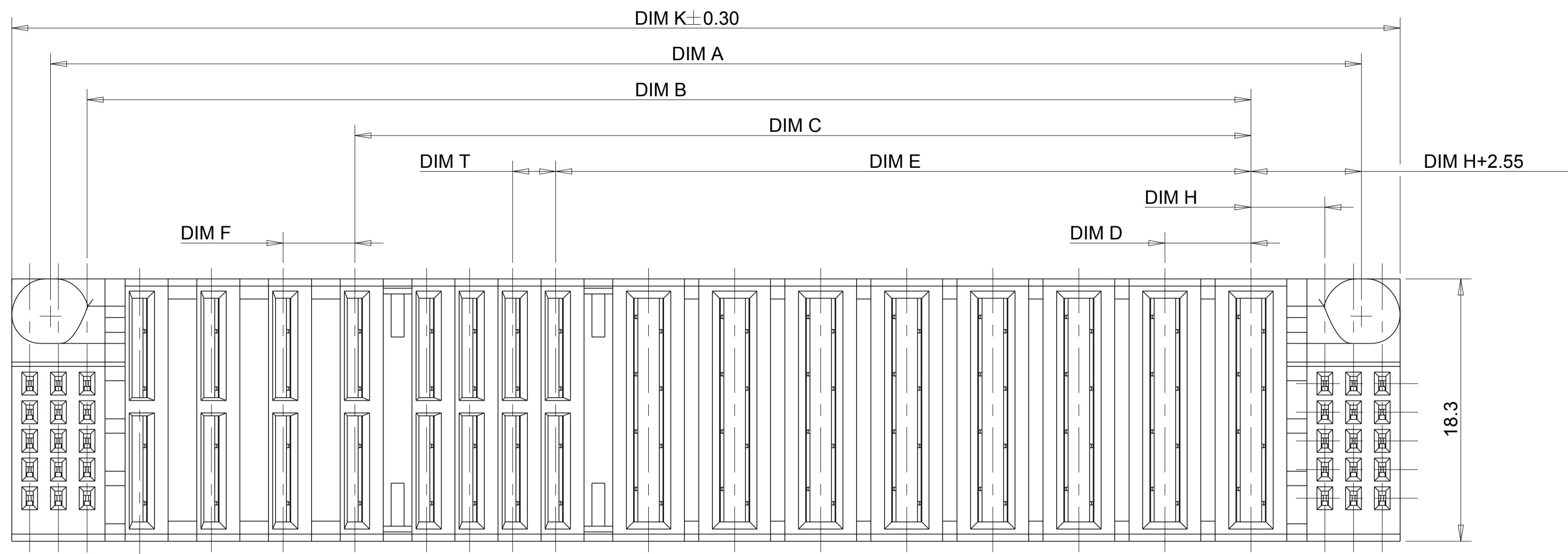
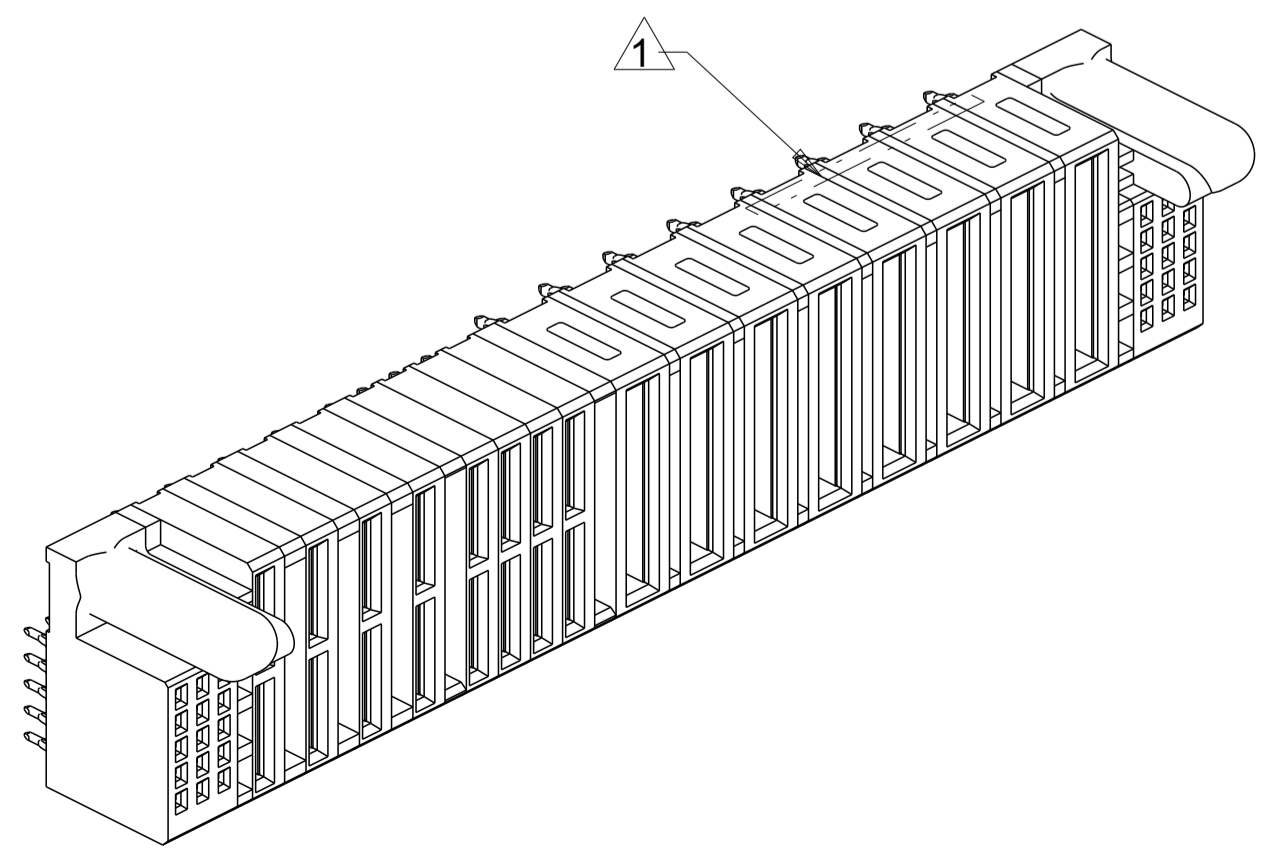


LOC		DIST		REVISIONS			
P	LTR	DESCRIPTION	DATE	DWN	APVD		
A1		ECR-16-012726	03NOV2016	TZ	SZ		
A2		ECR-16-017006	11JAN2017	TZ	SZ		



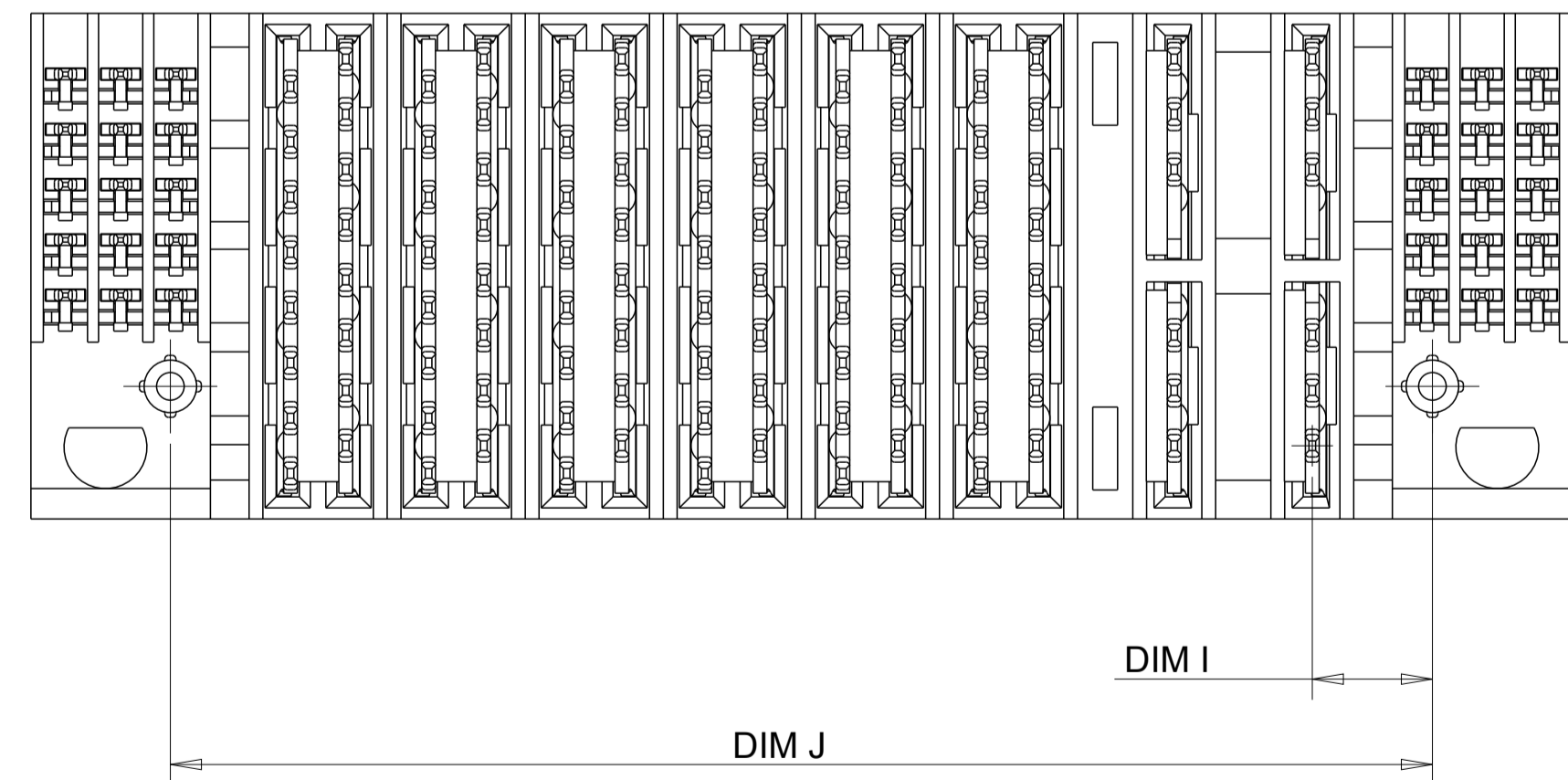
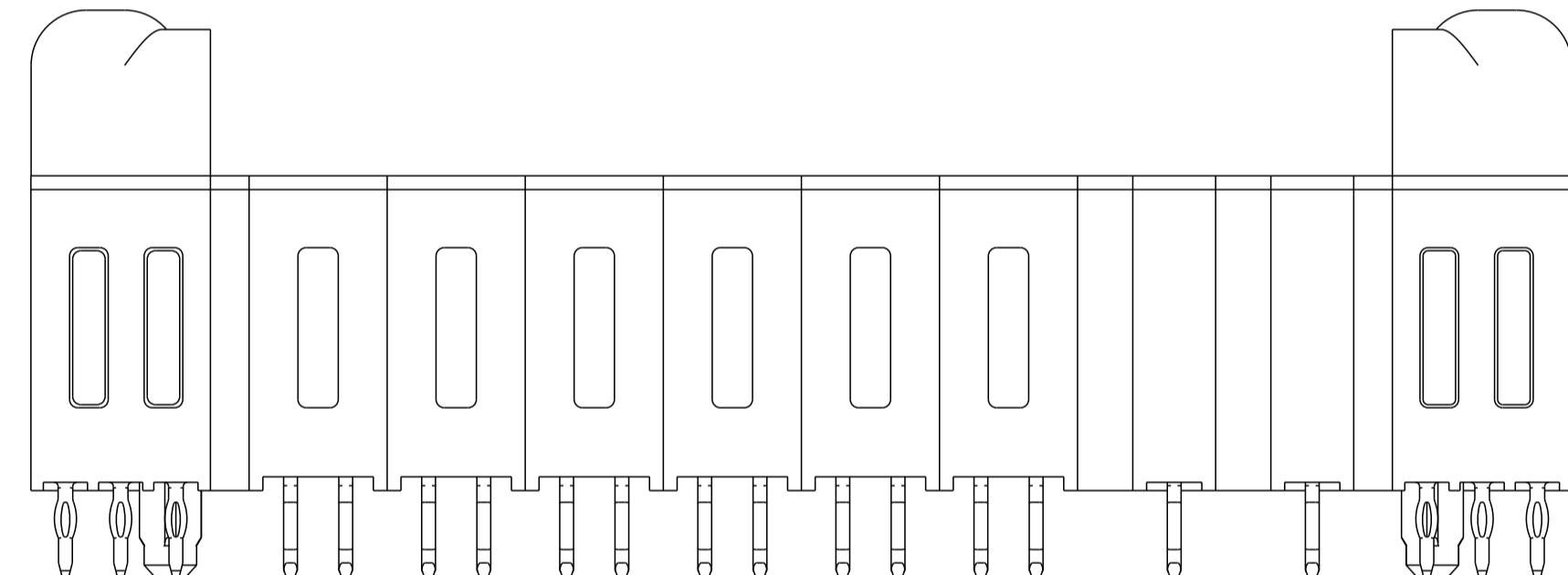
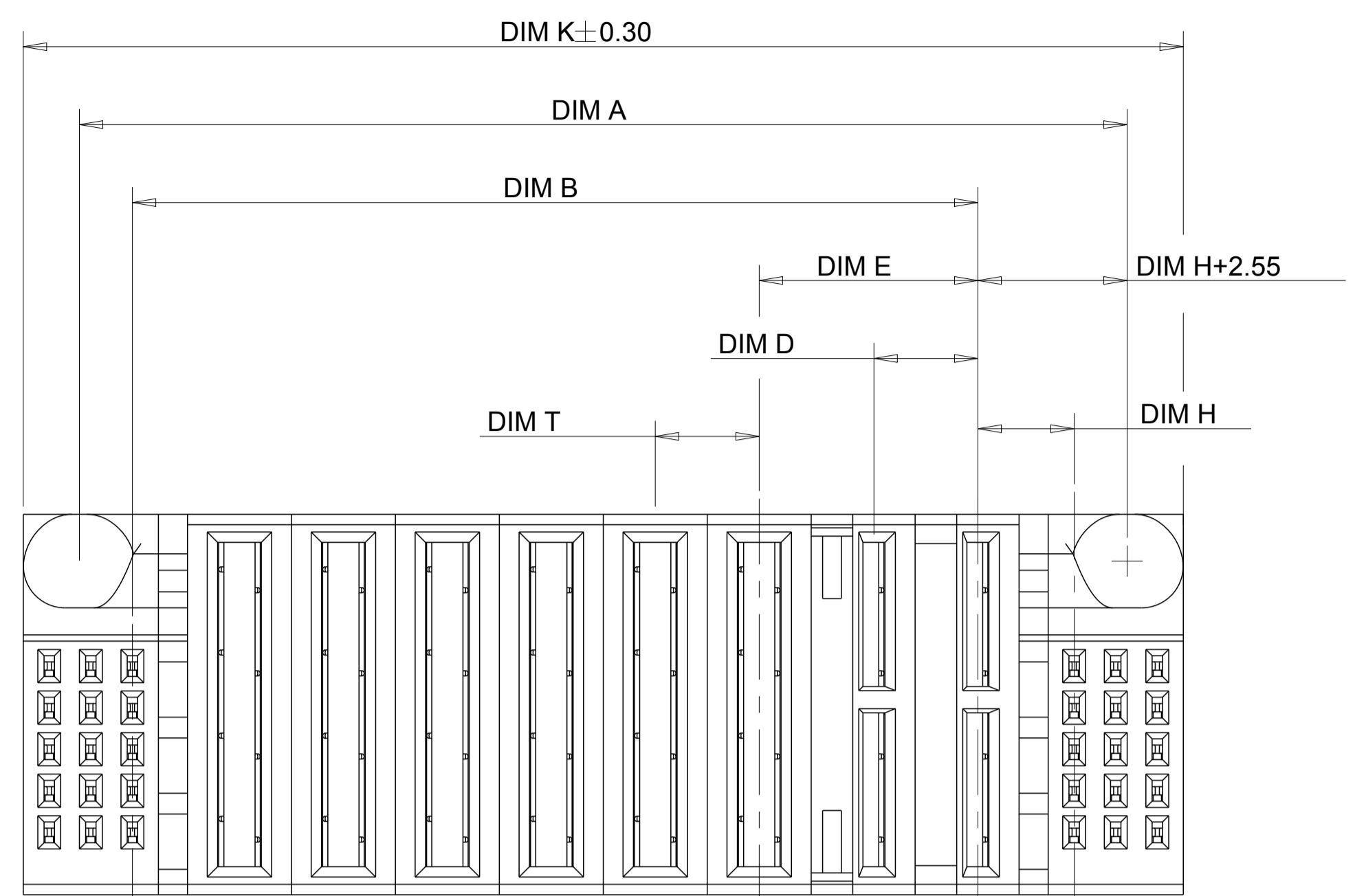
NOTES, UNLESS OTHERWISE SPECIFIED:

1. "TE", PART NUMBER AND DATE CODE TO BE MARKED IN AREA SHOWN.
2. MATERIAL:
 HOUSING - GLASS FILLED HIGH TEMP THERMO PLASTIC,
 COLOR: BLACK, UL94 V-0.
 SIGNAL CONTACT - HIGH CONDUCTIVITY COPPER ALLOY.
 POWER CONTACT - HIGH CONDUCTIVITY COPPER ALLOY.
3. CONTACT PLATING:
 MATING AREA - NOBLE METAL OVERALL NICKEL
 TAIL SIDE AREA - MATTE TIN OVERALL NICKEL.
4. MECHANICAL CONNECTOR KEEP OUT ZONE.
5. DATUM AND BASIC DIMENSIONS ESTABLISHED BY CUSTOMER.
6. PCB - ALL HOLE DIAMETERS ARE FINISHED HOLE SIZES.
7. PCB HOLE:
 POWER - 1.15 ± 0.025 MM DRILLED HOLES SIZE PLATING WITH 0.0076 MM MIN.
 Sn OVER 0.025~0.076 MM Cu PLATING TO ACHIEVE A 1.02 MM DIA. HOLE.
 SIGNAL - 0.835 ± 0.025 MM DRILLED HOLES SIZE PLATING WITH 0.0076 MM MIN.
 Sn OVER 0.025~0.076 MM Cu PLATING TO ACHIEVE A 0.72 MM DIA. HOLE.
8. CONFIGURATION "S+LP+P+S" REFER TO SHEET 2



THIS DRAWING IS A CONTROLLED DOCUMENT.		DWN THOMAS ZHAO 20AUG2013		
DIMENSIONS:		CHK SUNY ZHAO 20AUG2013		
mm	TOLERANCES UNLESS OTHERWISE SPECIFIED:	APVD SUNY ZHAO 20AUG2013	NAME CUSTOMER DRAWING PRESS FIT VERTICAL RECEPTACLE S+P+LP+S MULTI-BEAM HD CONNECTOR	
0 PLC	±	PRODUCT SPEC	APPLICATION SPEC	
1 PLC	±0.4	SIZE	CAGE CODE	DRAWING NO
2 PLC	±0.25	WEIGHT	A1 00779	C=2204422
3 PLC	±0.15	RESTRICTED TO	-	
4 PLC	±	SCALE	4:1	
ANGLES	±	SHEET	1 OF 6	
FINISH	±	REV	A2	
MATERIAL		CUSTOMER DRAWING		

LOC		DIST		REVISIONS			
P	LTR	DESCRIPTION	DATE	DWN	APVD		
-		SEE SHEET 1	-	-	-		

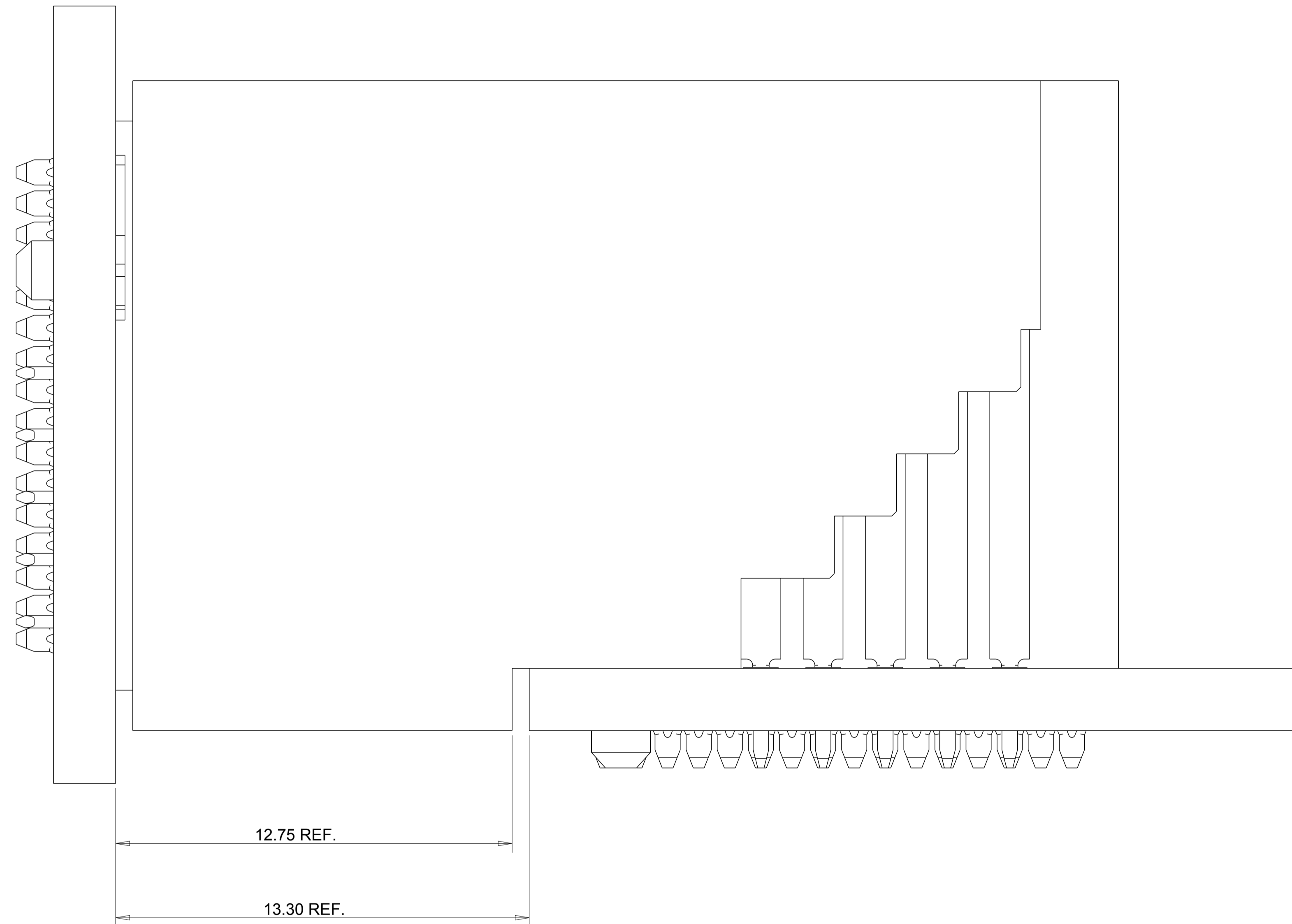


CONFIGURATION FOR "S+VLP+P+S"

THIS DRAWING IS A CONTROLLED DOCUMENT.		DWN THOMAS ZHAO 20AUG2013	
DIMENSIONS		CHK SUNY ZHAO 20AUG2013	
min	TOLERANCES UNLESS OTHERWISE SPECIFIED:	APVD SUNY ZHAO 20AUG2013	NAME CUSTOMER DRAWING PRESS FIT VERTICAL RECEPTACLE S+P+LP+S MULTI-BEAM HD CONNECTOR
	0 PLC ± 1 PLC ±0.4 2 PLC ±0.25 3 PLC ±0.15 4 PLC ± ANGLES ±	PRODUCT SPEC -	RESTRICTED TO -
MATERIAL	FINISH	APPLICATION SPEC -	SIZE A1
-	-	WEIGHT -	CAGE CODE 00779
-	-	CUSTOMER DRAWING	DRAWING NO 2204422
		SCALE 4:1	SHEET 2
		OF 6	REV A2

THIS DRAWING IS UNPUBLISHED
 RELEASED FOR PUBLICATION
 20
 © COPYRIGHT 20
 ALL RIGHTS RESERVED

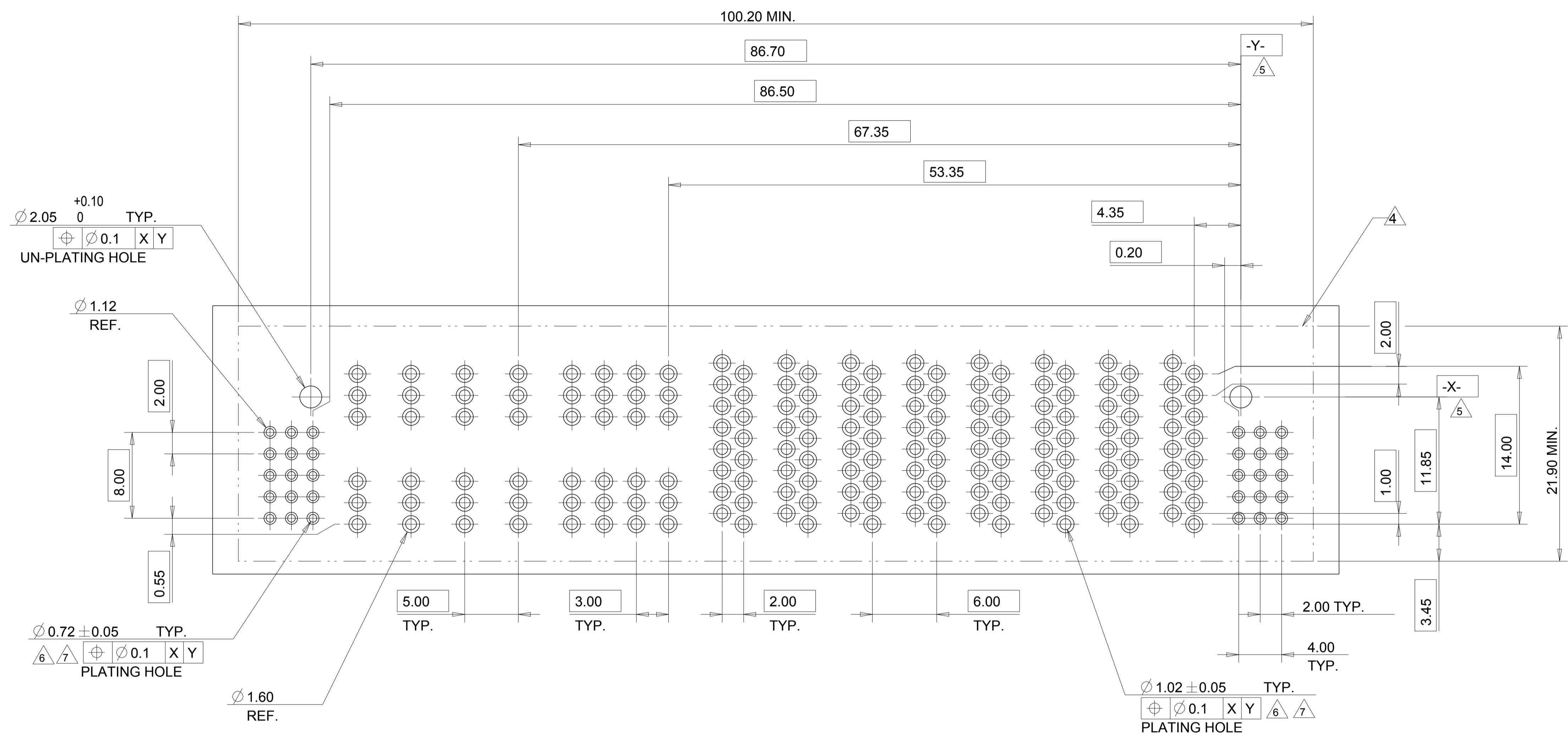
LOC		DIST		REVISIONS			
P	LTR	DESCRIPTION	DATE	DWN	APVD		
-	-	SEE SHEET 1	-	-	-		



THE DISTANCE IS 0.05 MM MATING FACE
 FROM R/A PLUG TO VERTICAL RECETPACLE.

THIS DRAWING IS A CONTROLLED DOCUMENT.		DWN THOMAS ZHAO 20AUG2013											
DIMENSIONS: mm		CHK SUNY ZHAO 20AUG2013											
TOLERANCES UNLESS OTHERWISE SPECIFIED:		APVD SUNY ZHAO 20AUG2013	NAME CUSTOMER DRAWING PRESS FIT VERTICAL RECEPTACLE S+P+LP+S MULTI-BEAM HD CONNECTOR										
<table border="1"> <tr><td>0 PLC</td><td>±</td></tr> <tr><td>1 PLC</td><td>±0.4</td></tr> <tr><td>2 PLC</td><td>±0.25</td></tr> <tr><td>3 PLC</td><td>±0.15</td></tr> <tr><td>4 PLC</td><td>±</td></tr> </table>		0 PLC	±	1 PLC	±0.4	2 PLC	±0.25	3 PLC	±0.15	4 PLC	±	PRODUCT SPEC	RESTRICTED TO
0 PLC	±												
1 PLC	±0.4												
2 PLC	±0.25												
3 PLC	±0.15												
4 PLC	±												
MATERIAL		APPLICATION SPEC	SIZE A1										
FINISH		WEIGHT	CAGE CODE 00779										
CUSTOMER DRAWING		SCALE 4:1	DRAWING NO 2204422										
		SHEET 3	OF 6										
		REV A2											

LOC	DIST	REVISIONS			
P	LTR	DESCRIPTION	DATE	DWN	APVD
-	-	SEE SHEET 1	-	-	-



PART NUMBER	ROWS	SIGNAL			POWER														SIGNAL				
		6	5	4	LP8	LP7	LP6	LP5	LP4	LP3	LP2	LP1	P8	P7	P6	P5	P4	P3	P2	P1	3	2	1
2204422-1	E	SM1	SM1	SM1	LM1	LM1	LM1	LM1	LM1	LM1	LM1	LM1	PM	PM	PM	PM	PM	PM	PM	PM	SM1	SM1	SM1
	D	SM1	SM1	SM1																	SM1	SM1	SM1
	C	SM1	SM1	SM1	LM2	LM2	LM2	LM2	LM2	LM2	LM2	LM2									SM1	SM1	SM1
	B	SM1	SM1	SM1																	SM1	SM1	SM1
	A	SM1	SM1	SM1																	SM1	SM1	SM1

15S + 8VP + 8LP + 8VLP + 15S

A2 VIEW REFER *-2
 VIEW REFER *-2
 VIEW REFER *-2

DIM A	DIM B	DIM C	DIM E	DIM D	DIM F	DIM T	DIM H	DIM I	DIM J	DIM K	DESCRIPTION	PART NUMBER
45.40	35.67	/	5.52	/	/	5.00	4.63	4.35	40.70	50.80	15S+2LP+4P+15S	2204422-6
45.40	35.67	/	/	/	/	/	4.63	/	40.70	50.80	15S+15S	2204422-5
45.40	35.67	/	5.52	/	/	5.00	4.63	4.35	40.70	50.80	15S+2LP+6P+15S	2204422-4
45.40	35.15	/	31.48	5.00	/	/	5.15	5.35	40.70	50.80	15S+6P+2LP+15S	2204422-3
50.40	40.67	/	10.52	5.00	/	5.00	4.63	4.35	45.70	55.80	15S+4VLP+6P+15S	2204422-2
91.40	81.15	62.48	48.48	6.00	5.00	3.00	5.15	5.35	86.70	96.80	15S+8VP+8LP+8VLP+15S	2204422-1

SIGNAL CONTACT PRESS FIT	SM1
LP TOP CONTACT MFBL PRESS FIT	LM1
LP BOTTOM CONTACT MFBL PRESS FIT	LM2
POWER CONTACT MFBL PRESS FIT	PM
DESCRIPTION	IDENTIFIER

THIS DRAWING IS A CONTROLLED DOCUMENT.

DIMENSIONS: mm

TOLERANCES UNLESS OTHERWISE SPECIFIED:

0 PLC	±	0.4
1 PLC	±	0.25
2 PLC	±	0.15
3 PLC	±	0.1
4 PLC	±	0.05

FINISH: ANGLES

MATERIAL: -

DATE: 20AUG2013

DWN: THOMAS ZHAO

CHK: SUNY ZHAO

APVD: SUNY ZHAO

PRODUCT SPEC: -

APPLICATION SPEC: -

WEIGHT: -

CUSTOMER DRAWING

SCALE: 4:1

SHEET: 4 OF 6

REV: A2

RESTRICTED TO: -

SIZE: A1

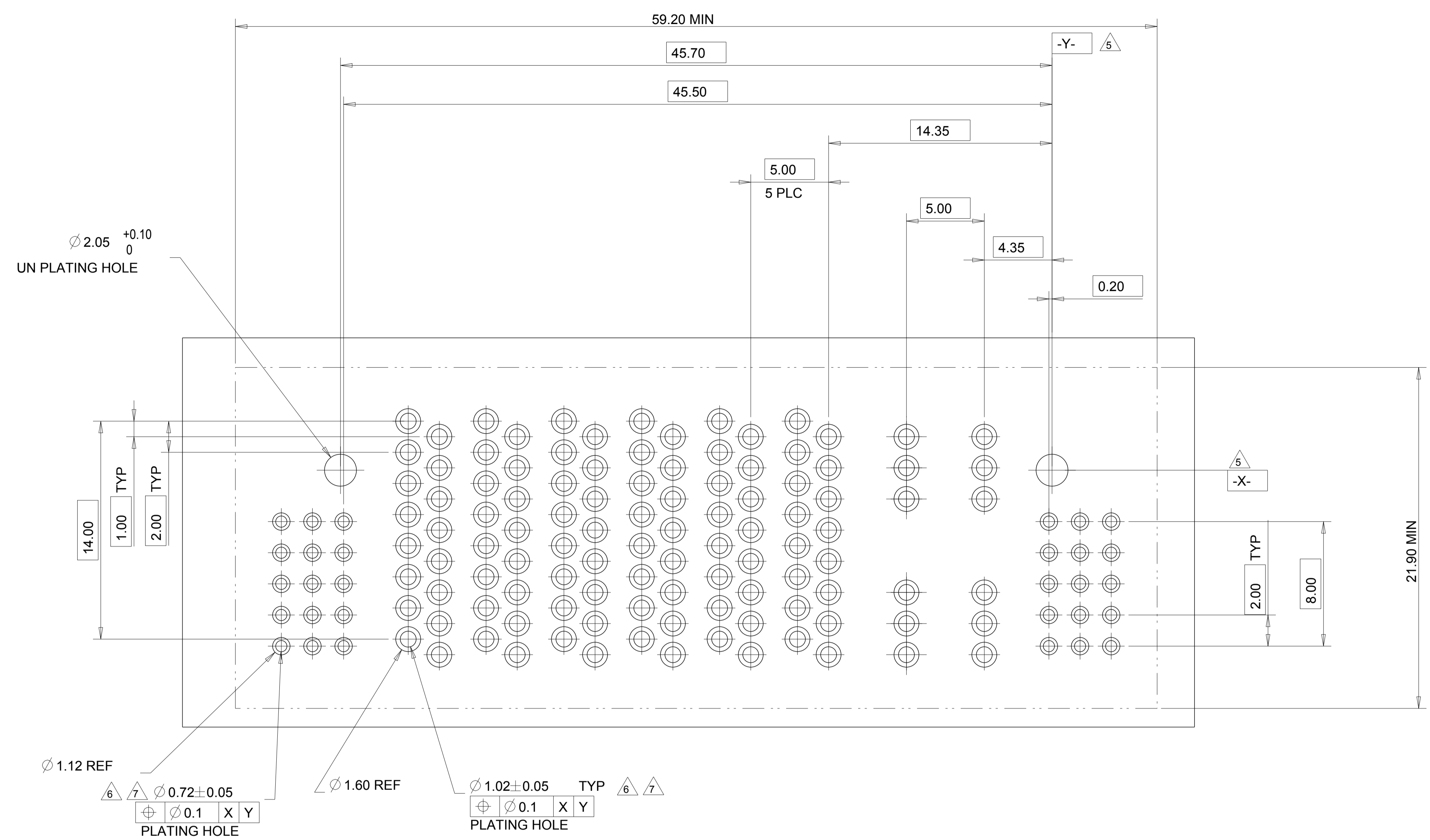
CAGE CODE: 00779

DRAWING NO: 2204422

NAME: CUSTOMER DRAWING PRESS FIT VERTICAL RECEPTACLE S+P+LP+S MULTI-BEAM HD CONNECTOR

TE Connectivity

LOC	DIST	REVISIONS			
P	LTR	DESCRIPTION	DATE	DWN	APPD
-	-	SEE SHEET 1	-	-	-



PART NUMBER	ROWS	SIGNAL			POWER							SIGNAL					
		6	5	4	P6	P5	P4	P3	P2	P1	LP2	LP1	3	2	1		
2204422-2	E	SM	SM	SM	PM	PM	PM	PM	PM	PM	LM1	LM1	SM	SM	SM		
	D	SM	SM	SM									SM	SM	SM		
	C	SM	SM	SM									LM2	LM2	SM	SM	SM
	B	SM	SM	SM									SM	SM	SM		
	A	SM	SM	SM									SM	SM	SM		

15S+4VLP+6P+15S

THIS DRAWING IS A CONTROLLED DOCUMENT.

DWN: THOMAS ZHAO 20AUG2013
 CHK: SUNY ZHAO 20AUG2013
 APD: SUNY ZHAO 20AUG2013

NAME: CUSTOMER DRAWING PRESS FIT VERTICAL RECEPTACLE S+P+LP+S MULTI-BEAM HD CONNECTOR

SIZE: A1 CAGE CODE: 00779 DRAWING NO: 2204422

SCALE: 4:1 SHEET 5 OF 6 REV A2

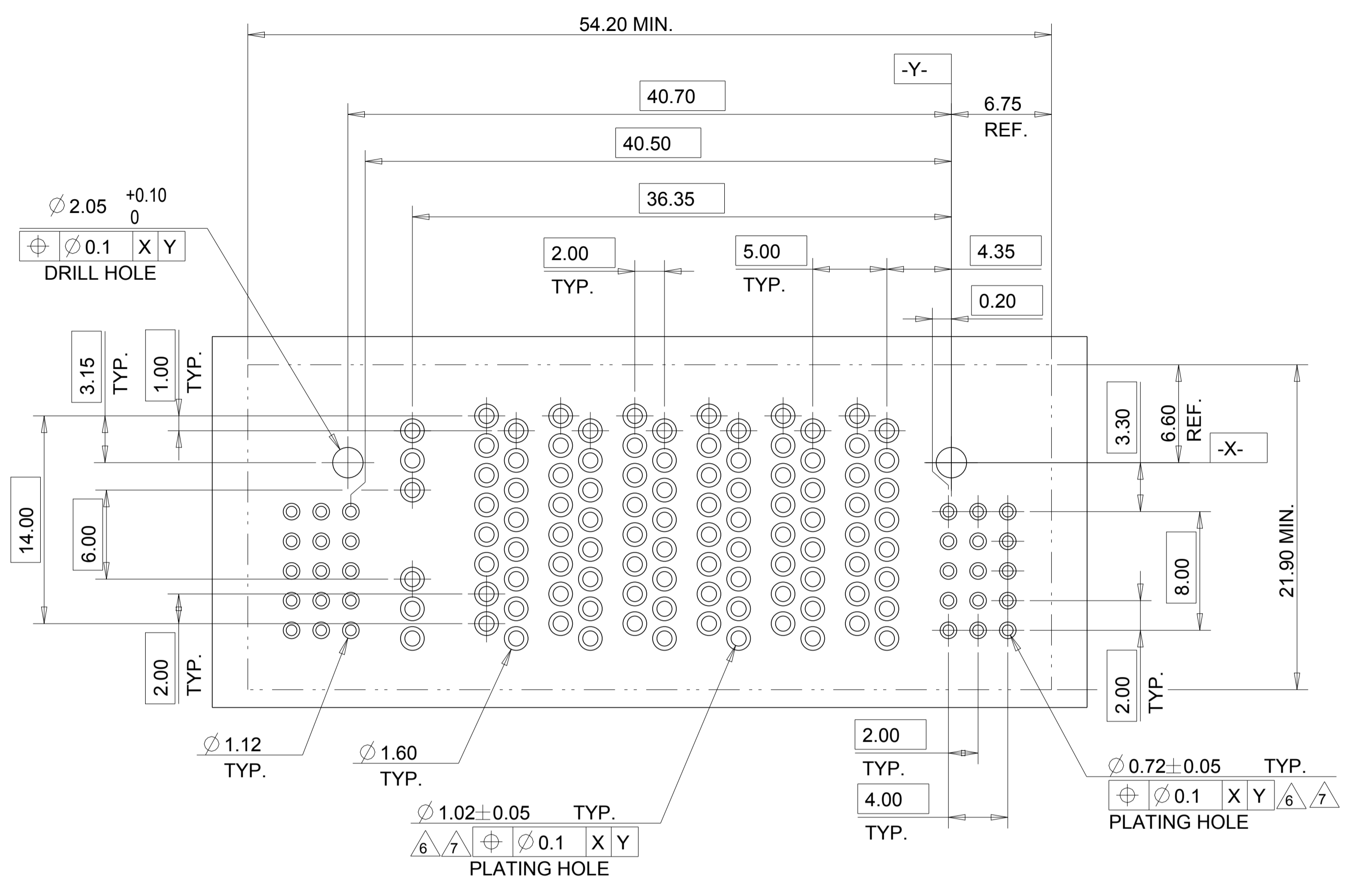
TE Connectivity

DIMENSIONS	TOLERANCES UNLESS OTHERWISE SPECIFIED:
mm	0 PLC ±0.4
	1 PLC ±0.25
	3 PLC ±0.15
	4 PLC ±0.15
	ANGLES ±0.5

MATERIAL: - FINISH: - WEIGHT: - RESTRICTED TO: -

CUSTOMER DRAWING

LOC		DIST		REVISIONS			
P	LTR	DESCRIPTION		DATE	DWN	APVD	
-	-	SEE SHEET 1		-	-	-	



PART NUMBER	ROWS	SIGNAL				POWER						SIGNAL			
		6	5	4		LPI	P6	P5	P4	P3	P2	PI	3	2	1
2204422-3	E	SM	SM	SM	SM										
	D	SM	SM	SM	SM	PM	PM	PM	PM	PM	PM	SM	SM	SM	
	C	SM	SM	SM	SM							SM	SM	SM	
	B	SM	SM	SM	SM							SM	SM	SM	
	A	SM	SM	SM	SM							SM	SM	SM	

15S+6P+2LP+15S

PART NUMBER	ROWS	SIGNAL				POWER						SIGNAL			
		6	5	4		P6	P5	P4	P3	P2	PI	LPI	3	2	1
2204422-4	E	SM	SM	SM	SM										
	D	SM	SM	SM	SM	PM	PM	PM	PM	PM	PM	SM	SM	SM	
	C	SM	SM	SM	SM							SM	SM	SM	
	B	SM	SM	SM	SM							SM	SM	SM	
	A	SM	SM	SM	SM							SM	SM	SM	

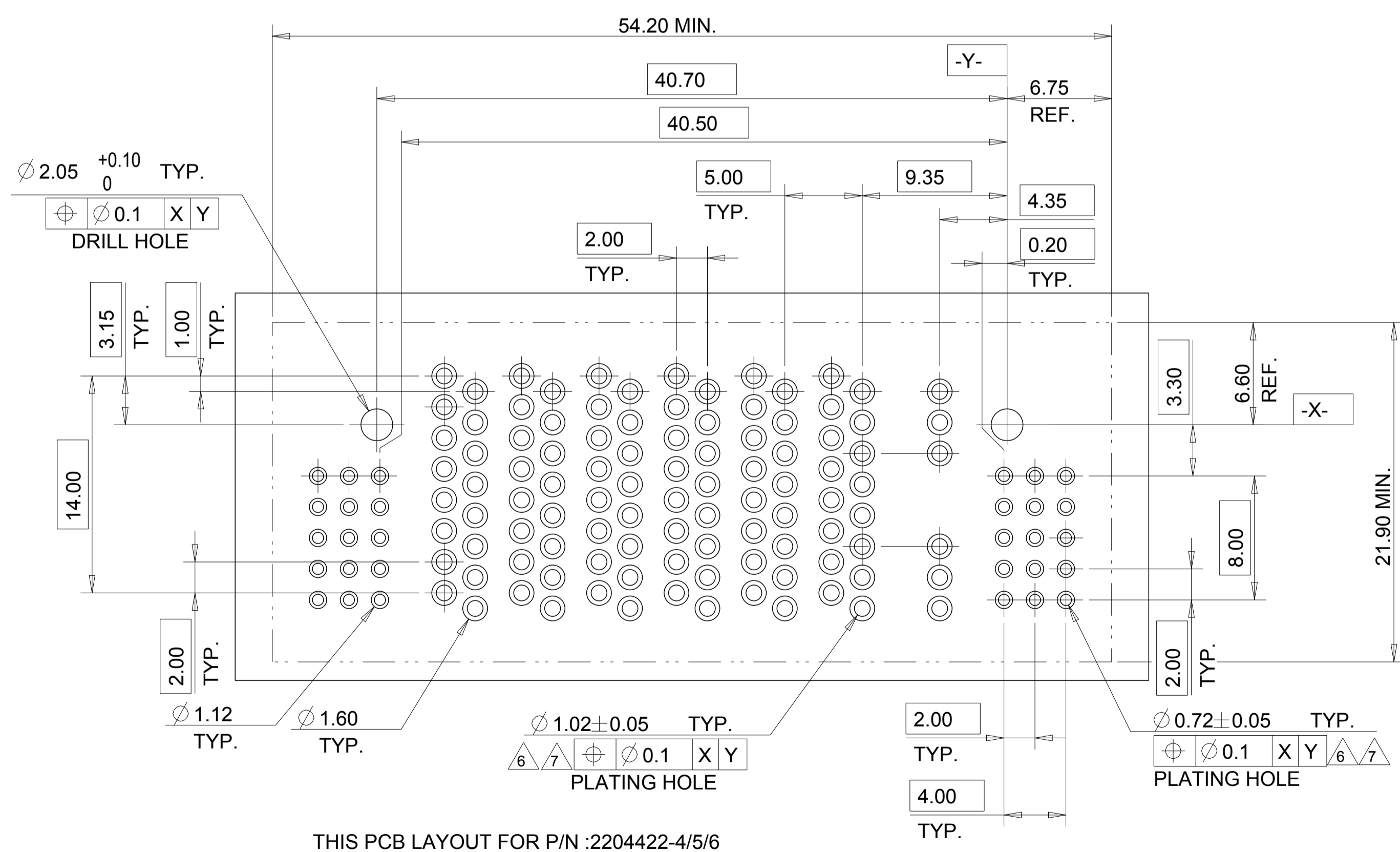
15S+2LP+6P+15S

PART NUMBER	ROWS	SIGNAL				POWER						SIGNAL			
		6	5	4								3	2	1	
2204422-5	E	SM	SM	SM	SM										
	D	SM	SM	SM	SM							SM	SM	SM	
	C	SM	SM	SM	SM							SM	SM	SM	
	B	SM	SM	SM	SM							SM	SM	SM	
	A	SM	SM	SM	SM							SM	SM	SM	

15S+15S

PART NUMBER	ROWS	SIGNAL				POWER						SIGNAL			
		6	5	4		P6	P5	P4	P3	P2	PI	LPI	3	2	1
2204422-6	E	SM	SM	SM	SM										
	D	SM	SM	SM	SM	PM	PM					SM	SM	SM	
	C	SM	SM	SM	SM							SM	SM	SM	
	B	SM	SM	SM	SM							SM	SM	SM	
	A	SM	SM	SM	SM							SM	SM	SM	

15S+2LP+4P+15S



THIS PCB LAYOUT FOR P/N :2204422-4/5/6

THIS DRAWING IS A CONTROLLED DOCUMENT.		DWN: THOMAS ZHAO 20AUG2013	TE Connectivity									
DIMENSIONS: mm		CHK: SUNY ZHAO 20AUG2013										
TOLERANCES UNLESS OTHERWISE SPECIFIED:		APVD: SUNY ZHAO 20AUG2013	NAME: CUSTOMER DRAWING PRESS FIT VERTICAL RECEPTACLE S+P+LP+S MULTI-BEAM HD CONNECTOR									
<table border="1"> <tr><td>0 PLC</td><td>±</td></tr> <tr><td>1 PLC</td><td>±0.4</td></tr> <tr><td>2 PLC</td><td>±0.25</td></tr> <tr><td>3 PLC</td><td>±0.15</td></tr> <tr><td>4 PLC</td><td>±</td></tr> </table>		0 PLC		±	1 PLC	±0.4	2 PLC	±0.25	3 PLC	±0.15	4 PLC	±
0 PLC	±											
1 PLC	±0.4											
2 PLC	±0.25											
3 PLC	±0.15											
4 PLC	±											
MATERIAL: -		APPLICATION SPEC: -	RESTRICTED TO: -									
FINISH: -		WEIGHT: -	SCALE: 4:1									
CUSTOMER DRAWING		SIZE: A1 00779	DRAWING NO: C=2204422									
		SHEET 6 OF 6	REV A2									

X-ON Electronics

Largest Supplier of Electrical and Electronic Components

Click to view similar products for [Power to the Board](#) category:

Click to view products by [TE Connectivity](#) manufacturer:

Other Similar products are found below :

[6450171-4](#) [6450552-7](#) [6600323-8](#) [6643429-1](#) [6646040-2](#) [6651939-1](#) [6766604-1](#) [120959-1](#) [1393557-2](#) [1393532-2](#) [1393532-3](#) [1393532-4](#)
[1393557-1](#) [1600812-5](#) [1-6450861-2](#) [1744132-7](#) [1761122-1](#) [1766250-1](#) [1892109-1](#) [2-6450860-5](#) [2-6450870-0](#) [1-6450161-4](#) [1-6450850-6](#) [1-6450869-6](#) [1645526-2](#) [1-6600130-0](#) [2005243-2](#) [377-0020-11130](#) [TE34-12-16P-F0](#) [5-6450830-6](#) [5646956-4](#) [377-0080-11131A](#) [4-6450830-9](#)
[4-6600333-3](#) [10125416-4050LF](#) [6600320-3](#) [3-6450860-5](#) [1888123-2](#) [6450166-1](#) [6643978-1](#) [6766605-1](#) [701-15-02109](#) [N11444](#) [6651938-1](#)
[6450810-7](#) [46437-1112](#) [1-1589677-8](#) [5646956-5](#) [6450813-2](#) [6450129-4](#)