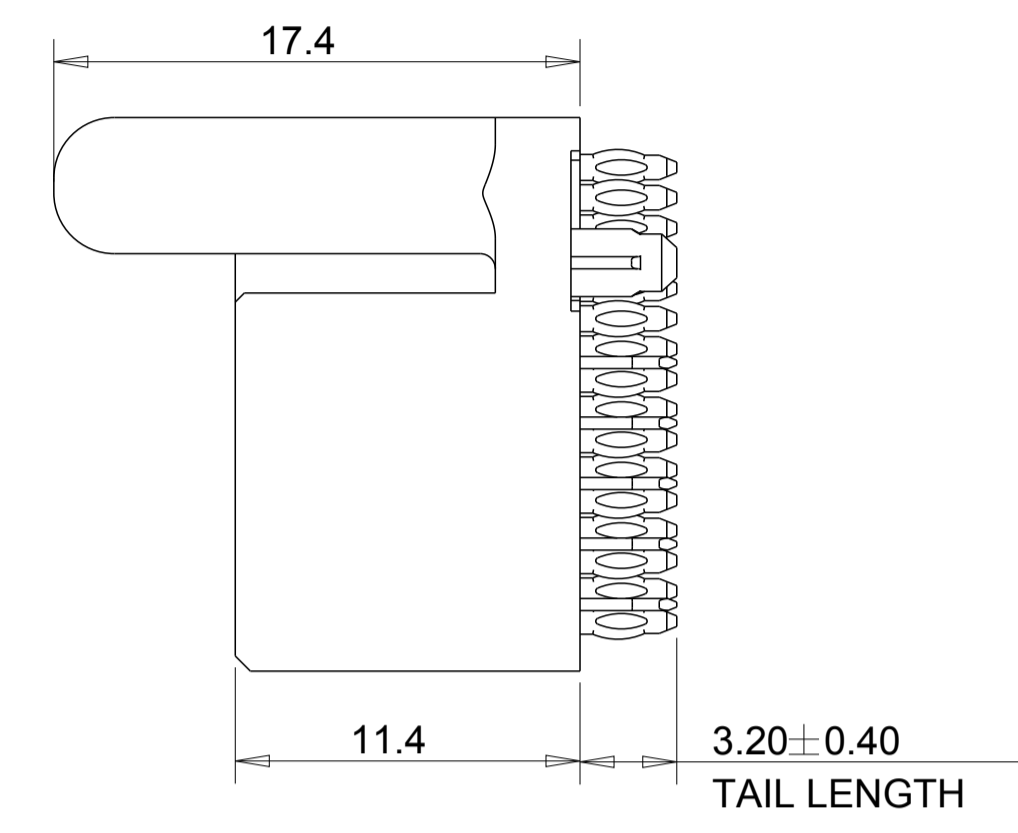
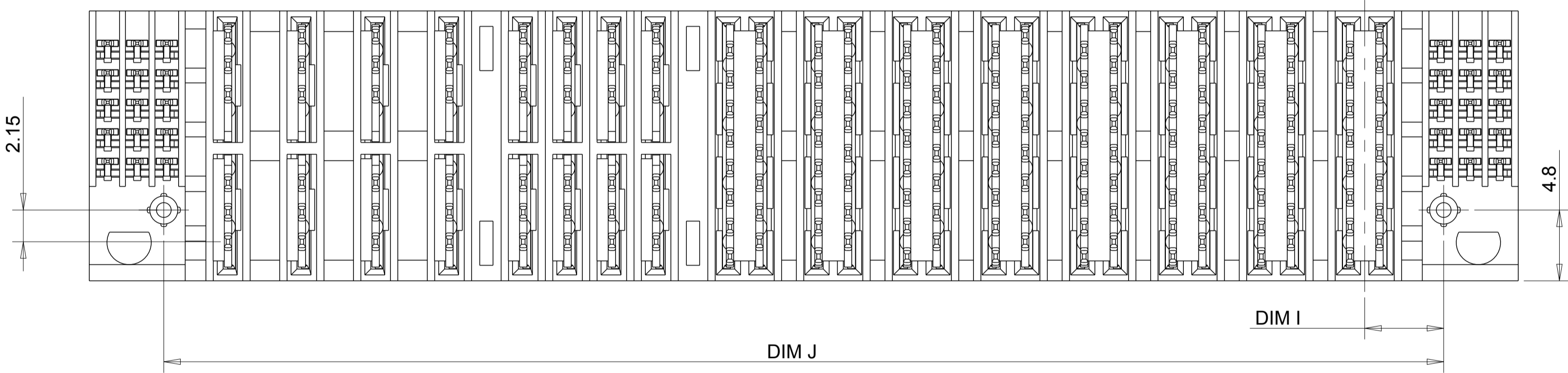
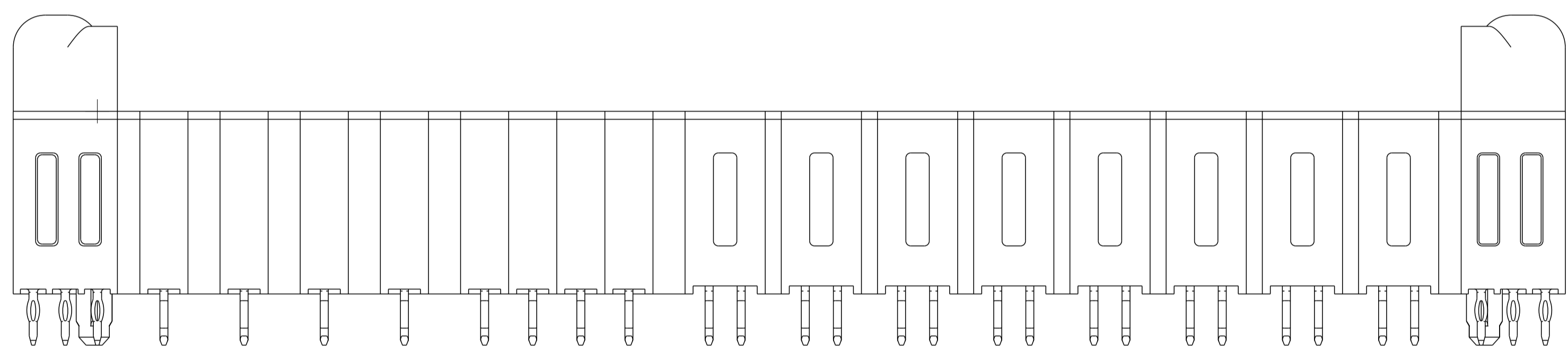
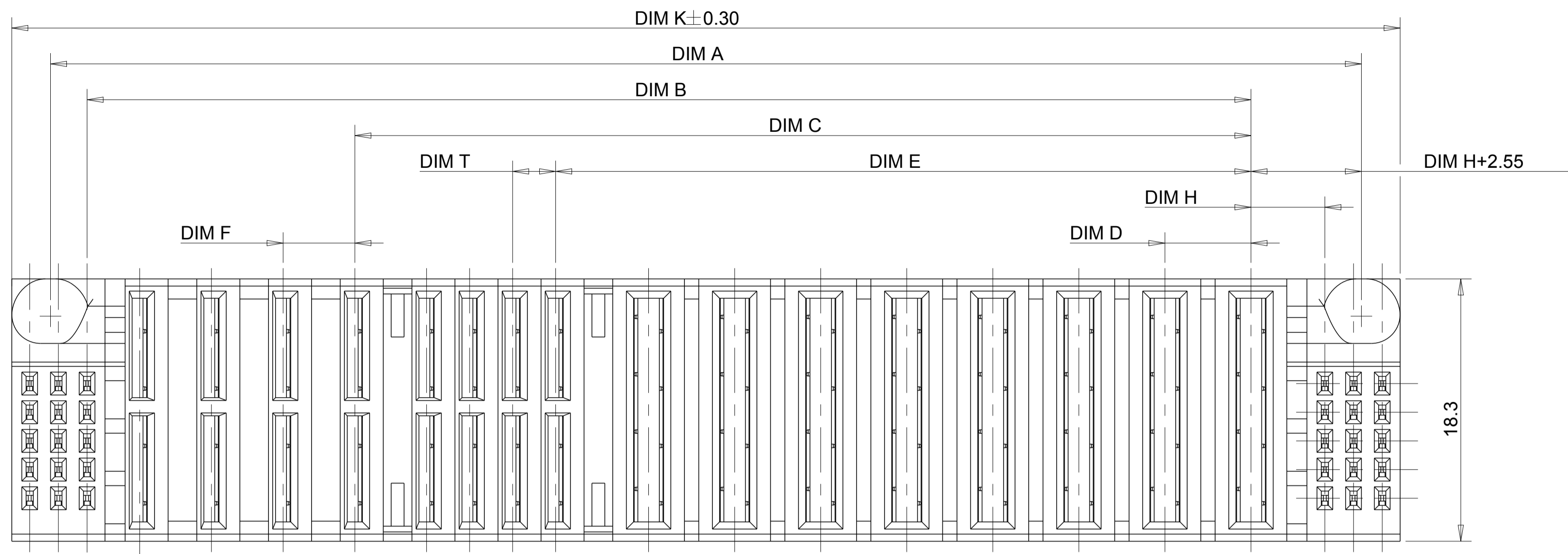
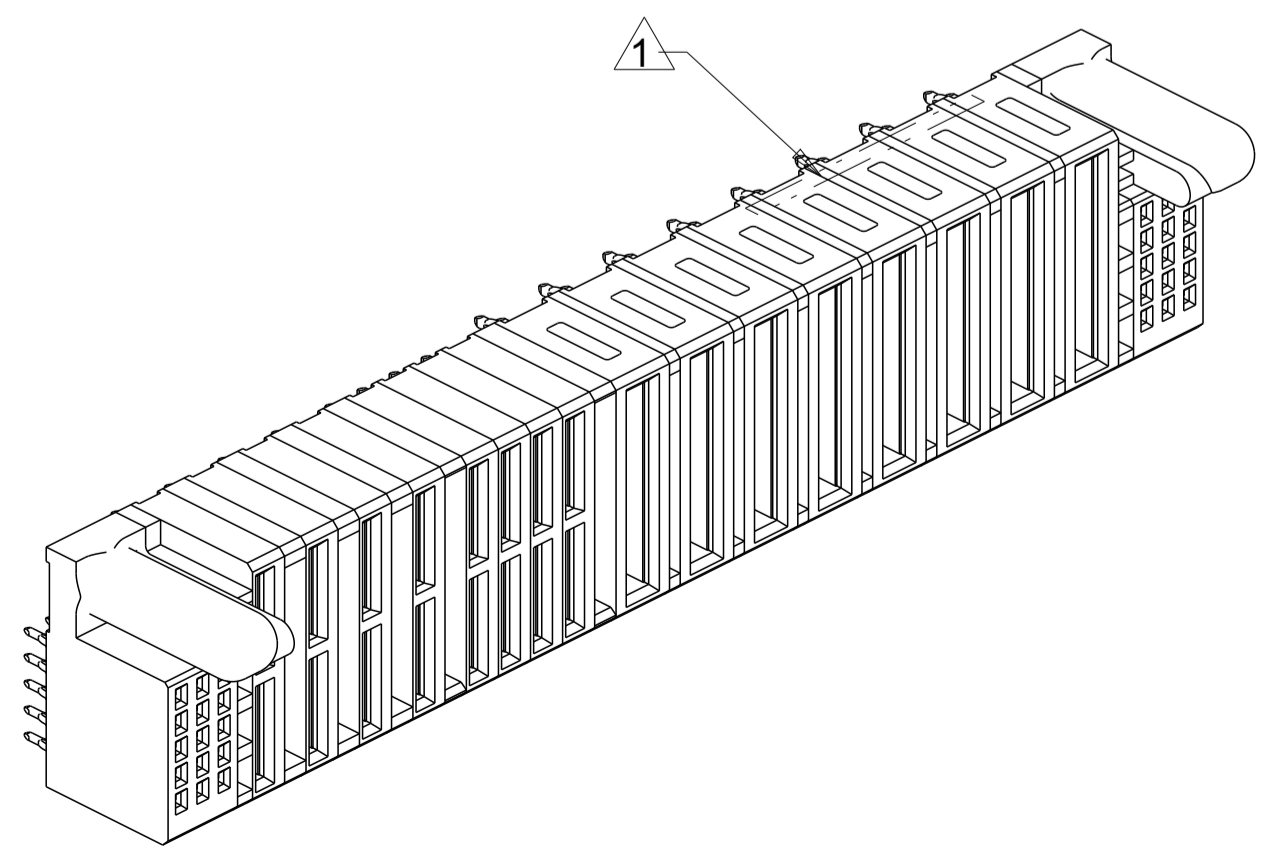


LOC		DIST		REVISIONS			
P	LTR	DESCRIPTION	DATE	DWN	APVD		
A1		ECR-16-012726	03NOV2016	TZ	SZ		
A2		ECR-16-017006	11JAN2017	TZ	SZ		



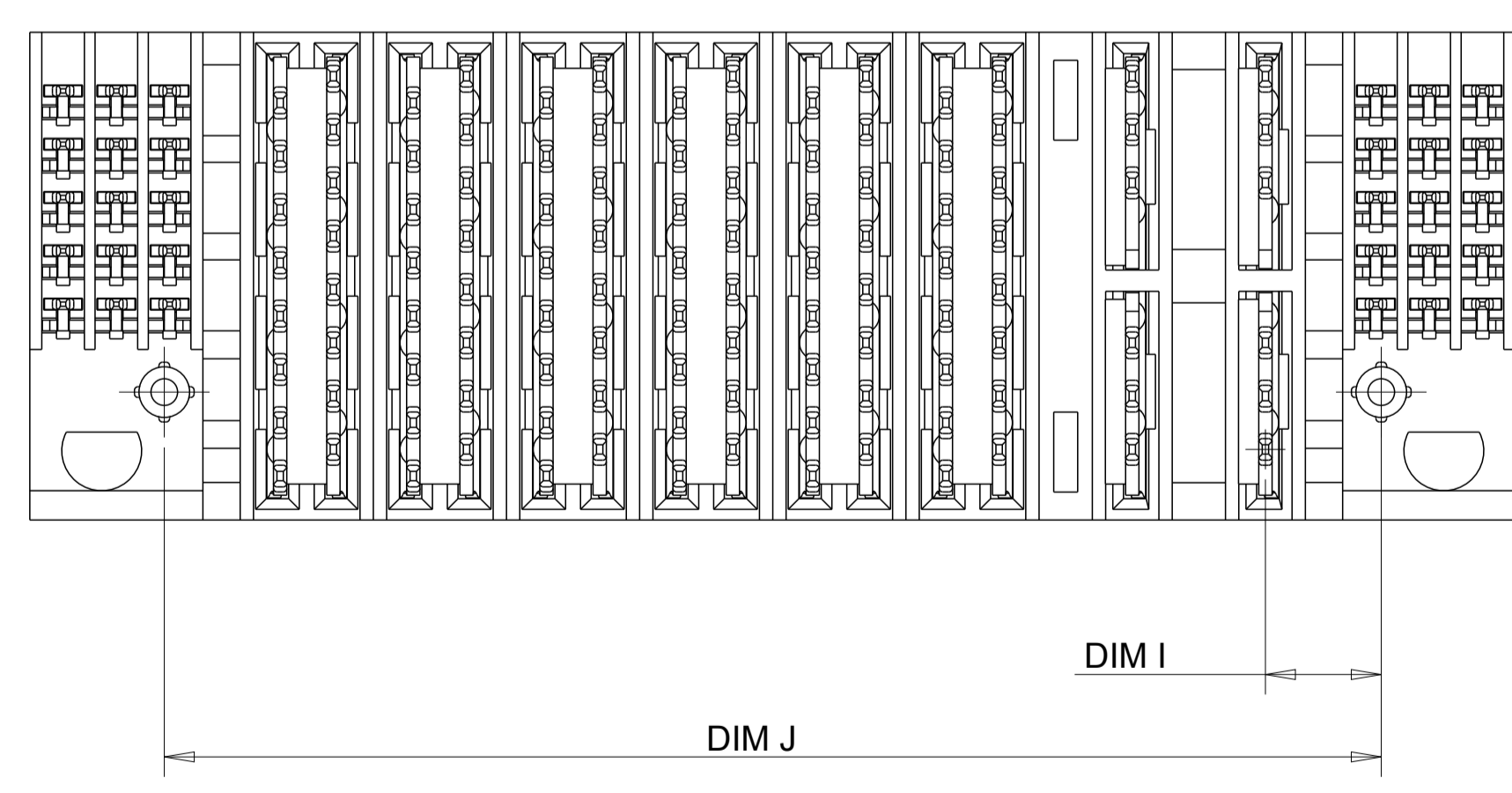
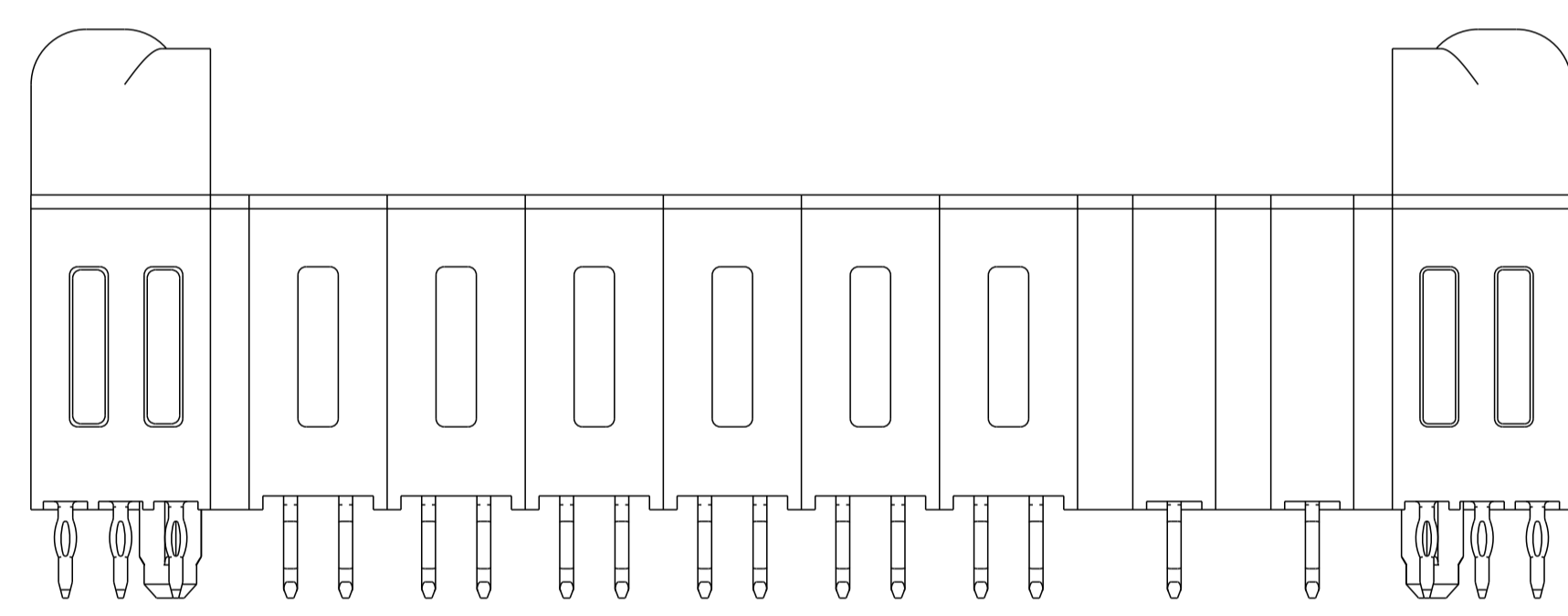
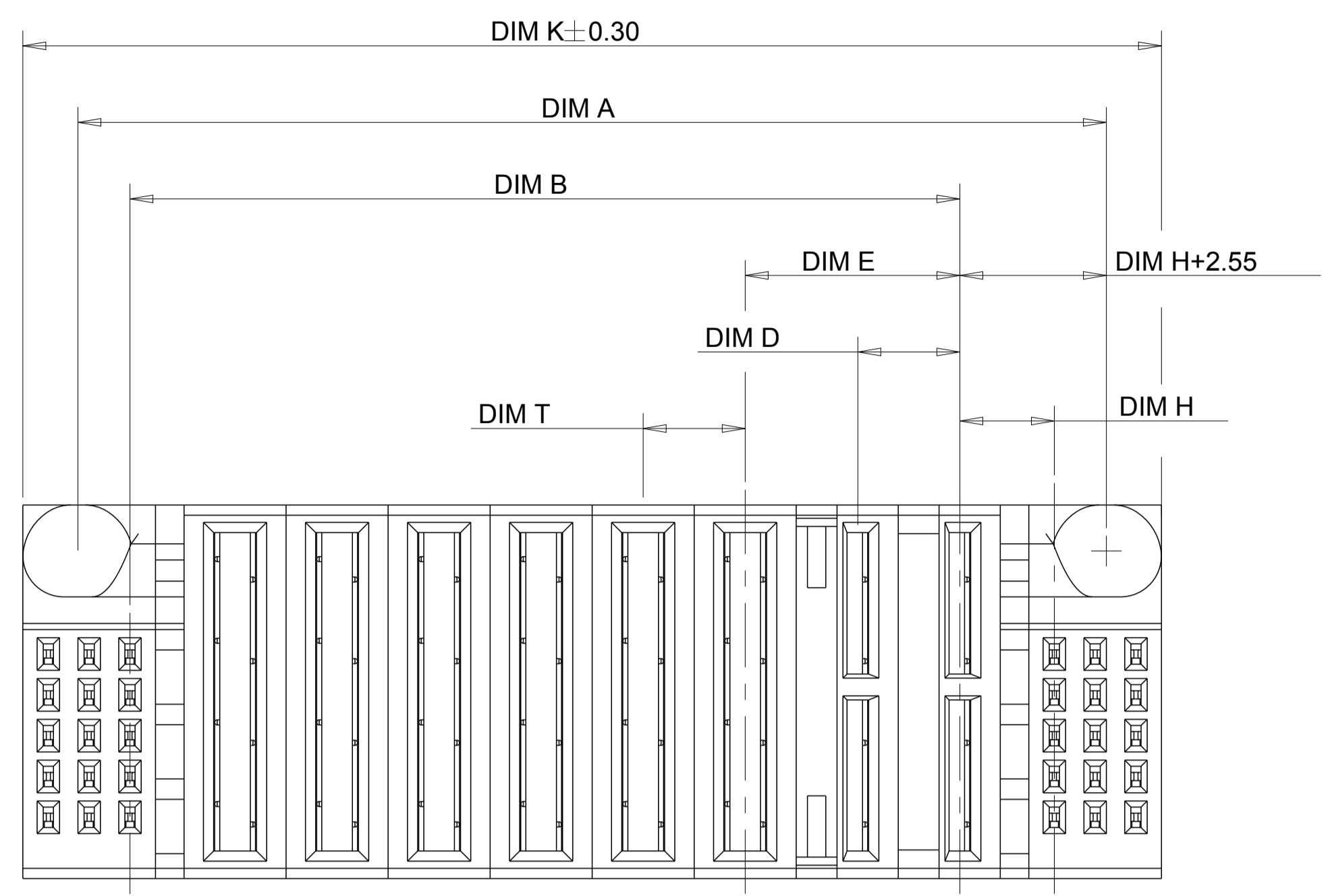
NOTES, UNLESS OTHERWISE SPECIFIED:

1. "TE", PART NUMBER AND DATE CODE TO BE MARKED IN AREA SHOWN.
2. MATERIAL:
 - HOUSING - GLASS FILLED HIGH TEMP THERMO PLASTIC, COLOR: BLACK, UL94 V-0.
 - SIGNAL CONTACT - HIGH CONDUCTIVITY COPPER ALLOY.
 - POWER CONTACT - HIGH CONDUCTIVITY COPPER ALLOY.
3. CONTACT PLATING:
 - MATING AREA - NOBLE METAL OVERALL NICKEL
 - TAIL SIDE AREA - MATTE TIN OVERALL NICKEL.
4. MECHANICAL CONNECTOR KEEP OUT ZONE.
5. DATUM AND BASIC DIMENSIONS ESTABLISHED BY CUSTOMER.
6. PCB - ALL HOLE DIAMETERS ARE FINISHED HOLE SIZES.
7. PCB HOLE:
 - POWER - 1.15 ± 0.025 MM DRILLED HOLES SIZE PLATING WITH 0.0076 MM MIN.
 - Sn OVER 0.025~0.076 MM Cu PLATING TO ACHIEVE A 1.02 MM DIA. HOLE.
 - SIGNAL - 0.835 ± 0.025 MM DRILLED HOLES SIZE PLATING WITH 0.0076 MM MIN.
 - Sn OVER 0.025~0.076 MM Cu PLATING TO ACHIEVE A 0.72 MM DIA. HOLE.
8. CONFIGURATION "S+LP+P+S" REFER TO SHEET 2



THIS DRAWING IS A CONTROLLED DOCUMENT.		DWN: THOMAS ZHAO 20AUG2013	
		CHK: SUNY ZHAO 20AUG2013	
DIMENSIONS:		APVD: SUNY ZHAO 20AUG2013	NAME: CUSTOMER DRAWING PRESS FIT VERTICAL RECEPTACLE S+P+LP+S MULTI-BEAM HD CONNECTOR
TOLERANCES UNLESS OTHERWISE SPECIFIED:		PRODUCT SPEC: -	RESTRICTED TO: -
APPLICATION SPEC: -		SIZE: A1	CAGE CODE: 00779
MATERIAL: -		DRAWING NO: C=2204422	SCALE: 4:1
FINISH: -		WEIGHT: -	SHEET 1 OF 6
CUSTOMER DRAWING		REV: A2	

LOC		DIST		REVISIONS			
P	LTR	DESCRIPTION	DATE	DWN	APVD		
-		SEE SHEET 1	-	-	-		

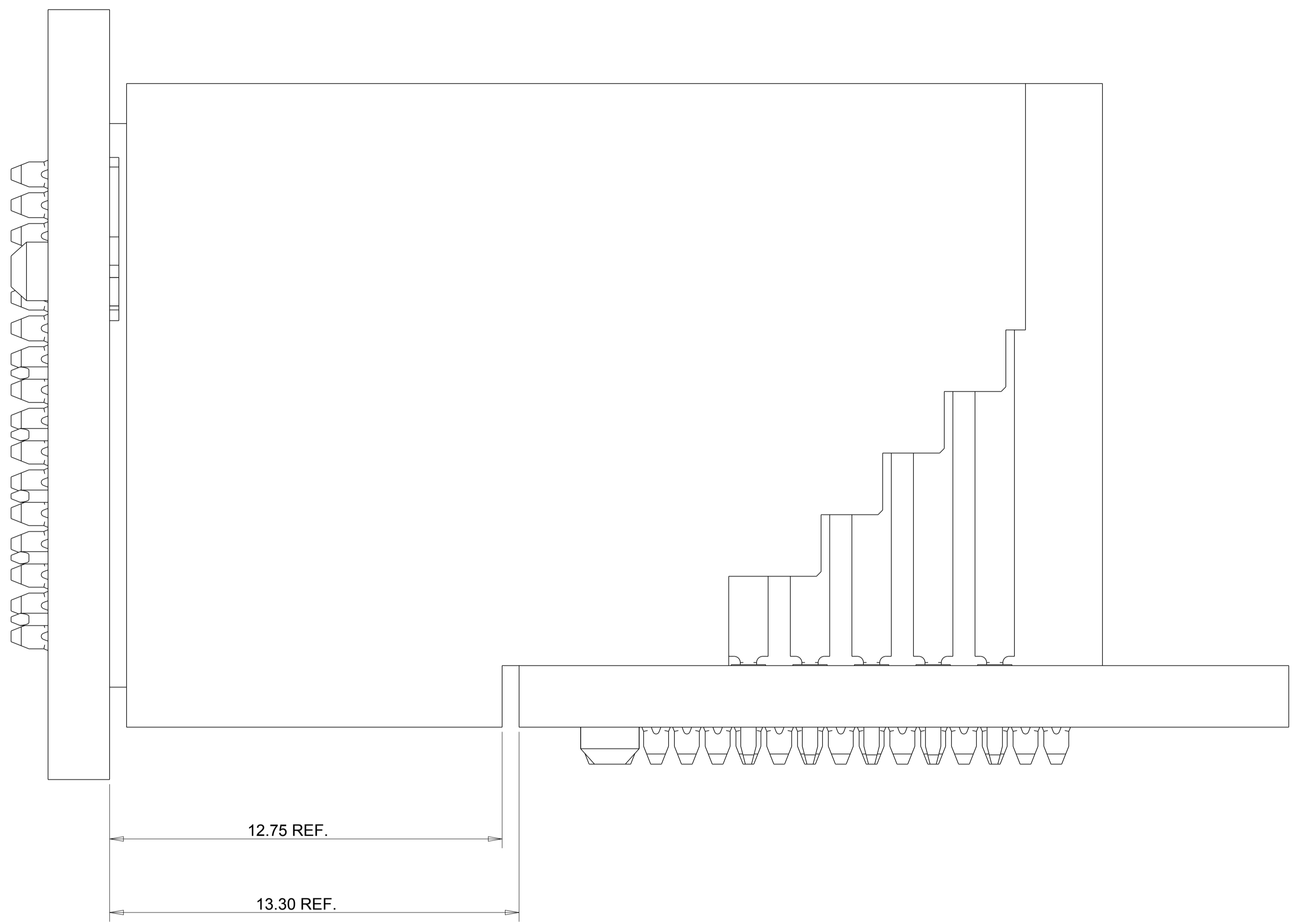


CONFIGURATION FOR "S+VLP+P+S"

THIS DRAWING IS A CONTROLLED DOCUMENT.		DWN: THOMAS ZHAO 20AUG2013																	
DIMENSIONS: min		CHK: SUNY ZHAO 20AUG2013																	
<table border="1"> <tr> <th>TOLERANCES UNLESS OTHERWISE SPECIFIED:</th> <th></th> </tr> <tr> <td>0 PLC</td> <td>±</td> </tr> <tr> <td>1 PLC</td> <td>±0.4</td> </tr> <tr> <td>2 PLC</td> <td>±0.25</td> </tr> <tr> <td>3 PLC</td> <td>±0.15</td> </tr> <tr> <td>4 PLC</td> <td>±</td> </tr> <tr> <td>ANGLES</td> <td>±</td> </tr> <tr> <td>FINISH</td> <td></td> </tr> </table>		TOLERANCES UNLESS OTHERWISE SPECIFIED:		0 PLC	±	1 PLC	±0.4	2 PLC	±0.25	3 PLC	±0.15	4 PLC	±	ANGLES	±	FINISH		APVD: SUNY ZHAO 20AUG2013	NAME: CUSTOMER DRAWING PRESS FIT VERTICAL RECEPTACLE S+P+LP+S MULTI-BEAM HD CONNECTOR
TOLERANCES UNLESS OTHERWISE SPECIFIED:																			
0 PLC	±																		
1 PLC	±0.4																		
2 PLC	±0.25																		
3 PLC	±0.15																		
4 PLC	±																		
ANGLES	±																		
FINISH																			
MATERIAL: -		PRODUCT SPEC: -	RESTRICTED TO: -																
-		APPLICATION SPEC: -	SIZE: A1																
-		WEIGHT: -	CAGE CODE: 00779																
CUSTOMER DRAWING		DRAWING NO: 2204422	SCALE: 4:1																
			SHEET 2 OF 6																
			REV A2																

THIS DRAWING IS UNPUBLISHED
 RELEASED FOR PUBLICATION
 20
 © COPYRIGHT 20
 ALL RIGHTS RESERVED

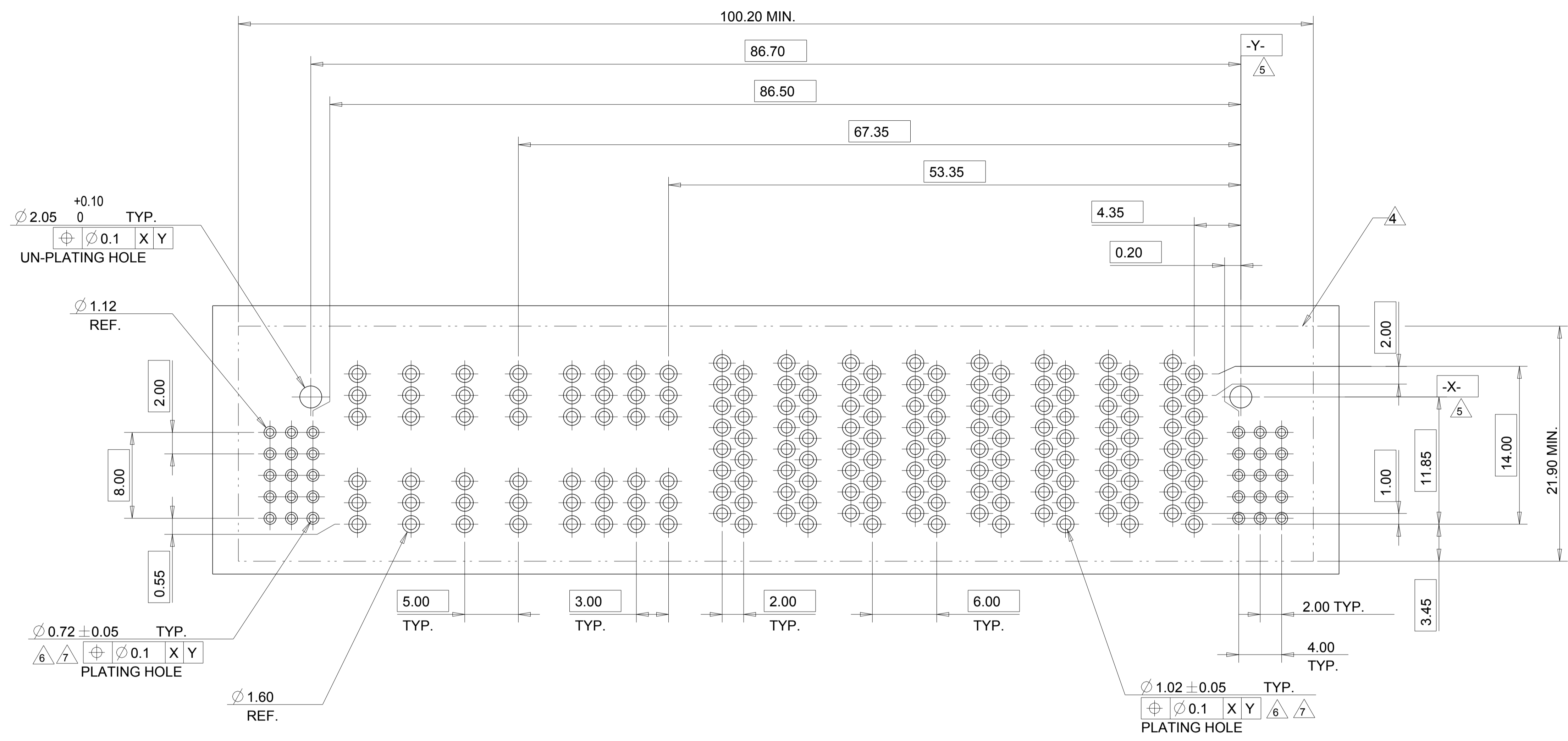
LOC		DIST		REVISIONS			
P	LTR	DESCRIPTION	DATE	DWN	APVD		
-	-	SEE SHEET 1	-	-	-		



THE DISTANCE IS 0.05 MM MATING FACE
 FROM R/A PLUG TO VERTICAL RECETPACLE.

THIS DRAWING IS A CONTROLLED DOCUMENT.		DWN THOMAS ZHAO 20AUG2013													
DIMENSIONS: mm		CHK SUNY ZHAO 20AUG2013													
TOLERANCES UNLESS OTHERWISE SPECIFIED:		APVD SUNY ZHAO 20AUG2013	NAME CUSTOMER DRAWING PRESS FIT VERTICAL RECEPTACLE S+P+LP+S MULTI-BEAM HD CONNECTOR												
<table border="1"> <tr> <th>PLC</th> <th>Tolerance</th> </tr> <tr> <td>0 PLC</td> <td>±</td> </tr> <tr> <td>1 PLC</td> <td>±0.4</td> </tr> <tr> <td>2 PLC</td> <td>±0.25</td> </tr> <tr> <td>3 PLC</td> <td>±0.15</td> </tr> <tr> <td>4 PLC</td> <td>±</td> </tr> </table>		PLC	Tolerance	0 PLC	±	1 PLC	±0.4	2 PLC	±0.25	3 PLC	±0.15	4 PLC	±	PRODUCT SPEC -	RESTRICTED TO -
PLC	Tolerance														
0 PLC	±														
1 PLC	±0.4														
2 PLC	±0.25														
3 PLC	±0.15														
4 PLC	±														
MATERIAL		APPLICATION SPEC -	SIZE A1												
FINISH		WEIGHT -	CAGE CODE 00779												
CUSTOMER DRAWING		DRAWING NO 2204422	SCALE 4:1												
			SHEET 3												
			OF 6												
			REV A2												

LOC	DIST	REVISIONS			
P	LTR	DESCRIPTION	DATE	DWN	APVD
-	-	SEE SHEET 1	-	-	-



PART NUMBER	ROWS	SIGNAL			POWER														SIGNAL			
		6	5	4	LP8	LP7	LP6	LP5	LP4	LP3	LP2	LP1	P8	P7	P6	P5	P4	P3	P2	P1	3	2
2204422-1	E	SM1	SM1	SM1	LM1	LM1	LM1	LM1	LM1	LM1	LM1	LM1	PM	PM	PM	PM	PM	PM	PM	SM1	SM1	SM1
	D	SM1	SM1	SM1																SM1	SM1	SM1
	C	SM1	SM1	SM1	LM2	LM2	LM2	LM2	LM2	LM2	LM2	LM2								SM1	SM1	SM1
	B	SM1	SM1	SM1																SM1	SM1	SM1
	A	SM1	SM1	SM1																SM1	SM1	SM1

15S + 8VP + 8LP + 8VLP + 15S

A2 VIEW REFER *-2
 VIEW REFER *-2
 VIEW REFER *-2

DIM A	DIM B	DIM C	DIM E	DIM D	DIM F	DIM T	DIM H	DIM I	DIM J	DIM K	DESCRIPTION	PART NUMBER
45.40	35.67	/	5.52	/	/	5.00	4.63	4.35	40.70	50.80	15S+2LP+4P+15S	2204422-6
45.40	35.67	/	/	/	/	/	4.63	/	40.70	50.80	15S+15S	2204422-5
45.40	35.67	/	5.52	/	/	5.00	4.63	4.35	40.70	50.80	15S+2LP+6P+15S	2204422-4
45.40	35.15	/	31.48	5.00	/	/	5.15	5.35	40.70	50.80	15S+6P+2LP+15S	2204422-3
50.40	40.67	/	10.52	5.00	/	5.00	4.63	4.35	45.70	55.80	15S+4VLP+6P+15S	2204422-2
91.40	81.15	62.48	48.48	6.00	5.00	3.00	5.15	5.35	86.70	96.80	15S+8VP+8LP+8VLP+15S	2204422-1

DESCRIPTION	IDENTIFIER
SIGNAL CONTACT PRESS FIT	SM1
LP TOP CONTACT MFBL PRESS FIT	LM1
LP BOTTOM CONTACT MFBL PRESS FIT	LM2
POWER CONTACT MFBL PRESS FIT	PM

THIS DRAWING IS A CONTROLLED DOCUMENT.

DIMENSIONS: mm

TOLERANCES UNLESS OTHERWISE SPECIFIED:

0 PLC	±	0.4
1 PLC	±	0.25
2 PLC	±	0.15
3 PLC	±	0.1
4 PLC	±	0.05

FINISH: ANGLES

MATERIAL: -

DATE: 20AUG2013

DWN: THOMAS ZHAO

CHK: SUNY ZHAO

APVD: SUNY ZHAO

PRODUCT SPEC: -

APPLICATION SPEC: -

WEIGHT: -

CUSTOMER DRAWING

SCALE: 4:1

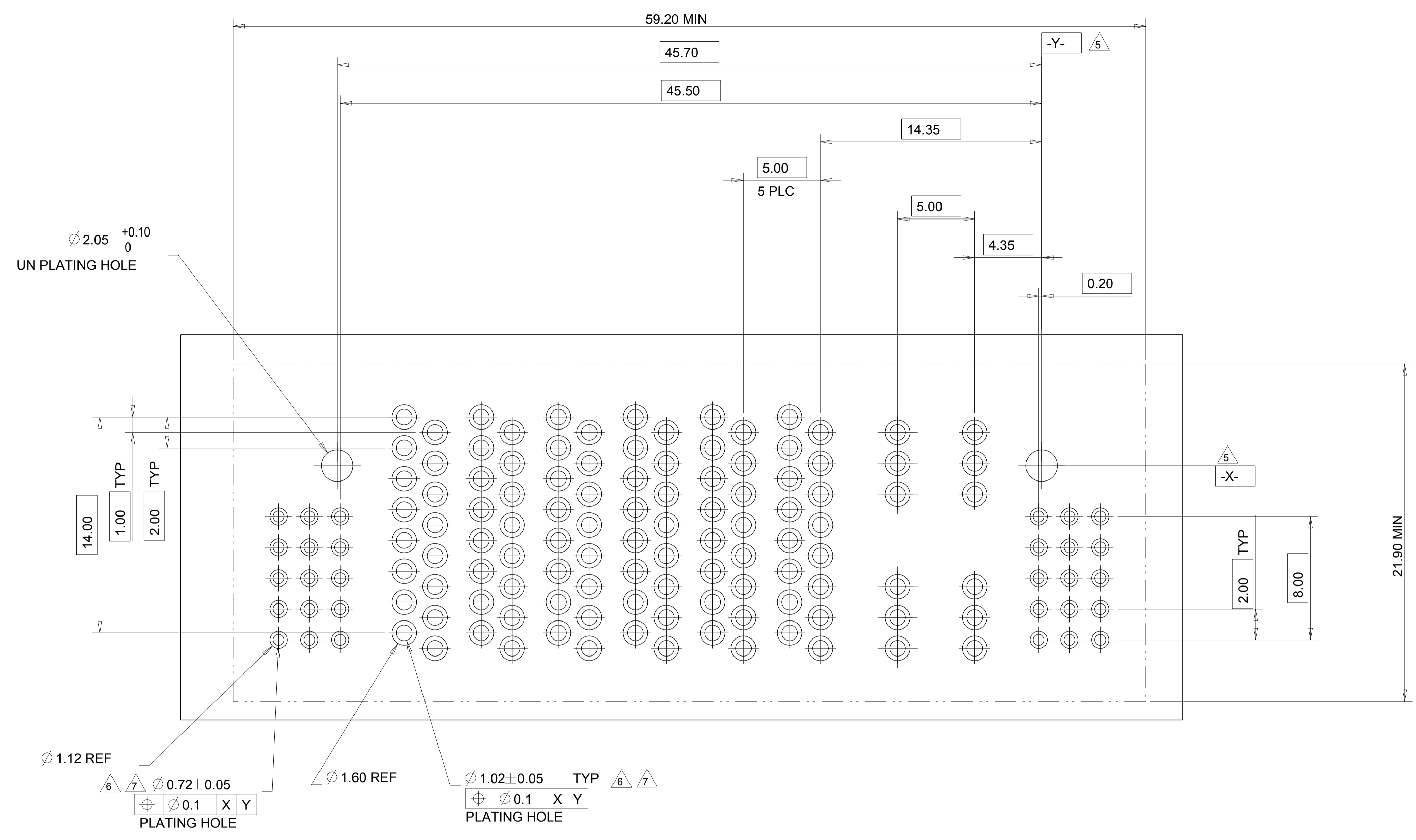
SHEET: 4 OF 6

REV: A2

DESCRIPTION: CUSTOMER DRAWING PRESS FIT VERTICAL RECEPTACLE S+P+LP+S MULTI-BEAM HD CONNECTOR

IDENTIFIER: A1 00779 C=2204422

LOC	DIST	REVISIONS			
P	LTR	DESCRIPTION	DATE	DWN	APVD
-	-	SEE SHEET 1	-	-	-



PART NUMBER	ROWS	SIGNAL			POWER							SIGNAL			
		6	5	4	P6	P5	P4	P3	P2	P1	LP2	LP1	3	2	1
2204422-2	E	SM	SM	SM	PM	PM	PM	PM	PM	PM	LM1	LM1	SM	SM	SM
	D	SM	SM	SM									SM	SM	SM
	C	SM	SM	SM									SM	SM	SM
	B	SM	SM	SM									SM	SM	SM
	A	SM	SM	SM									SM	SM	SM

15S+4VLP+6P+15S

THIS DRAWING IS A CONTROLLED DOCUMENT.

DWN: THOMAS ZHAO 20AUG2013
 CHK: SUNY ZHAO 20AUG2013
 APVD: SUNY ZHAO 20AUG2013

NAME: CUSTOMER DRAWING PRESS FIT VERTICAL RECEPTACLE S+P+LP+S MULTI-BEAM HD CONNECTOR

TE Connectivity

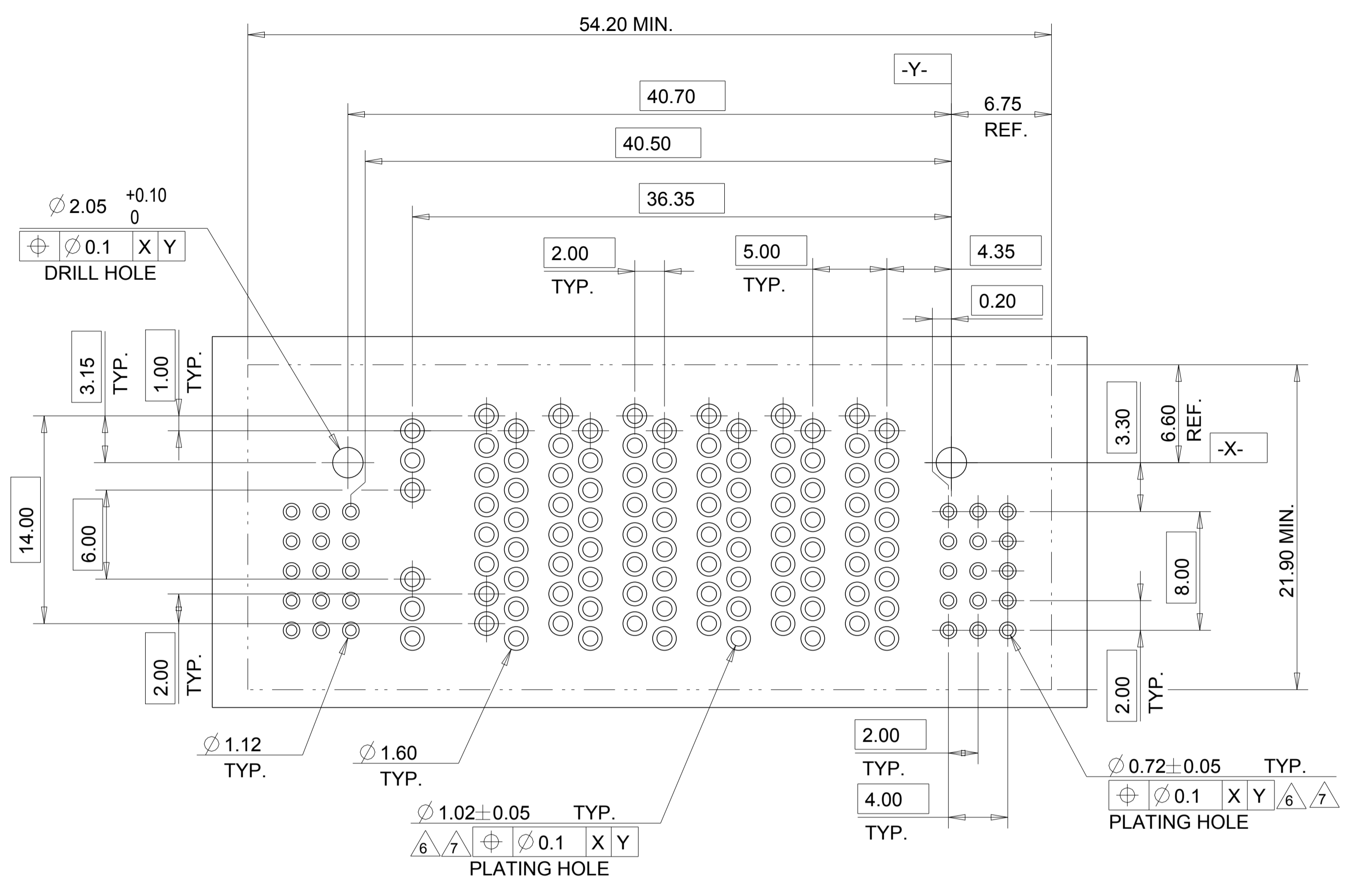
SIZE: A1 00779 CAGE CODE: 2204422 DRAWING NO: 2204422

SCALE: 4:1 SHEET 5 OF 6 REV A2

DIMENSIONS	TOLERANCES UNLESS OTHERWISE SPECIFIED:
mm	0 PLC ± 0.4 1 PLC ± 0.4 2 PLC ± 0.25 3 PLC ± 0.15 4 PLC ± 0.15
ANGLES	± 0.5
FINISH	-

MATERIAL: -
 WEIGHT: -
 RESTRICTED TO: -
 CUSTOMER DRAWING

LOC		DIST		REVISIONS			
P	LTR	DESCRIPTION		DATE	DWN	APVD	
-	-	SEE SHEET 1		-	-	-	

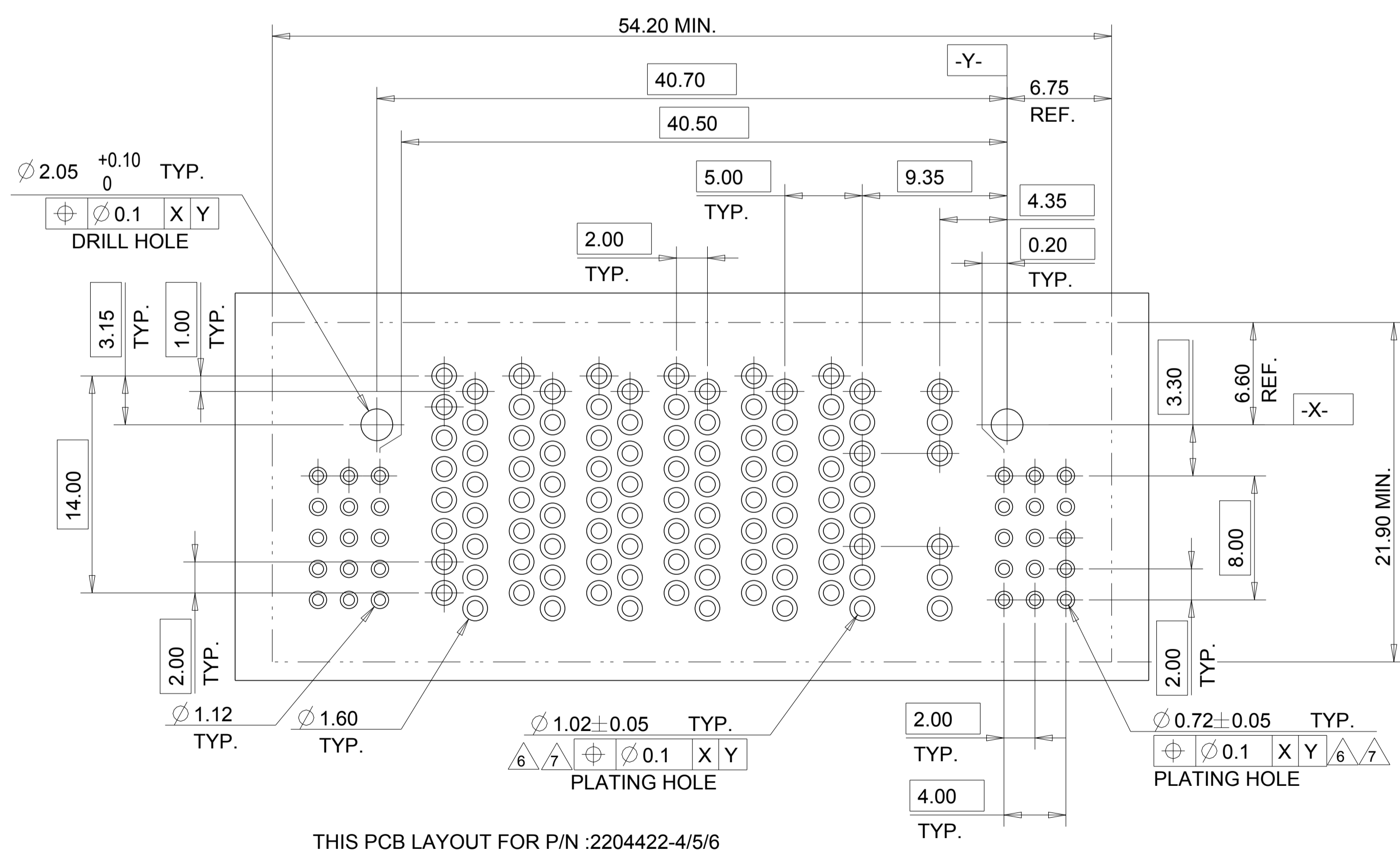


PART NUMBER	ROWS	SIGNAL				POWER						SIGNAL			
		6	5	4		LPI	P6	P5	P4	P3	P2	PI	3	2	1
2204422-3	E	SM	SM	SM	SM										
	D	SM	SM	SM	SM	PM	PM	PM	PM	PM	PM				
	C	SM	SM	SM	SM										
	B	SM	SM	SM	SM										
	A	SM	SM	SM	SM										
15S+6P+2LP+15S															

PART NUMBER	ROWS	SIGNAL				POWER						SIGNAL			
		6	5	4		P6	P5	P4	P3	P2	PI	LPI	3	2	1
2204422-4	E	SM	SM	SM	SM										
	D	SM	SM	SM	SM	PM	PM	PM	PM	PM	PM				
	C	SM	SM	SM	SM										
	B	SM	SM	SM	SM										
	A	SM	SM	SM	SM										
15S+2LP+6P+15S															

PART NUMBER	ROWS	SIGNAL				POWER						SIGNAL			
		6	5	4											
2204422-5	E	SM	SM	SM	SM										
	D	SM	SM	SM	SM										
	C	SM	SM	SM	SM										
	B	SM	SM	SM	SM										
	A	SM	SM	SM	SM										
15S+15S															

PART NUMBER	ROWS	SIGNAL				POWER						SIGNAL			
		6	5	4		P6	P5	P4	P3	P2	PI	LPI	3	2	1
2204422-6	E	SM	SM	SM	SM										
	D	SM	SM	SM	SM	PM	PM								
	C	SM	SM	SM	SM										
	B	SM	SM	SM	SM										
	A	SM	SM	SM	SM										
15S+2LP+4P+15S															



THIS PCB LAYOUT FOR P/N :2204422-4/5/6

THIS DRAWING IS A CONTROLLED DOCUMENT.		DWN: THOMAS ZHAO 20AUG2013	 TE Connectivity										
DIMENSIONS: mm		CHK: SUNY ZHAO 20AUG2013											
TOLERANCES UNLESS OTHERWISE SPECIFIED:		APVD: SUNY ZHAO 20AUG2013	NAME: CUSTOMER DRAWING PRESS FIT VERTICAL RECEPTACLE S+P+LP+S MULTI-BEAM HD CONNECTOR										
<table border="1"> <tr><td>0 PLC</td><td>±</td></tr> <tr><td>1 PLC</td><td>±0.4</td></tr> <tr><td>2 PLC</td><td>±0.25</td></tr> <tr><td>3 PLC</td><td>±0.15</td></tr> <tr><td>4 PLC</td><td>±</td></tr> </table>		0 PLC	±	1 PLC	±0.4	2 PLC	±0.25	3 PLC	±0.15	4 PLC	±	PRODUCT SPEC: -	RESTRICTED TO: -
0 PLC	±												
1 PLC	±0.4												
2 PLC	±0.25												
3 PLC	±0.15												
4 PLC	±												
MATERIAL: -		APPLICATION SPEC: -	SCALE: A1 00779										
FINISH: -		WEIGHT: -	DRAWING NO: C=2204422										
CUSTOMER DRAWING		SCALE: 4:1	SHEET 6 OF 6 REV A2										

X-ON Electronics

Largest Supplier of Electrical and Electronic Components

Click to view similar products for [Power to the Board](#) category:

Click to view products by [TE Connectivity](#) manufacturer:

Other Similar products are found below :

[6450171-4](#) [6450552-7](#) [6600323-8](#) [6643429-1](#) [6646040-2](#) [6651939-1](#) [6766604-1](#) [120959-1](#) [1393557-2](#) [1393532-2](#) [1393532-3](#) [1393532-4](#)
[1393557-1](#) [1600812-5](#) [1-6450861-2](#) [1744132-7](#) [1761122-1](#) [1766250-1](#) [1892109-1](#) [2-6450860-5](#) [2-6450870-0](#) [1-6450161-4](#) [1-6450850-6](#) [1-](#)
[6450869-6](#) [1645526-2](#) [1-6600130-0](#) [2005243-2](#) [377-0020-11130](#) [TE34-12-16P-F0](#) [51700-10201602AALF](#) [5-6450830-6](#) [5646956-4](#) [377-](#)
[0080-11131A](#) [4-6450830-9](#) [4-6600333-3](#) [10125416-4050LF](#) [10130248-005LF](#) [6600320-3](#) [3-6450860-5](#) [1888123-2](#) [6450166-1](#) [6643978-1](#)
[6766605-1](#) [701-15-02109](#) [N11444](#) [6651938-1](#) [6450810-7](#) [46437-1112](#) [1-1589677-8](#) [5646956-5](#)