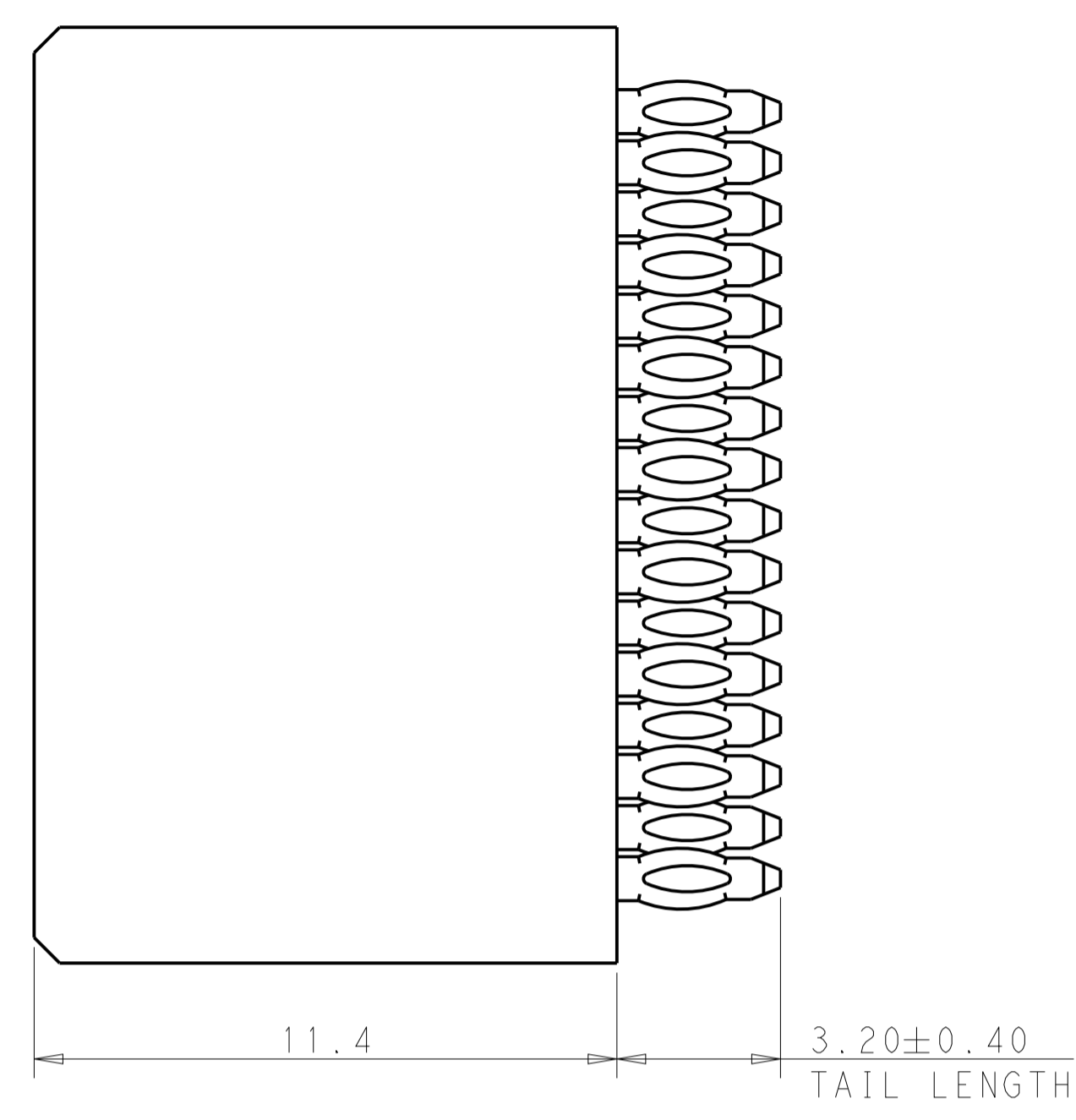
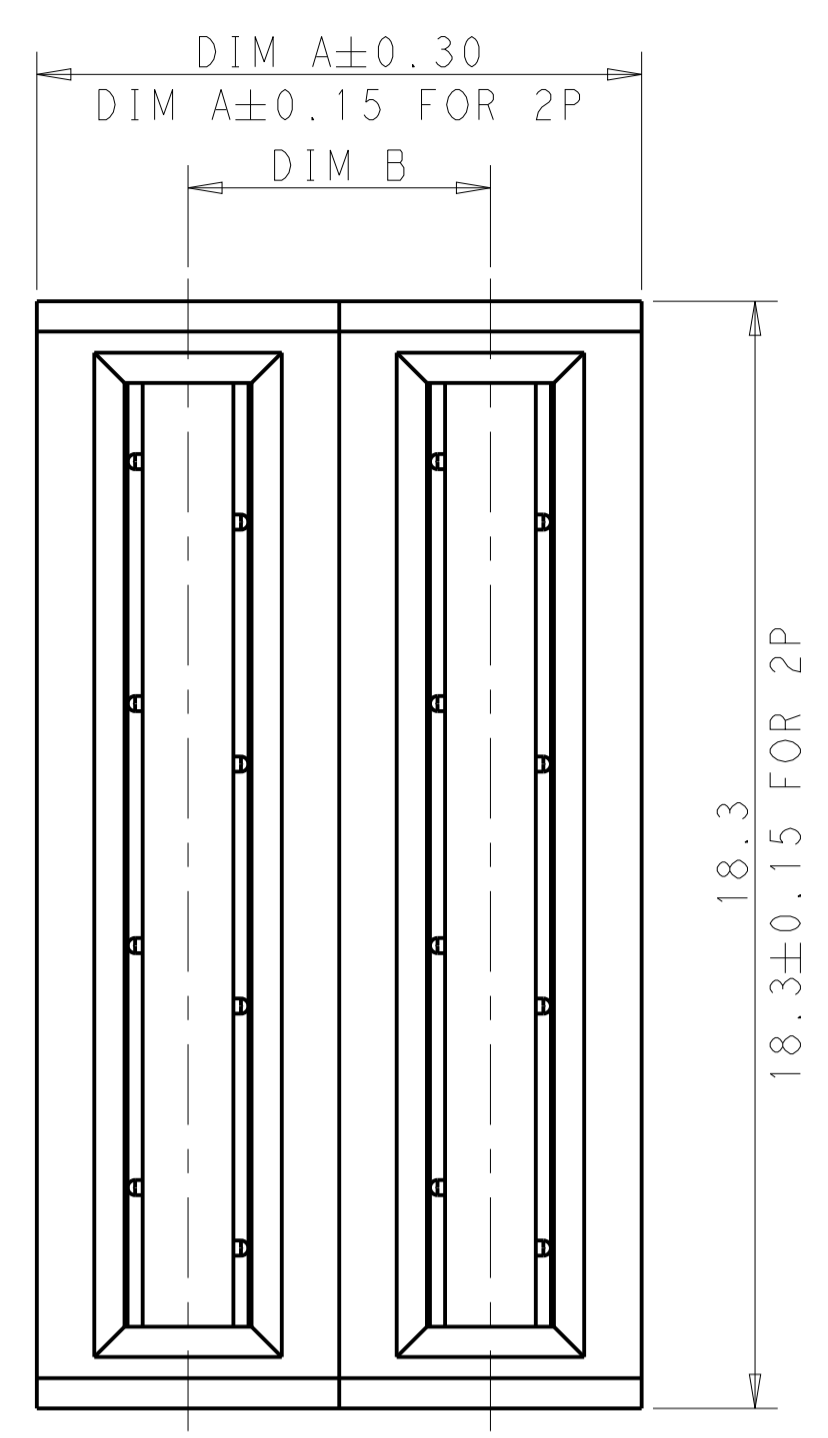
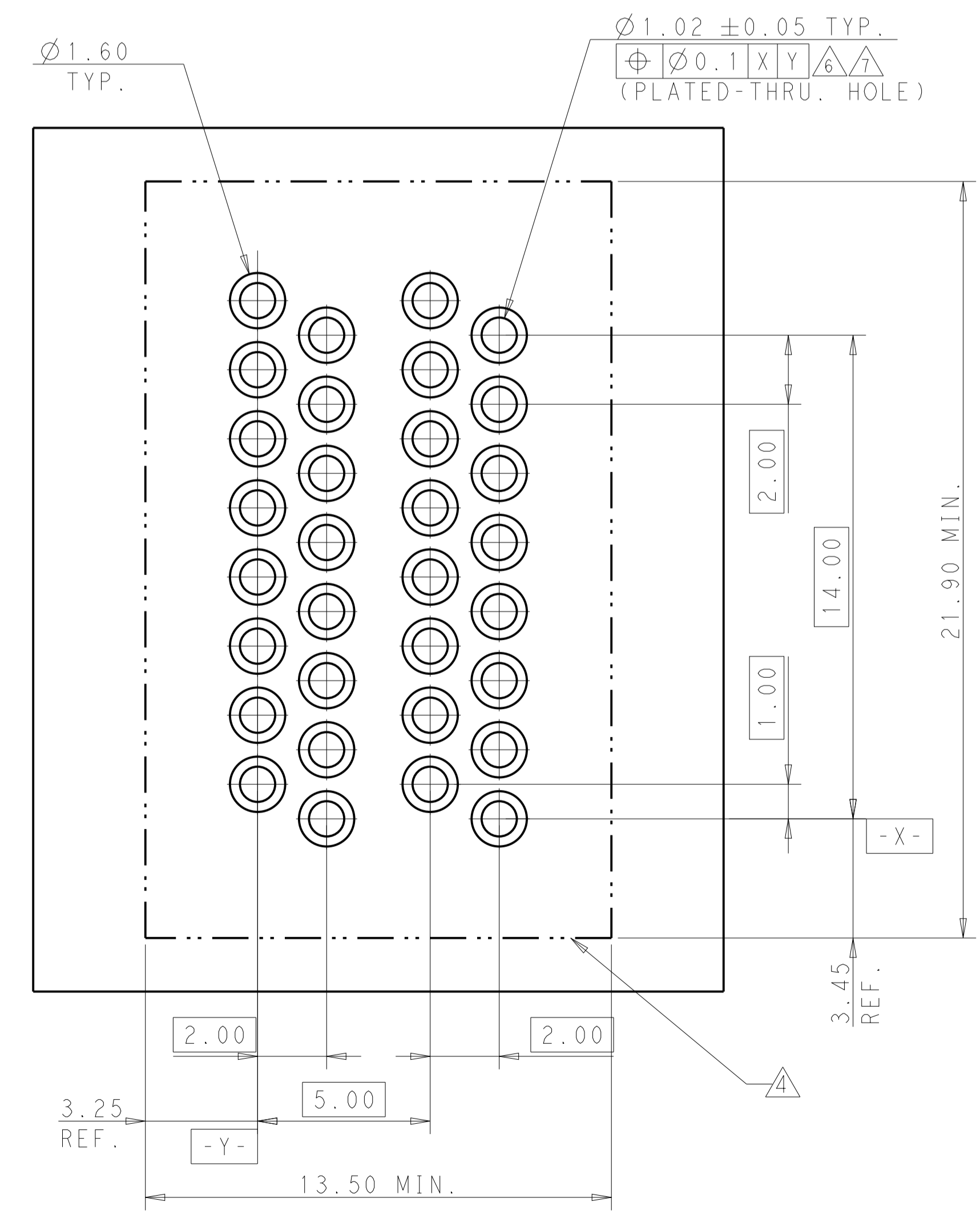
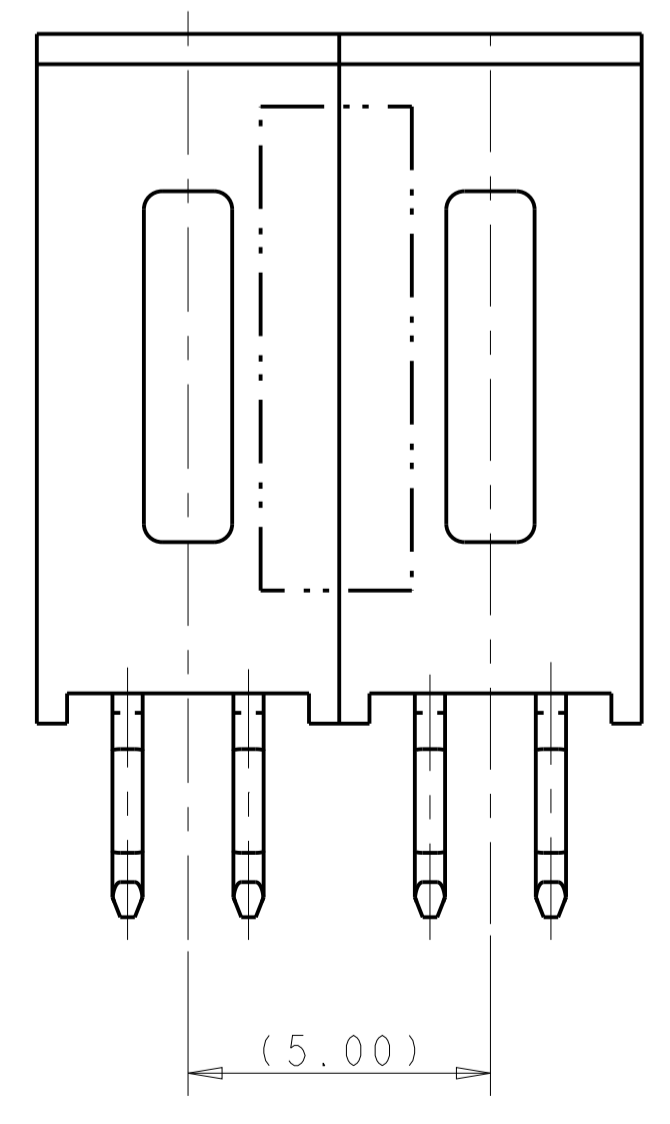


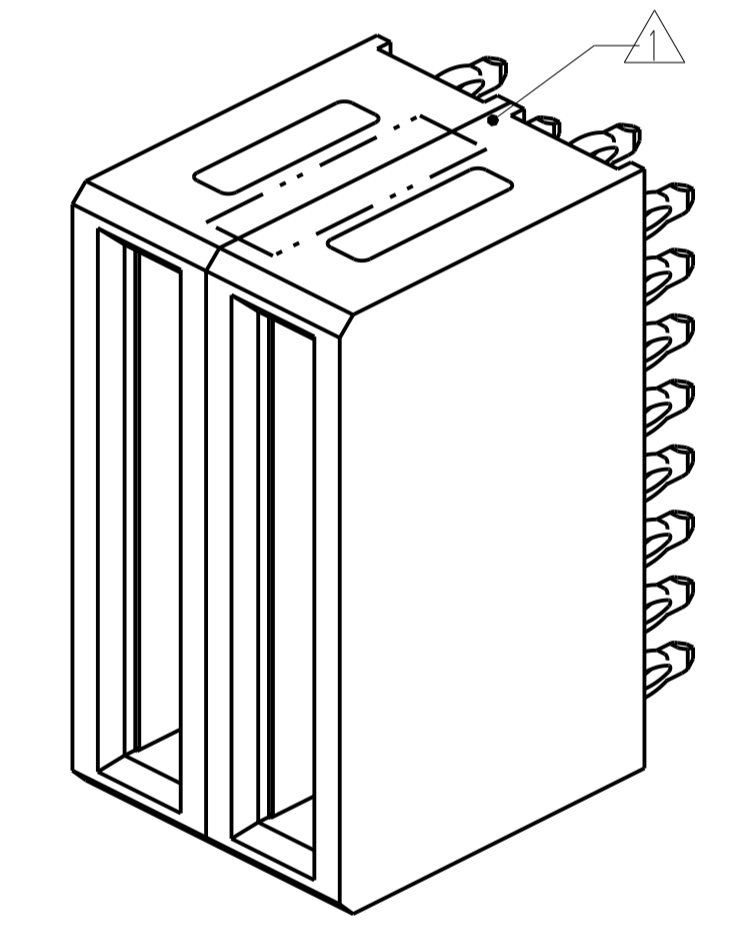
LOC		DIST		REVISIONS			
P	LTN	DESCRIPTION	DATE	DWN	APVD		
A7		ADD NEW DASH NUMBER 1-#-2	17JUNE2020	TZ	SZ		



NOTES, UNLESS OTHERWISE SPECIFIED:
 ▲ "TE", PART NUMBER AND DATE CODE TO BE MARKED IN AREA SHOWN.
 ▲ MATERIAL:
 HOUSING - GLASS FILLED HIGH TEMP THERMO PLASTIC, LCP.
 COLOR: BLACK, UL94 V- 0.
 SIGNAL CONTACT - HIGH CONDUCTIVITY COPPER ALLOY.
 POWER CONTACT - HIGH CONDUCTIVITY COPPER ALLOY.
 ▲ CONTACT PLATING:
 MATING AREA - NOBLE METAL OVERALL NICKEL
 TAIL SIDE AREA - MATTE TIN OVERALL NICKEL.
 ▲ MECHANICAL CONNECTOR KEEP OUT ZONE.
 ▲ DATUM AND BASIC DIMENSIONS ESTABLISHED BY CUSTOMER.
 ▲ PCB - ALL HOLE DIAMETERS ARE FINISHED HOLE SIZES.
 ▲ PCB HOLE:
 POWER - 1.15 ± 0.025 MM DRILLED HOLES SIZE PLATING WITH 0.0076 MM MIN.
 Sn OVER 0.025-0.076 MM Cu PLATING TO ACHIEVE A 1.02 MM DIA. HOLE.



PART NUMBER	POWER	
	P2	P1
2204423-1	PM	PM
2P		



PRELIMINARY	10.00	5.00	2P	1-2204423-2
PRELIMINARY	20.00	5.00	4P	1-2204423-1
PRELIMINARY	26.00	7.00	4HVP	2204423-8
PRELIMINARY	16.00	-	1P+2MP+1P	2204423-7
PRELIMINARY	7.00	-	4LP	2204423-6
PRELIMINARY	12.00	-	4MP	2204423-5
PRELIMINARY	30.00	5.00	6P	2204423-4
PRELIMINARY	20.00	5.00	4P	2204423-3
PRELIMINARY	10.00	5.00	2P	2204423-2
PRELIMINARY	10.00	5.00	2P	2204423-1
	DIM A	DIM B	DESCRIPTION	PART NUMBER

PCB LAYOUT P/N: 2204423-1

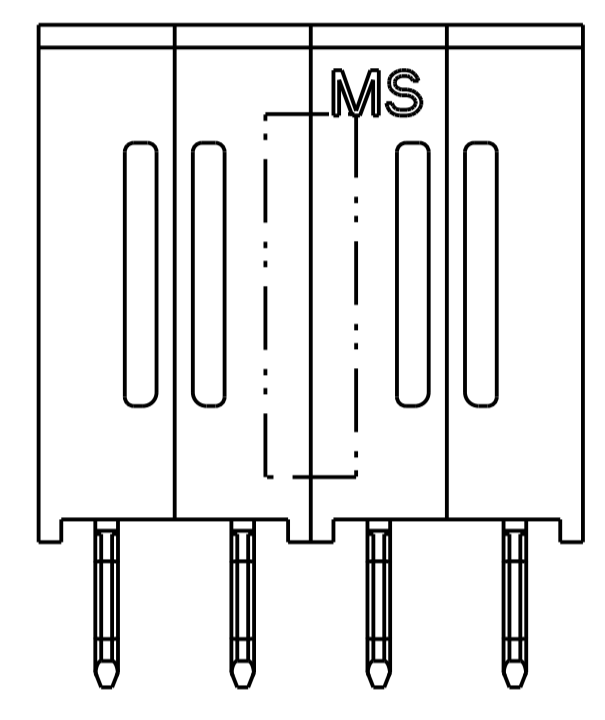
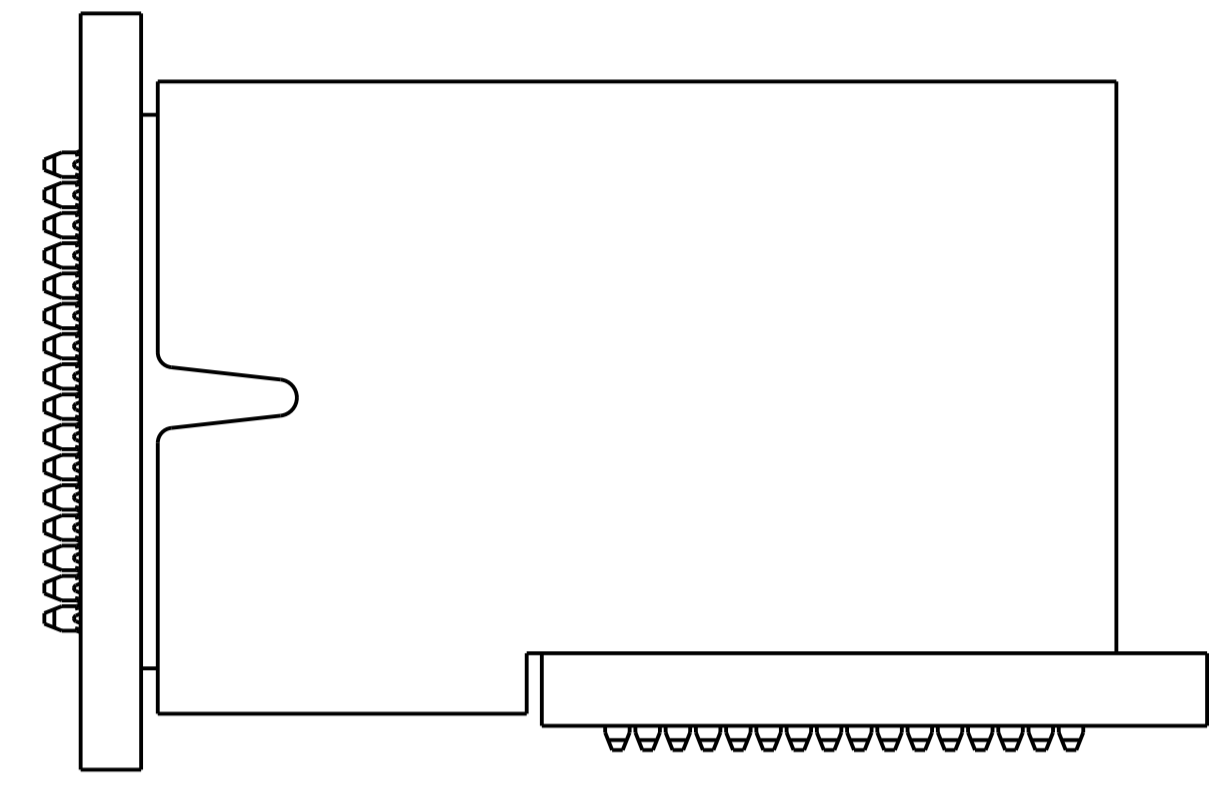
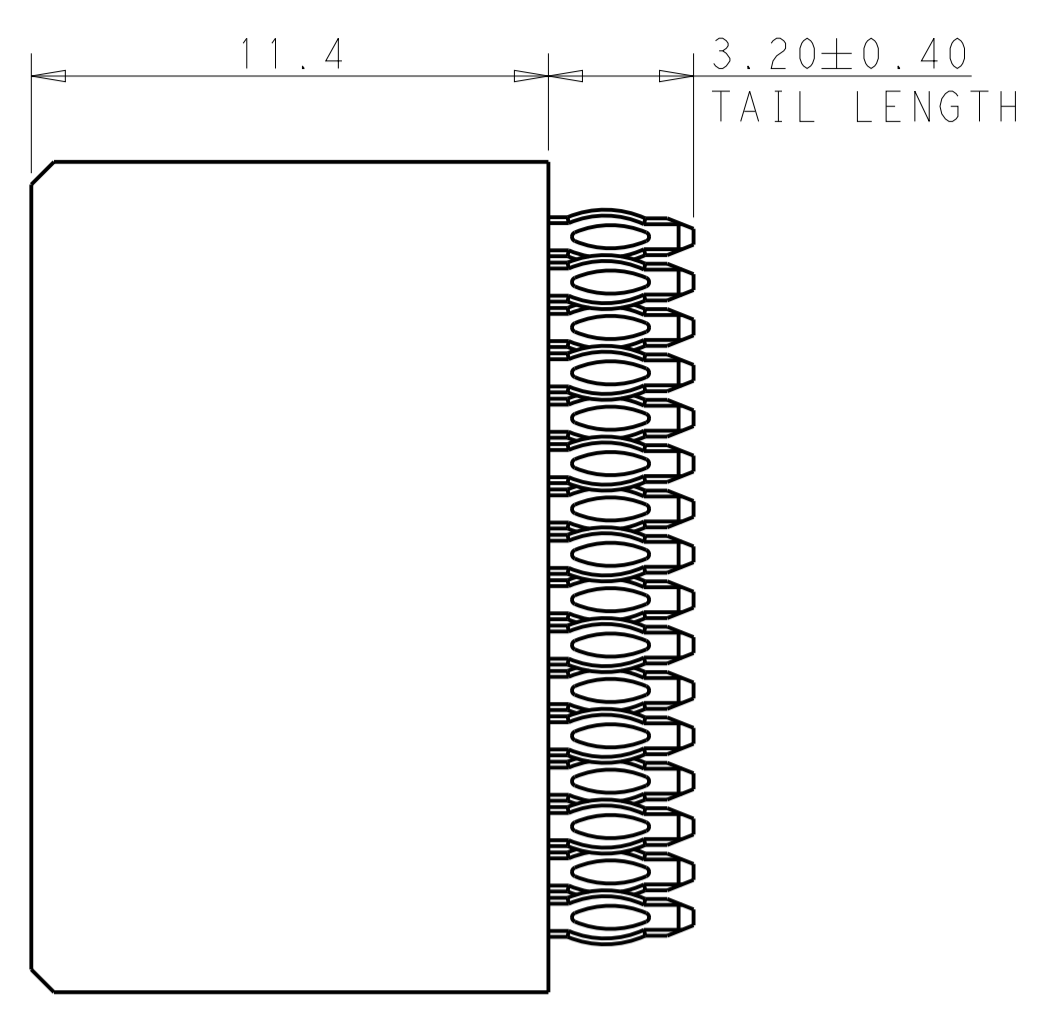
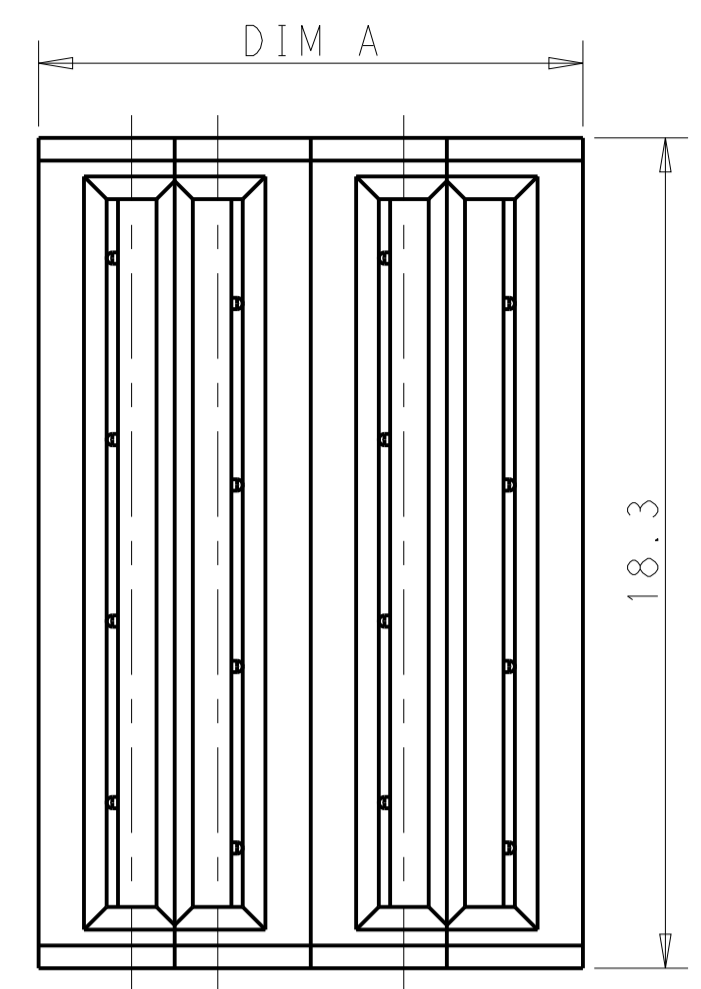
THIS DRAWING IS A CONTROLLED DOCUMENT. DWN THOMAS ZHAO 28JUN2013
 CHK SUNY ZHAO 28JUN2013
 APVD SUNY ZHAO 28JUN2013

STE TE Connectivity

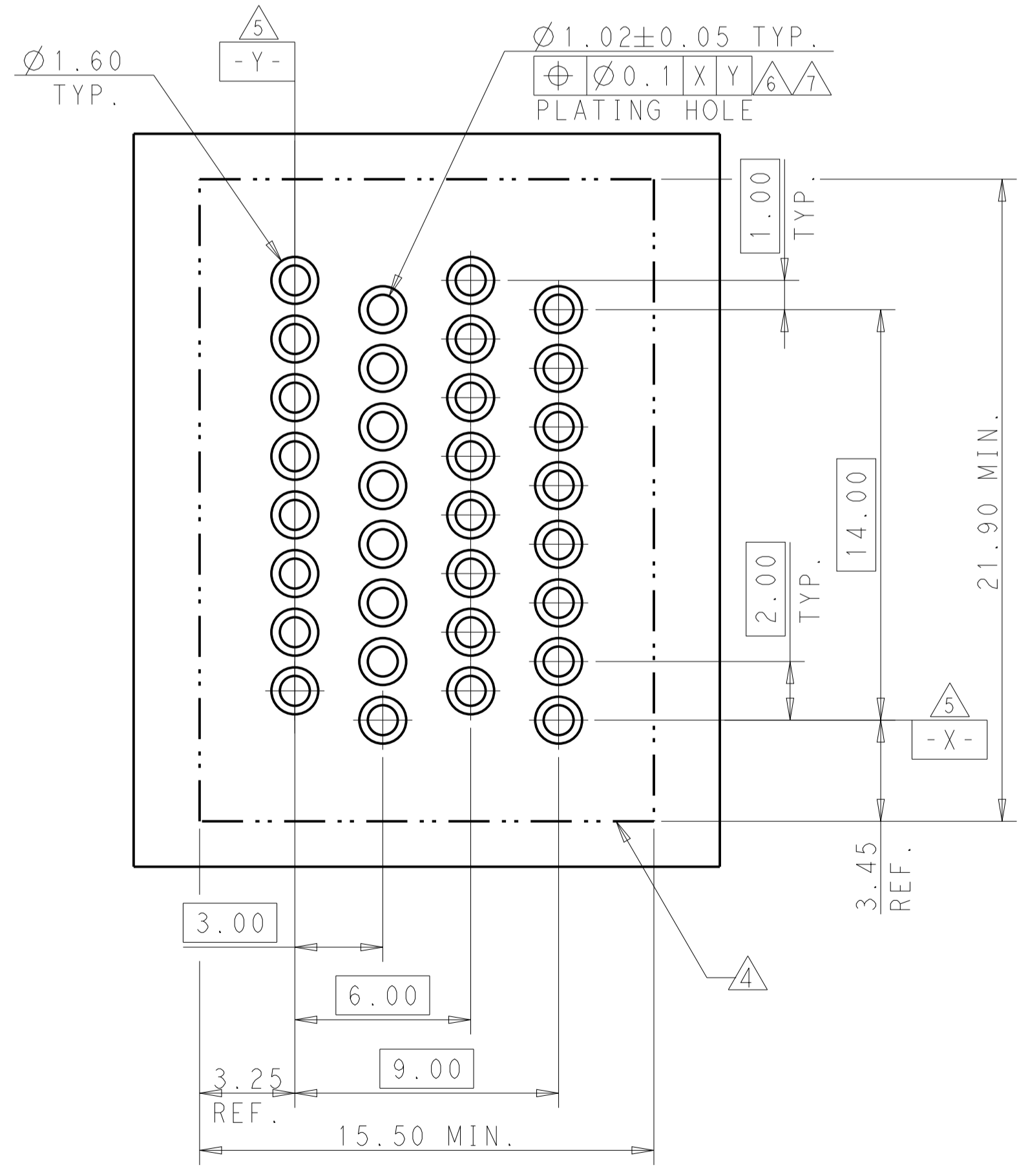
Customer Drawing
 VERTICAL RECEPTACLE PRESS FIT
 MUTIL-BEAM HD W/GUIDELESS

SIZE: A1 CAGE CODE: DRAWING NO: C=2204423
 SCALE: 5:1 SHEET 1 OF 6 REV: A6

LOC		DIST		REVISIONS			
				DESCRIPTION	DATE	DWN	APVD
-	-	-	-	SEE SHEET 1	-	-	-



THE DISTANCE IS 0.05 MM MATING FACE FROM R/A PLUG TO VERTICAL REC.



PART NUMBER	POWER			
	M4	M3	M2	M1
2204423-5	MM	MM	MN	MN
4MP				

DESCRIPTION	CODE
MIDDLE POWER CONTACT MFBL	MM
MIDDLE POWER CONTACT STANDARD	MN
POWER CONTACT MFBL	PM
POWER CONTACT STANDARD	PN

THIS DRAWING IS A CONTROLLED DOCUMENT.

DWN: THOMAS ZHAO 28JUN2013
 CHK: SUNY ZHAO 28JUN2013
 APVD: SUNY ZHAO 28JUN2013

DIMENSIONS: mm
 TOLERANCES UNLESS OTHERWISE SPECIFIED:
 0 PLC ±0.4
 1 PLC ±0.4
 2 PLC ±0.25
 3 PLC ±0.15
 4 PLC ±0.15
 ANGLES ±°

MATERIAL: -
 FINISH: -

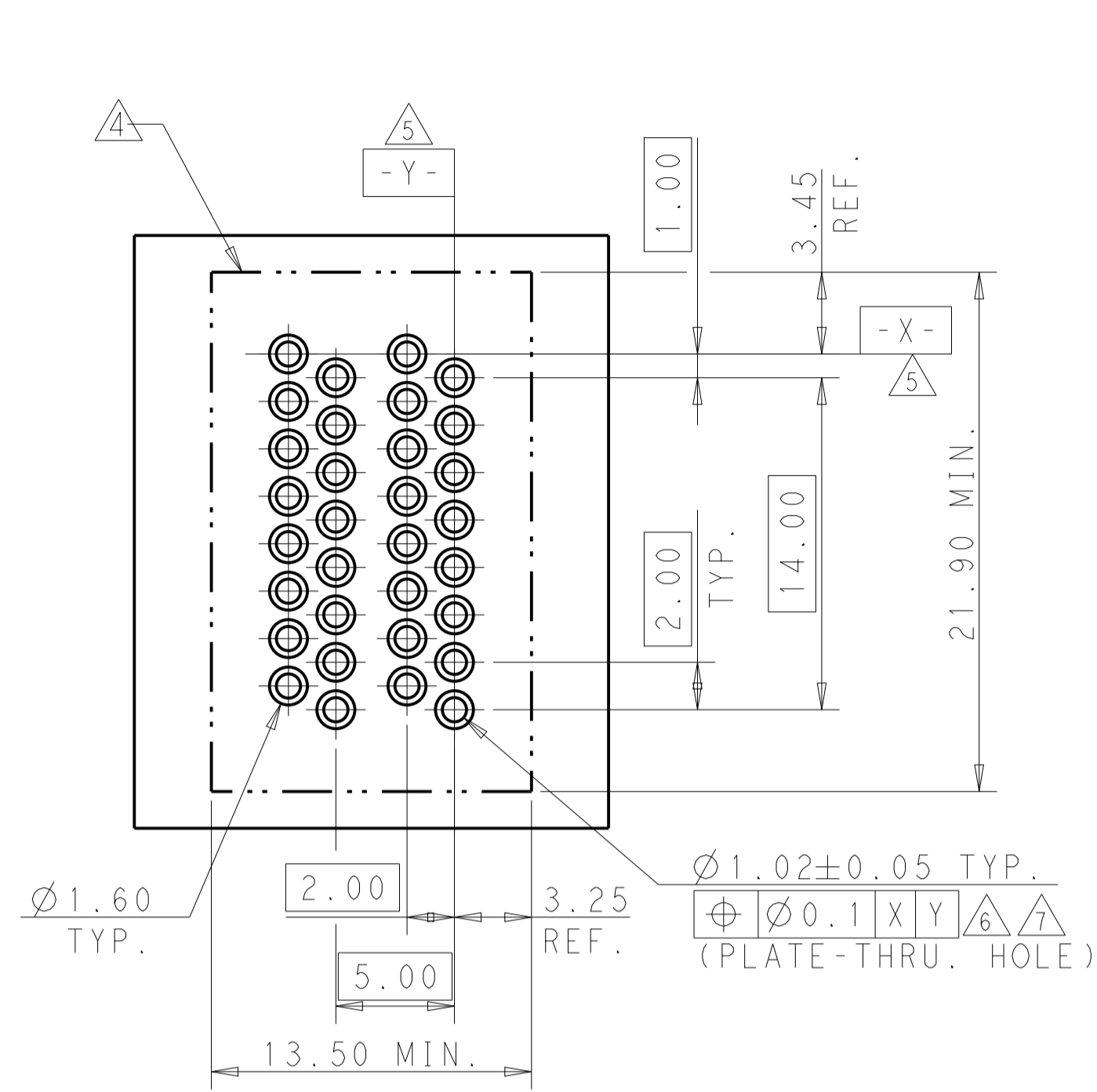
WEIGHT: -
 CUSTOMER DRAWING

NAME: Customer Drawing
 PRODUCT SPEC: VERTICAL RECEPTACLE PRESS FIT
 APPLICATION SPEC: MUTIL-BEAM HD W/GUIDELESS

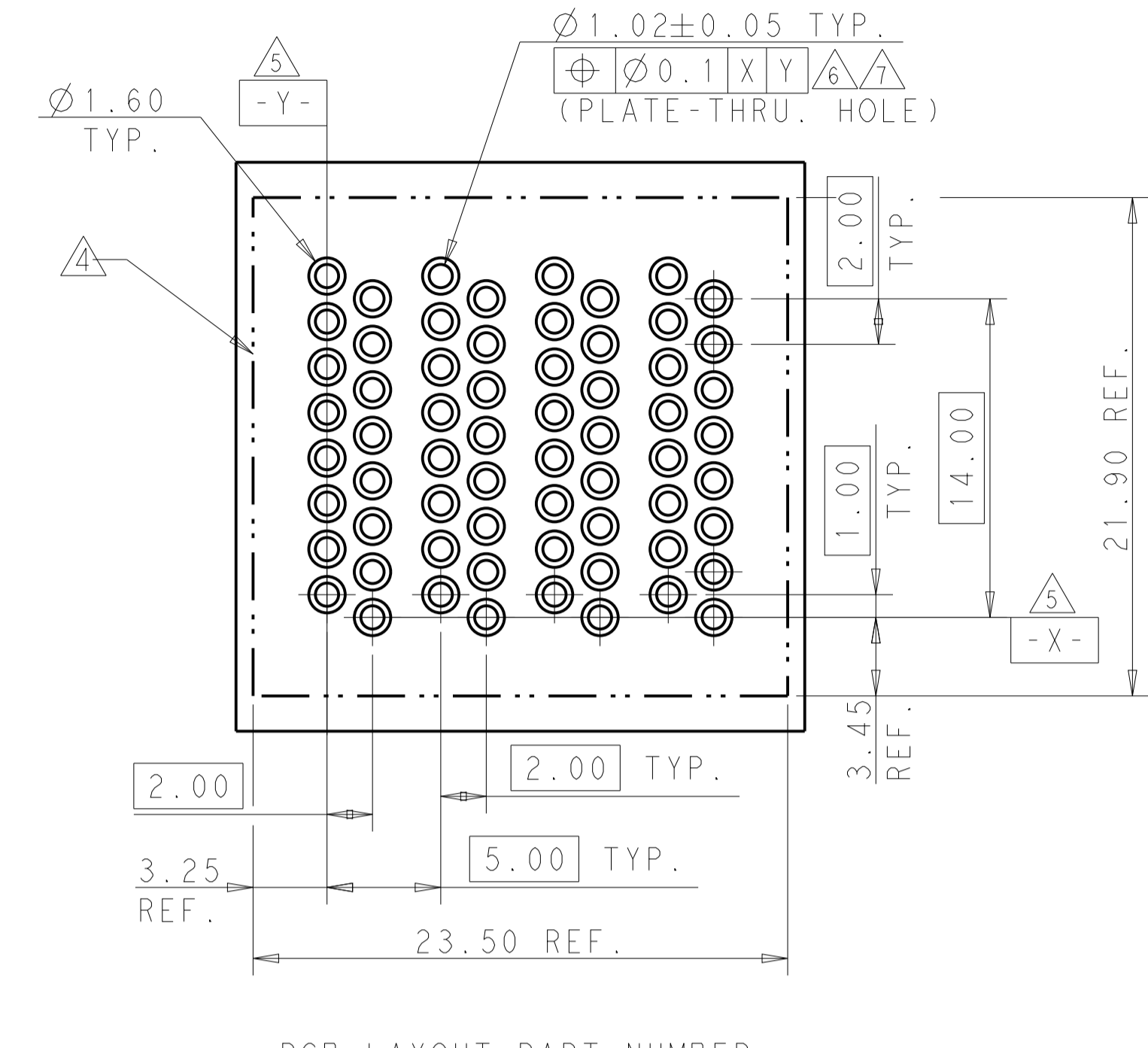
SIZE: A1
 CAGE CODE: -
 DRAWING NO: 2204423

RESTRICTED TO: -
 SCALE: 5:1
 SHEET: 2 OF 6
 REV: A6

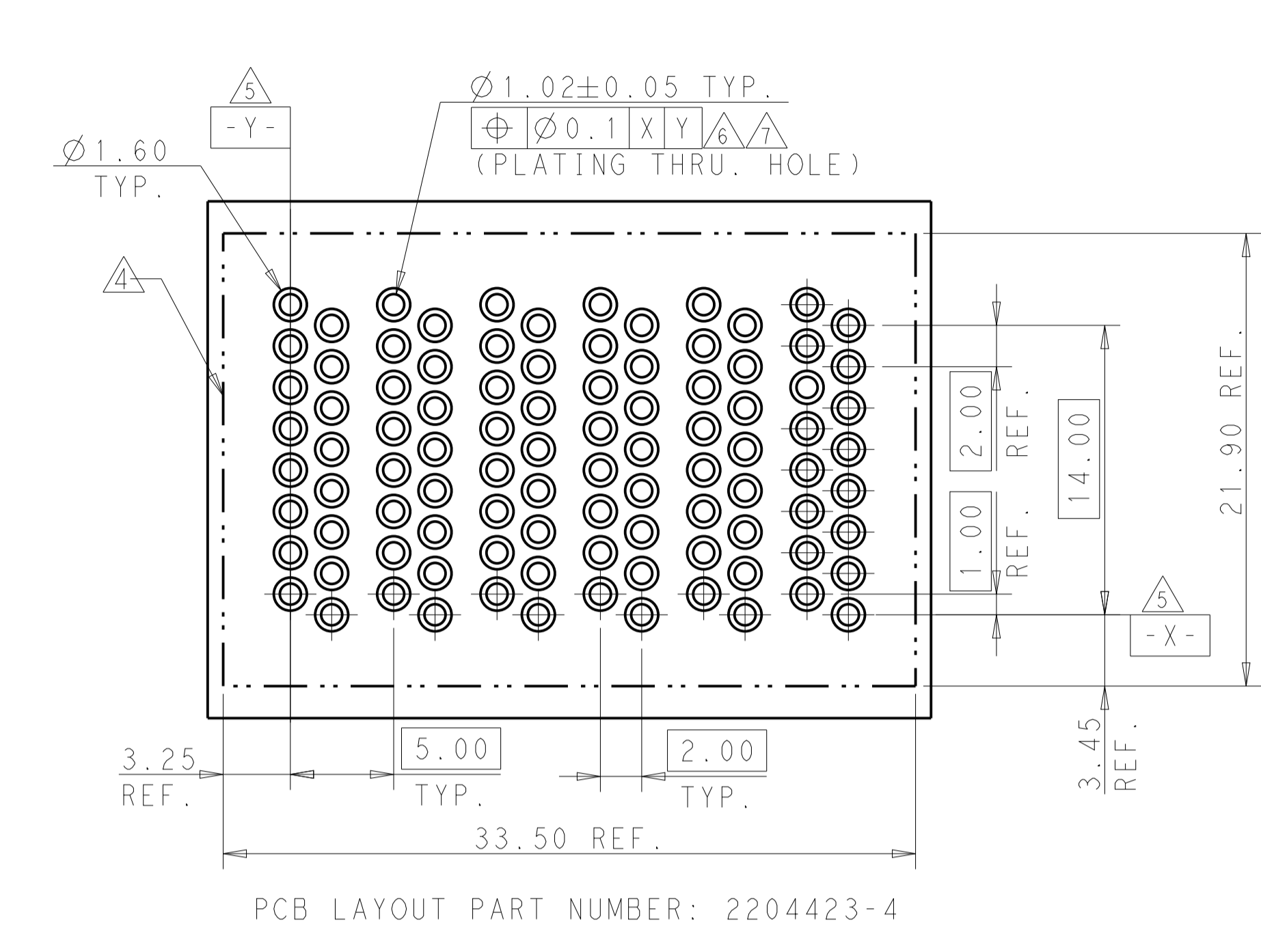
LOC		DIST		REVISIONS			
				REV	DATE	BY	APPV
-	-	-	-	1	28JUN2013	SUNY ZHAO	THOMAS ZHAO
-	-	-	-	2	28JUN2013	SUNY ZHAO	SUNY ZHAO
-	-	-	-	3	28JUN2013	SUNY ZHAO	SUNY ZHAO



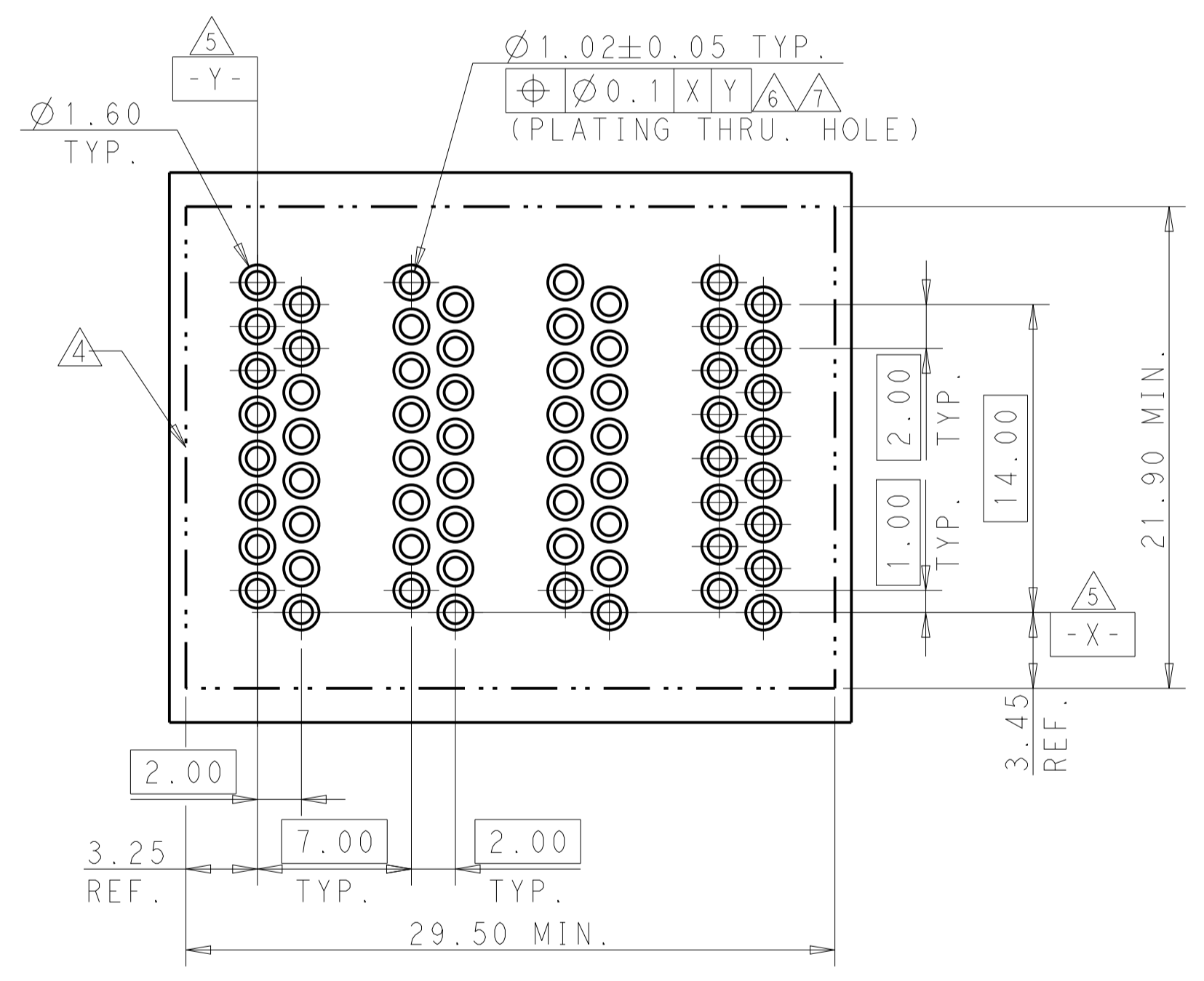
PCB LAYOUT PART NUMBER: 2204423-2



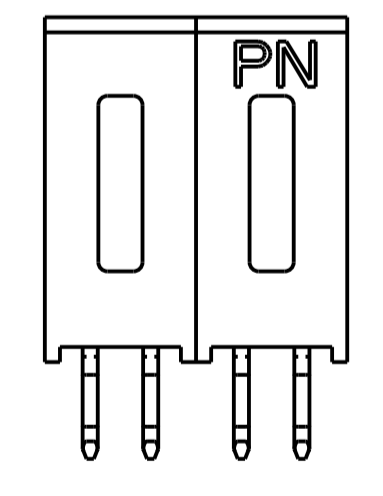
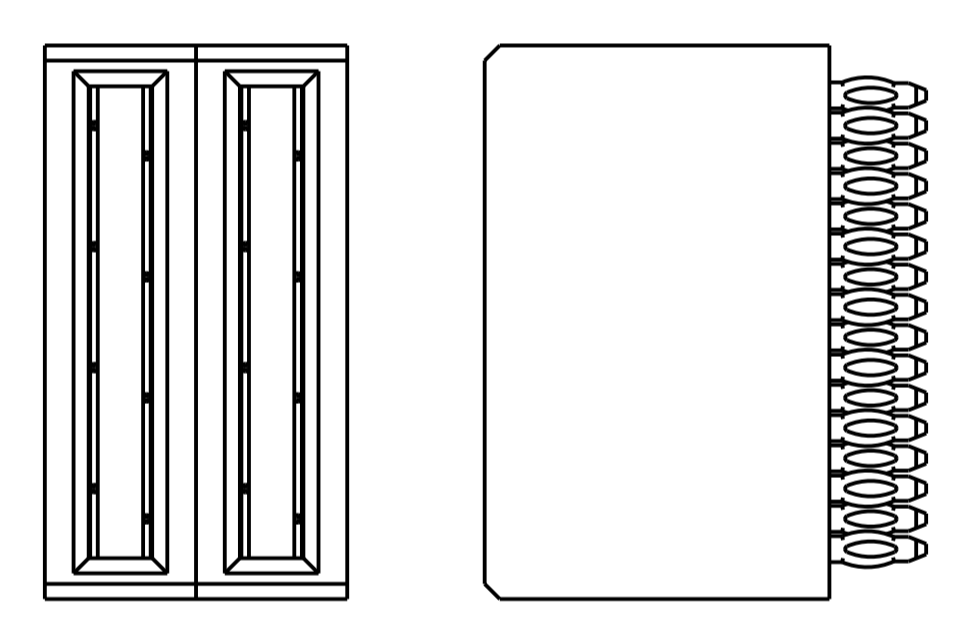
PCB LAYOUT PART NUMBER: 2204423-3/1-2204423-1



PCB LAYOUT PART NUMBER: 2204423-4



PCB LAYOUT PART NUMBER: 2204423-8



PART NUMBER: 2204423-2

PART NUMBER	POWER	
	P2	P1
2204423-2	PM	PM
2P		

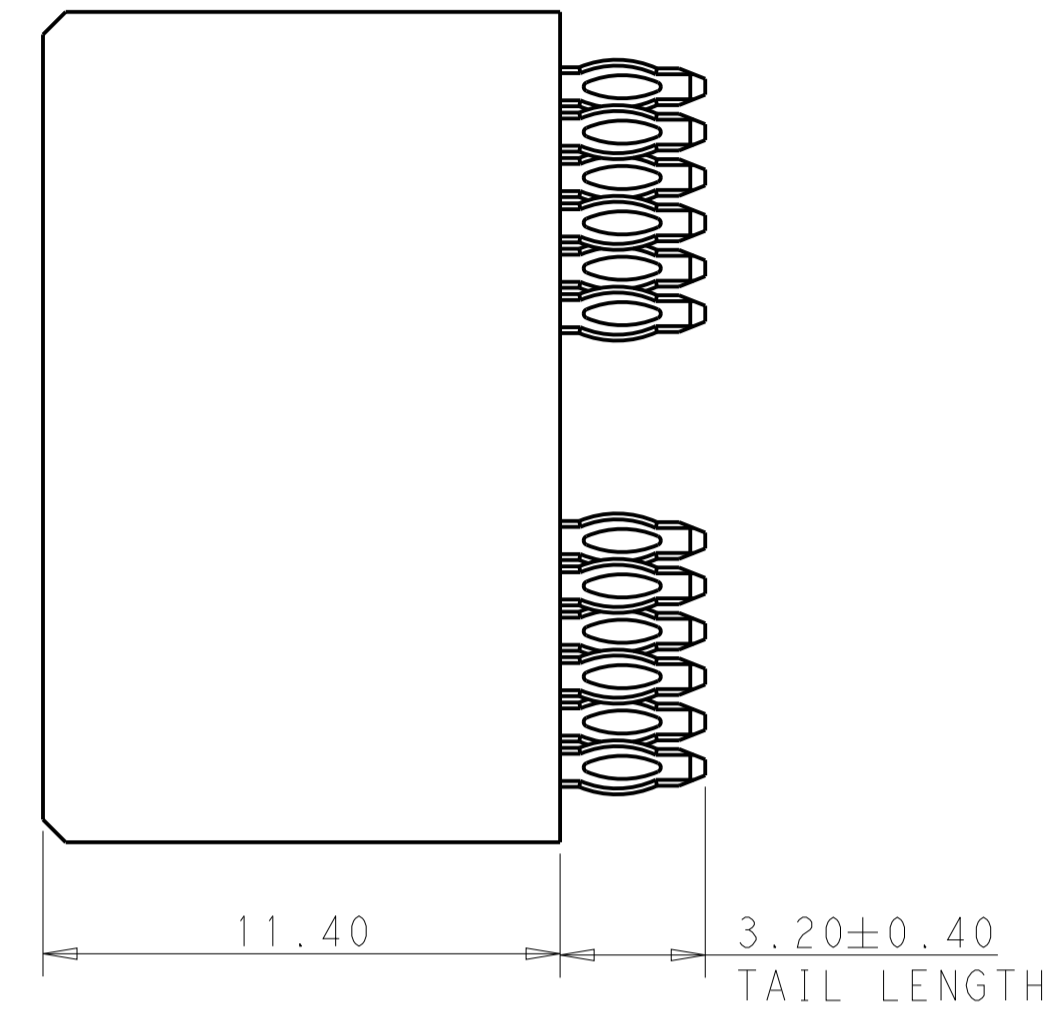
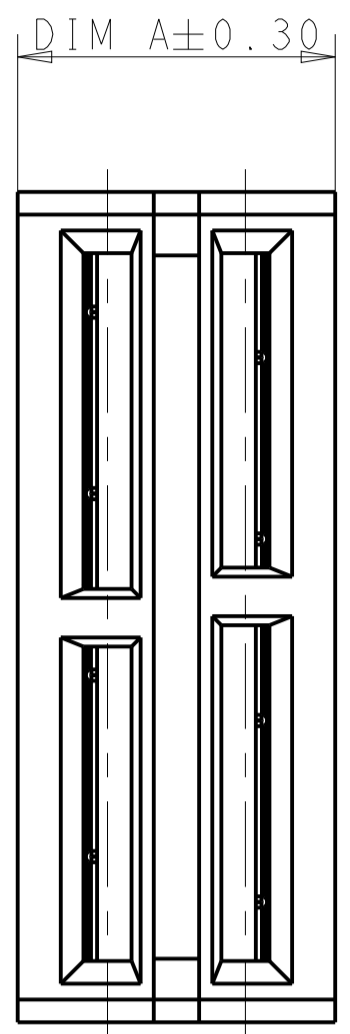
PART NUMBER	POWER			
	P4	P3	P2	P1
2204423-3	PM	PM	PM	PM
4P				

PART NUMBER	POWER					
	P6	P5	P4	P3	P2	P1
2204423-4	PM	PM	PM	PM	PM	PM
6P						

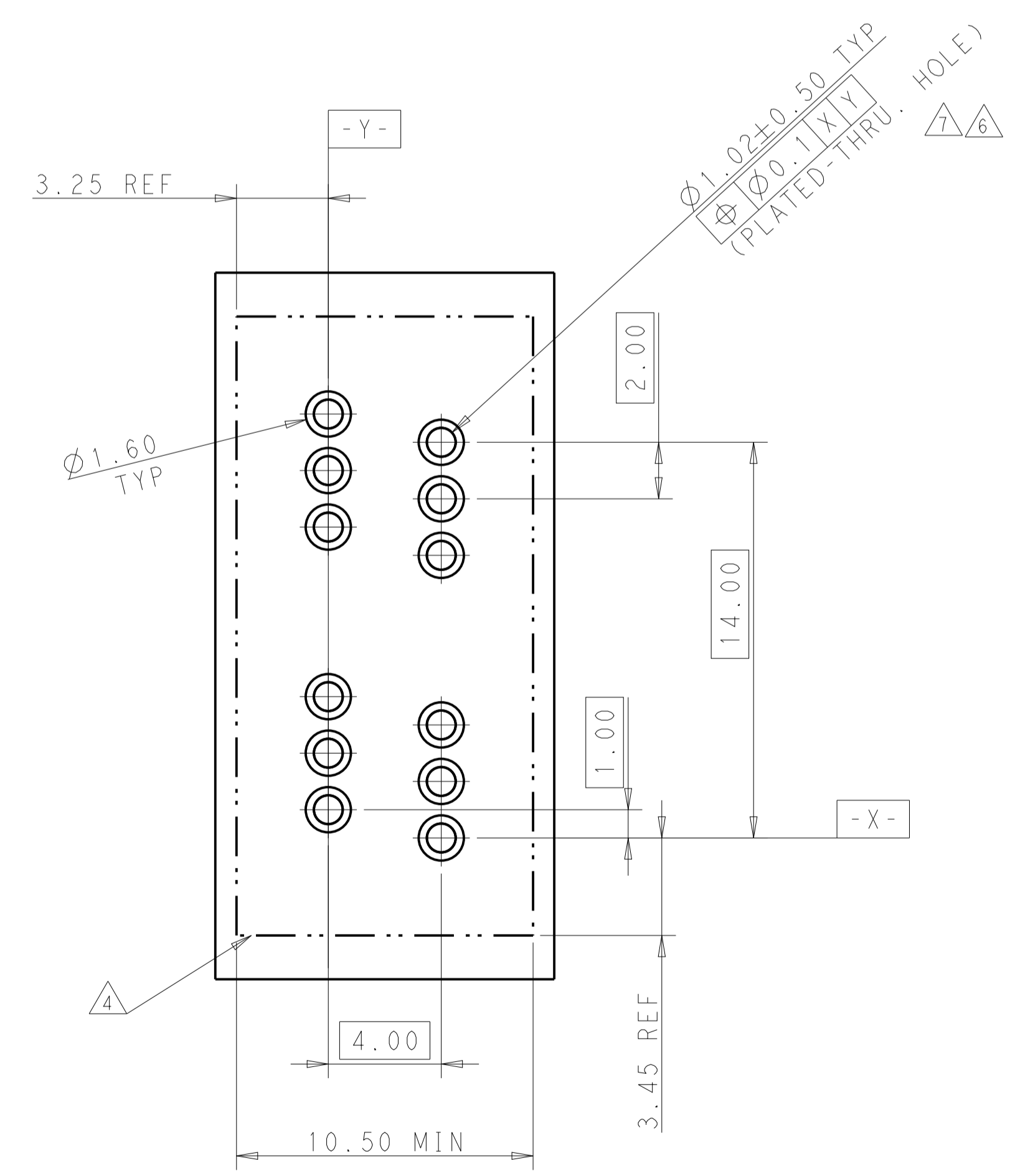
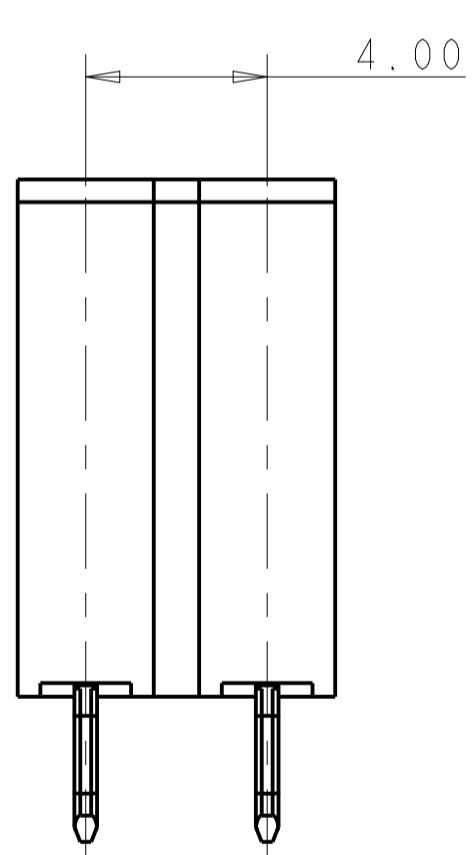
PART NUMBER	POWER			
	P4	P3	P2	P1
2204423-8	PM	PM	PM	PM
4HVP				

THIS DRAWING IS A CONTROLLED DOCUMENT.		OWN: THOMAS ZHAO 28JUN2013	TE Connectivity
DIMENSIONS: mm		CHK: SUNY ZHAO 28JUN2013	
TOLERANCES UNLESS OTHERWISE SPECIFIED: 0 PLC ±0.4 1 PLC ±0.4 2 PLC ±0.25 3 PLC ±0.15 4 PLC ±0.15 ANGLES ±°		NAME: SUNY ZHAO 28JUN2013 PRODUCT SPEC: APPLICATION SPEC: WEIGHT: MATERIAL:	
MATERIAL: FINISH:		SIZE: A1 CAGE CODE: 2204423 CUSTOMER DRAWING	RESTRICTED TO: SCALE: 5:1 SHEET: 3 OF 6 REV: A6

LOC		DIST		REVISIONS			
				REV	DATE	BY	APPD
-	-	-	-	-	-	-	-
-	-	-	-	-	SEE SHEET 1	-	-

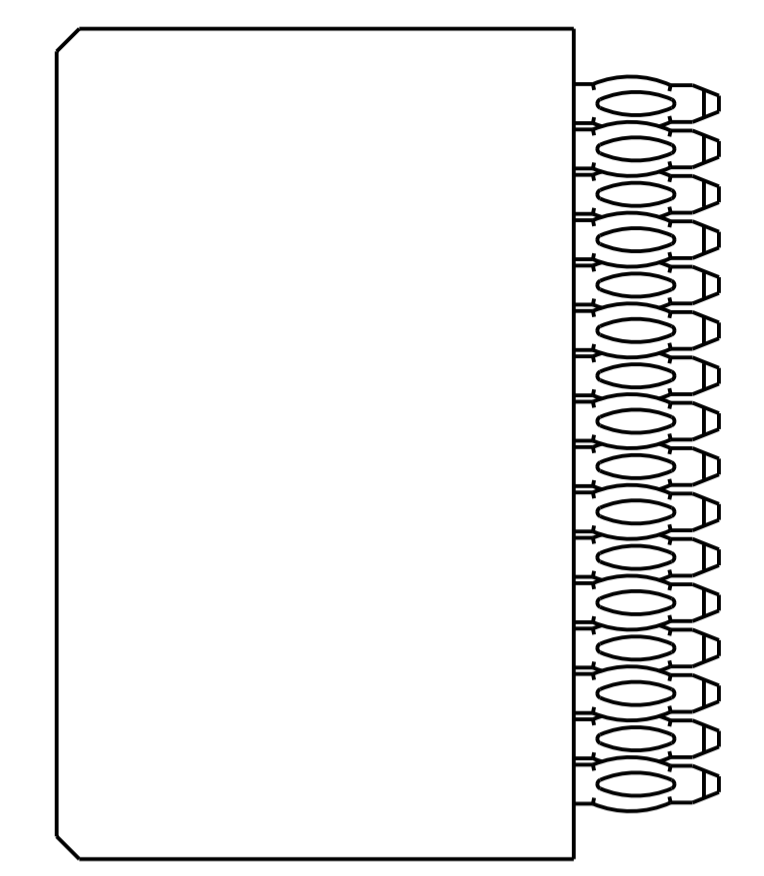
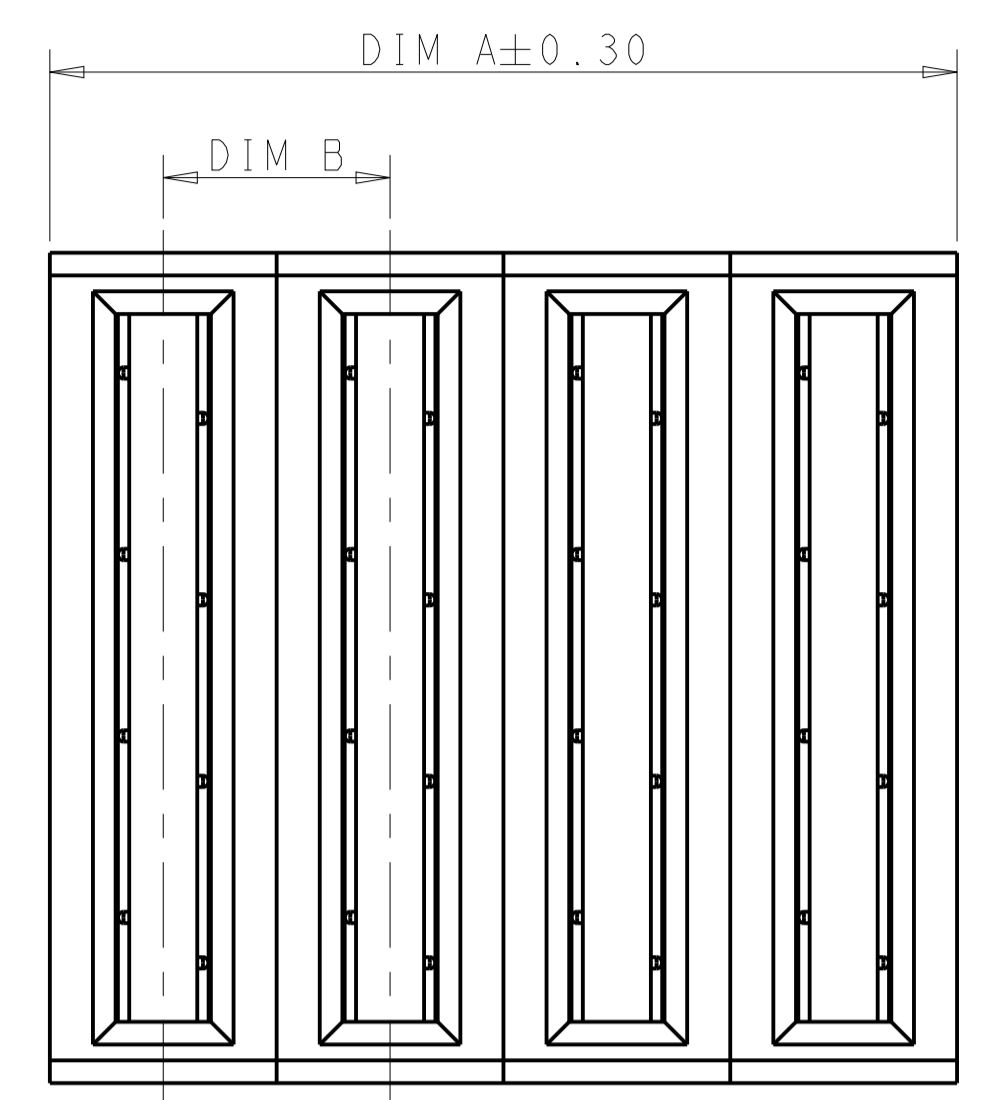
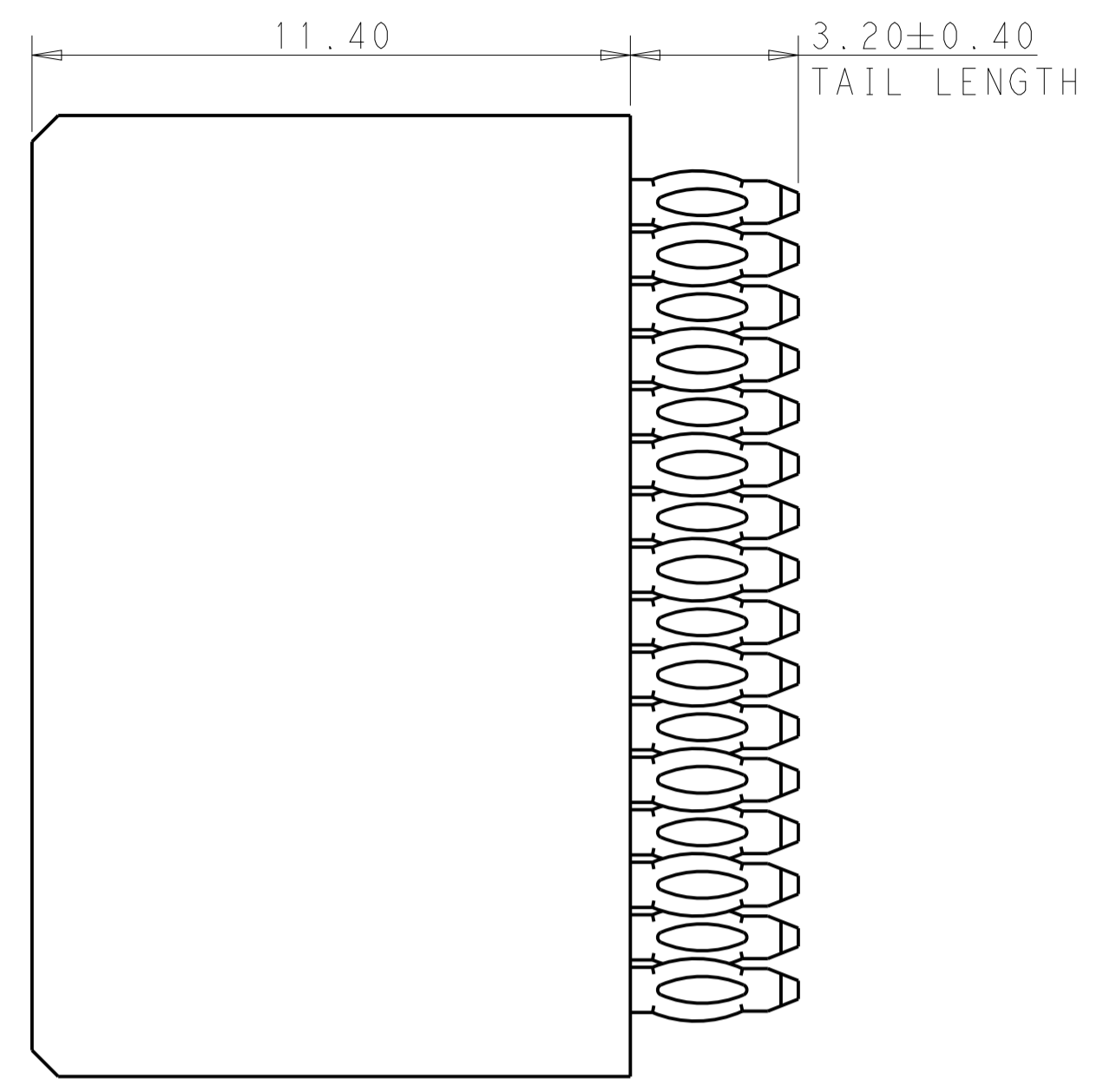
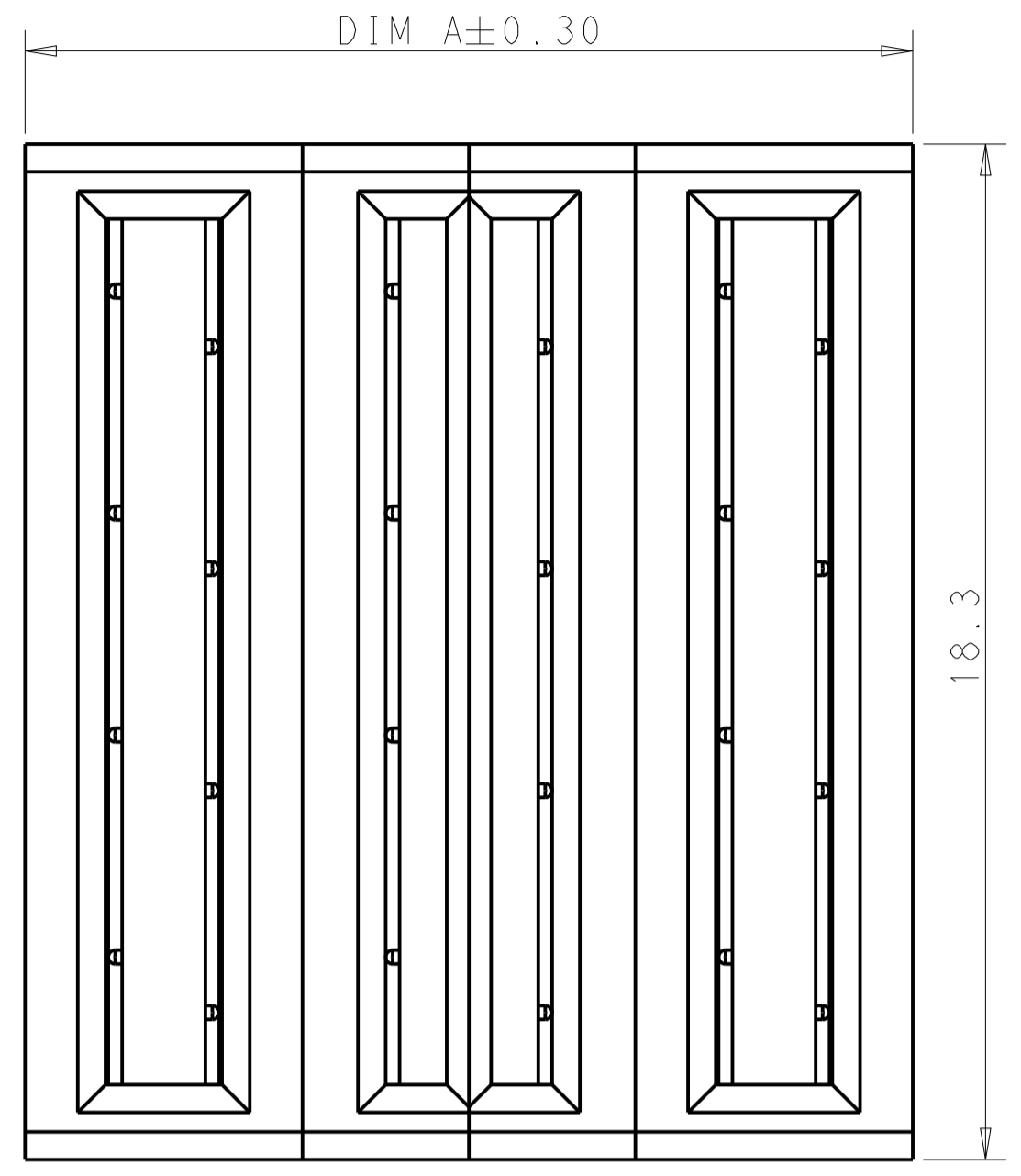


PART NUMBER	POWER	
	LP2	LPI
2204423-6	LM1	LM1
	LM2	LM2
4LP		

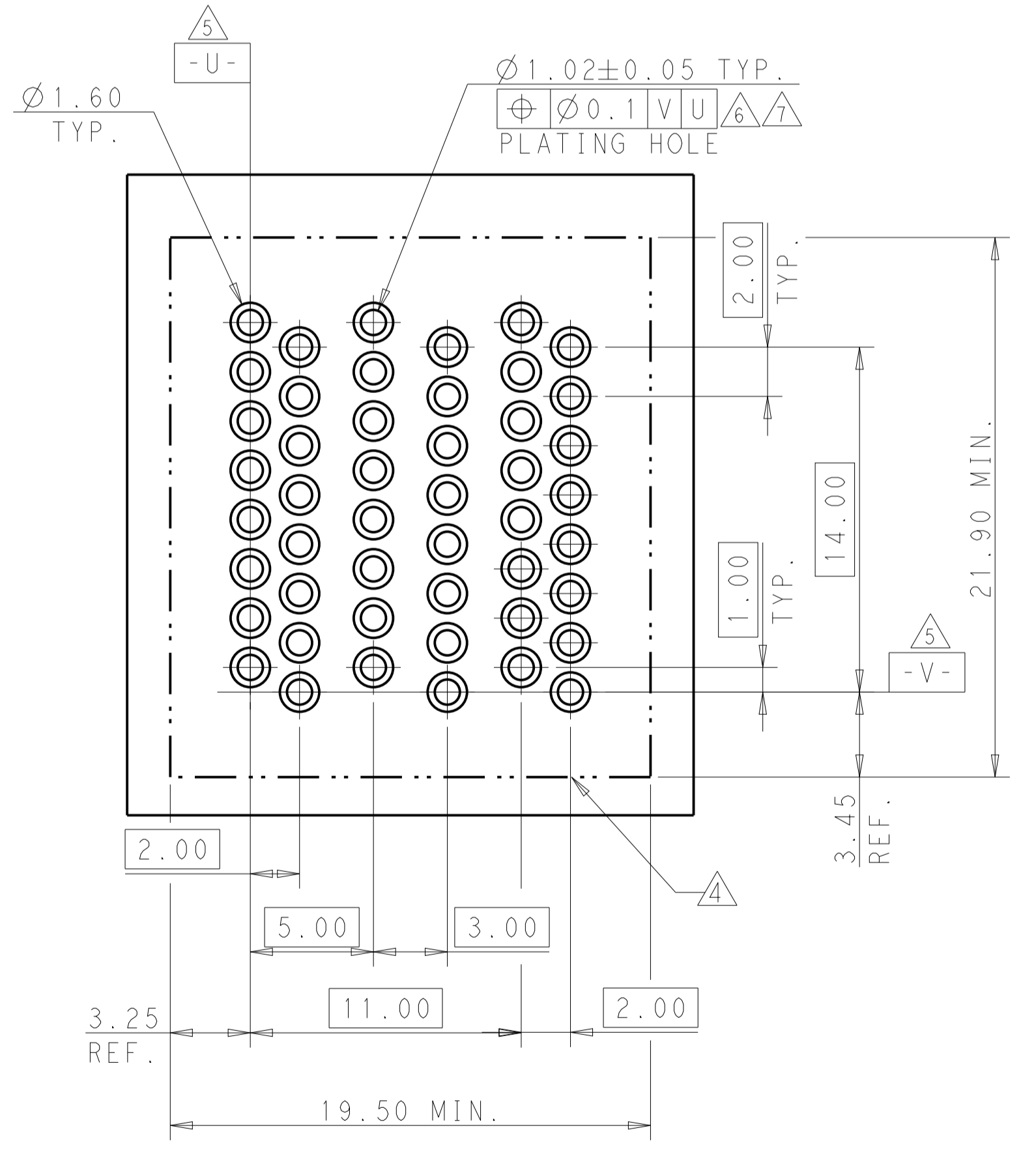


LP TOP CONTACT MFBL PRESS FIT	LM1
LP BOTTOM CONTACT MFBL PRESS FIT	LM2
DESCRIPTION	IDENTIFIER

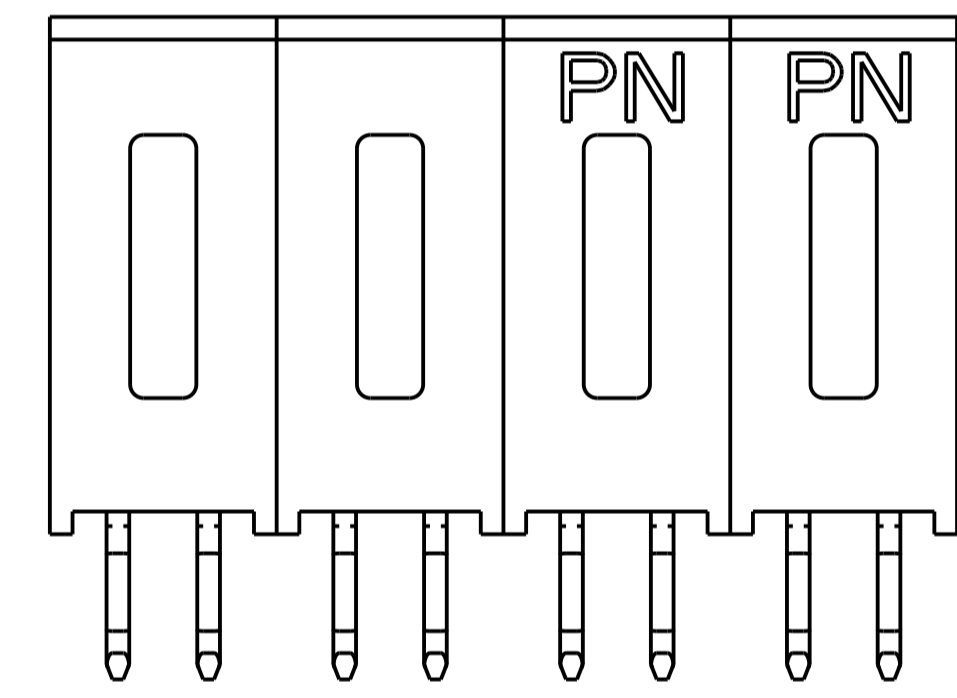
THIS DRAWING IS A CONTROLLED DOCUMENT.		OWN: THOMAS_ZHAO 28JUN2013	TE Connectivity
DIMENSIONS: mm		CHK: SUNY_ZHAO 28JUN2013	
TOLERANCES UNLESS OTHERWISE SPECIFIED:		APVD: SUNY_ZHAO 28JUN2013	CUSTOMER DRAWING SCALE: 5:1 SHEET 4 OF 6 REV A6
0 PLC ± .4 1 PLC ± 0.4 2 PLC ± 0.25 3 PLC ± 0.15 4 PLC ± .3 ANGLES ± .5		NAME: SUNY_ZHAO 28JUN2013 PRODUCT SPEC: APPLICATION SPEC: WEIGHT: RESTRICTED TO:	
MATERIAL: -		FINISH: -	SIZE: A1 CAGE CODE: - DRAWING NO: 2204423



LOC	DIST	REV	DATE	BY	APPV
-	-	1	-	-	-
REVISIONS			DESCRIPTION		
-			SEE SHEET 1	-	-



PART NUMBER	POWER			
	P2	M2	M1	P1
2204423-7	PM	MM	MM	PM
IP+2MP+IP				



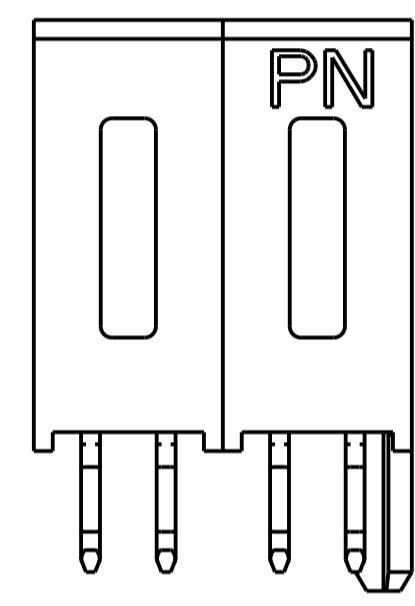
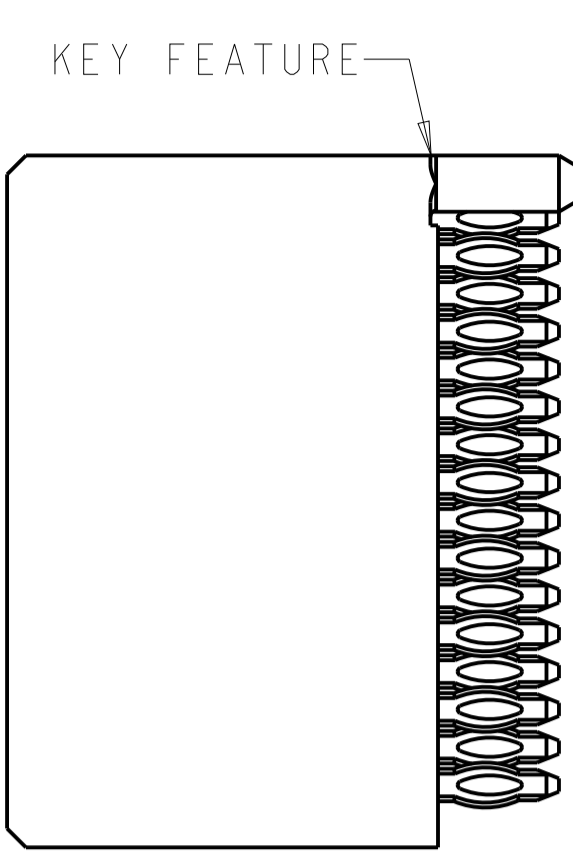
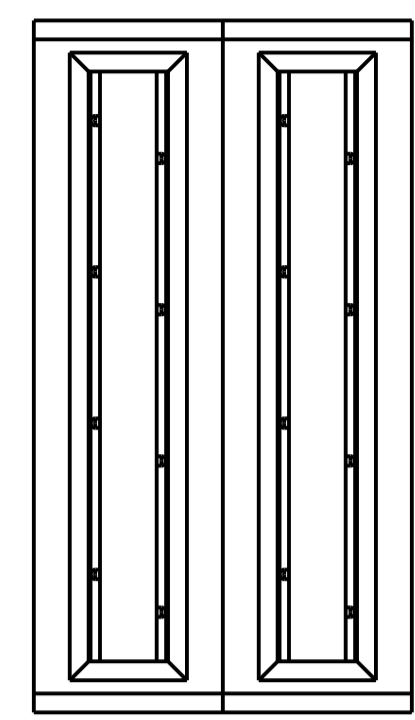
PART NUMBER: 1-2204423-1
PCB LAYOUT REFER: 2204423-3

PART NUMBER	POWER			
	P4	P3	P2	P1
1-2204423-1	PM	PM	PN	PN
4P				

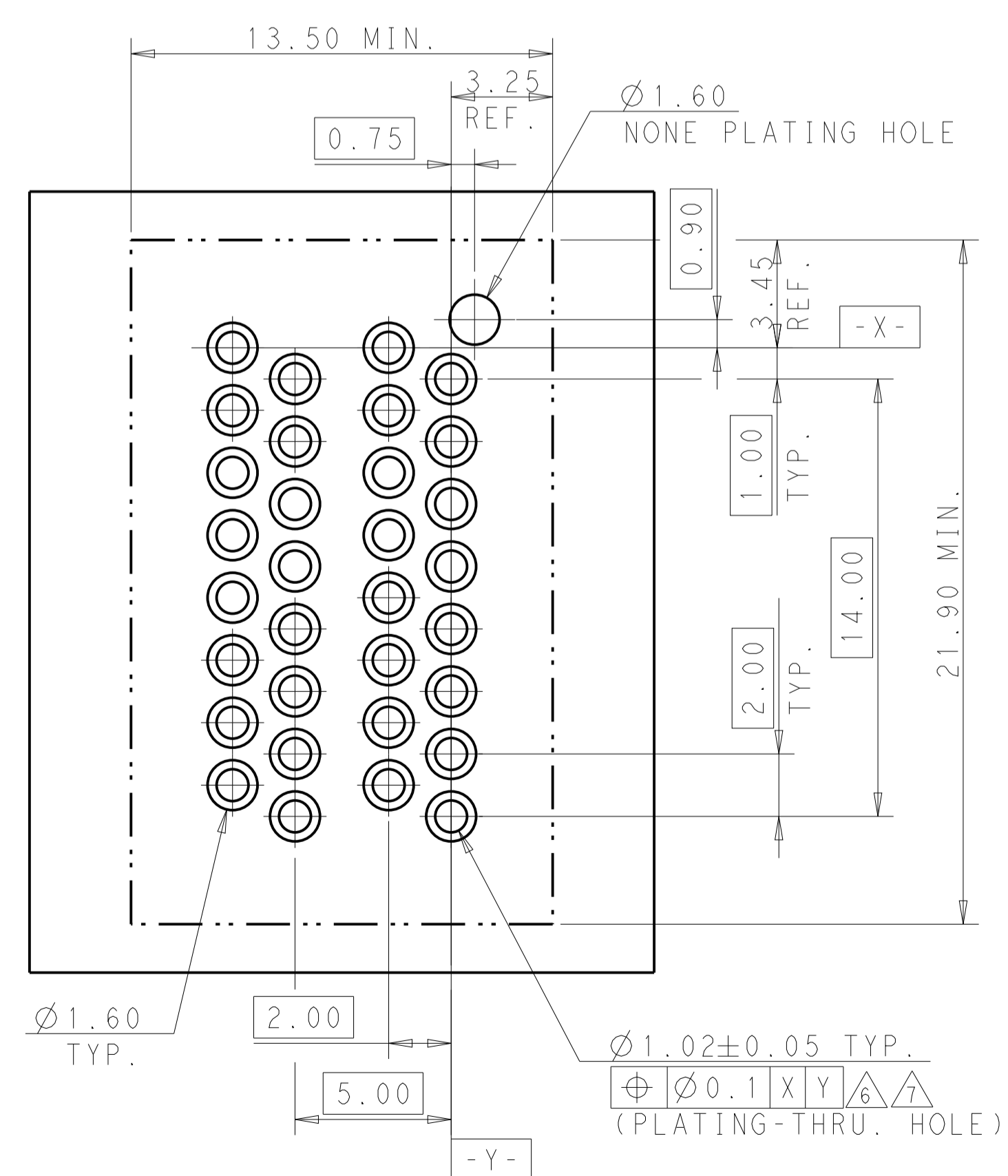
PCB LAYOUT PART NUMBER: 2204423-7

THIS DRAWING IS A CONTROLLED DOCUMENT.		DWN THOMAS_ZHAO 28JUN2013 CHK SUNY_ZHAO 28JUN2013 APVD SUNY_ZHAO 28JUN2013	TE Connectivity
DIMENSIONS: mm	TOLERANCES UNLESS OTHERWISE SPECIFIED: 0 PLC ±0.4 1 PLC ±0.4 2 PLC ±0.25 3 PLC ±0.15 4 PLC ±0.15 ANGLES ±°	NAME Customer Drawing PRODUCT SPEC VERTICAL RECEPTACLE PRESS FIT APPLICATION SPEC MUTIL-BEAM HD W/GUIDELESS	
MATERIAL	FINISH	WEIGHT CUSTOMER DRAWING	SIZE A1 CAGE CODE DRAWING NO. C=2204423 SCALE 5:1 SHEET 5 OF 6 REV A6

LOC		DIST		REVISIONS			
P	LTN	DESCRIPTION	DATE	DWN	APVD		
-	-	SEE SHEET 1	-	-	-		



PART NUMBER	POWER	
	P2	P1
1-2204423-2	PM	PN
2P		



PCB LAYOUT PART NUMBER: 1-2204423-2

THIS DRAWING IS A CONTROLLED DOCUMENT.		DWN THOMAS_ZHAO 28JUN2013	TE Connectivity
DIMENSIONS: mm		CHK SUNY_ZHAO 28JUN2013	
TOLERANCES UNLESS OTHERWISE SPECIFIED:		APVD SUNY_ZHAO 28JUN2013	NAME Customer Drawing
0 PLC ±0.4			PRODUCT SPEC VERTICAL RECEPTACLE PRESS FIT
1 PLC ±0.4			APPLICATION SPEC MUTIL-BEAM HD W/GUIDELESS
2 PLC ±0.75			SIZE A1
3 PLC ±0.75			CAGE CODE -
4 PLC ±0.15			DRAWING NO. C=2204423
ANGLES ±°			RESTRICTED TO -
MATERIAL -	FINISH -	WEIGHT -	CUSTOMER DRAWING
		SCALE 5:1	SHEET 6 OF 6
			REV A6

X-ON Electronics

Largest Supplier of Electrical and Electronic Components

Click to view similar products for [Power to the Board](#) category:

Click to view products by [TE Connectivity](#) manufacturer:

Other Similar products are found below :

[6450171-4](#) [6450552-7](#) [6600323-8](#) [6643429-1](#) [6646040-2](#) [6651939-1](#) [6766604-1](#) [120959-1](#) [1393557-2](#) [1393532-2](#) [1393532-3](#) [1393532-4](#)
[1393557-1](#) [1600812-5](#) [1-6450861-2](#) [1744132-7](#) [1761122-1](#) [1766250-1](#) [1892109-1](#) [2-6450860-5](#) [2-6450870-0](#) [1-6450161-4](#) [1-6450850-6](#) [1-6450869-6](#) [1645526-2](#) [1-6600130-0](#) [2005243-2](#) [377-0020-11130](#) [TE34-12-16P-F0](#) [5-6450830-6](#) [5646956-4](#) [377-0080-11131A](#) [4-6450830-9](#)
[4-6600333-3](#) [10125416-4050LF](#) [6600320-3](#) [3-6450860-5](#) [1888123-2](#) [6450166-1](#) [6643978-1](#) [6766605-1](#) [701-15-02109](#) [N11444](#) [6651938-1](#)
[6450810-7](#) [46437-1112](#) [1-1589677-8](#) [5646956-5](#) [6450813-2](#) [6450129-4](#)