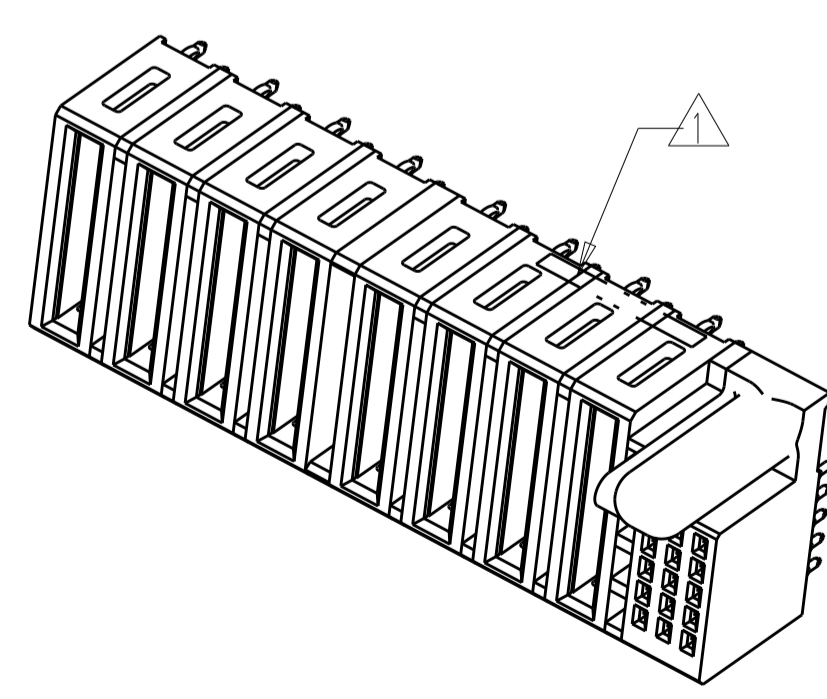
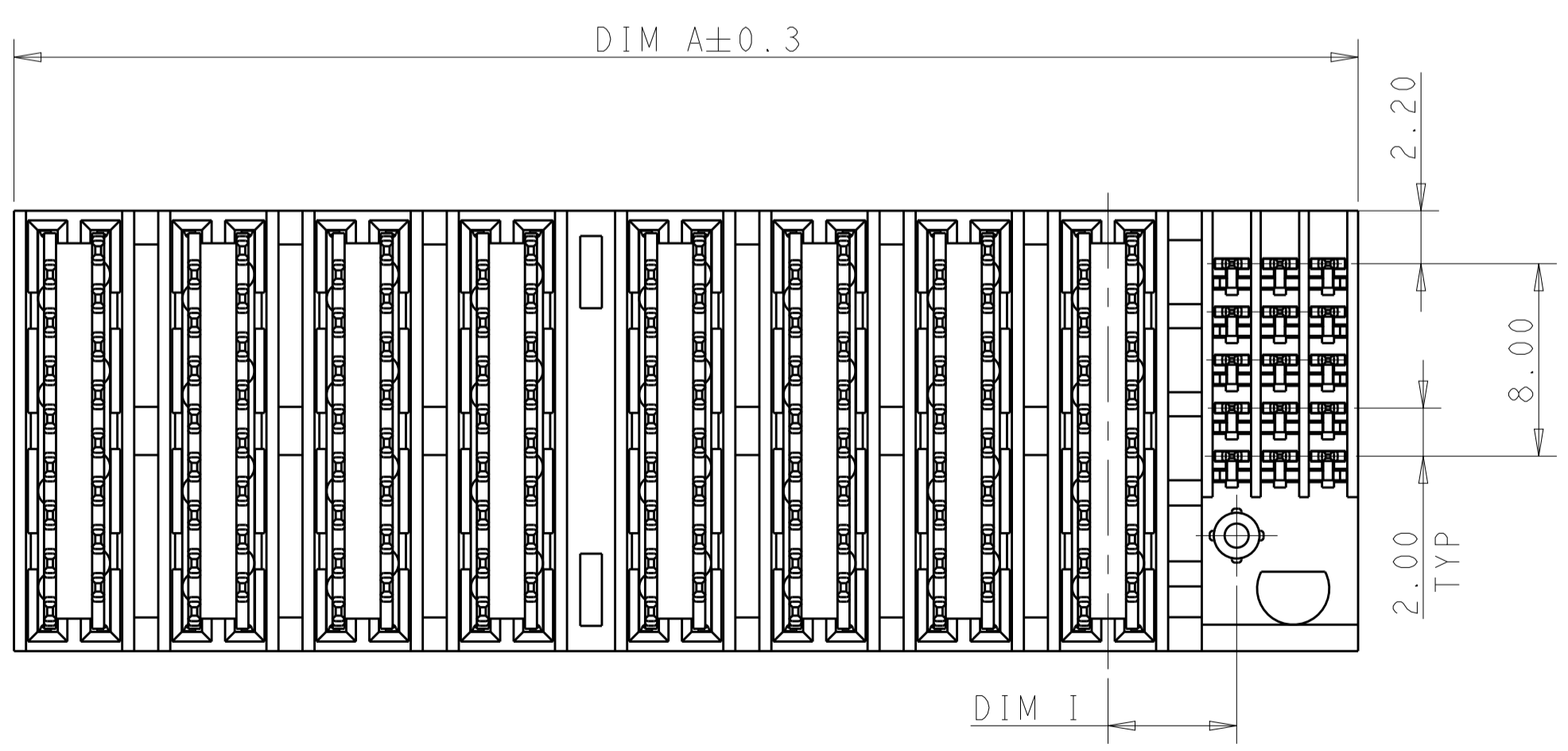
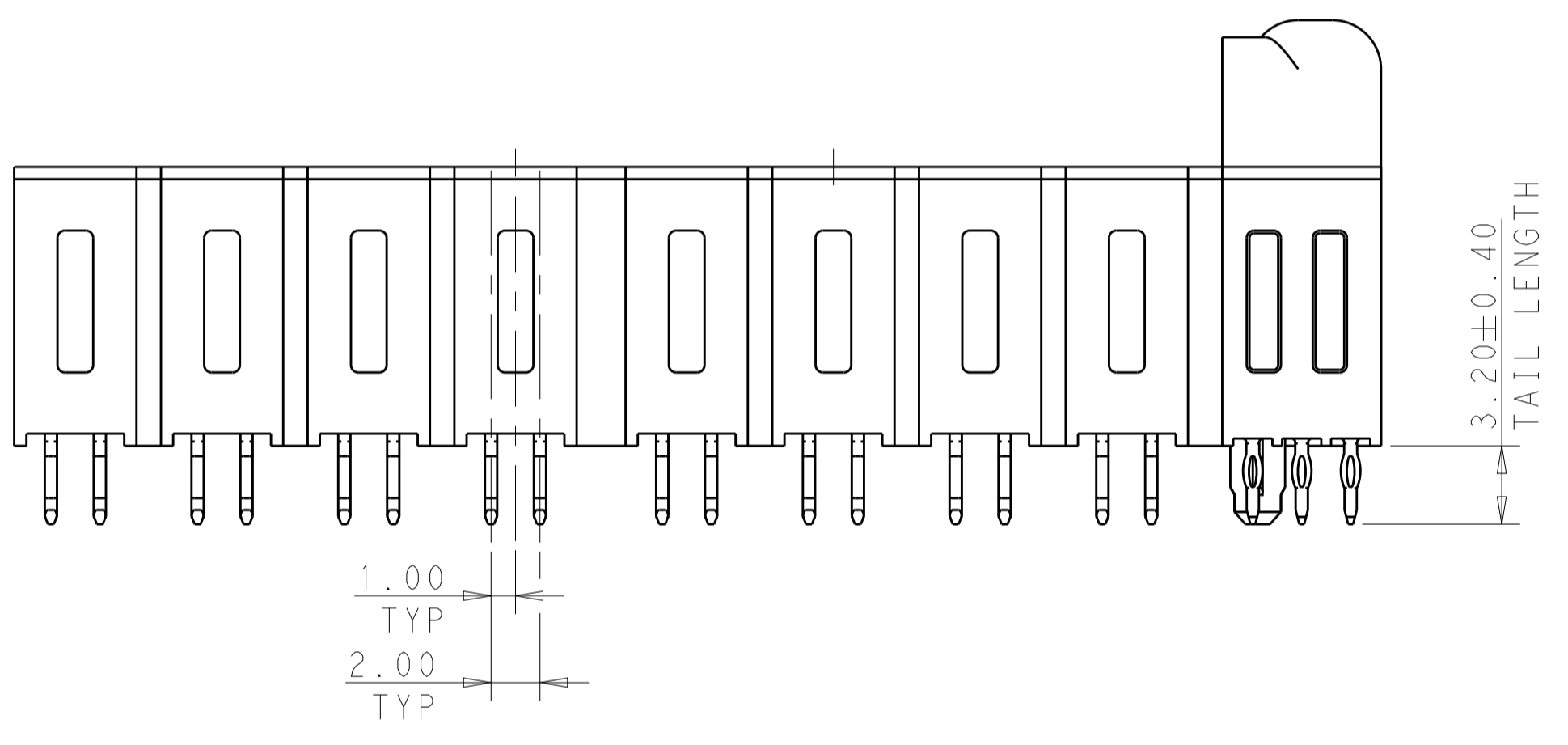
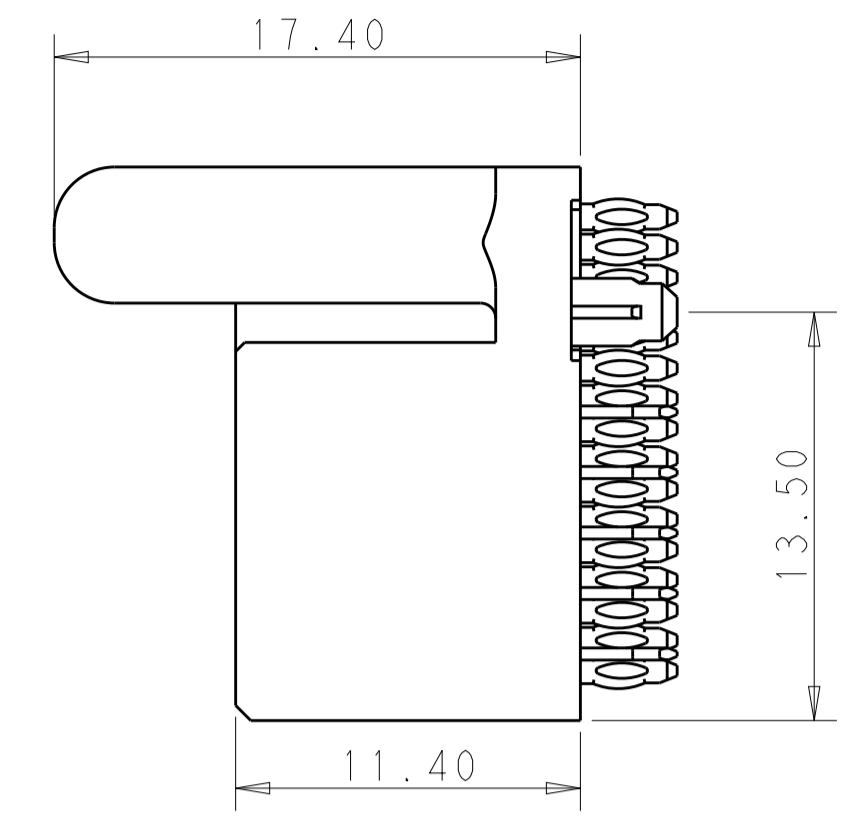
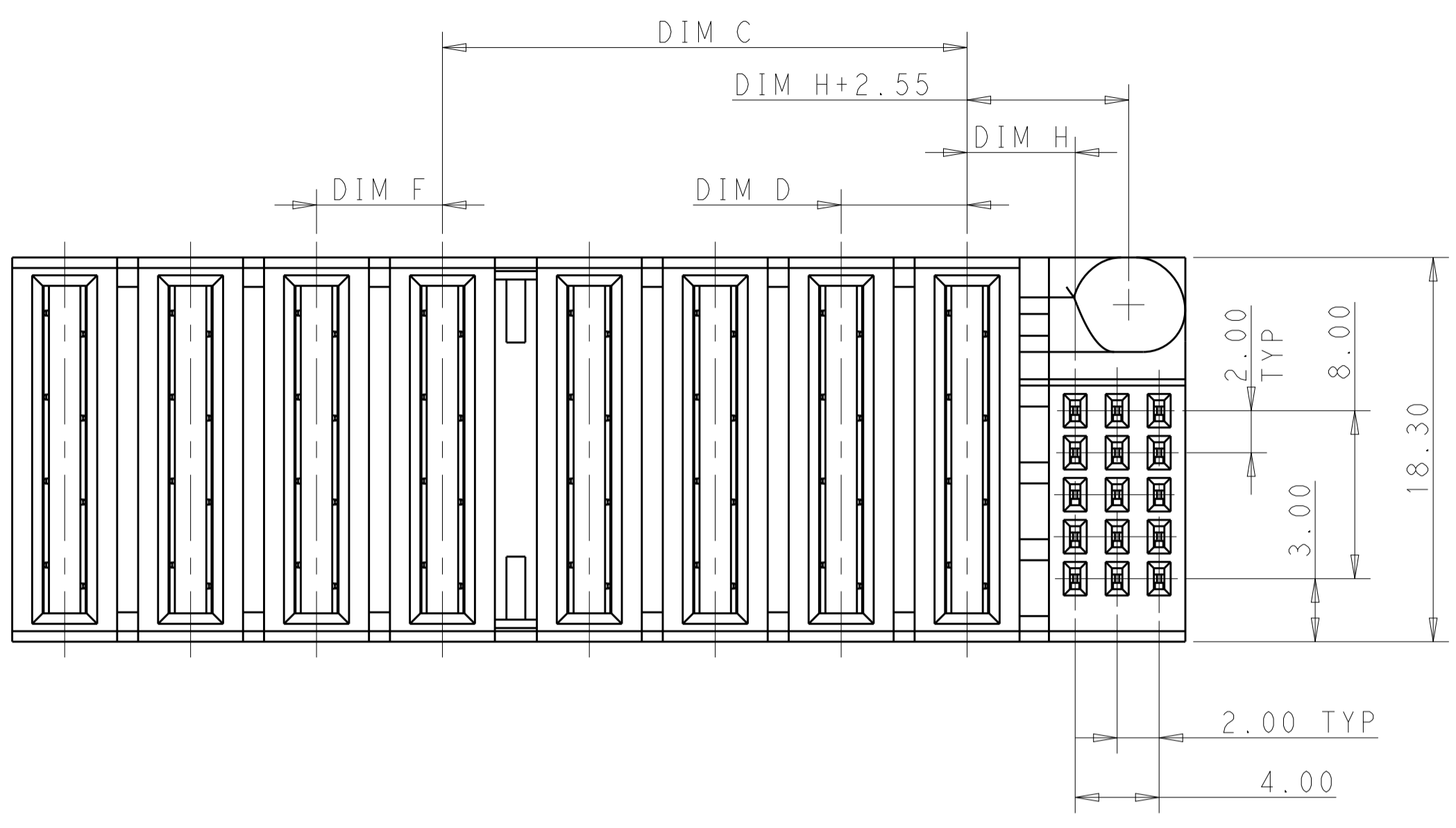


LOC		DIST		REVISIONS			
P	LTN	DESCRIPTION	DATE	DWN	APVD		
A1	ECR-16-004133		18MAR2016	TZ	SZ		
A2	ECR-17-000307		10JAN2017	TZ	SZ		
A3	ECR-17-014048		23OCT2017	TZ	SZ		
A4	ECR-18-000463		12JAN2018	TZ	SZ		



NOTES, UNLESS OTHERWISE SPECIFIED:

1. "TE", PART NUMBER AND DATE CODE TO BE MARKED IN AREA SHOWN.

2. MATERIAL:
 HOUSING - GLASS FILLED HIGH TEMP THERMO PLASTIC,
 COLOR: BLACK, UL94 V- 0.
 SIGNAL CONTACT - HIGH CONDUCTIVITY COPPER ALLOY.
 POWER CONTACT - HIGH CONDUCTIVITY COPPER ALLOY.

3. CONTACT PLATING:
 MATING AREA - NOBLE METAL OVERALL NICKEL
 TAIL SIDE AREA - MATTE TIN OVERALL NICKEL.

4. MECHANICAL CONNECTOR KEEP OUT ZONE.

5. DATUM AND BASIC DIMENSIONS ESTABLISHED BY CUSTOMER.

6. PCB - ALL HOLE DIAMETERS ARE FINISHED HOLE SIZES.

7. PCB HOLE:
 POWER - 1.15 ± 0.025 MM DRILLED HOLES SIZE PLATING WITH 0.0076 MM MIN.
 Sn OVER 0.025-0.076 MM Cu PLATING TO ACHIEVE A 1.02 MM DIA. HOLE.
 SIGNAL - 0.835 ± 0.025 MM DRILLED HOLES SIZE PLATING WITH 0.0076 MM MIN.
 Sn OVER 0.025-0.076 MM Cu PLATING TO ACHIEVE A 0.72 MM DIA. HOLE.

35.90	4.50	15.00	5.00	10.00	5.00	8.15	8.35	2P+2LP+2P+20S	2204426-7
17.90	-	-	5.00	-	-	5.15	5.35	2P+15S	2204426-4
27.90	-	-	5.00	-	-	5.15	5.35	4P+15S	2204426-3
17.90	-	-	5.00	-	-	5.15	5.35	2P+15S	2204426-2
55.90	-	25.00	6.00	-	6.00	5.15	5.35	15S+4VP+4VP	2204426-1
DIM A	DIM B	DIM C	DIM D	DIM E	DIM F	DIM H	DIM I	DESCRIPTION	PART NUMBER

THIS DRAWING IS A CONTROLLED DOCUMENT. DWN: THOMAS ZHAO, Z0DEC2012
 CHK: SUNY ZHAO, Z0DEC2012
 APVD: SUNY ZHAO, Z0DEC2012

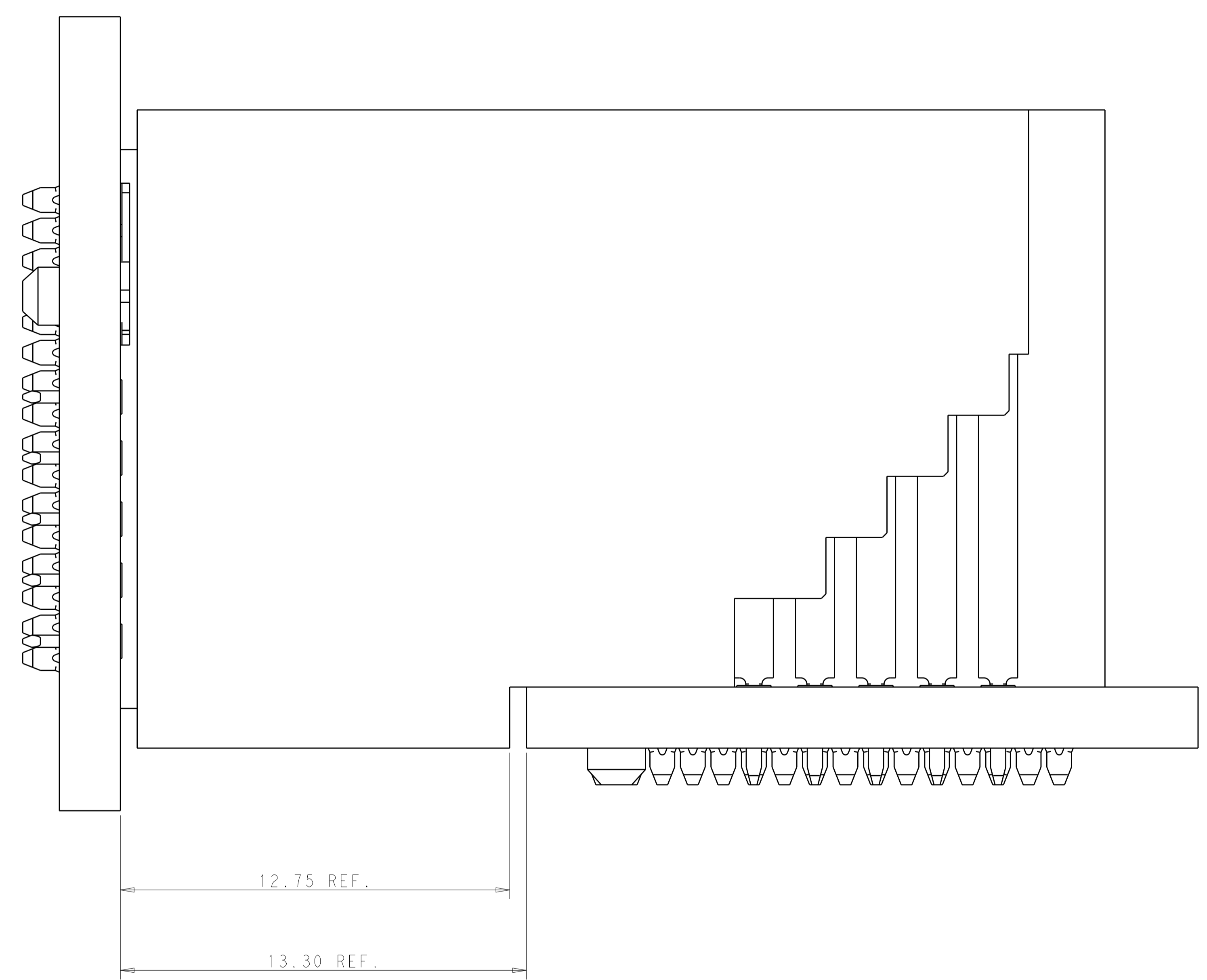
STE TE Connectivity

Customer Drawing
 VERTICAL RECEPTACLE
 MULTI-BEAM HD P+S

SIZE: A1, CAGE CODE: 2204426, DRAWING NO: 2204426

SCALE: 2:1, SHEET 1 OF 4, REV: A4

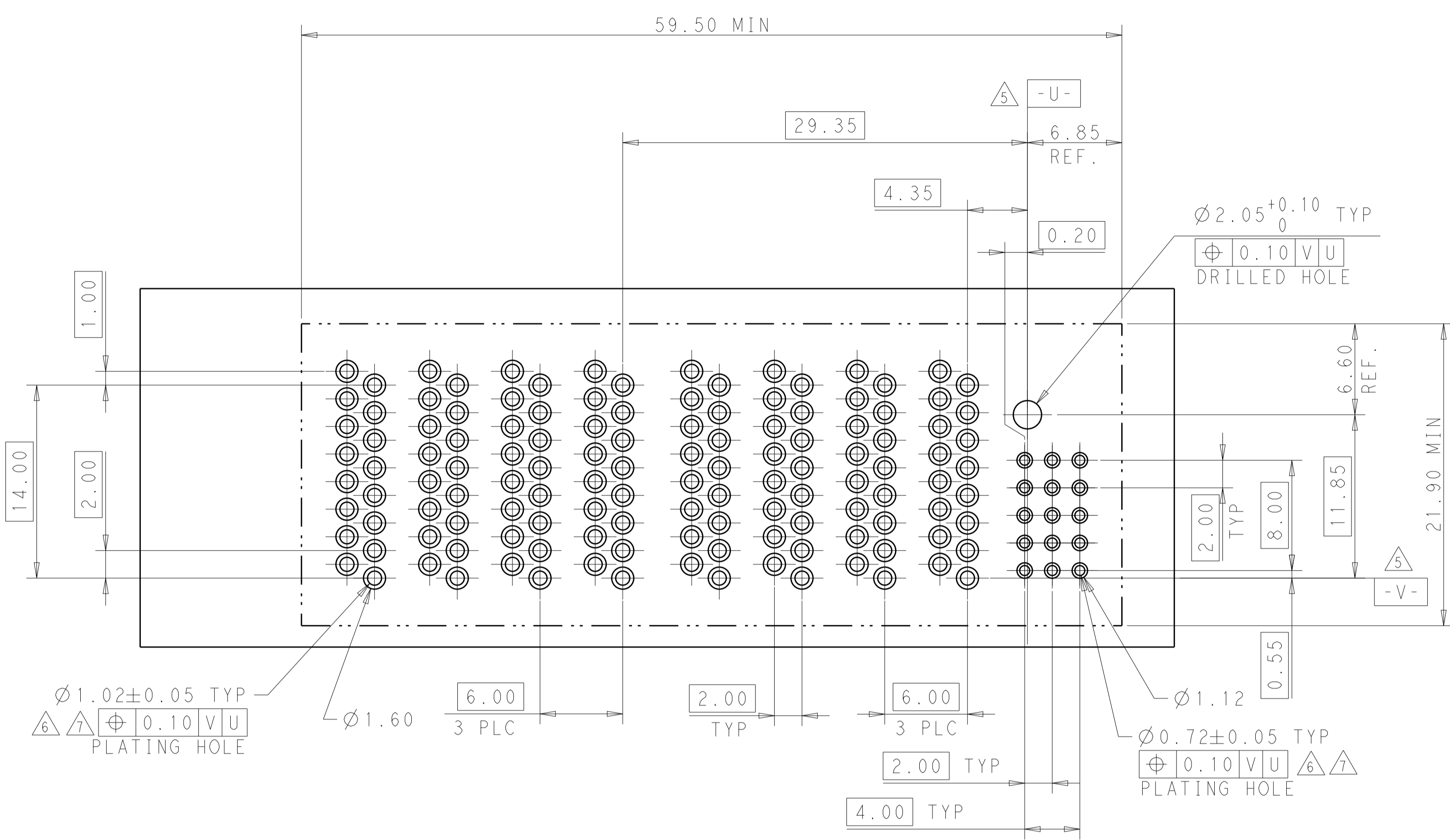
LOC	DIST	REVISIONS					
		P.	LTH	DESCRIPTION	DATE	DMN	APVD
		-		SEE SHEET 1			



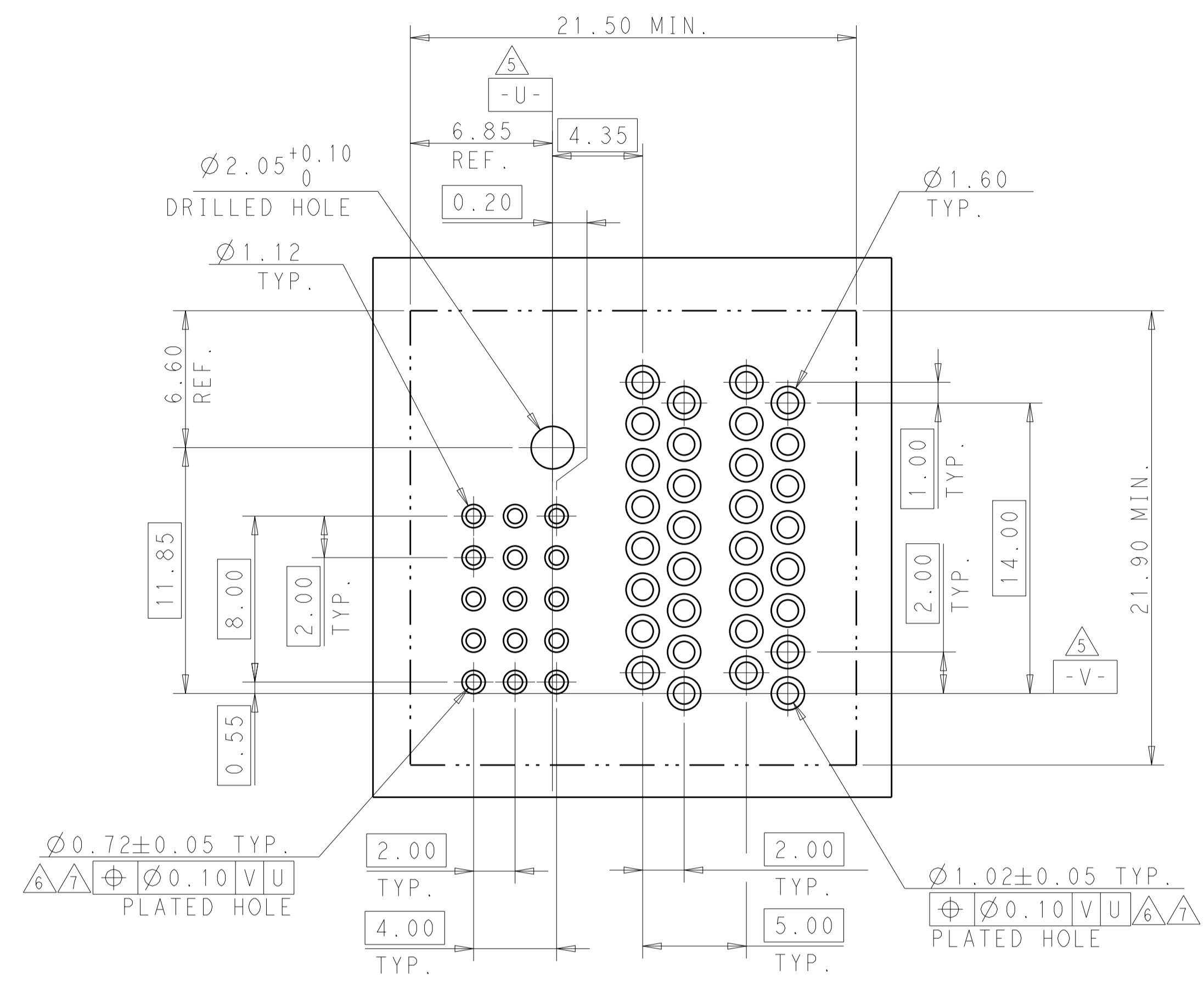
THE DISTANCE IS 0.05 MM MATING FACE FROM R/A HEADER TO VERTICAL RECEPTACLE.

THIS DRAWING IS A CONTROLLED DOCUMENT.		DMN THOMAS_ZHAO Z0DEC2012	TE Connectivity
DIMENSIONS: mm		CHK SUNY_ZHAO Z0DEC2012	
TOLERANCES UNLESS OTHERWISE SPECIFIED: 0 PLC ±.4 1 PLC ±0.4 2 PLC ±0.75 3 PLC ±1.5 4 PLC ±.4 ANGLES ±.1		APVD SUNY_ZHAO Z0DEC2012	NAME Customer Drawing
		PRODUCT SPEC	VERTICAL RECEPTACLE
MATERIAL		APPLICATION SPEC	MULTI-BEAM HD P+S
FINISH		WEIGHT	SIZE CAGE CODE DRAWING NO RESTRICTED TO
CUSTOMER DRAWING		SCALE 2:1	A100779C=2204426
		SHEET 2 OF 4	REV A4

LOC	DIST	REVISIONS			
P	LTN	DESCRIPTION	DATE	DMN	APVD
-	-	SEE SHEET 1	-	-	-



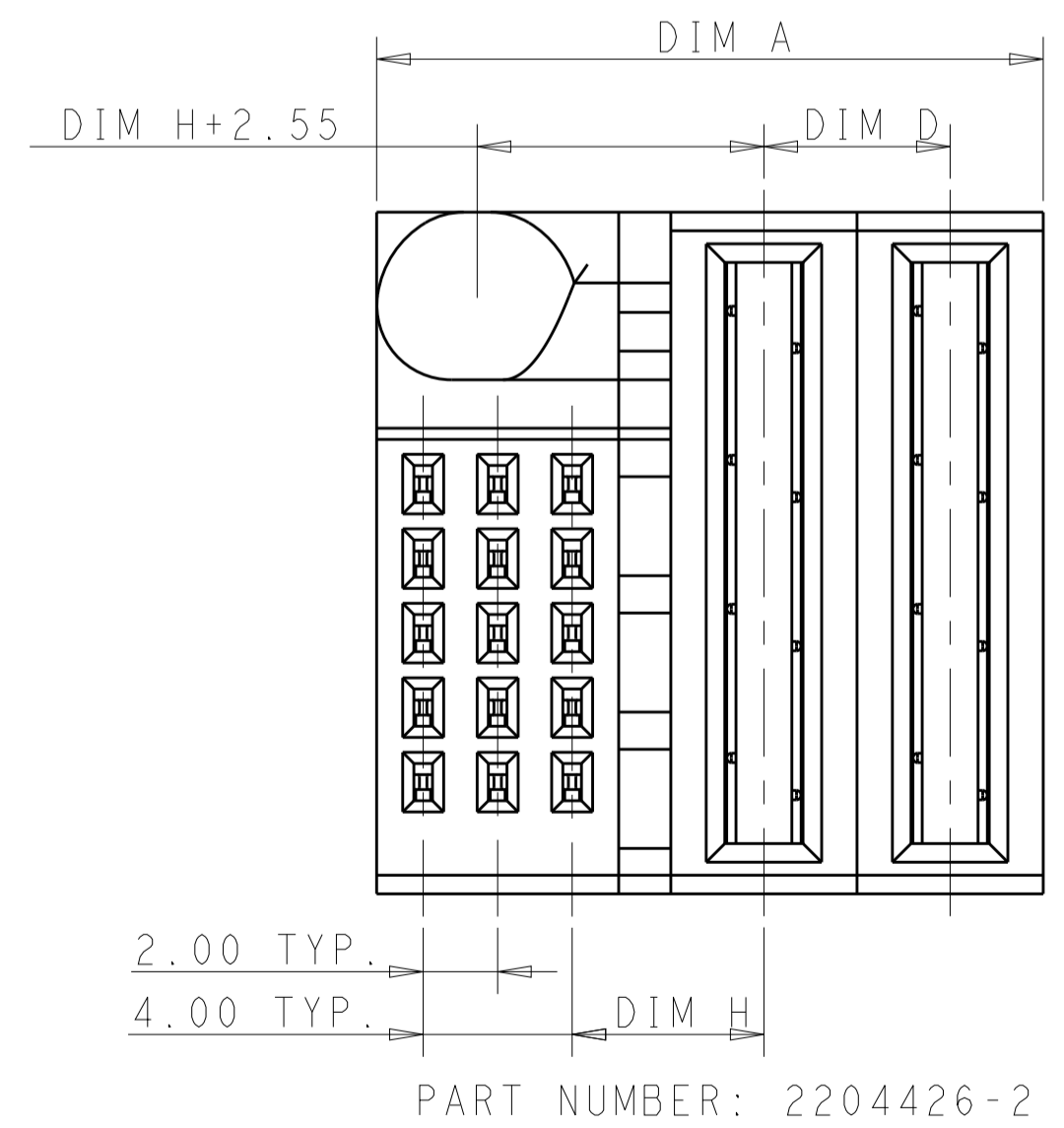
THE CUTOUT OF PART NUMBER: 2204426-1



THE CUTOUT OF PART NUMBER: 2204426-2/4

PART NUMBER	ROWS	POWER								SIGNAL		
		P8	P7	P6	P5	P4	P3	P2	P1	3	2	1
2204426-1	E	PM	PM	PM	PM	PM	PM	PM	PM	SM		
	D	PM	PM	PM	PM	PM	PM	PM	PM	SM		
	C	PM	PM	PM	PM	PM	PM	PM	PM	SM		
	B	PM	PM	PM	PM	PM	PM	PM	PM	SM		
	A	PM	PM	PM	PM	PM	PM	PM	PM	SM		

PART NUMBER	ROWS	SIGNAL		POWER		
		3	2	1	P2	P1
2204426-2	E	SM	SM	SM	PM	PM
	D	SM	SM	SM	PM	PM
	C	SM	SM	SM	PM	PM
	B	SM	SM	SM	PM	PM
	A	SM	SM	SM	PM	PM



DESCRIPTION	IDENTIFIER
SIGNAL CONTACT	SM1
BOTTOM LOW POWER CONTACT STANDARD	LN2
BOTTOM LOW POWER CONTACT MFBL	LM2
TOP LOW POWER CONTACT STANDARD	LN1
TOP LOW POWER CONTACT MFBL	LM1
POWER CONTACT STANDARD	PN
POWER CONTACT MFBL	PM

THIS DRAWING IS A CONTROLLED DOCUMENT.

DMN THOMAS ZHAO Z0DEC2012
CHK SUNY ZHAO Z0DEC2012
APVD SUNY ZHAO Z0DEC2012

TOLERANCES UNLESS OTHERWISE SPECIFIED:

DIMENSIONS:	mm	0 PLC	±
		1 PLC	±0.4
		2 PLC	±0.75
		3 PLC	±1.5
		4 PLC	±
		ANGLES	±
MATERIAL		FINISH	±

NAME: Customer Drawing
PRODUCT SPEC: VERTICAL RECEPTACLE
APPLICATION SPEC: MULTI-BEAM HD P+S

SIZE: A1
CAGE CODE: 2204426
DRAWING NO: 2204426

RESTRICTED TO: A4

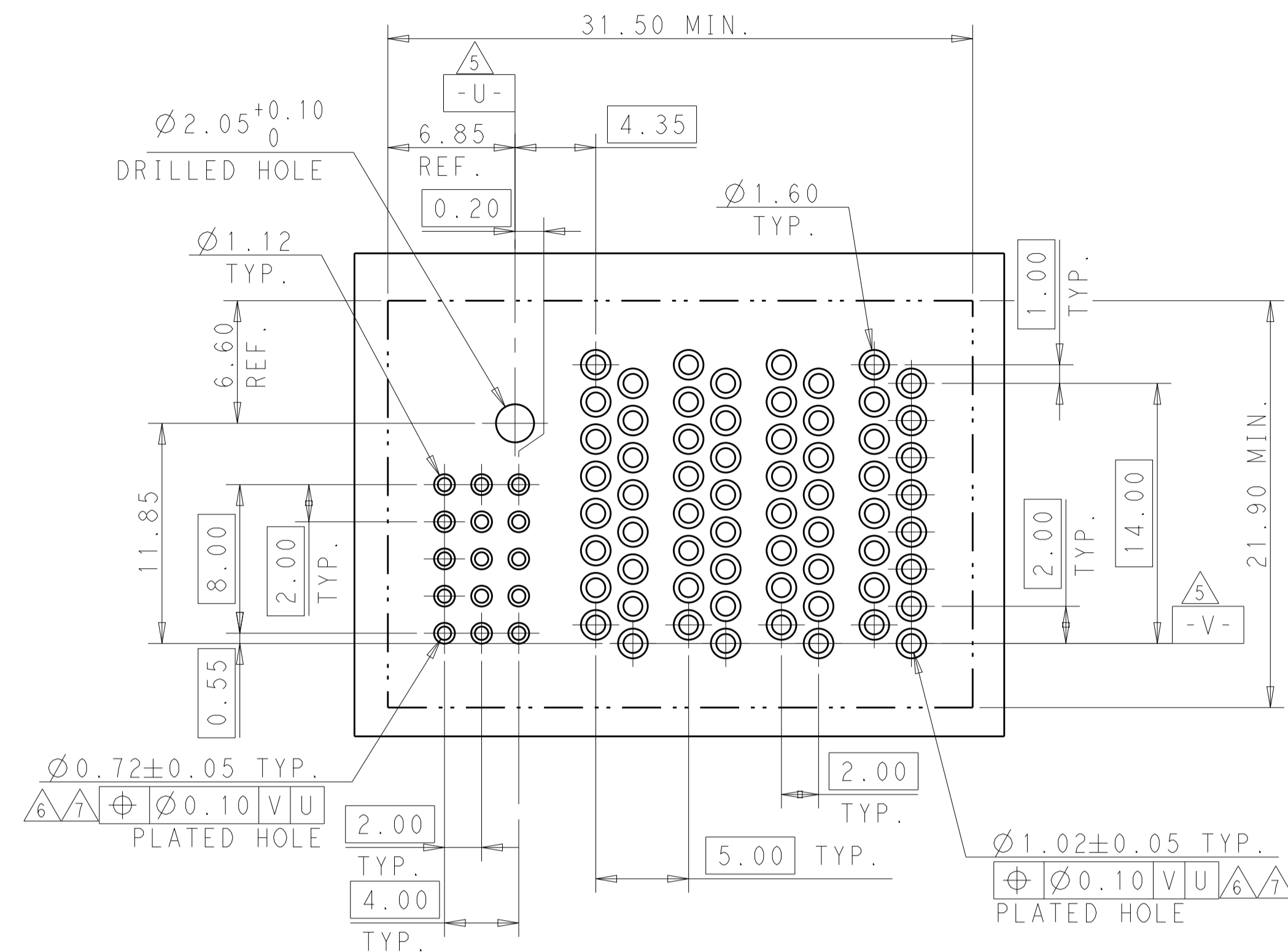
CUSTOMER DRAWING

SCALE: 2:1

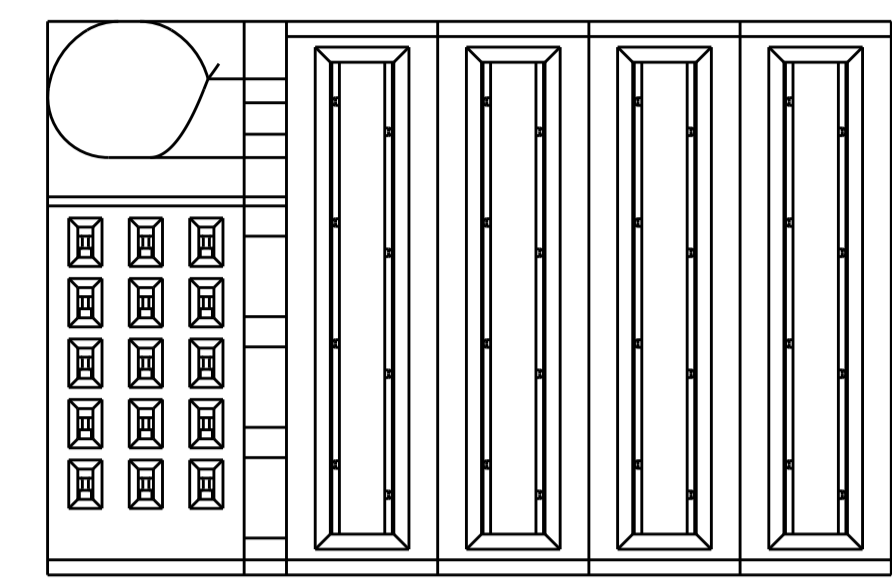
SHEET: 3 OF 4

REV: A4

LOC	DIST	REVISIONS			
P	LTN	DESCRIPTION	DATE	DMN	APVD
-	-	SEE SHEET 1	-	-	-



PART NUMBER	ROWS	SIGNAL			POWER			
		3	2	1	P4	P3	P2	P1
2204426-3	E	SM	SM	SM	PM	PM	PM	PM
	D	SM	SM	SM				
	C	SM	SM	SM				
	B	SM	SM	SM				
	A	SM	SM	SM				

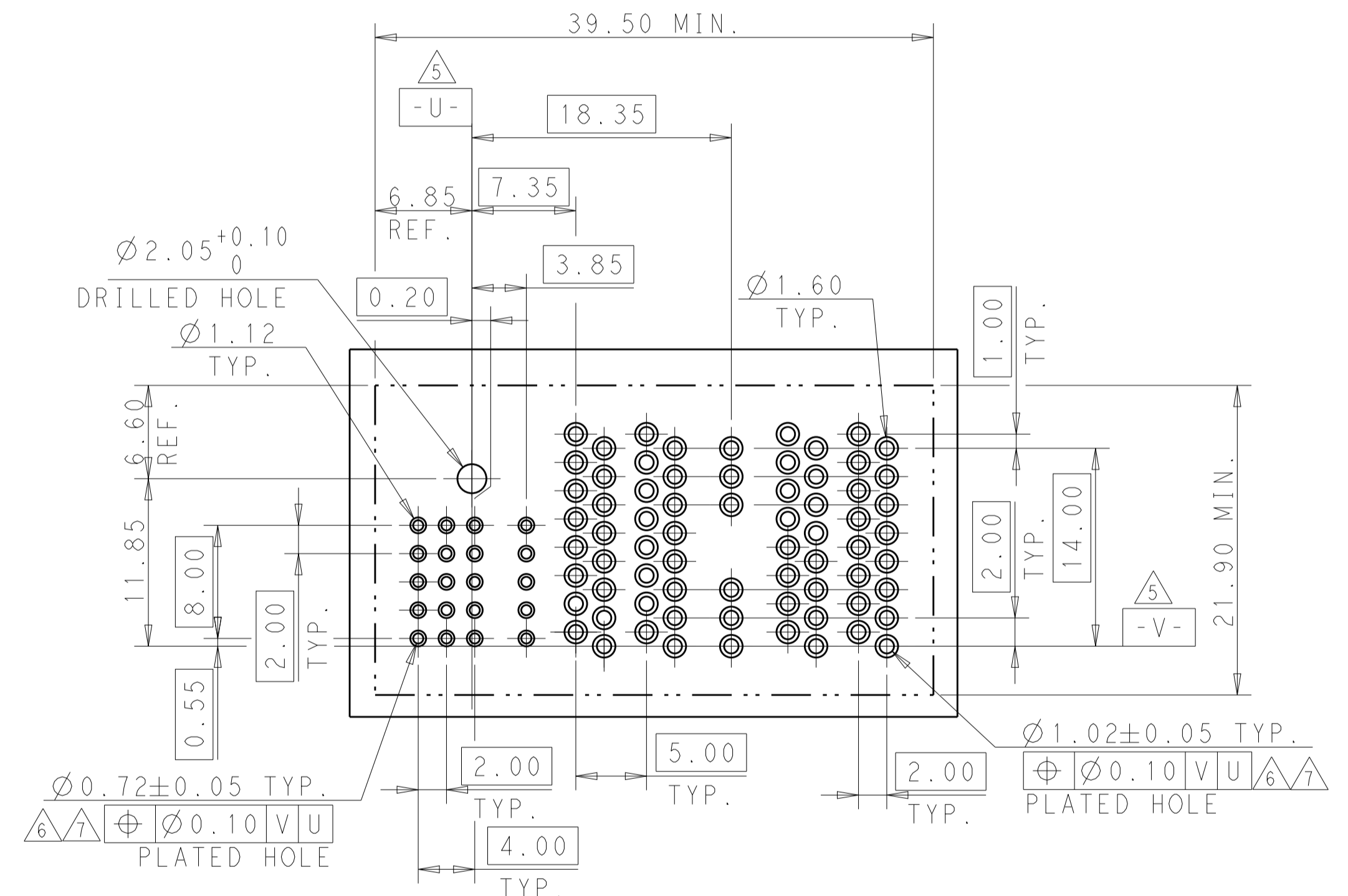


PART NUMBER: 2204426-3

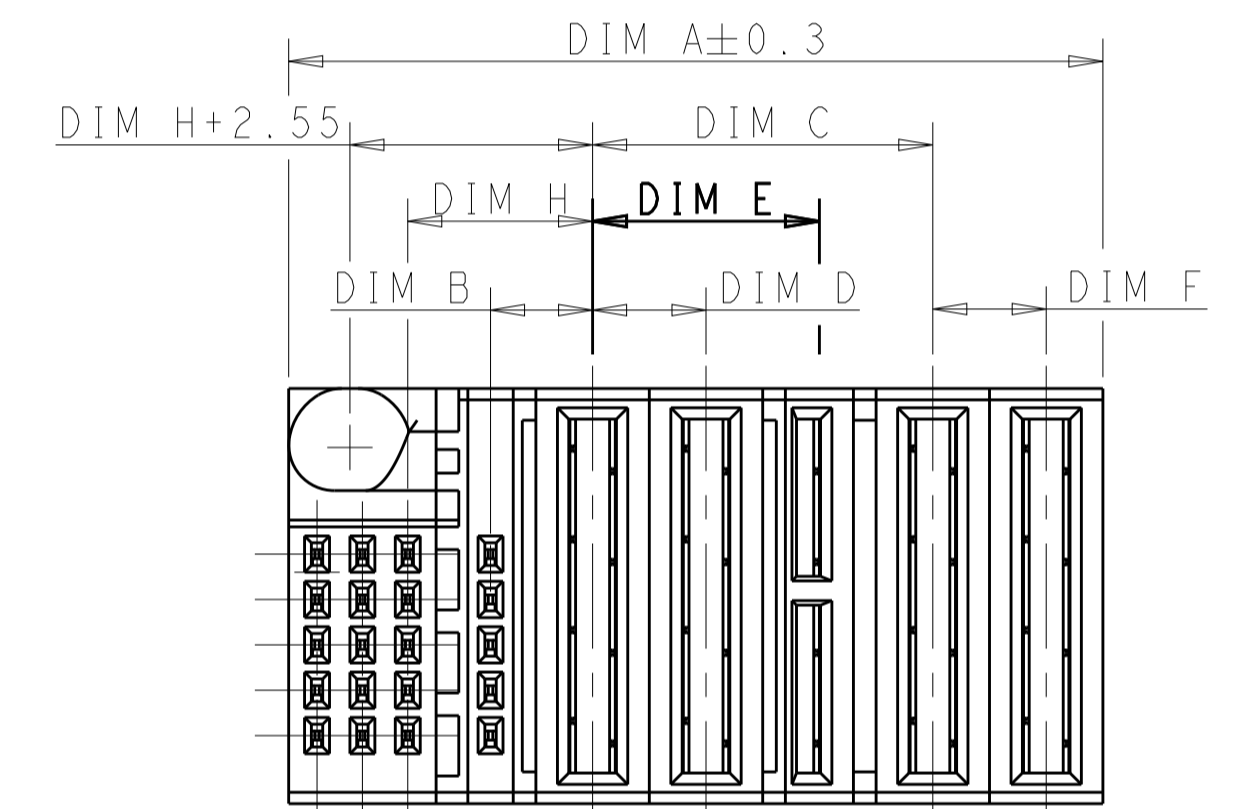
PART NUMBER	ROWS	SIGNAL			POWER	
		3	2	1	P2	P1
2204426-4	E	SM	SM	SM	PM	PN
	D	SM	SM	SM		
	C	SM	SM	SM		
	B	SM	SM	SM		
	A	SM	SM	SM		

PART NUMBER	ROWS	SIGNAL				POWER					
		4	3	2	1	P4	P3	LP	P2	P1	
2204426-7	E	SM	SM	SM	SM	PN	PN			PM	PM
	D	SM	SM	SM	SM					LM	LM
	C	SM	SM	SM	SM					M	M
	B	SM	SM	SM	SM						
	A	SM	SM	SM	SM						

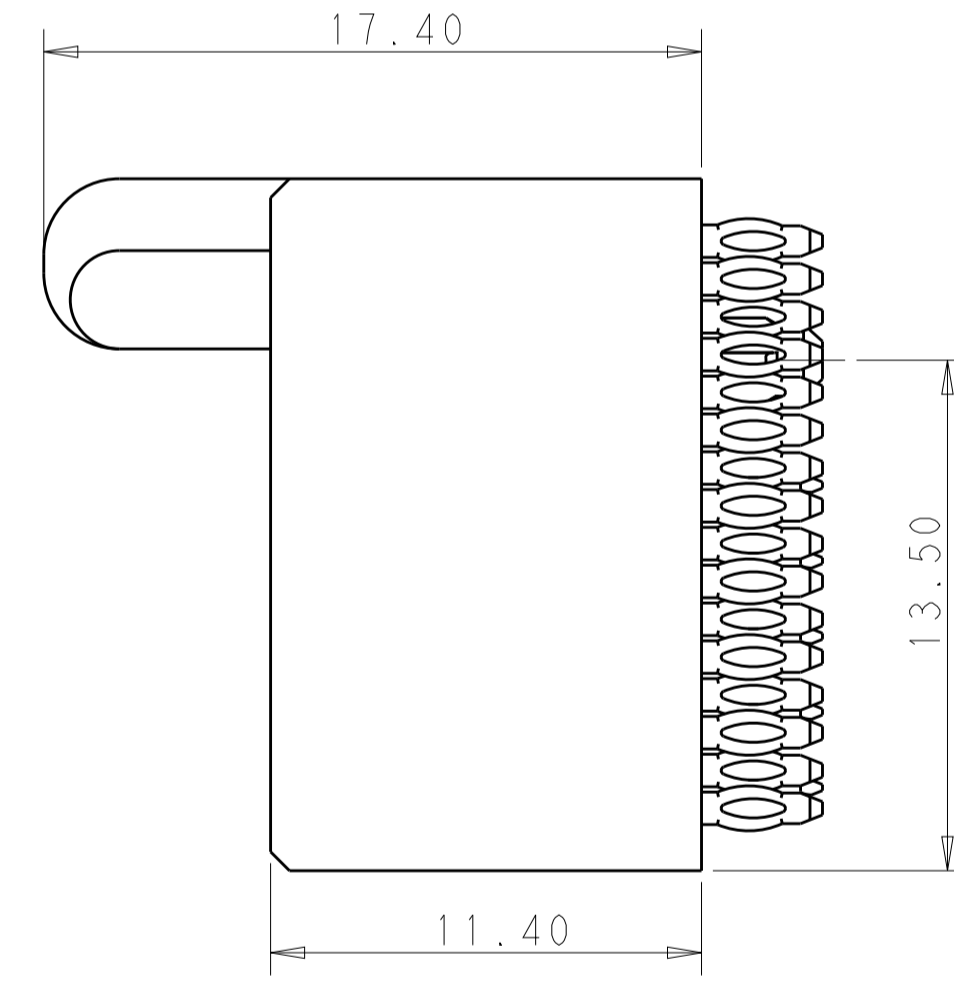
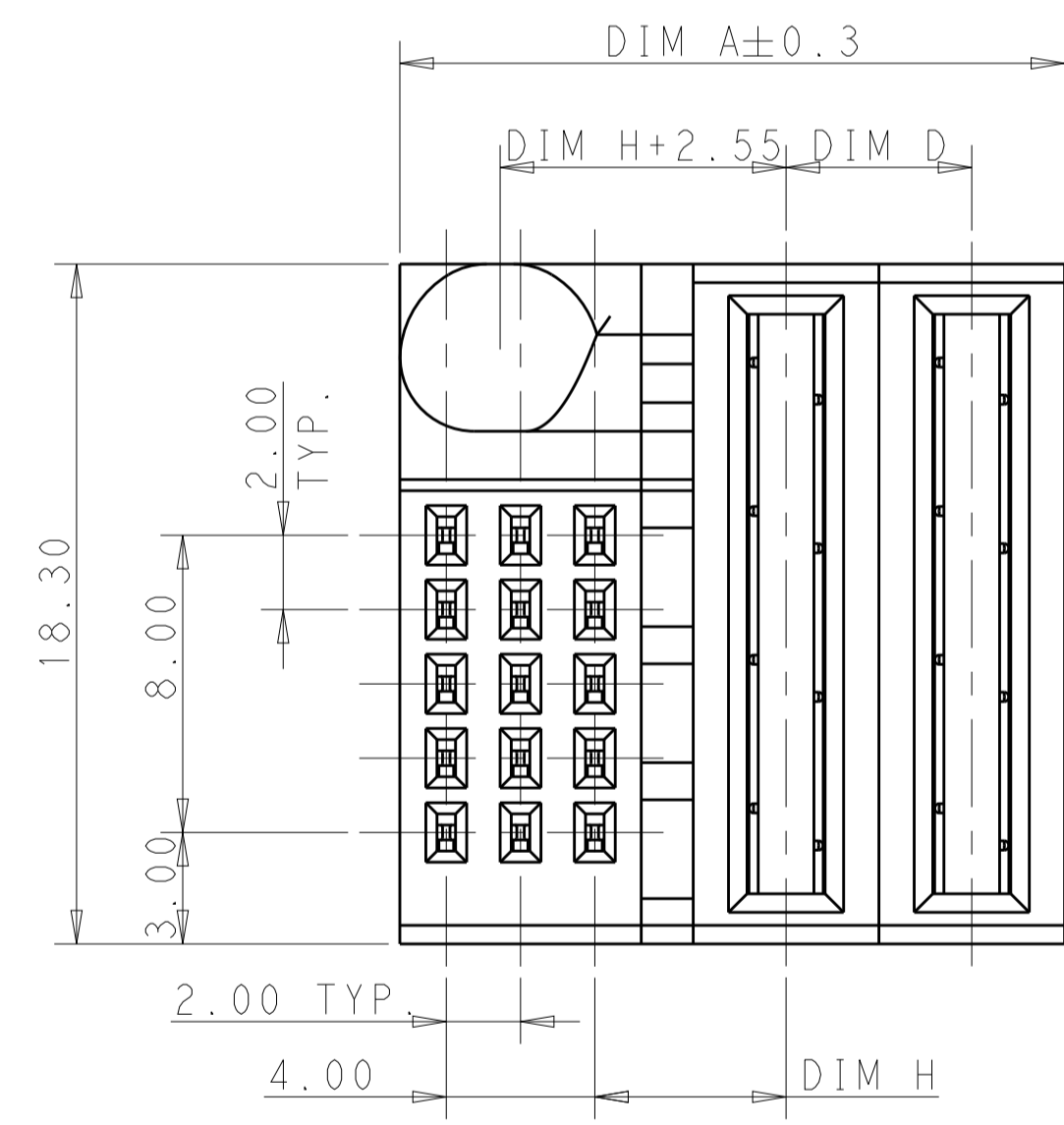
THE PCB LAYOUT OF P/N:2204426-3



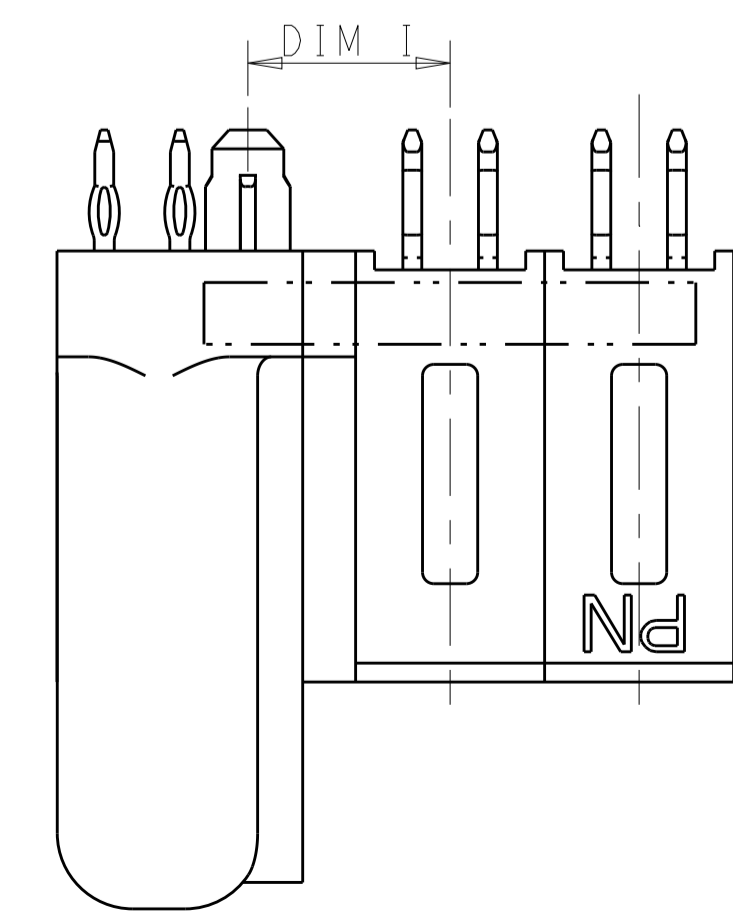
THE PCB LAYOUT OF P/N:2204426-7



PART NUMBER: 2204426-7



PART NUMBER: 2204426-4



THIS DRAWING IS A CONTROLLED DOCUMENT. DWG: THOMAS_ZHAO_20DEC2012, CHK: SUNY_ZHAO_20DEC2012, APVD: SUNY_ZHAO_20DEC2012

STE TE Connectivity

NAME: Customer Drawing VERTICAL RECEPTACLE MULTI-BEAM HD P+S

SIZE: A1, CAGE CODE: 100779, DRAWING NO: 2204426

SCALE: 2:1, SHEET: 4 OF 4, REV: A4

X-ON Electronics

Largest Supplier of Electrical and Electronic Components

Click to view similar products for [Power to the Board](#) category:

Click to view products by [TE Connectivity](#) manufacturer:

Other Similar products are found below :

[6450171-4](#) [6450552-7](#) [6600323-8](#) [6643429-1](#) [6646040-2](#) [6651939-1](#) [6766604-1](#) [120959-1](#) [1393557-2](#) [1393532-2](#) [1393532-3](#) [1393532-4](#)
[1393557-1](#) [1600812-5](#) [1-6450861-2](#) [1744132-7](#) [1761122-1](#) [1766250-1](#) [1892109-1](#) [2-6450860-5](#) [2-6450870-0](#) [1-6450161-4](#) [1-6450850-6](#) [1-6450869-6](#) [1645526-2](#) [1-6600130-0](#) [2005243-2](#) [377-0020-11130](#) [TE34-12-16P-F0](#) [5-6450830-6](#) [5646956-4](#) [377-0080-11131A](#) [4-6450830-9](#)
[4-6600333-3](#) [10125416-4050LF](#) [6600320-3](#) [3-6450860-5](#) [1888123-2](#) [6450166-1](#) [6643978-1](#) [6766605-1](#) [701-15-02109](#) [N11444](#) [6651938-1](#)
[6450810-7](#) [46437-1112](#) [1-1589677-8](#) [5646956-5](#) [6450813-2](#) [6450129-4](#)