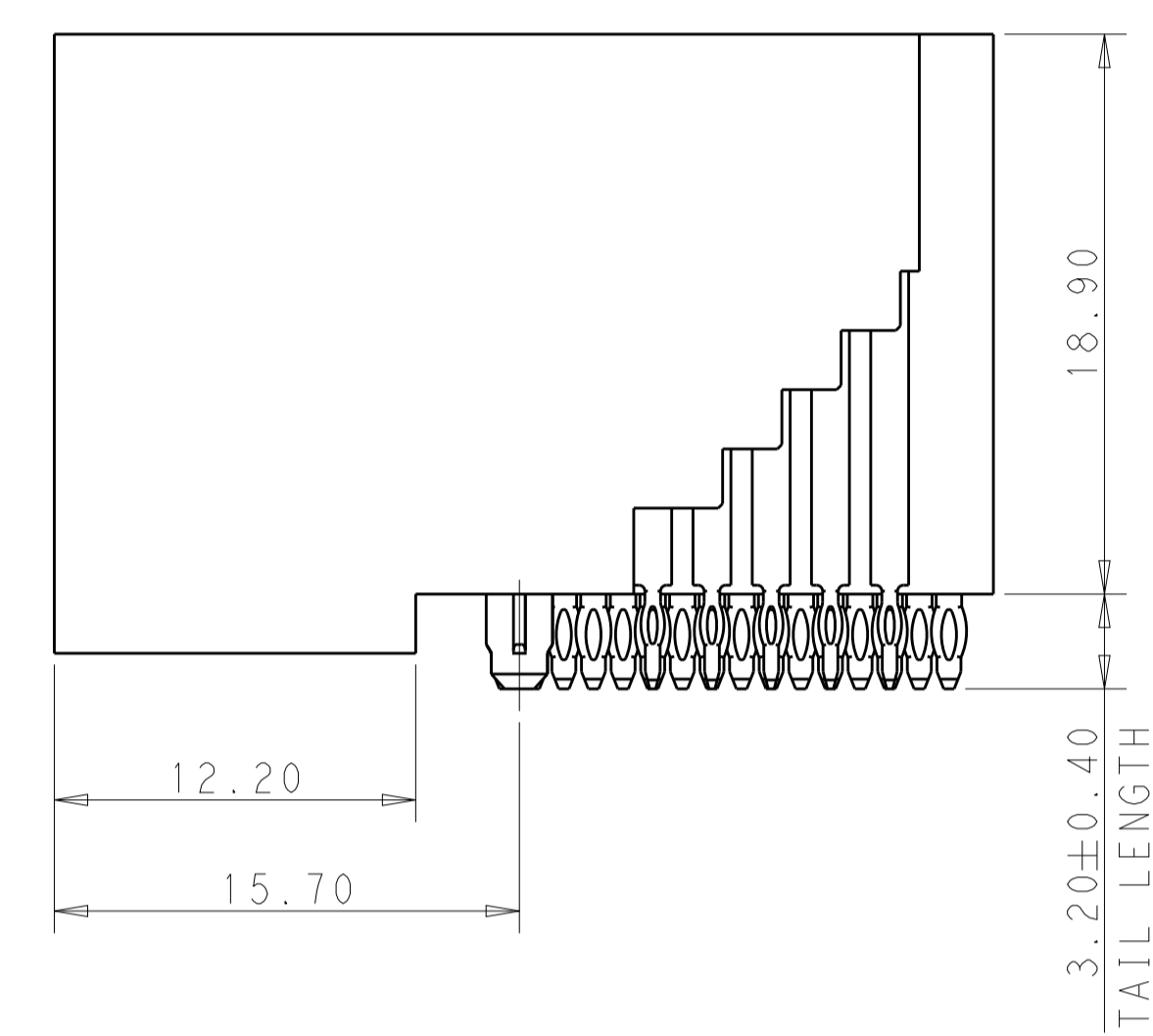
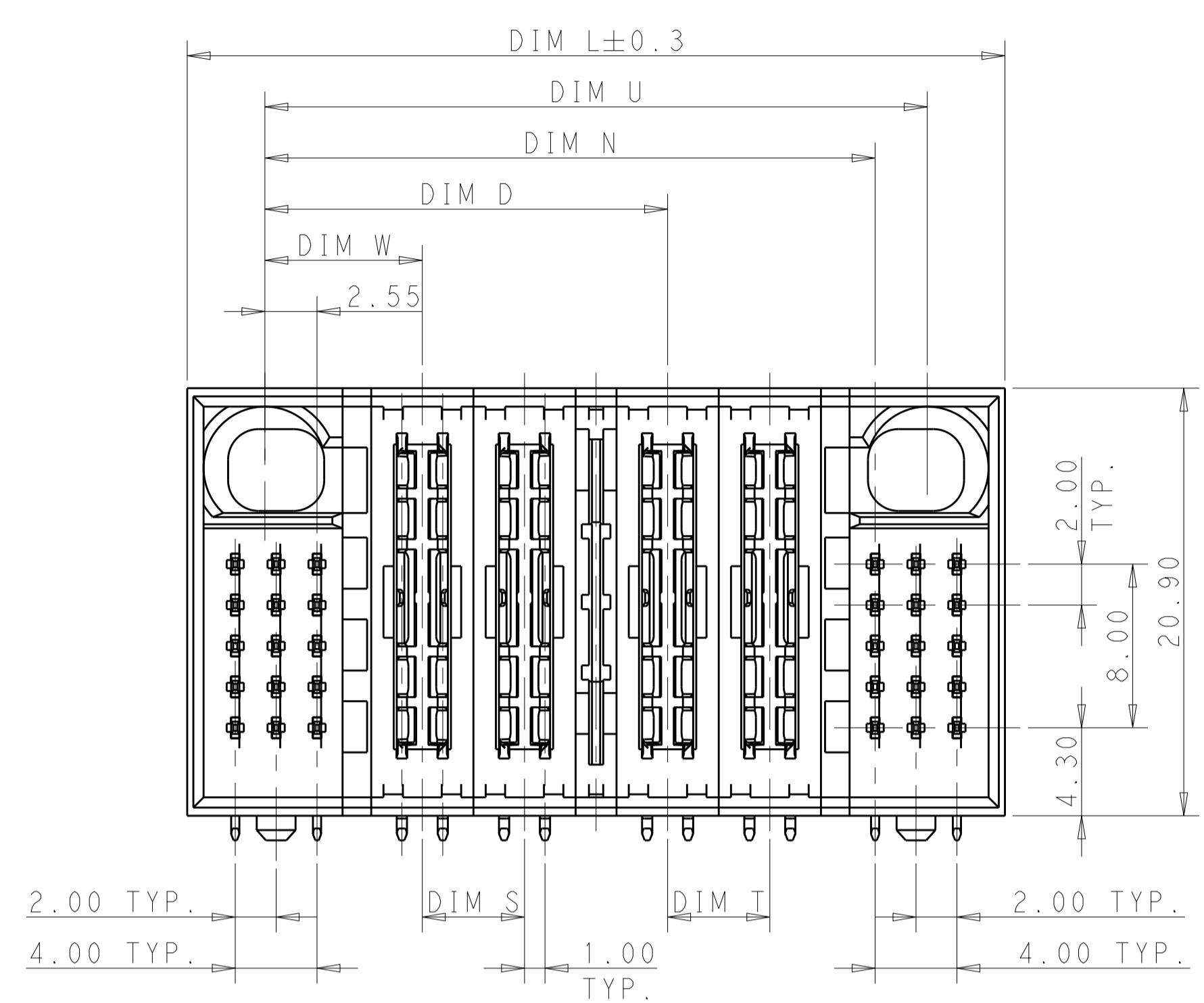
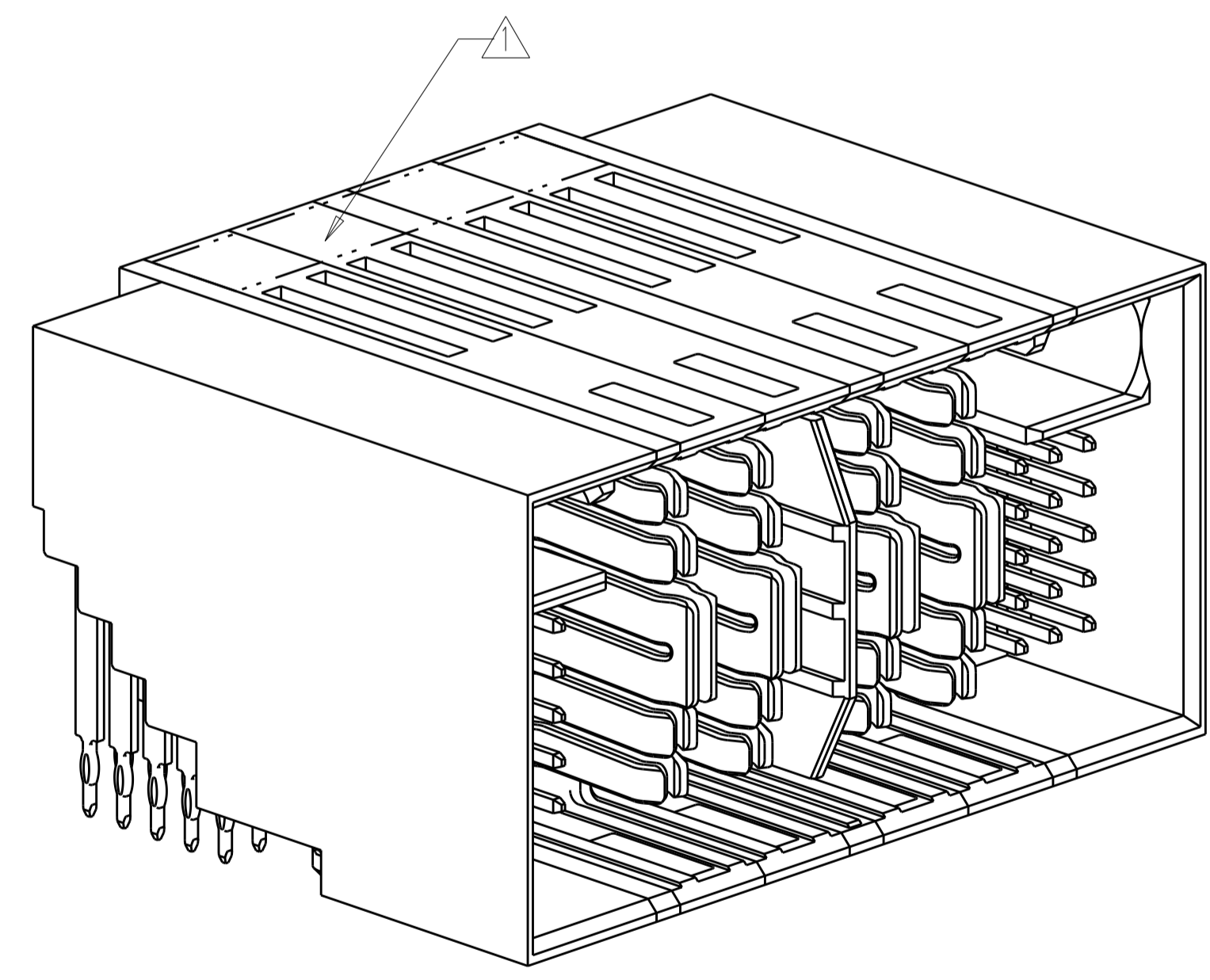
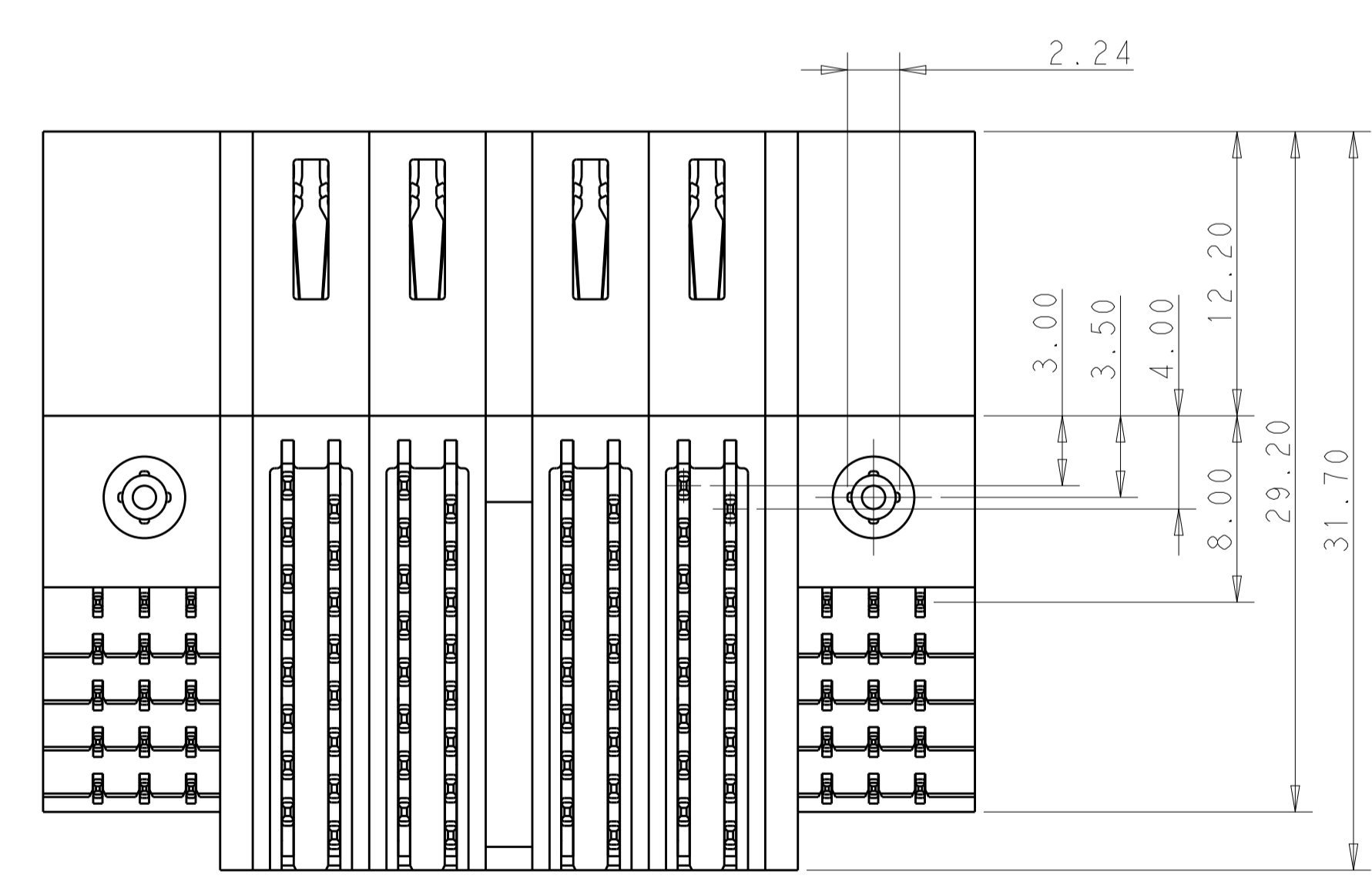


LOC	DIST	REVISIONS					
		P	LTN	DESCRIPTION	DATE	DWN	APVD
		A1		ECR-16-002696	24DEC2015	TZ	SZ
		A2		ECR-16-017528	19DEC2016	TZ	SZ



NOTES, UNLESS OTHERWISE SPECIFIED:

- △ "TE", PART NUMBER AND DATE CODE TO BE MARKED IN AREA SHOWN.
- △ MATERIAL:
 - HOUSING - GLASS FILLED HIGH TEMP THERMO PLASTIC, COLOR: BLACK, UL94 V- 0.
 - SIGNAL CONTACT - HIGH CONDUCTIVITY COPPER ALLOY.
 - POWER CONTACT - HIGH CONDUCTIVITY COPPER ALLOY.
- △ CONTACT PLATING:
 - MATING AREA - NOBLE METAL OVERALL NICKEL
 - TAIL SIDE AREA - MATTE TIN OVERALL NICKEL.
- 4. MECHANICAL CONNECTOR KEEP OUT ZONE.
- △ DATUM AND BASIC DIMENSIONS ESTABLISHED BY CUSTOMER.
- △ PCB - ALL HOLE DIAMETERS ARE FINISHED HOLE SIZES.
- △ PCB HOLE:
 - POWER - 1.15±0.025 MM DRILLED HOLES SIZE PLATING WITH 0.0076 MM MIN. Sn OVER 0.025-0.076 MM Cu PLATING TO ACHIEVE A 1.02 MM DIA. HOLE.
 - SIGNAL - 0.835±0.025 MM DRILLED HOLES SIZE PLATING WITH 0.0076 MM MIN. Sn OVER 0.025-0.076 MM Cu PLATING TO ACHIEVE A 0.72 MM DIA. HOLE.



50.00	42.40	39.85	24.70	7.70	5.00	5.00	15S+3P+3P+15S	1-2204440-1
30.0	22.40	19.85	14.70	7.70	-	-	0S+1P+1P+0S	1-2204440-0
58.00	50.40	47.85	28.70	7.70	7.00	7.00	15S+3HVP+3HVP+15S	2204440-9
50.00	42.40	39.85	24.70	7.70	5.00	5.00	15S+3P+3P+15S	2204440-8
33.00	25.40	22.85	-	7.70	5.00	-	15S+3P+12S	2204440-7
30.0	22.40	19.85	14.70	7.70	-	-	15S+1P+1P+15S	2204440-5/6
100.0	92.40	89.85	49.70	7.70	5.00	5.00	15S+8P+8P+15S	2204440-3
80.00	78.40	75.85	49.70	7.70	5.00	7.00	15S+8P+4HVP+15S	2204440-2
40.00	32.40	29.85	19.70	7.70	5.00	5.00	15S+2P+2P+15S	2204440-1
DIM L	DIM U	DIM N	DIM D	DIM W	DIM S	DIM T	DESCRIPTION	PART NUMBER

THIS DRAWING IS A CONTROLLED DOCUMENT. DWN: THOMAS ZHAO 31OCT2012
CHK: SUNY ZHAO 31OCT2012

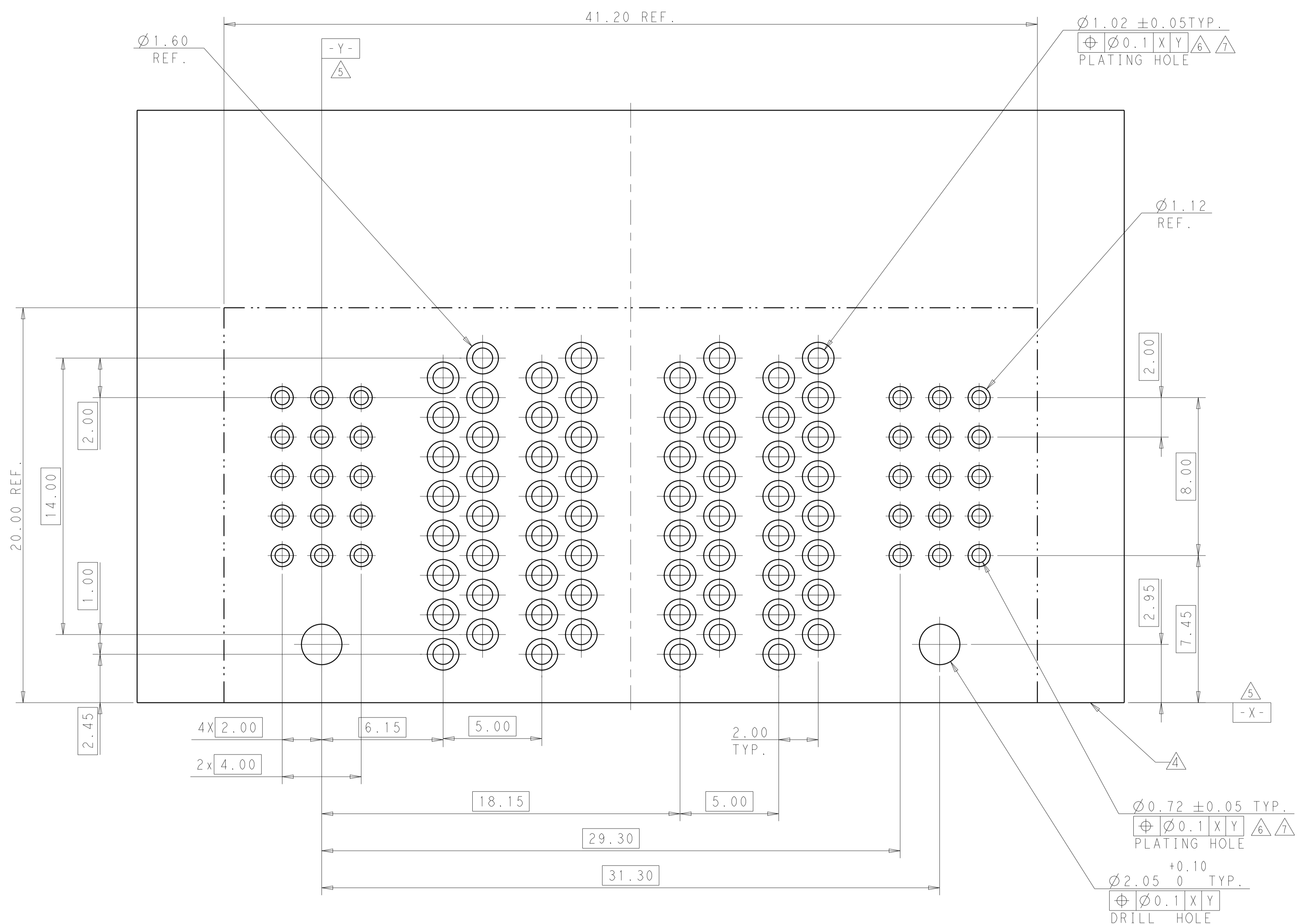
STE TE Connectivity

Customer Drawing
MULTI-BEAM HD CONNECTOR
R/A PLUG S+P+S

SIZE: A1 CAGE CODE: 2204440 DRAWING NO: 100779

SCALE: 4:1 SHEET 1 OF 7 REV: A2

LOC		DIST		REVISIONS			
P	LTN	DESCRIPTION	DATE	DWN	APVD		
-	-	SEE SHEET 1	-	-	-	-	-



PART NUMBER	ROWS	SIGNAL			POWER				SIGNAL				
		1	2	3	P1	P2	P3	P4	4	5	6		
2204440-1	E	[Symbol]			PH	PH	PH	PH	[Symbol]				
	D	SH	SH	SH					SH	SH	SH	SH	SH
	C	SH	SH	SH					SH	SH	SH	SH	SH
	B	SH	SH	SH					SH	SH	SH	SH	SH
	A	SH	SH	SH					SH	SH	SH	SH	SH

15S+2HP+2HP+15S

POWER CONTACT PRESS-FIT	PH
SIGNAL CONTACT PRESS-FIT STANDARD	SH1
SIGNAL CONTACT PRESS-FIT MLBF	SH2
SIGNAL/HP/SIGNAL WITH GUIDE	HOUSING
DESCRIPTION	CODE

THIS DRAWING IS A CONTROLLED DOCUMENT.

DWN: THOMAS ZHAO 31OCT2012
 CHK: SUNY ZHAO 31OCT2012
 APVD: SUNY ZHAO 31OCT2012

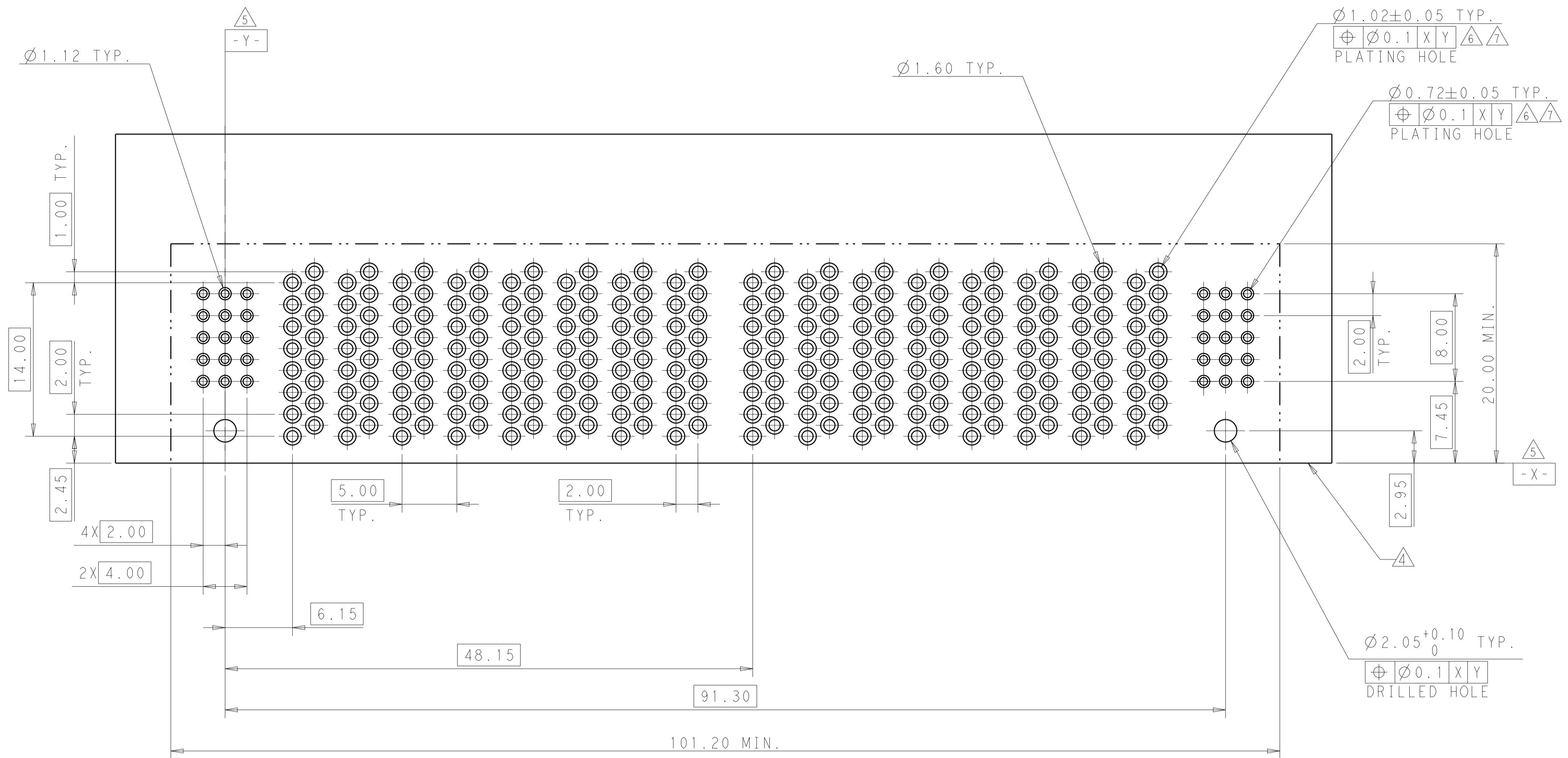
NAME: Customer Drawing
 MULTI-BEAM HD CONNECTOR
 R/A PLUG S+P+S

SIZE: A1 00779
 CAGE CODE: 2204440
 DRAWING NO: 2204440

SCALE: 4:1 SHEET 2 OF 7 REV A2

STE TE Connectivity

LOC	DIST	REVISIONS			
P	LTR	DESCRIPTION	DATE	DMN	APVD
-	-	SEE SHEET 1	-	-	-

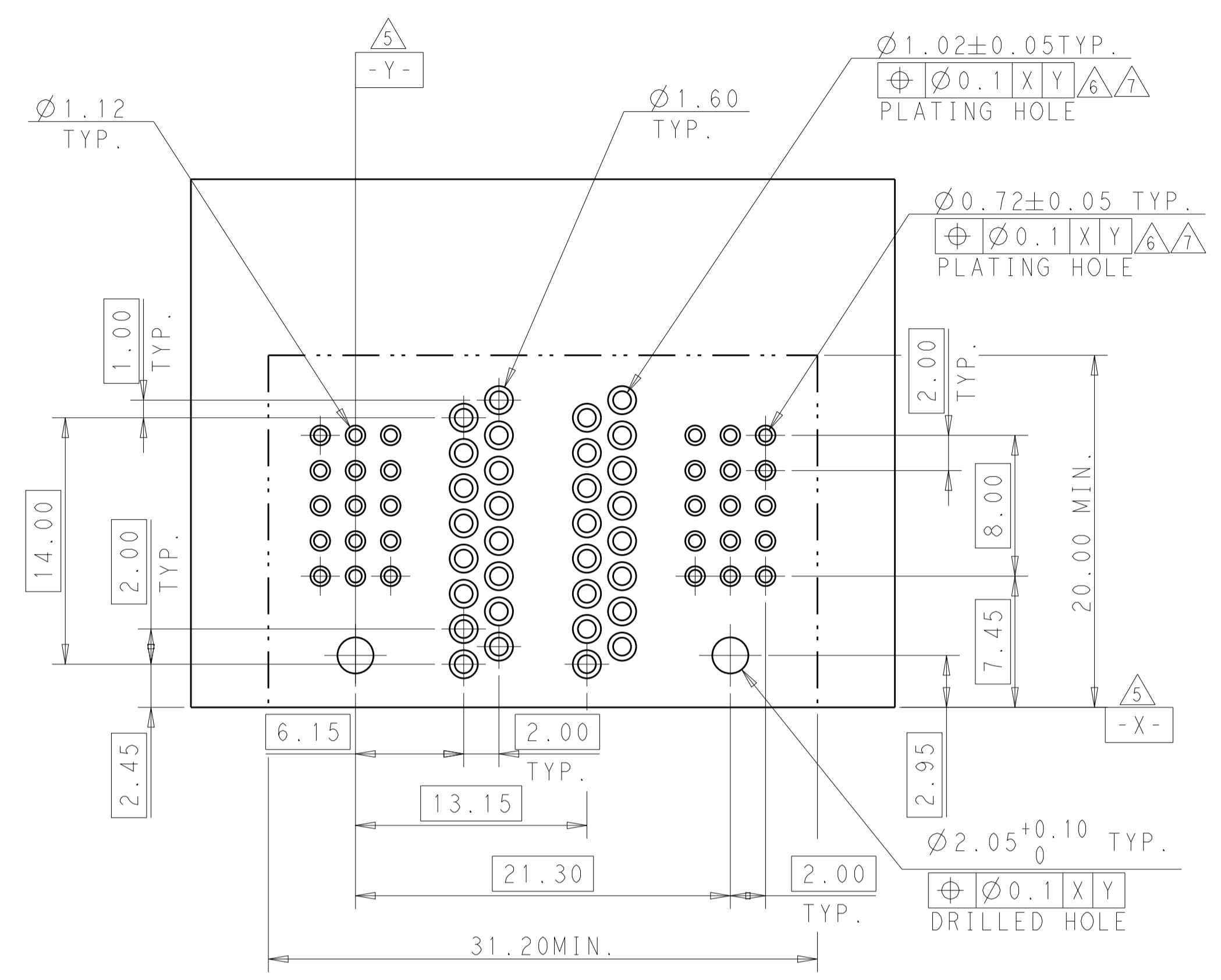


PART NUMBER	ROWS	SIGNAL			POWER												SIGNAL						
		1	2	3	P1	P2	P3	P4	P5	P6	P7	P8	P9	P10	P11	P12	P13	P14	P15	P16	4	5	6
2204440-3	E	SH	SH	SH	PH	PH	PH	PH	PH	PH	PH	PH	PH	PH	PH	PH	PH	PH	PH	PH	SH	SH	SH
	D	SH	SH	SH	PH	PH	PH	PH	PH	PH	PH	PH	PH	PH	PH	PH	PH	PH	PH	PH	SH	SH	SH
	C	SH	SH	SH	PH	PH	PH	PH	PH	PH	PH	PH	PH	PH	PH	PH	PH	PH	PH	PH	SH	SH	SH
	B	SH	SH	SH	PH	PH	PH	PH	PH	PH	PH	PH	PH	PH	PH	PH	PH	PH	PH	PH	SH	SH	SH
	A	SH	SH	SH	PH	PH	PH	PH	PH	PH	PH	PH	PH	PH	PH	PH	PH	PH	PH	PH	SH	SH	SH

15S+8P+8P+15S

THIS DRAWING IS A CONTROLLED DOCUMENT.		DMN THOMAS_ZHAO 31OCT2012	 TE Connectivity
DIMENSIONS: mm		CHK SUNY_ZHAO 31OCT2012	
TOLERANCES UNLESS OTHERWISE SPECIFIED: 0 PLC ±0.4 1 PLC ±0.4 2 PLC ±0.25 3 PLC ±0.15 4 PLC ±0.15 ANGLES ±°		APVD SUNY_ZHAO 31OCT2012	NAME Customer Drawing
MATERIAL		FINISH	PRODUCT SPEC
WEIGHT		RESTRICTED TO	APPLICATION SPEC
CUSTOMER DRAWING		SCALE 4:1	SIZE CAGE CODE DRAWING NO. R/A PLUG S+P+P+S
SHEET 4 OF 7		REV A2	WEIGHT

LOC		DIST		REVISIONS		
P	LTN	DESCRIPTION	DATE	DWN	APVD	
-	-	SEE SHEET 1	-	-	-	



LAYOUT FOR PART NUMBER:
2204440-5/2204440-6

PART NUMBER	ROWS	SIGNAL			POWER		SIGNAL		
		1	2	3	P1	P2	4	5	6
2204440-5	E	[Diagram]			[Diagram]		[Diagram]		
	D	SH	SH	SH	PH	PH	SH	SH	SH
	C	SH	SH	SH			SH	SH	SH
	B	SH	SH	SH			SH	SH	SH
	A	SH	SH	SH			SH	SH	SH
15S+1P+1P+15S									

PART NUMBER	ROWS	SIGNAL			POWER		SIGNAL		
		1	2	3	P1	P2	4	5	6
2204440-6	E	[Diagram]			[Diagram]		[Diagram]		
	D	SH	SH	SH	PH	PH	SH	SH	SH
	C	SH	SH	SH			SH	SH	SH
	B	SH	SH	SH			SH	SH	SH
	A	SH	SH	SH			SH	SH	SH2
15S+1P+1P+12S									

THIS DRAWING IS A CONTROLLED DOCUMENT.

DWN: THOMAS_ZHAO 31OCT2012
 CHK: SUNY_ZHAO 31OCT2012
 APVD: SUNY_ZHAO 31OCT2012

STE TE Connectivity

NAME: Customer Drawing
 MULTI-BEAM HD CONNECTOR
 R/A PLUG S+P+P+S

SIZE: A1 CAGE CODE: 2204440 DRAWING NO: 2204440

MATERIAL: - FINISH: - WEIGHT: -

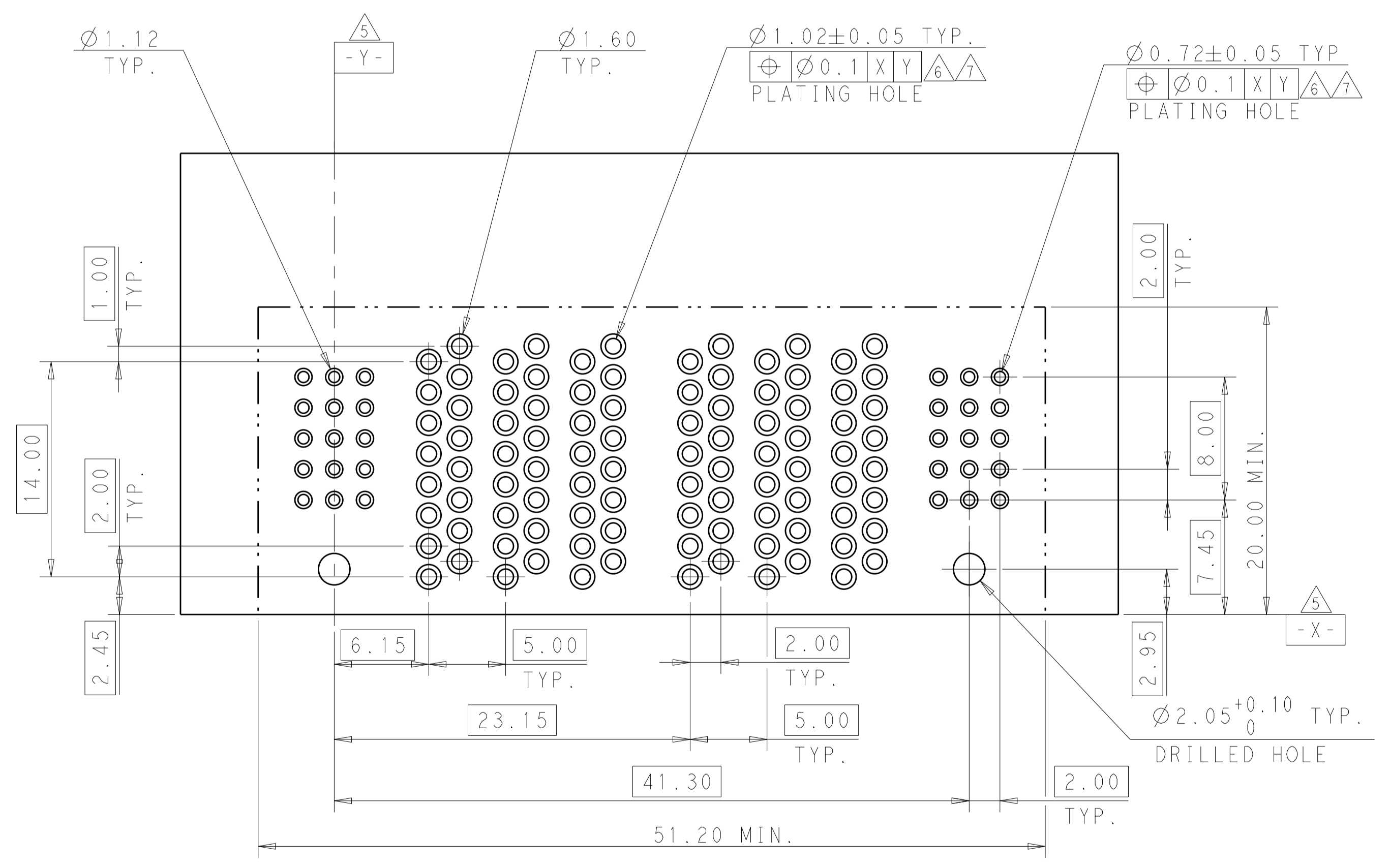
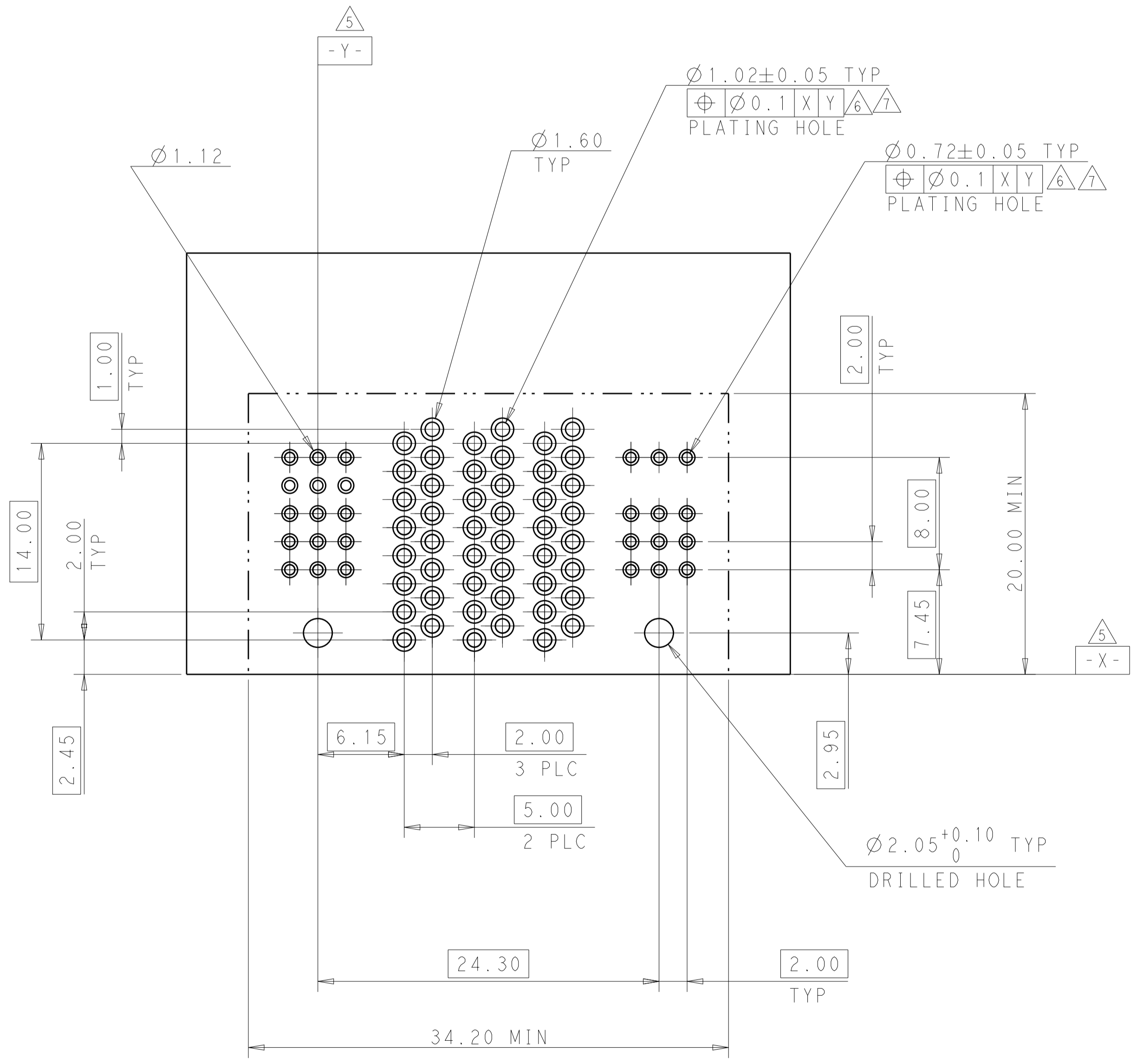
CUSTOMER DRAWING

SCALE: 4:1 SHEET: 5 OF 7 REV: A2

REVISONS		DATE	OWN	APVD
P. LTR	DESCRIPTION			
-	SEE SHEET 1	-	-	-

PART NUMBER	ROWS	SIGNAL			POWER			SIGNAL		
		1	2	3	P1	P2	P3	4	5	6
2204440-7	E	SH	SH	SH	PH	PH	PH	SH	SH	SH
	D	SH	SH	SH						
	C	SH	SH	SH				SH	SH	SH
	B	SH	SH	SH				SH	SH	SH
	A	SH	SH	SH				SH	SH	SH
15S+3P+12S										

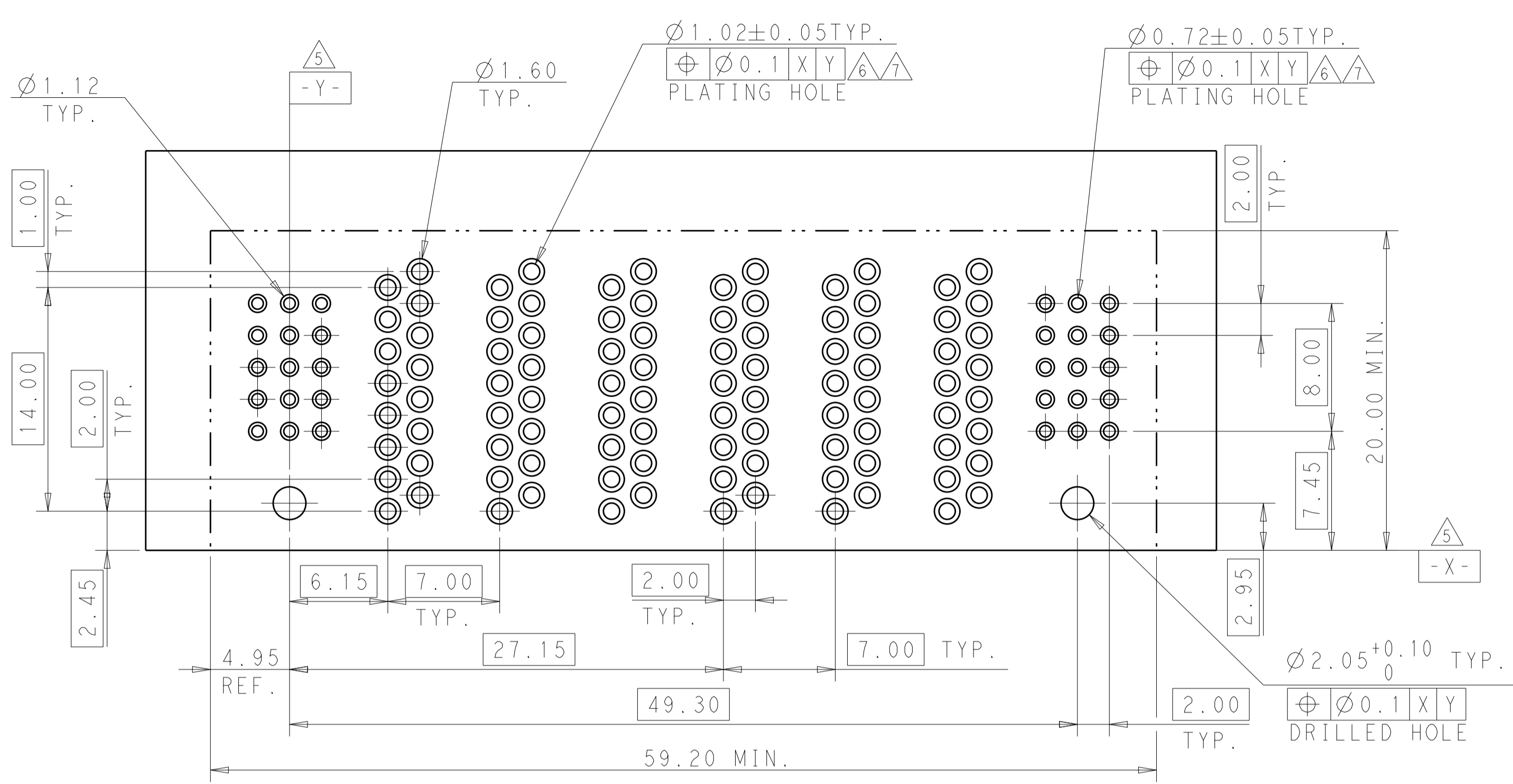
PART NUMBER	ROWS	SIGNAL			POWER						SIGNAL		
		1	2	3	P1	P2	P3	P4	P5	P6	4	5	6
2204440-8	E	SH	SH	SH	PH	PH	PH	PH	PH	PH	SH	SH	SH
	D	SH	SH	SH							SH	SH	SH
	C	SH	SH	SH							SH	SH	SH
	B	SH	SH	SH							SH	SH	SH
	A	SH	SH	SH							SH	SH	SH
15S+3P+3P+15S													



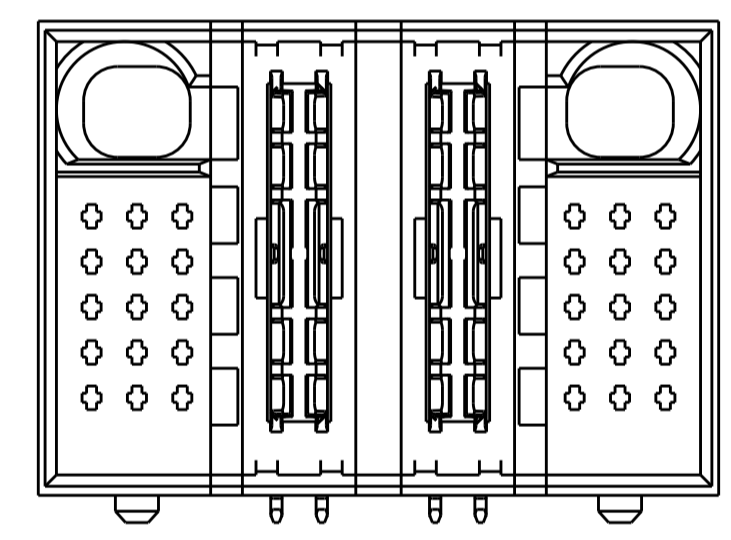
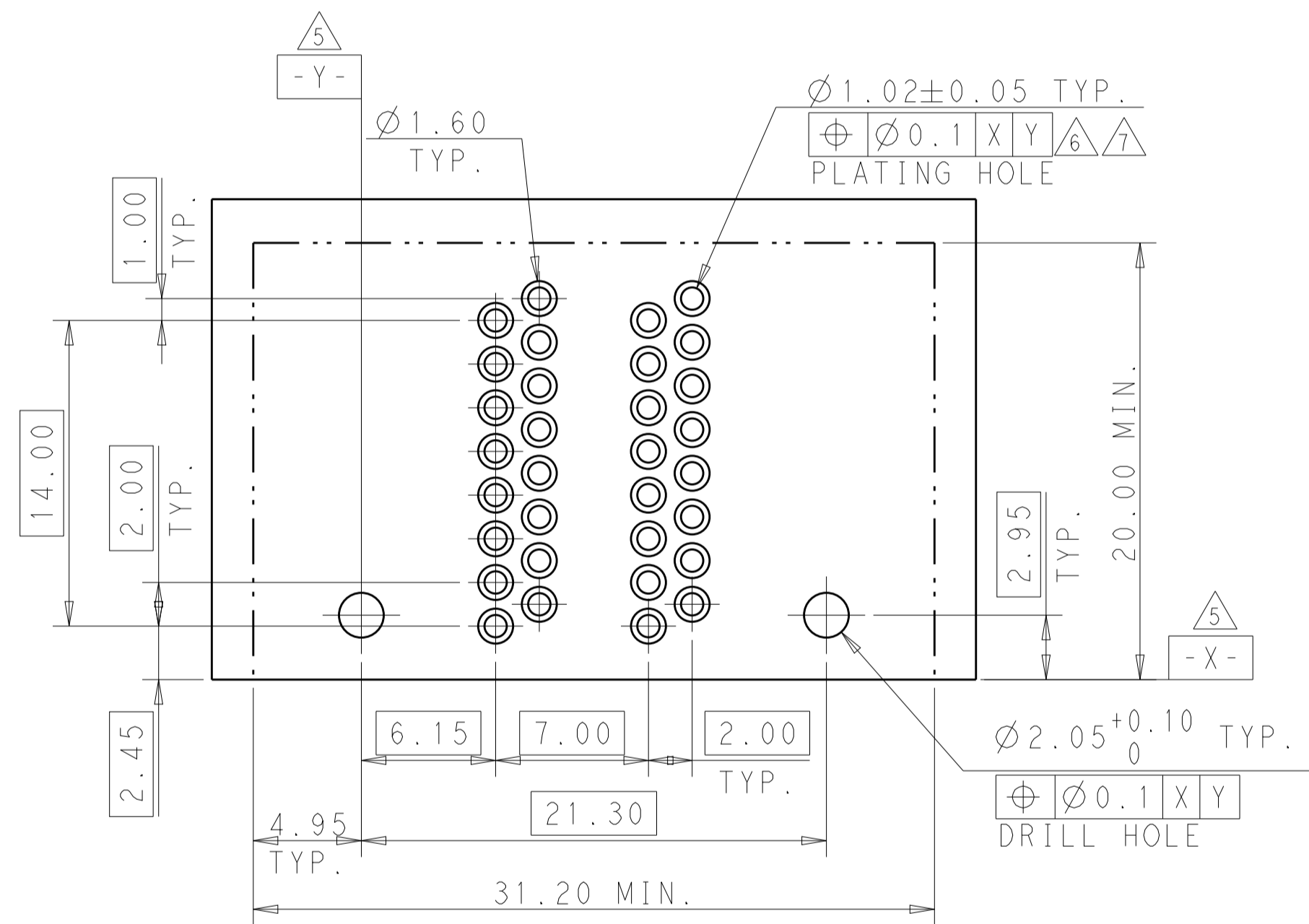
PCB LAYOUT FOR PART NUMBER: 2204440-8/1-2204440-1

THIS DRAWING IS A CONTROLLED DOCUMENT.		OWN: THOMAS ZHAO 31OCT2012	 TE Connectivity
DIMENSIONS: mm		CHK: SUNY ZHAO 31OCT2012	
TOLERANCES UNLESS OTHERWISE SPECIFIED:		APVD: SUNY ZHAO 31OCT2012	NAME: Customer Drawing
0 PLC ±0.4		PRODUCT SPEC	MULTI-BEAM HD CONNECTOR
1 PLC ±0.4		APPLICATION SPEC	R/A PLUG S+P+S
2 PLC ±0.75		SIZE: CAGE CODE: DRAWING NO:	RESTRICTED TO:
3 PLC ±1.5		WEIGHT:	A100779C=2204440
4 PLC ±		CUSTOMER DRAWING	SCALE: 4:1 SHEET 6 OF 7 REV: A2
ANGLES ±			
FINISH			

LOC	DIST	REVISIONS			
P	LTN	DESCRIPTION	DATE	DWN	APVD
-	-	SEE SHEET 1	-	-	-



PART NUMBER	ROWS	SIGNAL			POWER						SIGNAL							
		1	2	3	P1	P2	P3	P4	P5	P6	4	5	6					
2204440-9	E	[Diagram]			PH	PH	PH	PH	PH	PH	PH	[Diagram]						
	D	SH	SH	SH								SH	SH	SH	SH	SH	SH	SH
	C	SH	SH	SH								SH	SH	SH	SH	SH	SH	SH
	B	SH	SH	SH								SH	SH	SH	SH	SH	SH	SH
	A	SH	SH	SH								SH	SH	SH	SH	SH	SH	SH
15S+3HVP+3HVP+15S																		



PART NUMBER	ROWS	POWER	
		P1	P2
1-2204440-0	E	PH	PH
	D		
	C		
	B		
	A		
0S+1P+1P+0S			

PART NUMBER	ROWS	SIGNAL			POWER						SIGNAL			
		1	2	3	P1	P2	P3	P4	P5	P6	4	5	6	
1-2204440-1	E	SH	SH	SH	PH	PH	PH	PH	PH	PH	PH	SH	SH	SH
	D	SH	SH	SH								SH	SH	SH
	C	SH	SH	SH								SH	SH	SH
	B	SH	SH	SH								SH	SH	SH
	A	SH	SH	SH								SH	SH	SH
15S+3P+3P+15S														

THIS DRAWING IS A CONTROLLED DOCUMENT.		DWN THOMAS ZHAO 31OCT2012	TE Connectivity
DIMENSIONS: mm		CHK SUNY ZHAO 31OCT2012	
TOLERANCES UNLESS OTHERWISE SPECIFIED:		APVD SUNY ZHAO 31OCT2012	NAME Customer Drawing MULTI-BEAM HD CONNECTOR R/A PLUG S+P+S
0 PLC ±0.4 1 PLC ±0.4 2 PLC ±0.75 3 PLC ±1.5 4 PLC ±1.5 ANGLES ±°		PRODUCT SPEC	
MATERIAL		APPLICATION SPEC	RESTRICTED TO
FINISH		WEIGHT	SIZE CAGE CODE DRAWING NO. A100779C=2204440
CUSTOMER DRAWING		SCALE 4:1	SHEET 7 OF 7 REV A2

X-ON Electronics

Largest Supplier of Electrical and Electronic Components

Click to view similar products for [Power to the Board](#) category:

Click to view products by [TE Connectivity](#) manufacturer:

Other Similar products are found below :

[6450171-4](#) [6450552-7](#) [6600323-8](#) [6643429-1](#) [6646040-2](#) [6651939-1](#) [6766604-1](#) [120959-1](#) [1393557-2](#) [1393532-2](#) [1393532-3](#) [1393532-4](#)
[1393557-1](#) [1600812-5](#) [1-6450861-2](#) [1744132-7](#) [1761122-1](#) [1766250-1](#) [1892109-1](#) [2-6450860-5](#) [2-6450870-0](#) [1-6450161-4](#) [1-6450850-6](#) [1-](#)
[6450869-6](#) [1645526-2](#) [1-6600130-0](#) [2005243-2](#) [377-0020-11130](#) [TE34-12-16P-F0](#) [51700-10201602AALF](#) [5-6450830-6](#) [5646956-4](#) [377-](#)
[0080-11131A](#) [4-6450830-9](#) [4-6600333-3](#) [10125416-4050LF](#) [10130248-005LF](#) [6600320-3](#) [3-6450860-5](#) [1888123-2](#) [6450166-1](#) [6643978-1](#)
[6766605-1](#) [701-15-02109](#) [N11444](#) [6651938-1](#) [6450810-7](#) [46437-1112](#) [1-1589677-8](#) [5646956-5](#)