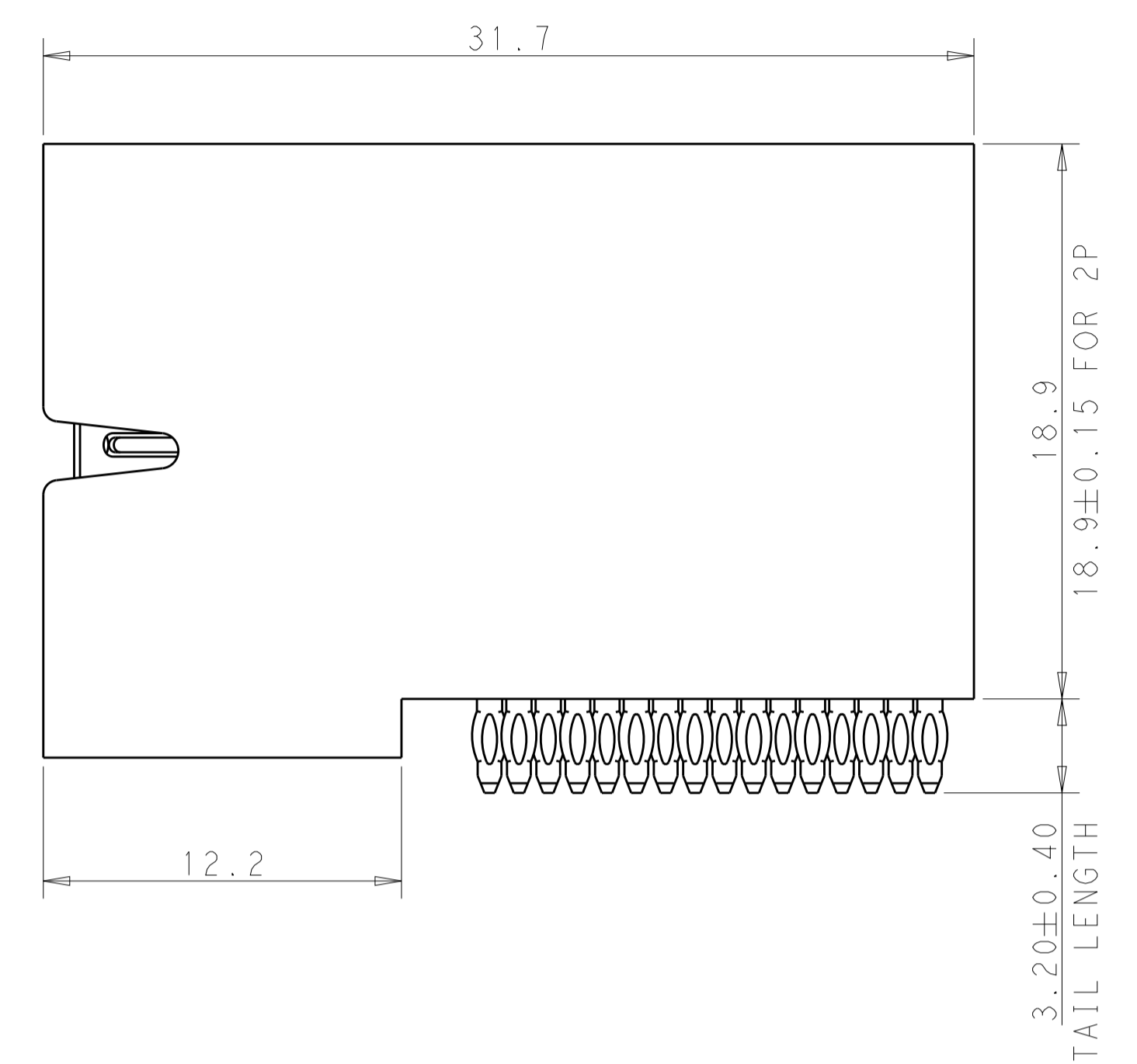
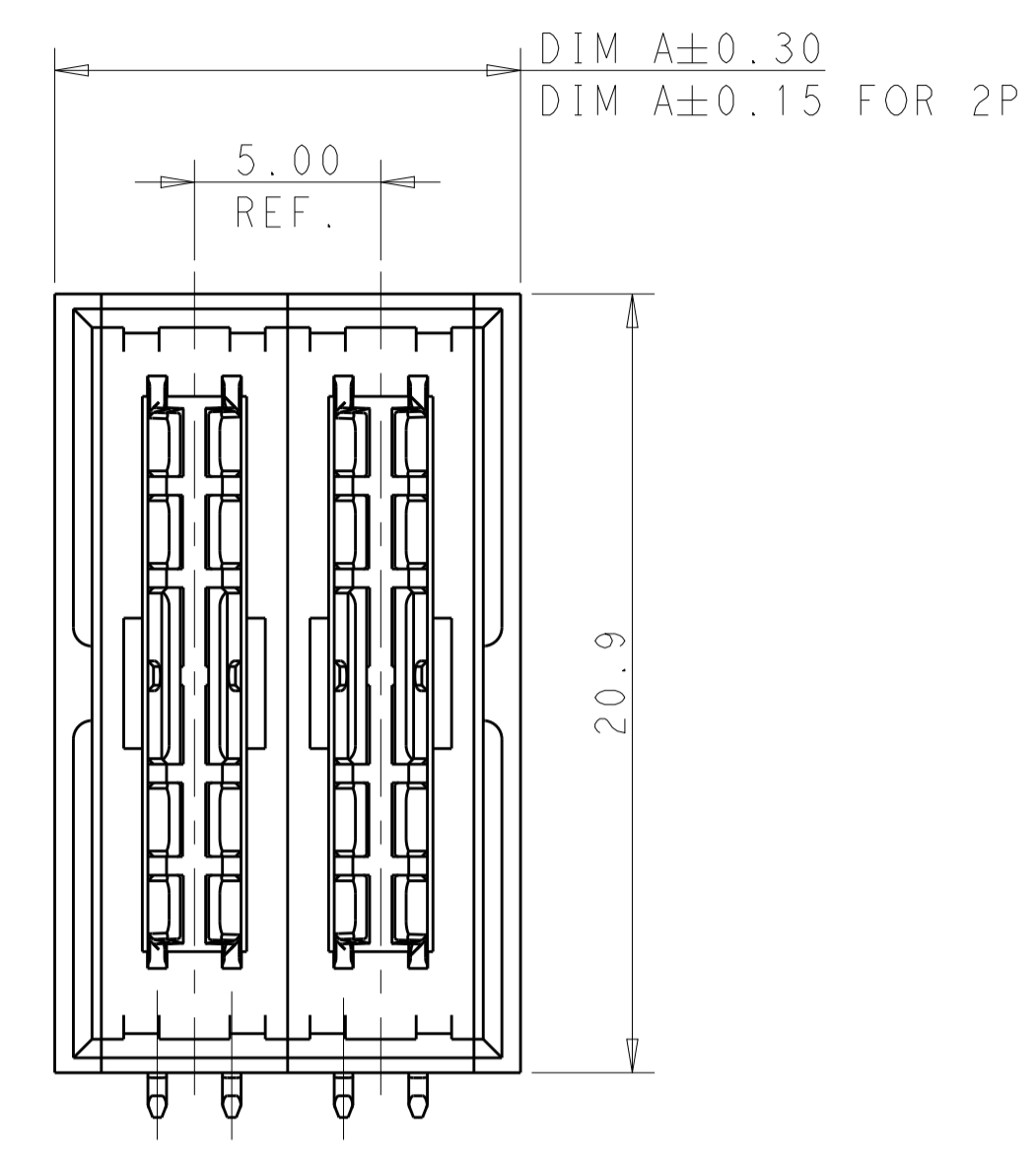
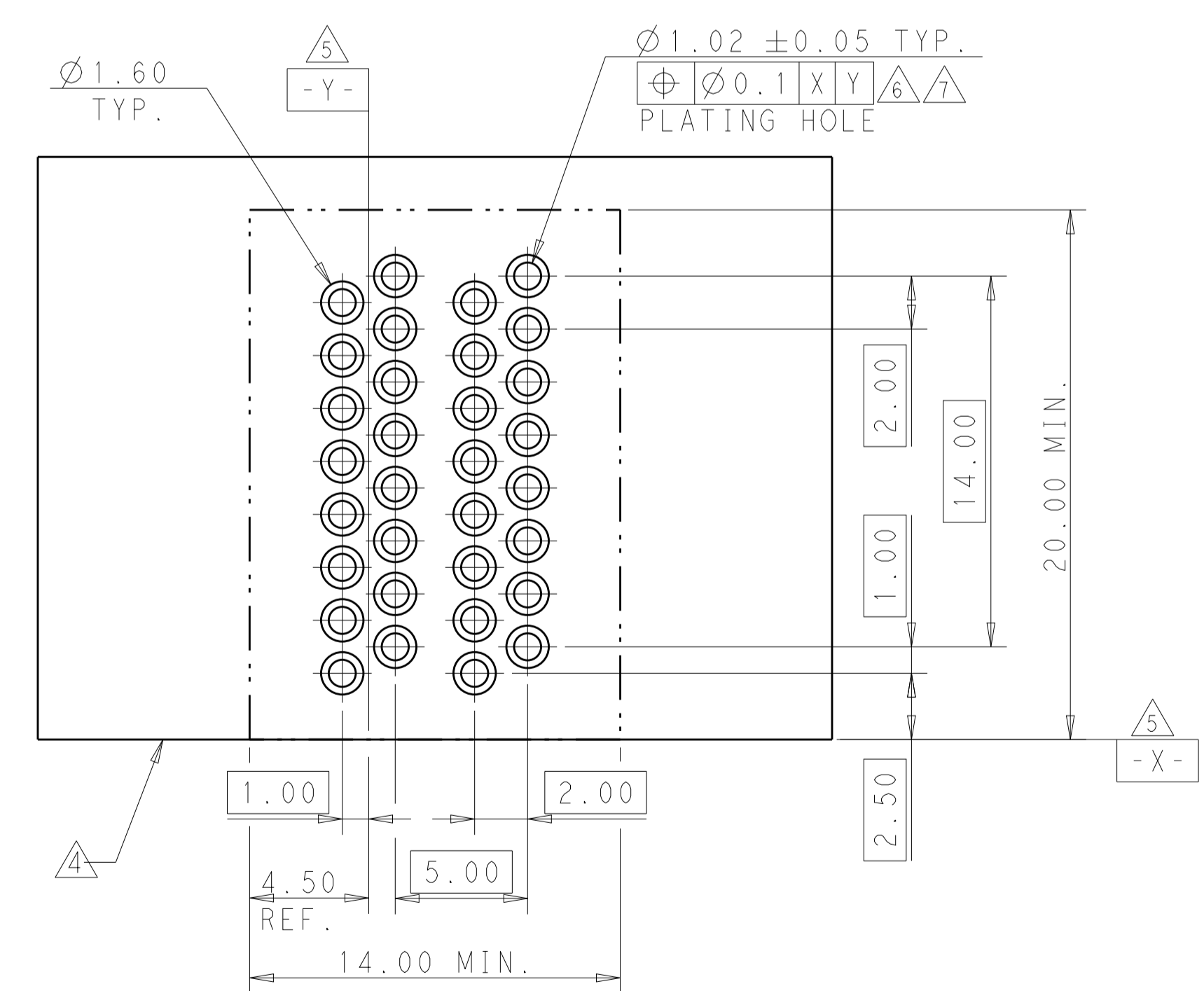
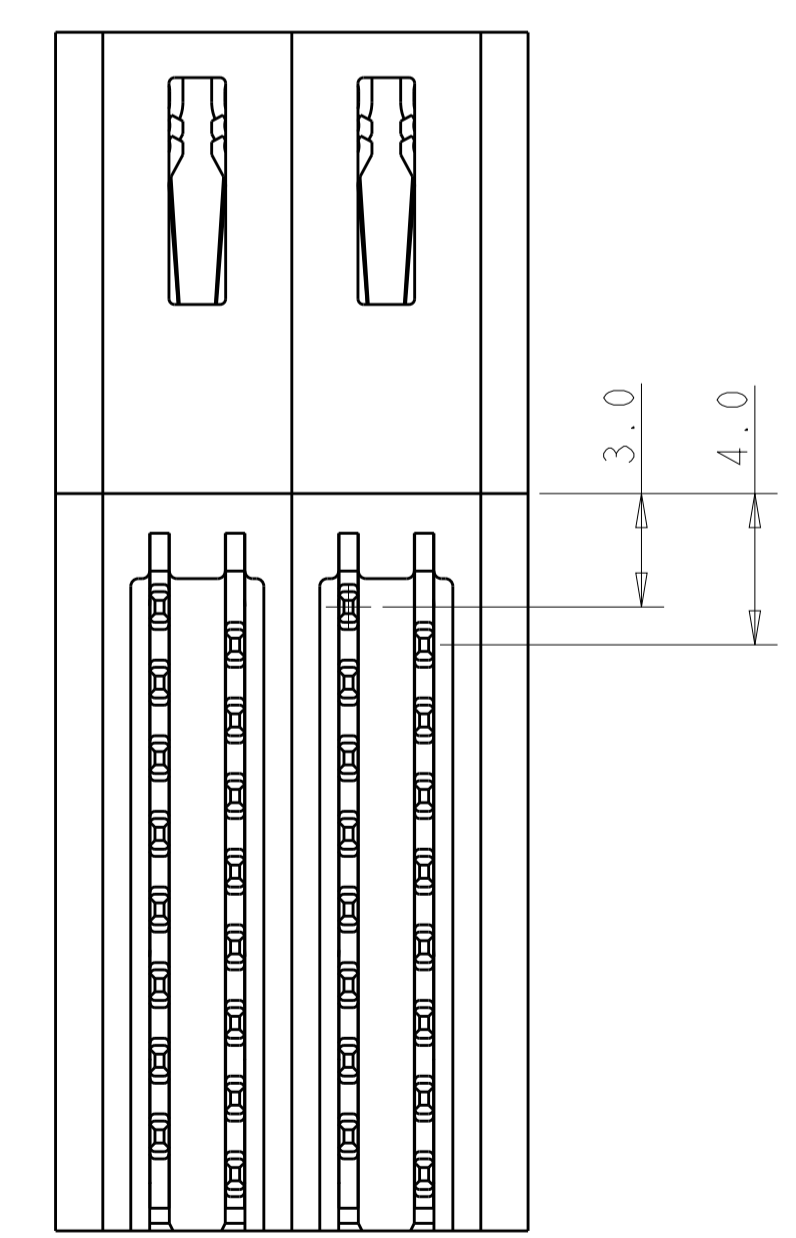


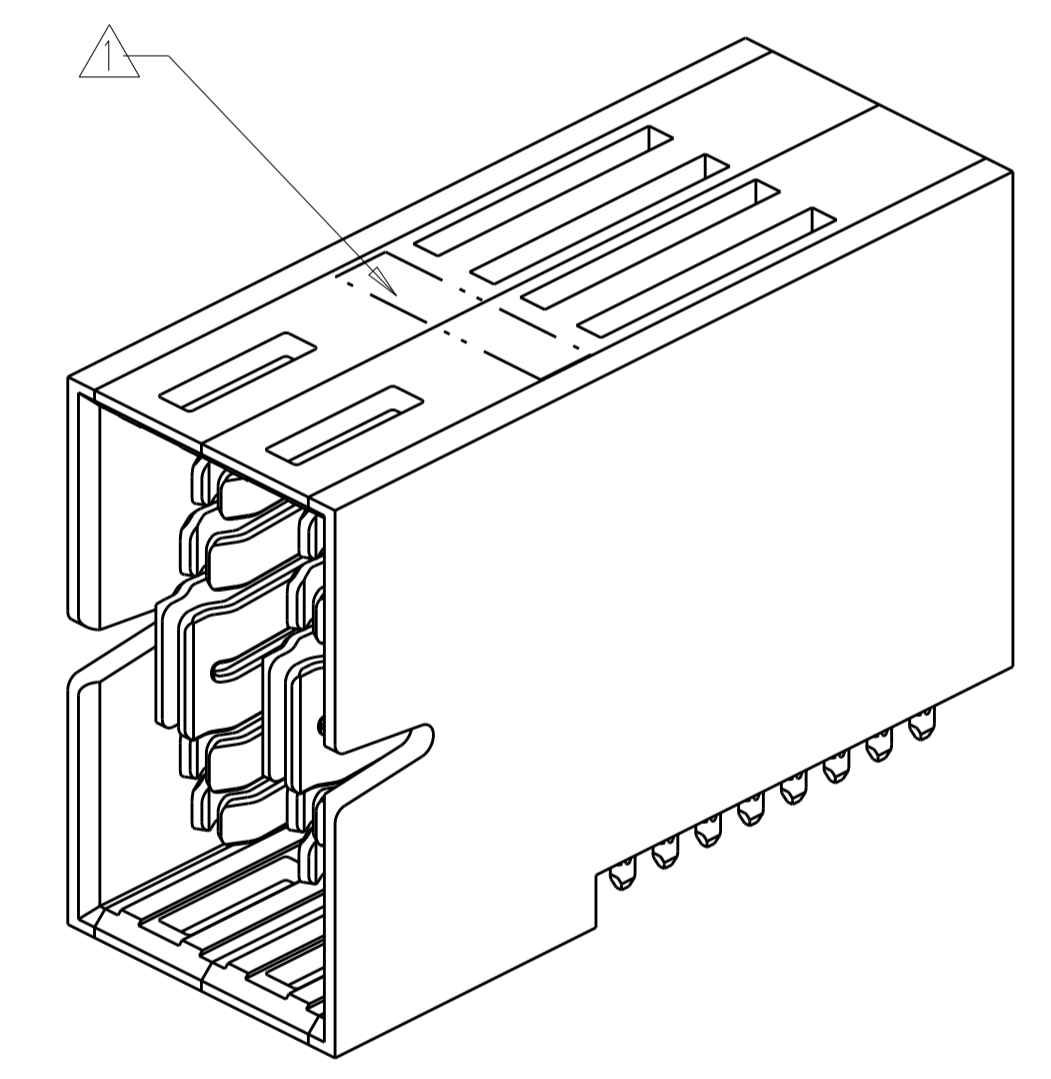
LOC	DIST	REV	DESCRIPTION	DATE	DWN	APVD
-	-	A4	ECR-18-000263	09JAN2018	TZ	SZ



NOTES, UNLESS OTHERWISE SPECIFIED:  
 △ "TE", PART NUMBER AND DATE CODE TO BE MARKED IN AREA SHOWN.  
 △ MATERIAL:  
 HOUSING - GLASS FILLED HIGH TEMP THERMO PLASTIC, COLOR: BLACK, UL94 V- 0.  
 SIGNAL CONTACT - HIGH CONDUCTIVITY COPPER ALLOY.  
 POWER CONTACT - HIGH CONDUCTIVITY COPPER ALLOY.  
 △ CONTACT PLATING:  
 MATING AREA - NOBLE METAL OVERALL NICKEL  
 TAIL SIDE AREA - MATTE TIN OVERALL NICKEL.  
 △ MECHANICAL CONNECTOR KEEP OUT ZONE.  
 △ DATUM AND BASIC DIMENSIONS ESTABLISHED BY CUSTOMER.  
 △ PCB - ALL HOLE DIAMETERS ARE FINISHED HOLE SIZES.  
 △ PCB HOLE:  
 POWER - 1.15 ± 0.025 MM DRILLED HOLES SIZE PLATING WITH 0.0076 MM MIN. Sn OVER 0.025~0.076 MM Cu PLATING TO ACHIEVE A 1.02 MM DIA. HOLE.



PART NUMBER	POWER	
	P1	P2
2204443-1	PH	PH
2P		



	DIM D	DIM C	DIM B	DIM A	DESCRIPTION	PART NUMBER
PRILIMINARY	2.00	5.00	8.50	21.00	2P+20S	2204443-6
PRILIMINARY	-	-	-	9.50	4LP	2204443-5
PRILIMINARY	-	-	-	14.50	4MP	2204443-4
	-	-	-	22.50	4P	2204443-2
	-	-	-	12.50	2P	2204443-1

DESCRIPTION	CODE
INSERT MOLDING SIGNAL STANDARD	VH1
MIDDLE POWER CONTACT	MH
POWER CONTACT	PH

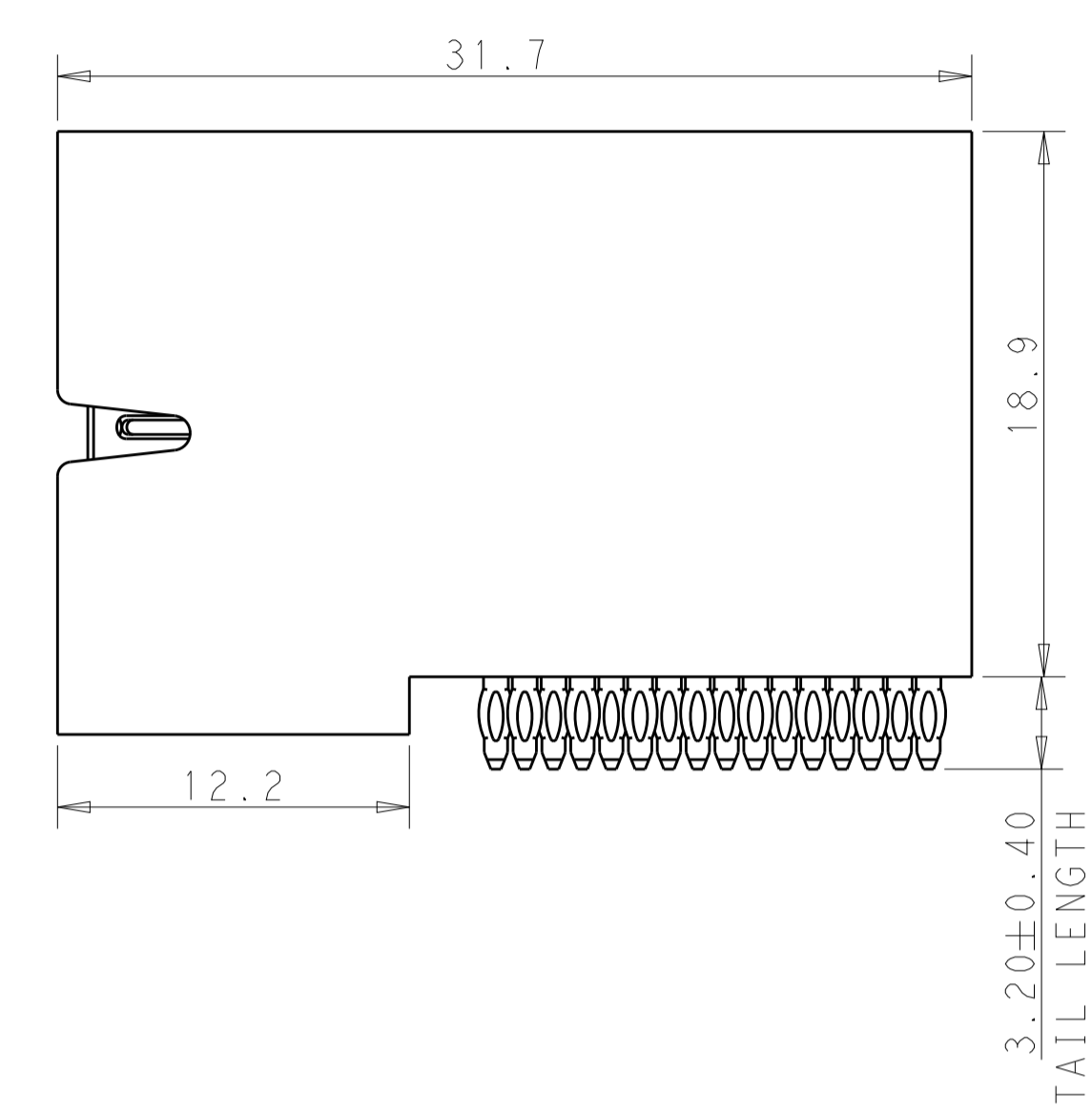
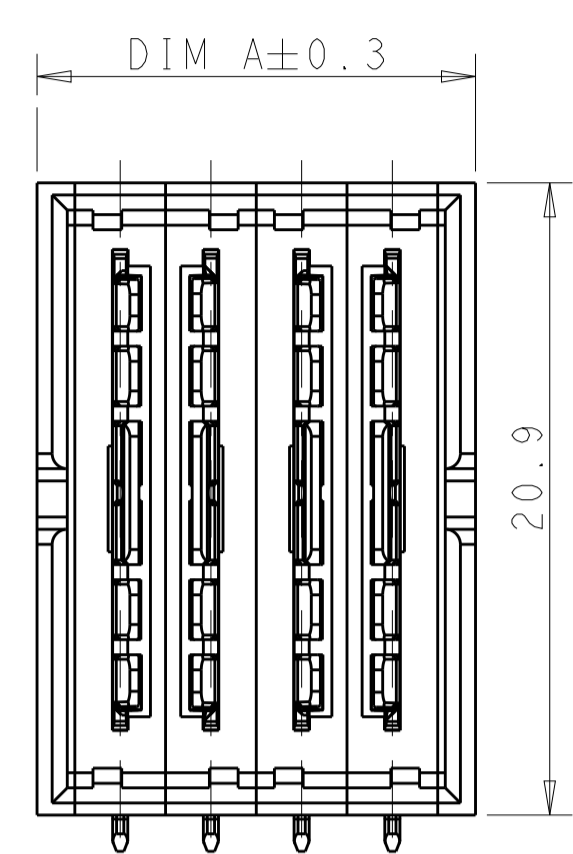
THIS DRAWING IS A CONTROLLED DOCUMENT. DWN: THOMAS\_ZHAO 28JUN2012, CHK: SUNY\_ZHAO 28JUN2012, APVD: SUNY\_ZHAO 28JUN2012

**STE** TE Connectivity

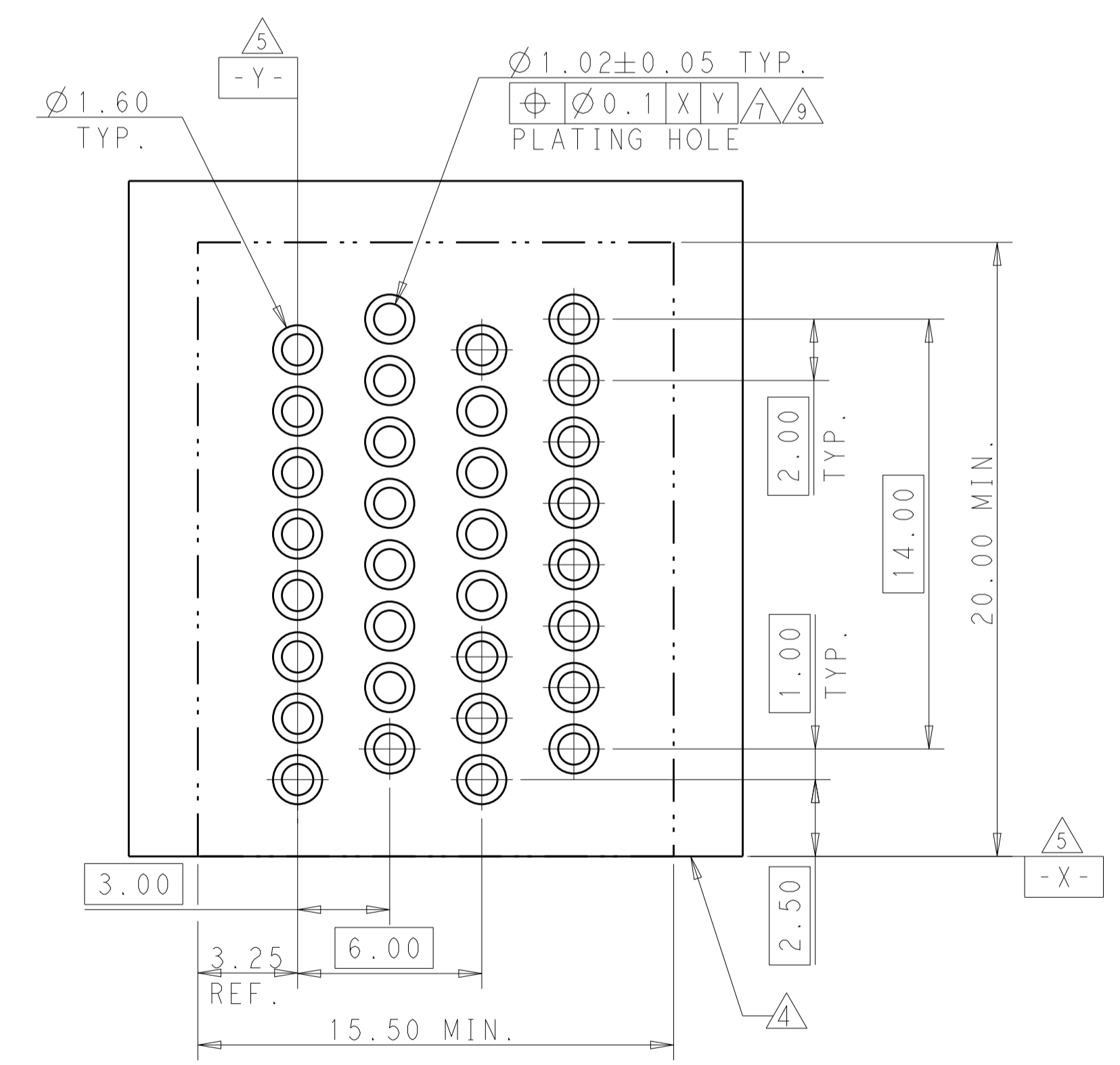
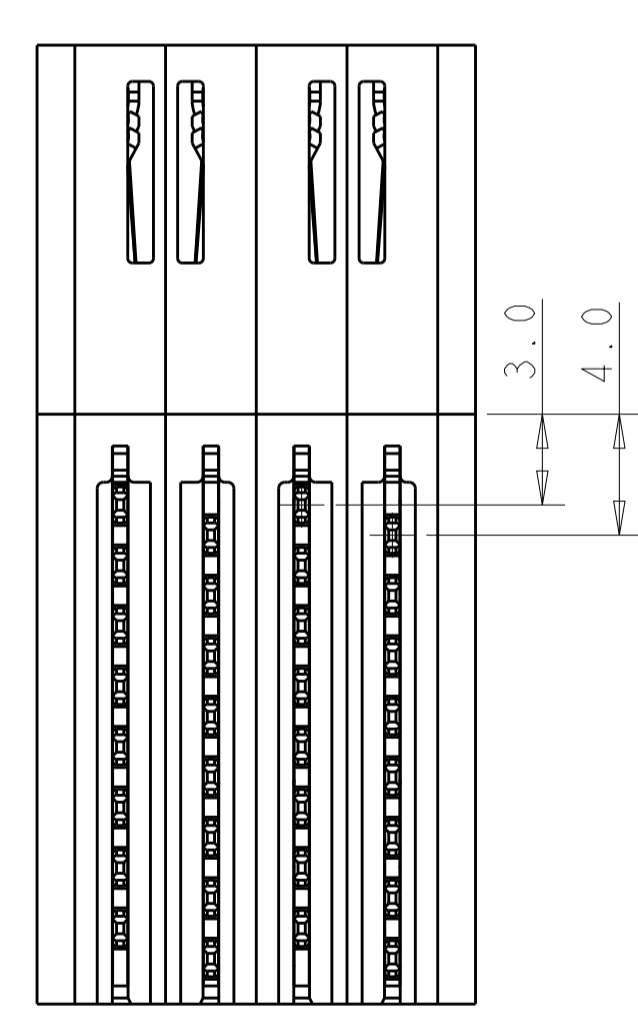
Customer Drawing  
RIGHT ANGLE PLUG PRESS FIT  
MULTI-BEAM HD W/GUIDELESS

SCALE: 5:1 SHEET 1 OF 5 REV: A4

LOC		DIST		REVISIONS			
P	LTN	DESCRIPTION	DATE	DMN	APVD		
-	-	SEE SHEET 1	-	-	-		

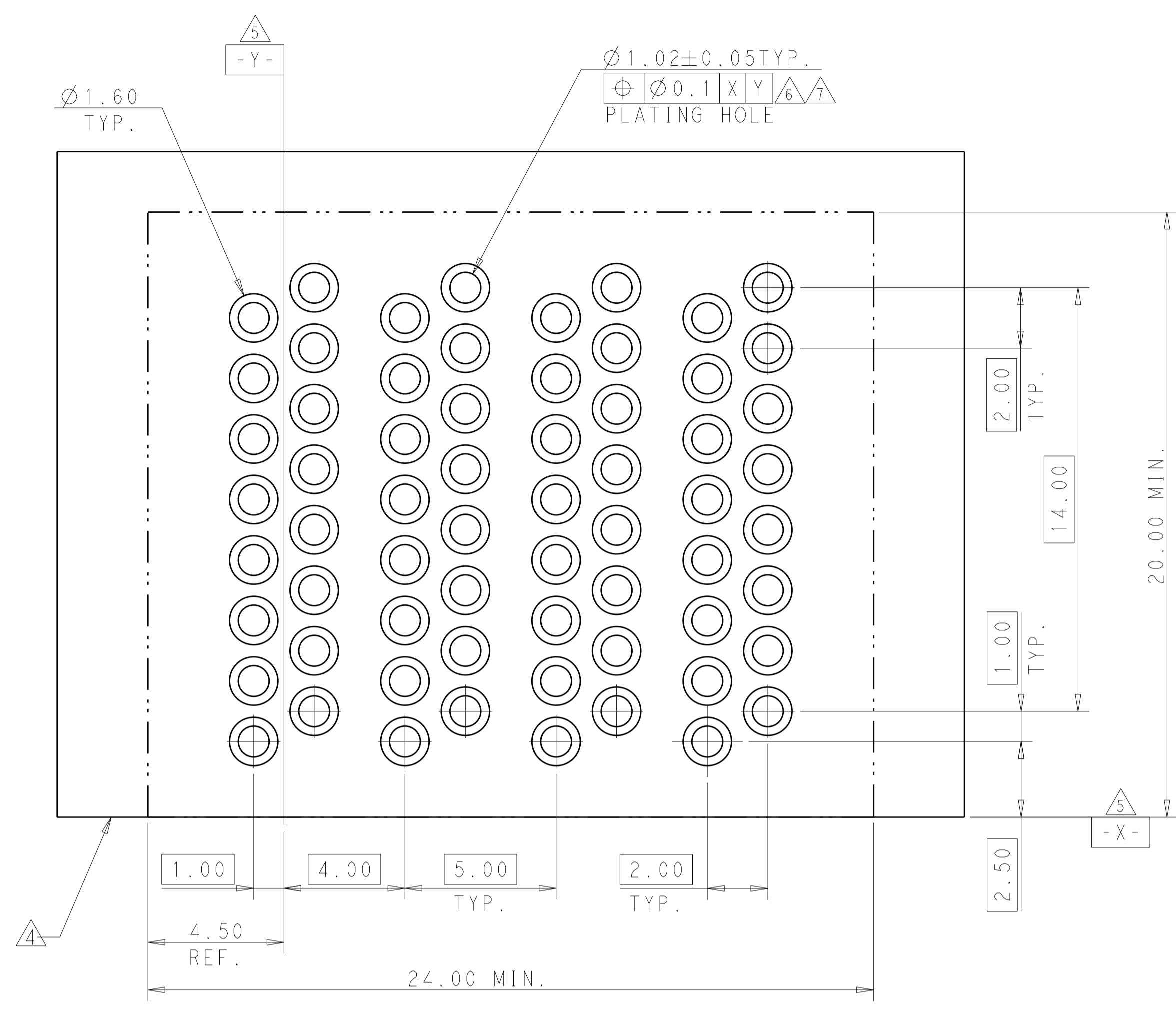


PART NUMBER	POWER			
	M1	M2	M3	M4
2204443-4	MH	MH	MH	MH
4MP				



THIS DRAWING IS A CONTROLLED DOCUMENT.		DMN THOMAS_ZHAO 28JUN2012	TE Connectivity
DIMENSIONS: mm		CHK SUNY_ZHAO 28JUN2012	
TOLERANCES UNLESS OTHERWISE SPECIFIED:		APVD SUNY_ZHAO 28JUN2012	NAME Customer Drawing
0 PLC ±	1 PLC ±0.4	PRODUCT SPEC	RIGHT ANGLE PLUG PRESS FIT
2 PLC ±0.75	3 PLC ±1.15	APPLICATION SPEC	MULTI-BEAM HD W/GUIDELESS
4 PLC ±	ANGLES ±	WEIGHT	RESTRICTED TO
MATERIAL	FINISH	CAGE CODE DRAWING NO	A1 - C=2204443
CUSTOMER DRAWING		SCALE 5:1	SHEET 2 OF 5 REV A4

LOC		DIST		REVISIONS			
P	LTN	DESCRIPTION	DATE	DWN	APVD		
-	-	SEE SHEET 1	-	-	-		



PART NUMBER	POWER			
	P1	P2	P3	P4
2204443-2	PH	PH	PH	PH
4P				

THIS DRAWING IS A CONTROLLED DOCUMENT.

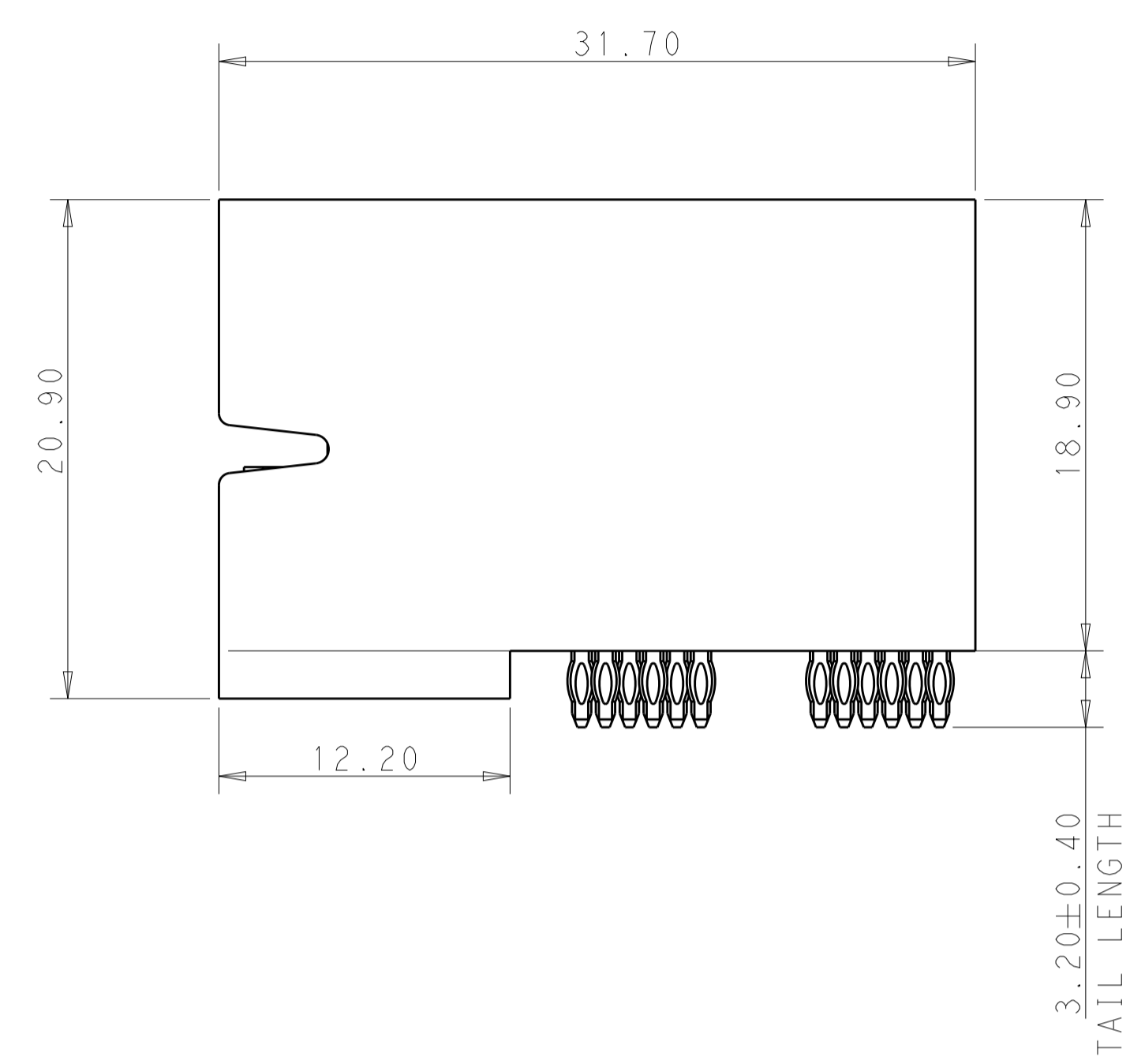
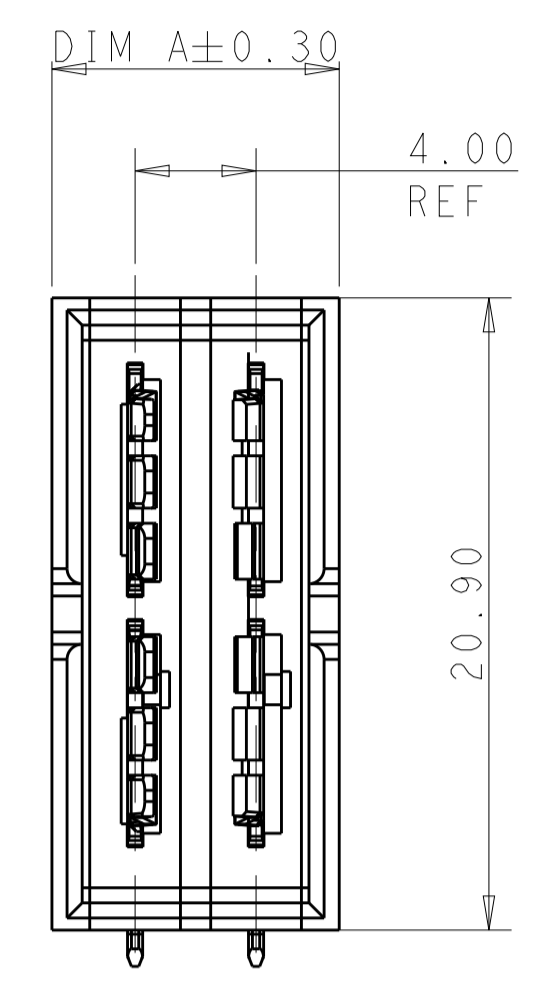
DWN: THOMAS\_ZHAO 28JUN2012  
 CHK: SUNY\_ZHAO 28JUN2012  
 APVD: SUNY\_ZHAO 28JUN2012

TE Connectivity

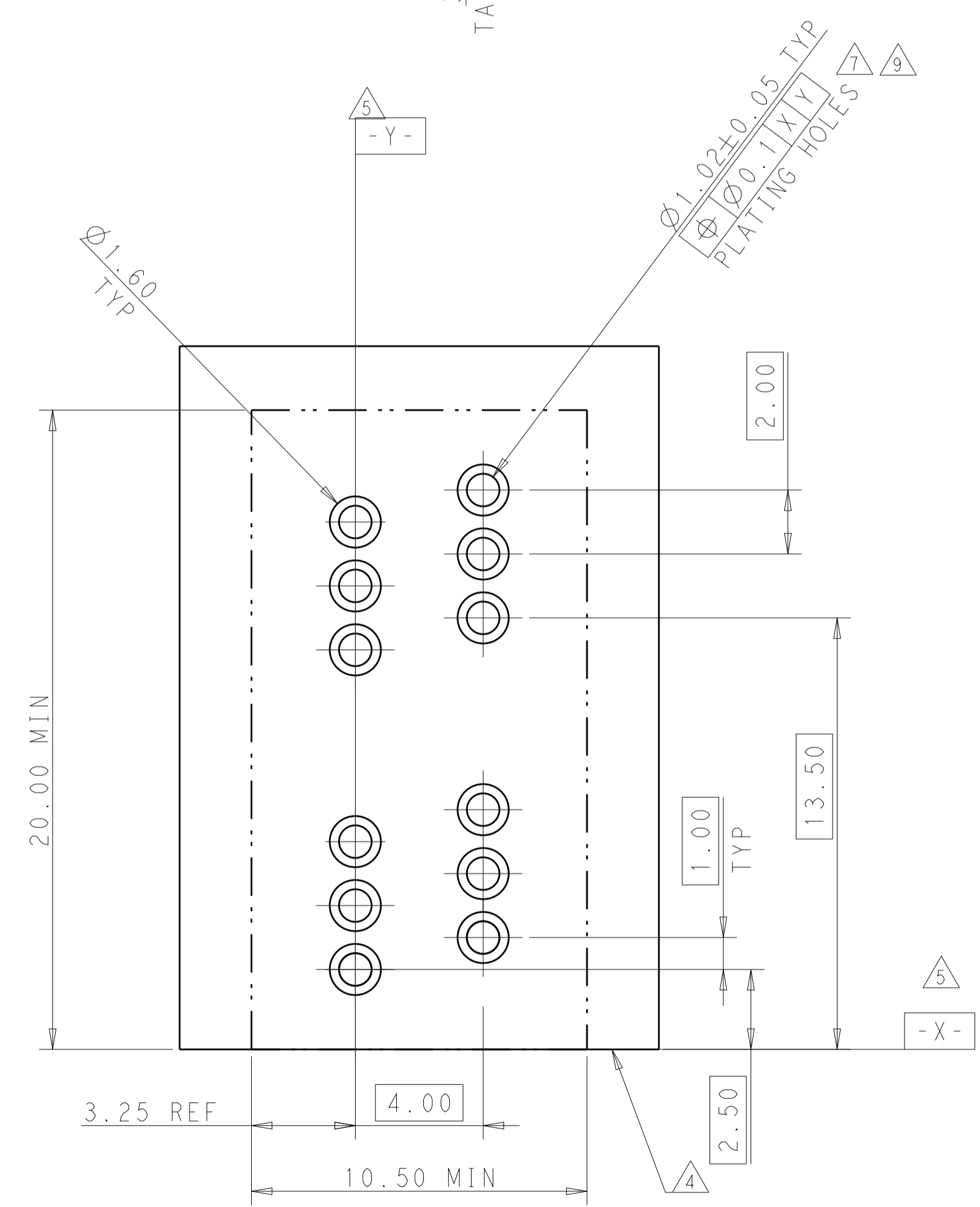
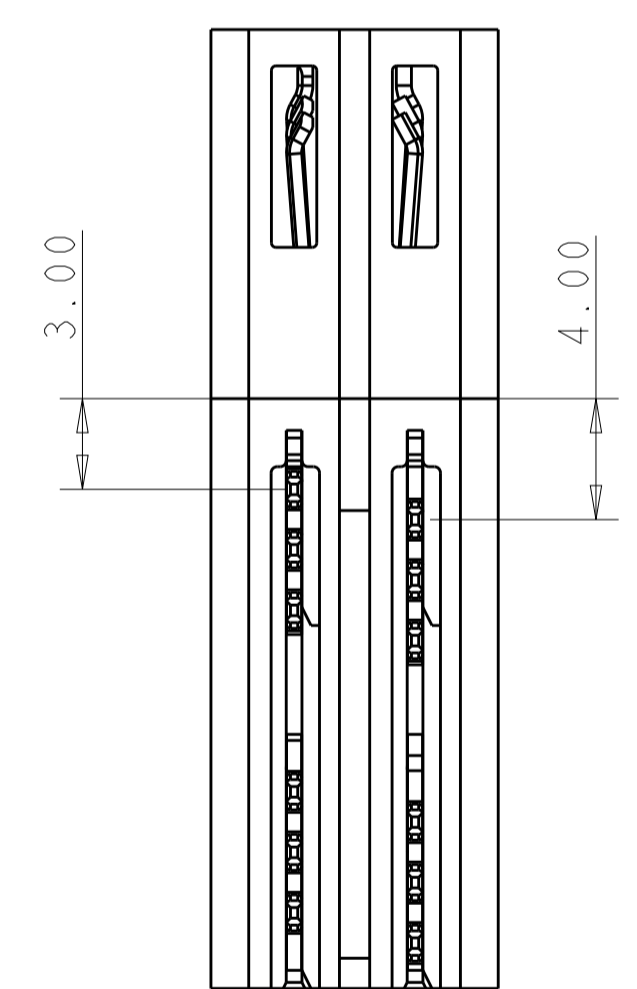
Customer Drawing  
 RIGHT ANGLE PLUG PRESS FIT  
 MULTI-BEAM HD W/GUIDELESS

SIZE: A1 CAGE CODE: - DRAWING NO: 2204443 RESTRICTED TO: -  
 MATERIAL: - FINISH: - WEIGHT: -  
 CUSTOMER DRAWING SCALE: 5:1 SHEET 3 OF 5 REV: A4

LOC		DIST		REVISIONS			
		P	LTN	DESCRIPTION	DATE	DMN	APVD
-	-	-	-	SEE SHEET 1	-	-	-



PART NUMBER	POWER	
	LP1	LP2
2204443-5	LP1	LP2
	LH1	LH2
4LP		

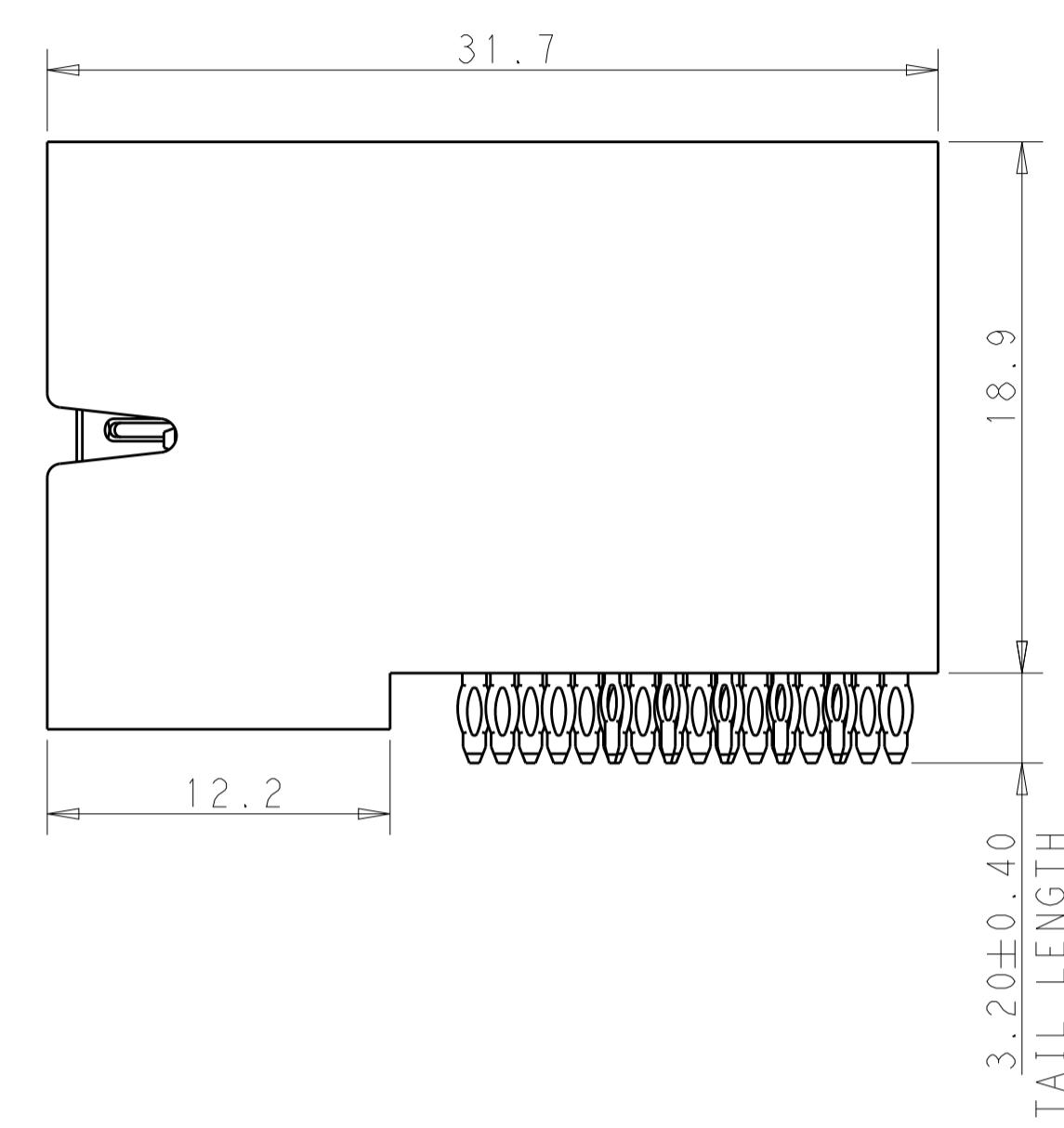
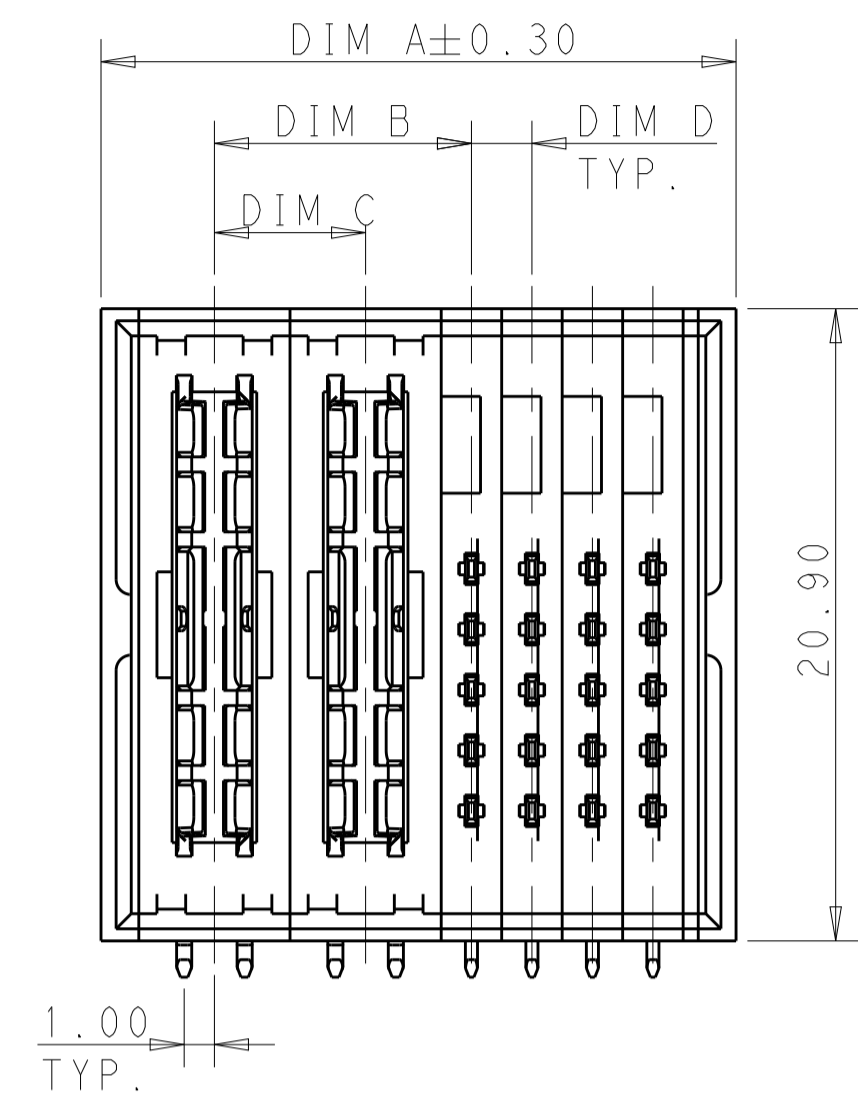


LP BOTTOM CONTACT PRESS-FIT	LH
LP TOP CONTACT PRESS-FIT	LP
DESCRIPTION	CODE

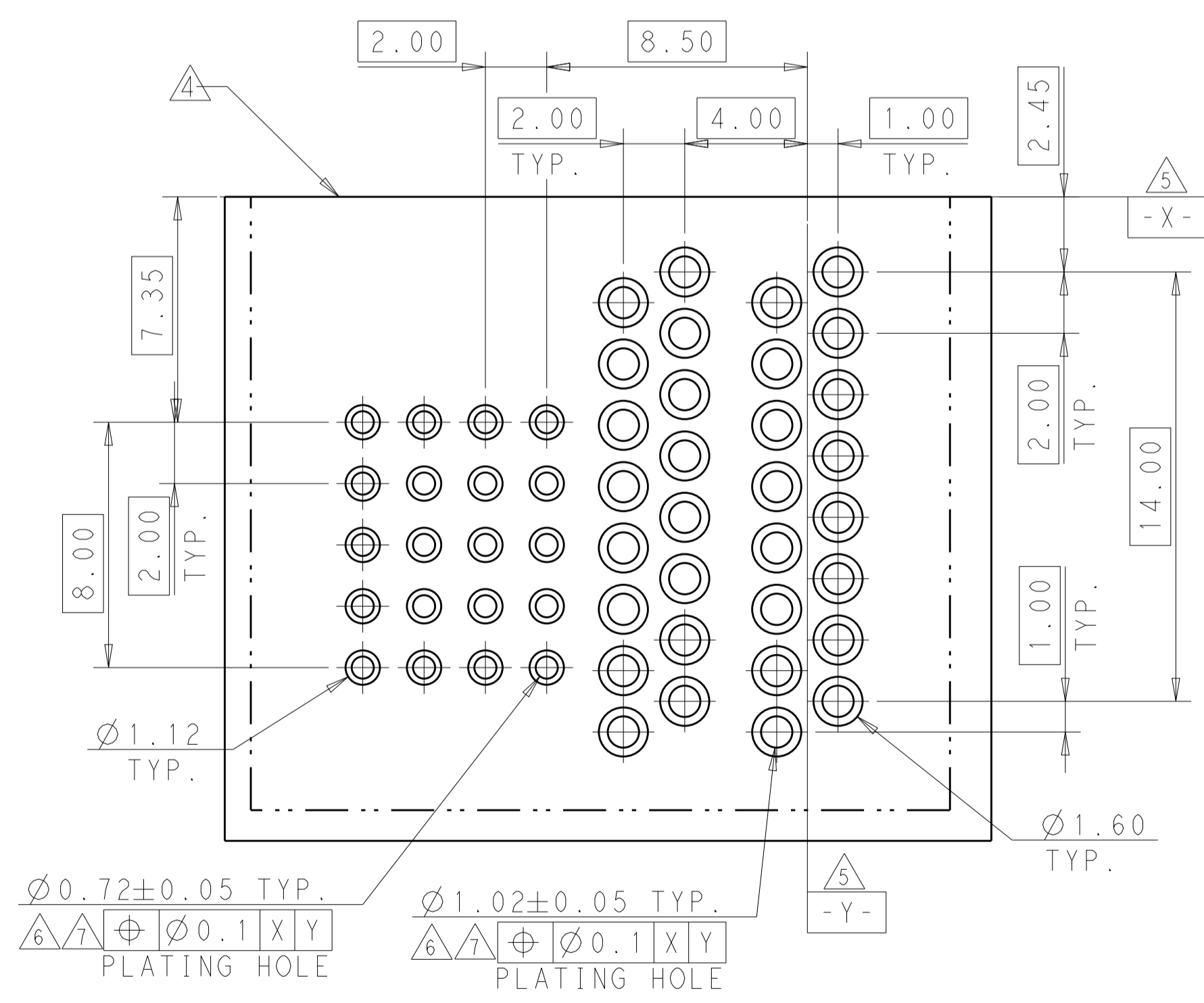
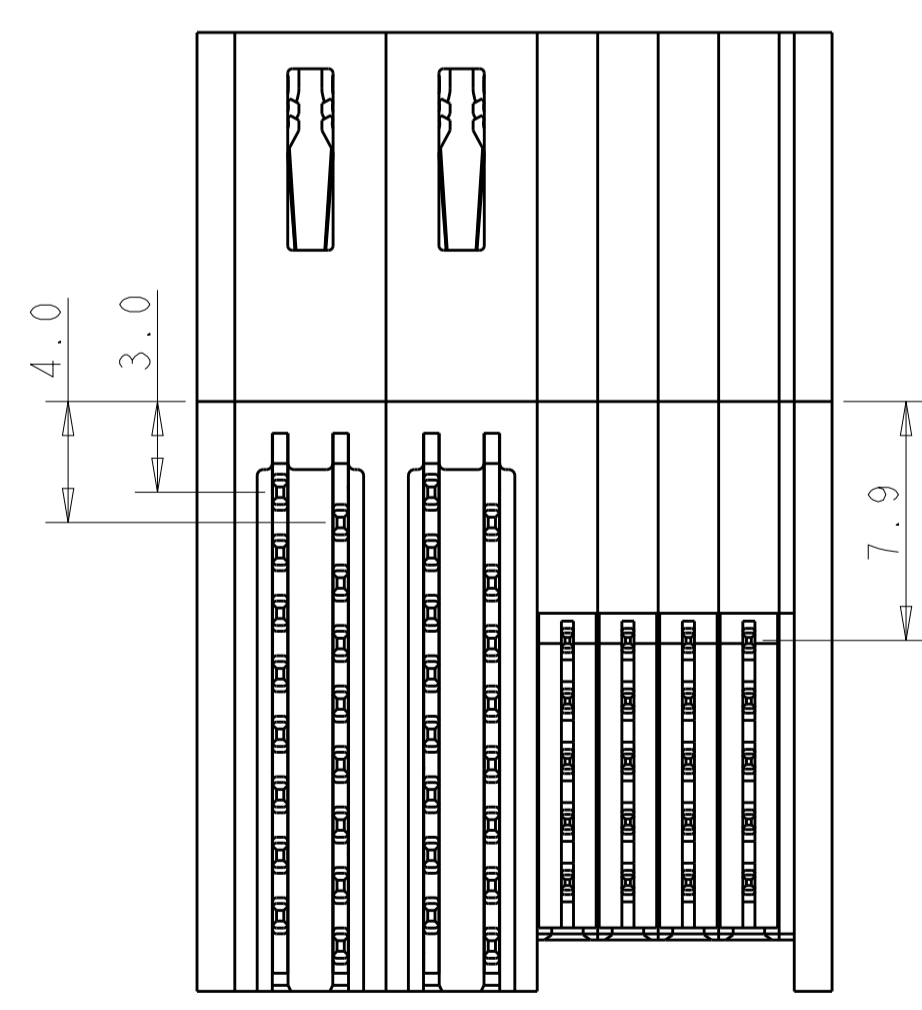
THIS DRAWING IS A CONTROLLED DOCUMENT.

DIMENSIONS:	TOLERANCES UNLESS OTHERWISE SPECIFIED:	DMN	28JUN2012	TE Connectivity Customer Drawing RIGHT ANGLE PLUG PRESS FIT MULTI-BEAM HD W/GUIDELESS
mm	0 PLC ± .4	CHK	THOMAS_ZHAO 28JUN2012	
	1 PLC ± 0.4	CHK	SUNY_ZHAO 28JUN2012	
	2 PLC ± 0.75	APVD	SUNY_ZHAO 28JUN2012	
	3 PLC ± 1.0	PRODUCT SPEC		NAME
	4 PLC ± .	APPLICATION SPEC		SIZE
	ANGLES ± .	FINISH ± .		CAGE CODE
MATERIAL		WEIGHT		DRAWING NO
				RESTRICTED TO
				A1
				©=2204443
				CUSTOMER DRAWING
				SCALE 5:1 SHEET 4 OF 5 REV A4

LOC		DIST		REVISIONS			
P	LTN	DESCRIPTION	DATE	DWN	APVD		
-	-	SEE SHEET 1	-	-	-		



PART NUMBER	POWER		SIGNAL				ROWS
	P1	P2	1	2	3	4	
2204443-6	PH	PH	VH	VH	VH	VH	E
			VH	VH	VH	VH	D
			VH	VH	VH	VH	C
			VH	VH	VH	VH	B
			VH	VH	VH	VH	A
2P+20S							



THIS PAGE SHOW THE PART NUMBER: 2204443-6

THIS DRAWING IS A CONTROLLED DOCUMENT.		DWN THOMAS_ZHAO 28JUN2012	TE Connectivity
DIMENSIONS: mm		CHK SUNY_ZHAO 28JUN2012	
TOLERANCES UNLESS OTHERWISE SPECIFIED:		APVD SUNY_ZHAO 28JUN2012	NAME Customer Drawing
0 PLC ±0.4 1 PLC ±0.4 2 PLC ±0.25 3 PLC ±0.15 4 PLC ±0.15 ANGLES ±°		PRODUCT SPEC	RIGHT ANGLE PLUG PRESS FIT
MATERIAL		WEIGHT	MULTI-BEAM HD W/GUIDELESS
FINISH		CAGE CODE DRAWING NO	RESTRICTED TO
CUSTOMER DRAWING		A1	SCALE 5:1 SHEET 5 OF 5 REV A4

## X-ON Electronics

Largest Supplier of Electrical and Electronic Components

*Click to view similar products for [Power to the Board](#) category:*

*Click to view products by [TE Connectivity](#) manufacturer:*

Other Similar products are found below :

[6450171-4](#) [6450552-7](#) [6600323-8](#) [6643429-1](#) [6646040-2](#) [6651939-1](#) [6766604-1](#) [120959-1](#) [1393557-2](#) [1393532-2](#) [1393532-3](#) [1393532-4](#)  
[1393557-1](#) [1600812-5](#) [1-6450861-2](#) [1744132-7](#) [1761122-1](#) [1766250-1](#) [1892109-1](#) [2-6450860-5](#) [2-6450870-0](#) [1-6450161-4](#) [1-6450850-6](#) [1-](#)  
[6450869-6](#) [1645526-2](#) [1-6600130-0](#) [2005243-2](#) [377-0020-11130](#) [TE34-12-16P-F0](#) [51700-10201602AALF](#) [5-6450830-6](#) [5646956-4](#) [377-](#)  
[0080-11131A](#) [4-6450830-9](#) [4-6600333-3](#) [10125416-4050LF](#) [10130248-005LF](#) [6600320-3](#) [3-6450860-5](#) [1888123-2](#) [6450166-1](#) [6643978-1](#)  
[6766605-1](#) [701-15-02109](#) [N11444](#) [6651938-1](#) [6450810-7](#) [46437-1112](#) [1-1589677-8](#) [5646956-5](#)