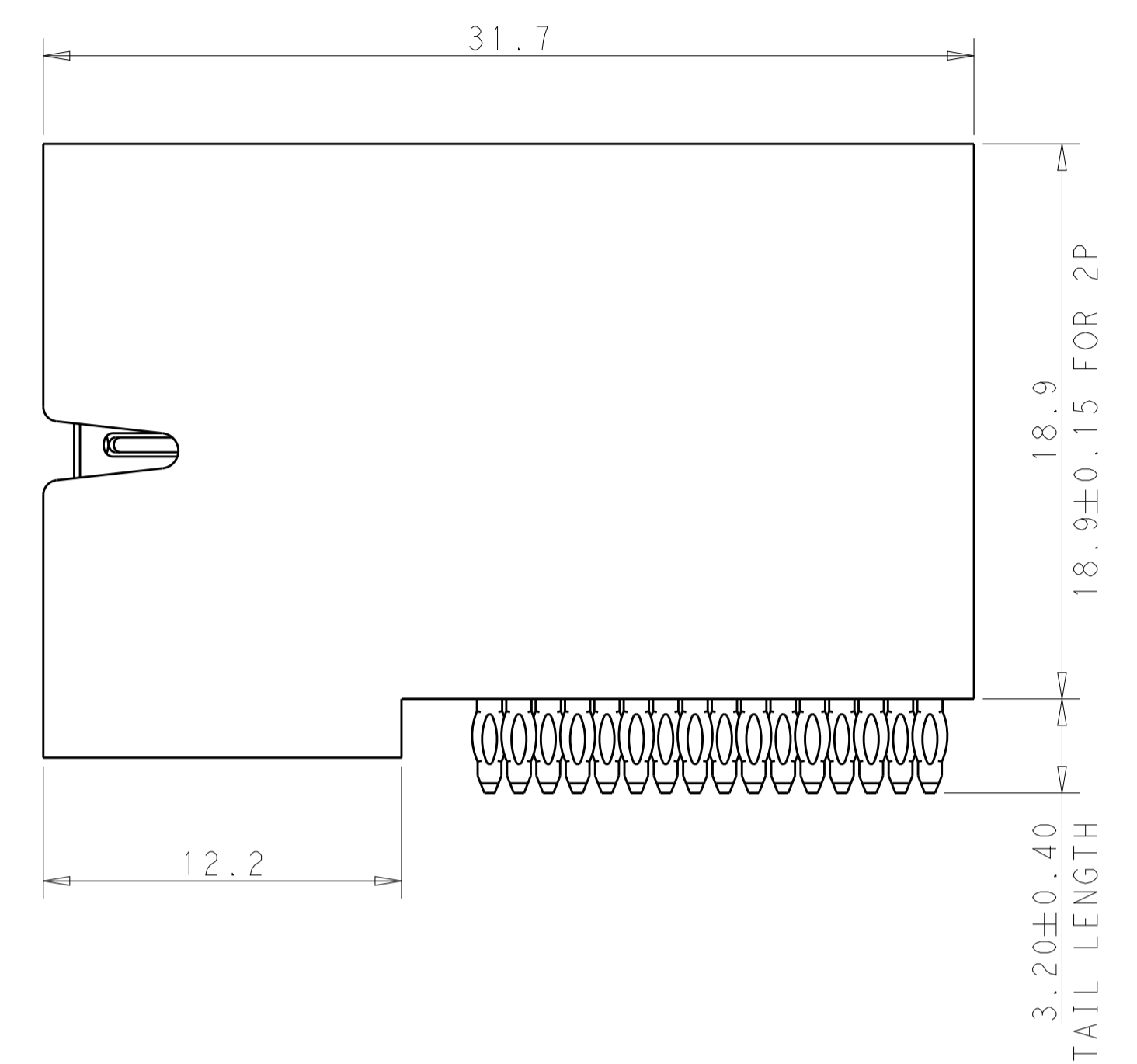
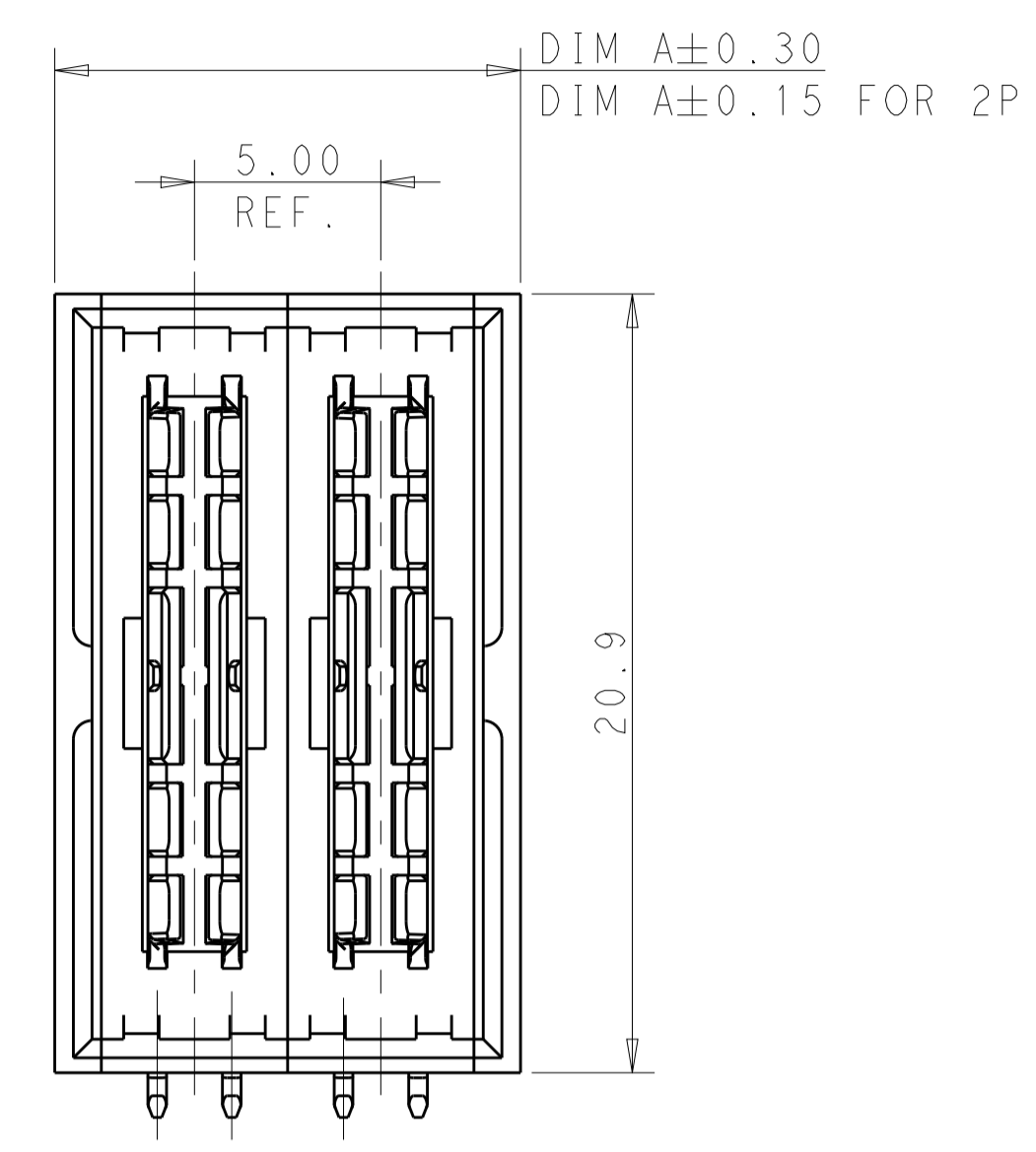
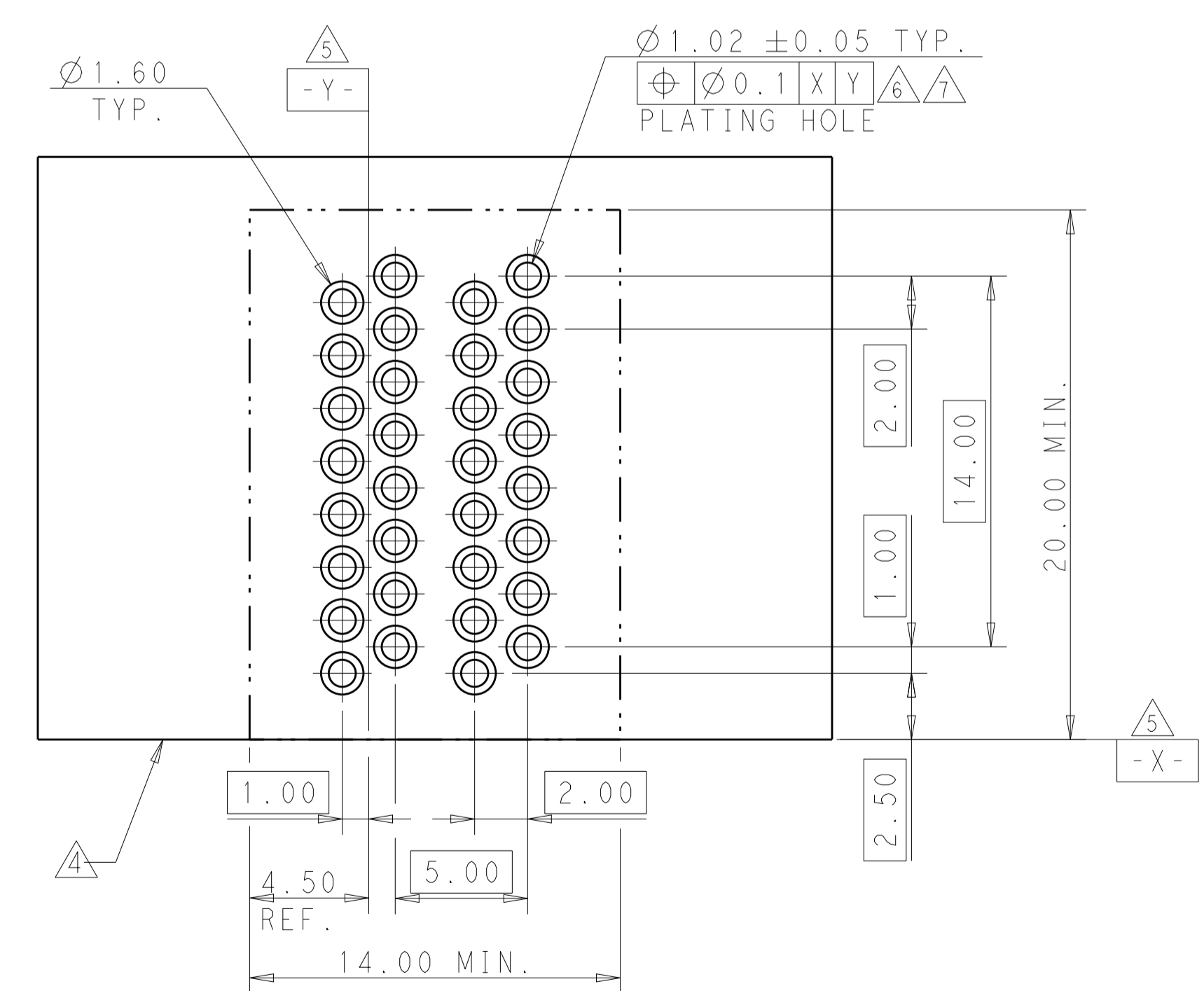
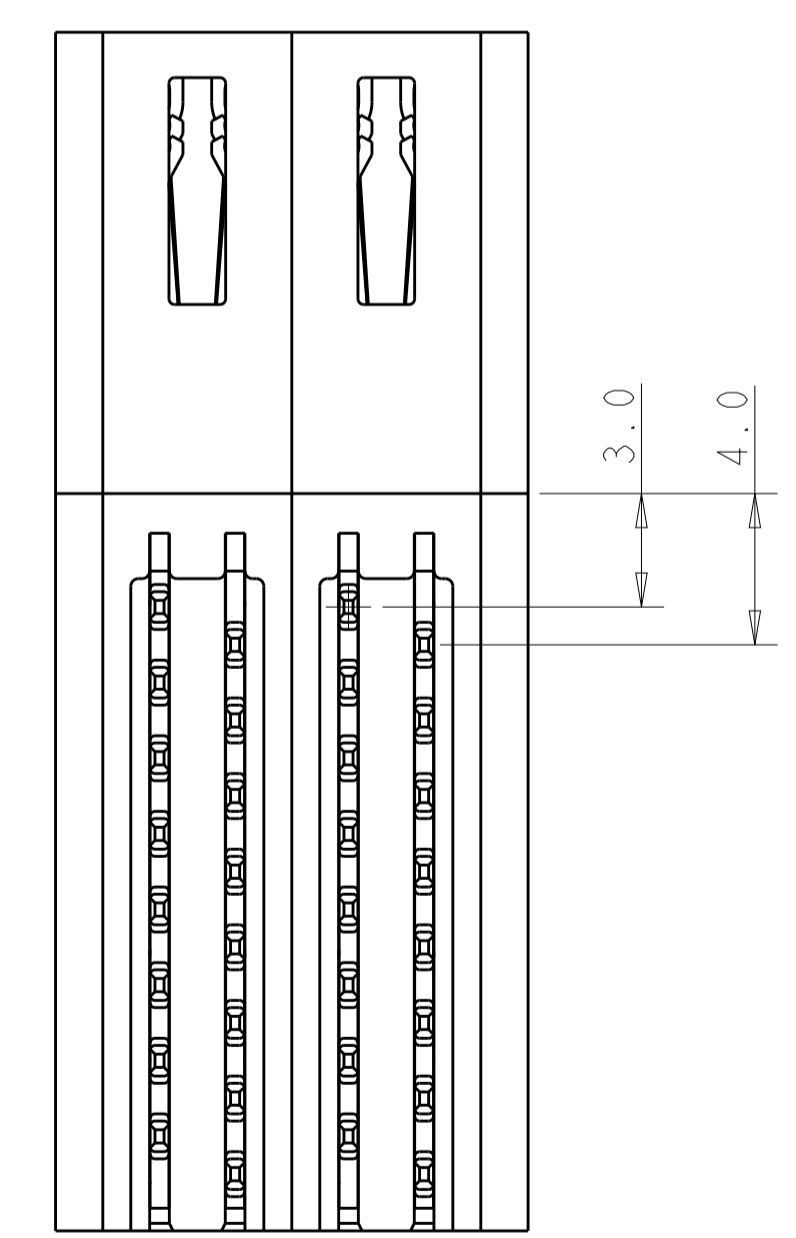


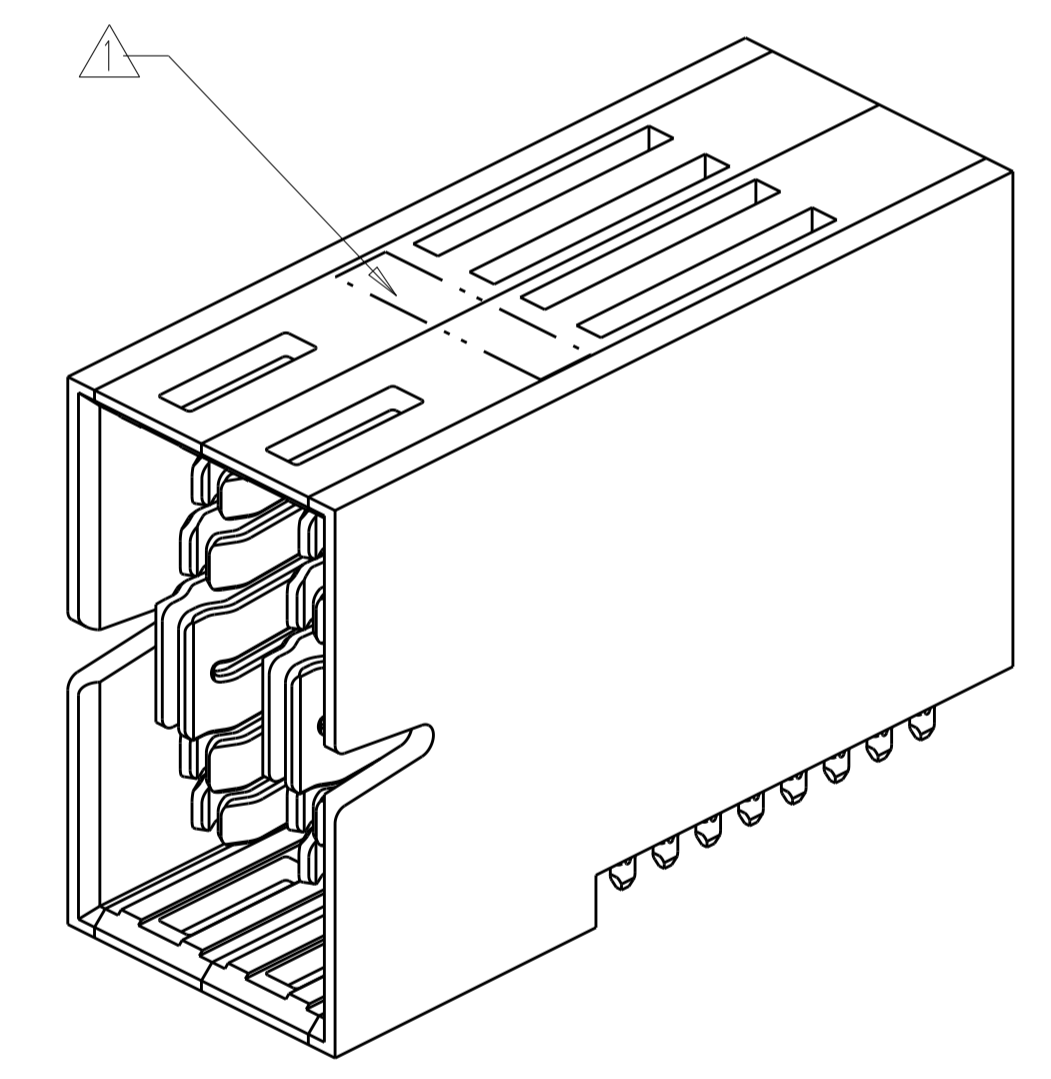
LOC	DIST	REV	DESCRIPTION	DATE	DWN	APVD
-	-	A4	ECR-18-000263	09JAN2018	TZ	SZ



NOTES, UNLESS OTHERWISE SPECIFIED:
 ▲ "TE", PART NUMBER AND DATE CODE TO BE MARKED IN AREA SHOWN.
 ▲ MATERIAL:
 HOUSING - GLASS FILLED HIGH TEMP THERMO PLASTIC, COLOR: BLACK, UL94 V- 0.
 SIGNAL CONTACT - HIGH CONDUCTIVITY COPPER ALLOY.
 POWER CONTACT - HIGH CONDUCTIVITY COPPER ALLOY.
 ▲ CONTACT PLATING:
 MATING AREA - NOBLE METAL OVERALL NICKEL
 TAIL SIDE AREA - MATTE TIN OVERALL NICKEL.
 ▲ MECHANICAL CONNECTOR KEEP OUT ZONE.
 ▲ DATUM AND BASIC DIMENSIONS ESTABLISHED BY CUSTOMER.
 ▲ PCB - ALL HOLE DIAMETERS ARE FINISHED HOLE SIZES.
 ▲ PCB HOLE:
 POWER - 1.15 ± 0.025 MM DRILLED HOLES SIZE PLATING WITH 0.0076 MM MIN. Sn OVER 0.025~0.076 MM Cu PLATING TO ACHIEVE A 1.02 MM DIA. HOLE.



PART NUMBER	POWER	
	P1	P2
2204443-1	PH	PH
2P		



	DIM D	DIM C	DIM B	DIM A	DESCRIPTION	PART NUMBER
PRILIMINARY	2.00	5.00	8.50	21.00	2P+20S	2204443-6
PRILIMINARY	-	-	-	9.50	4LP	2204443-5
PRILIMINARY	-	-	-	14.50	4MP	2204443-4
	-	-	-	22.50	4P	2204443-2
	-	-	-	12.50	2P	2204443-1

DESCRIPTION	CODE
INSERT MOLDING SIGNAL STANDARD	VH1
MIDDLE POWER CONTACT	MH
POWER CONTACT	PH

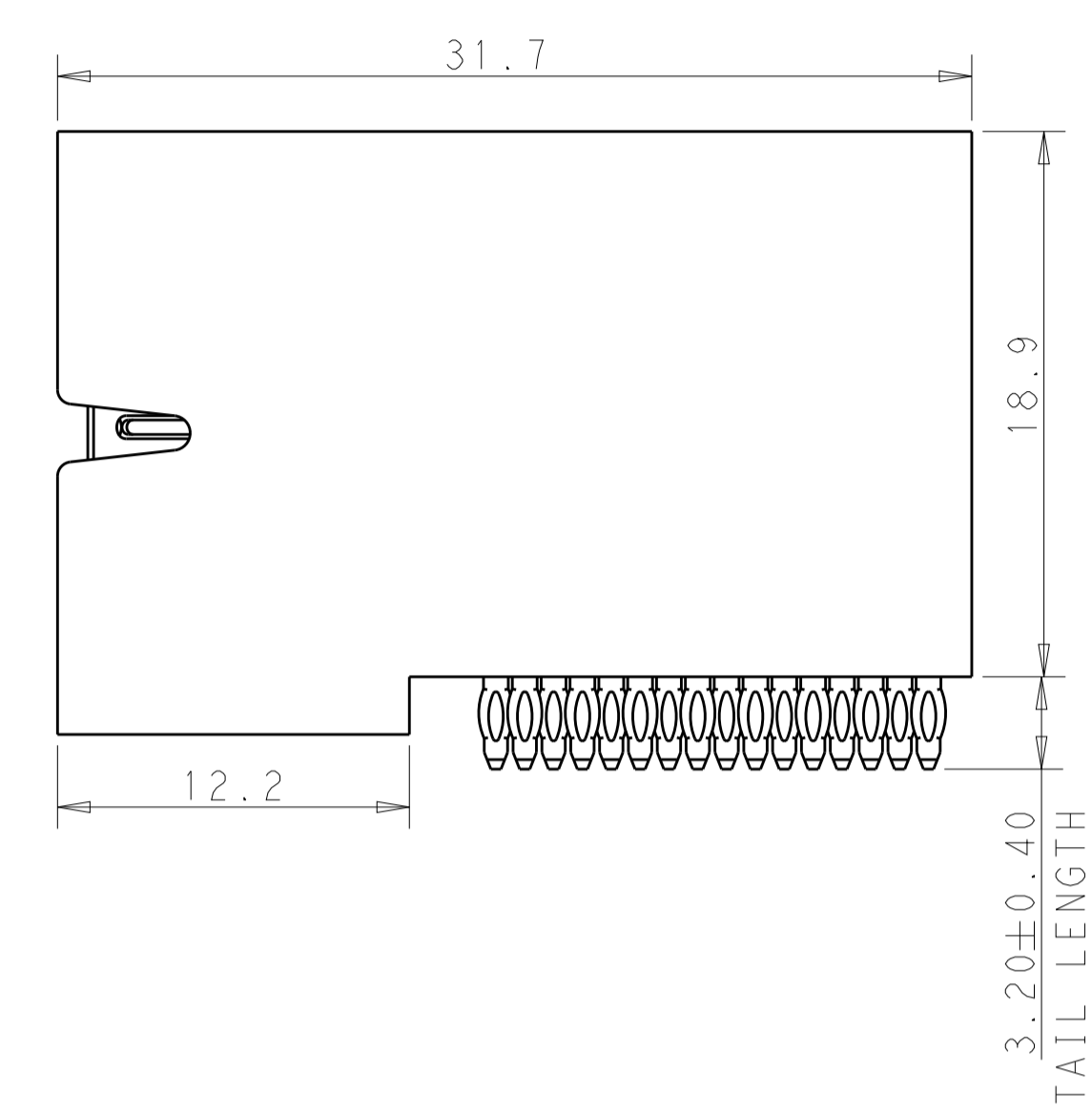
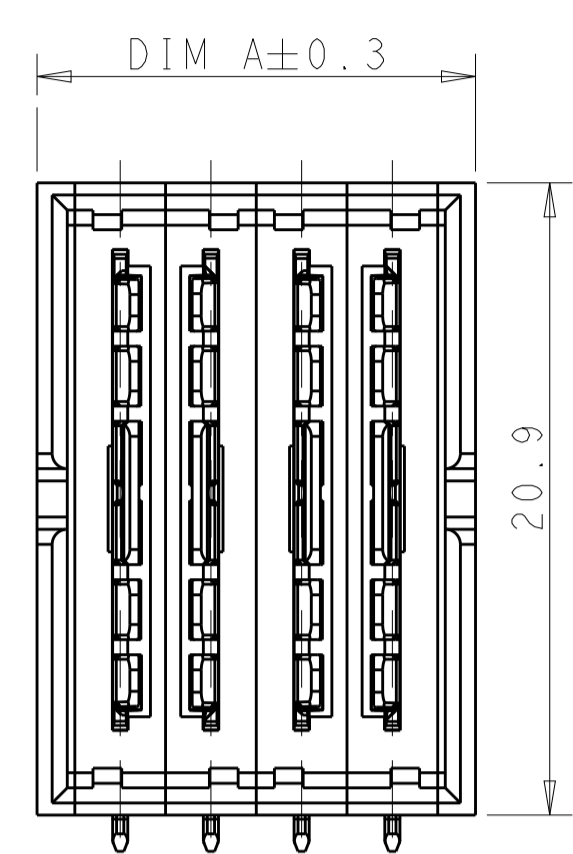
THIS DRAWING IS A CONTROLLED DOCUMENT. DWN: THOMAS_ZHAO 28JUN2012, CHK: SUNY_ZHAO 28JUN2012, APVD: SUNY_ZHAO 28JUN2012

STE TE Connectivity

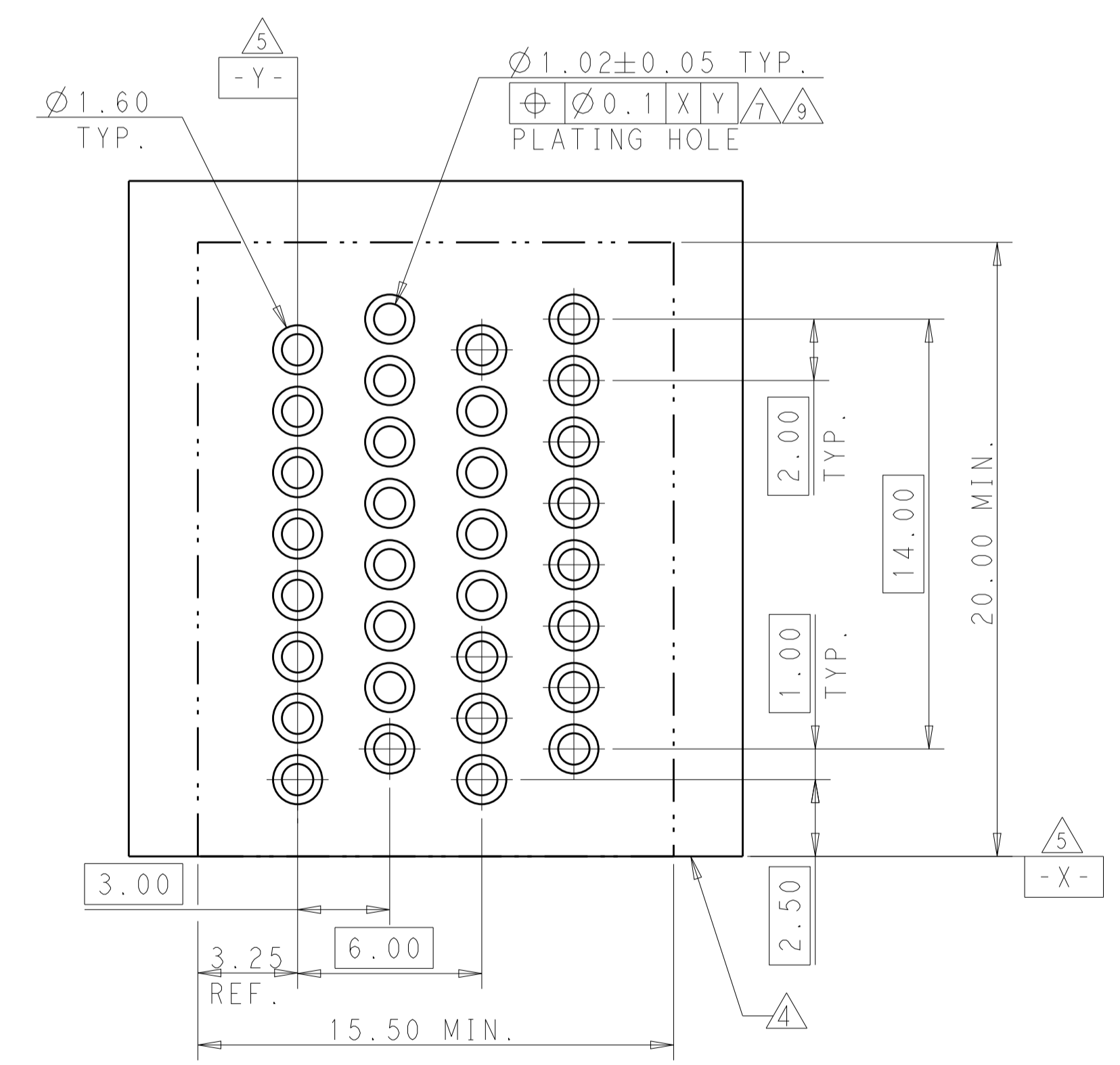
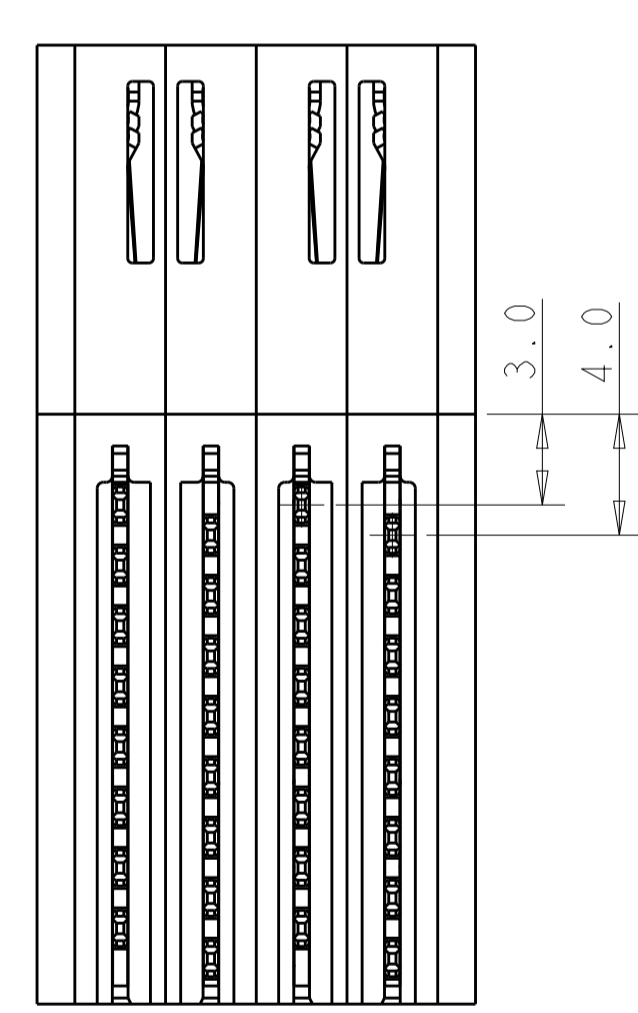
Customer Drawing
RIGHT ANGLE PLUG PRESS FIT
MULTI-BEAM HD W/GUIDELESS

SCALE: 5:1 SHEET 1 OF 5 REV: A4

LOC		DIST		REVISIONS			
P	LTN	DESCRIPTION	DATE	DMN	APVD		
-	-	SEE SHEET 1	-	-	-		

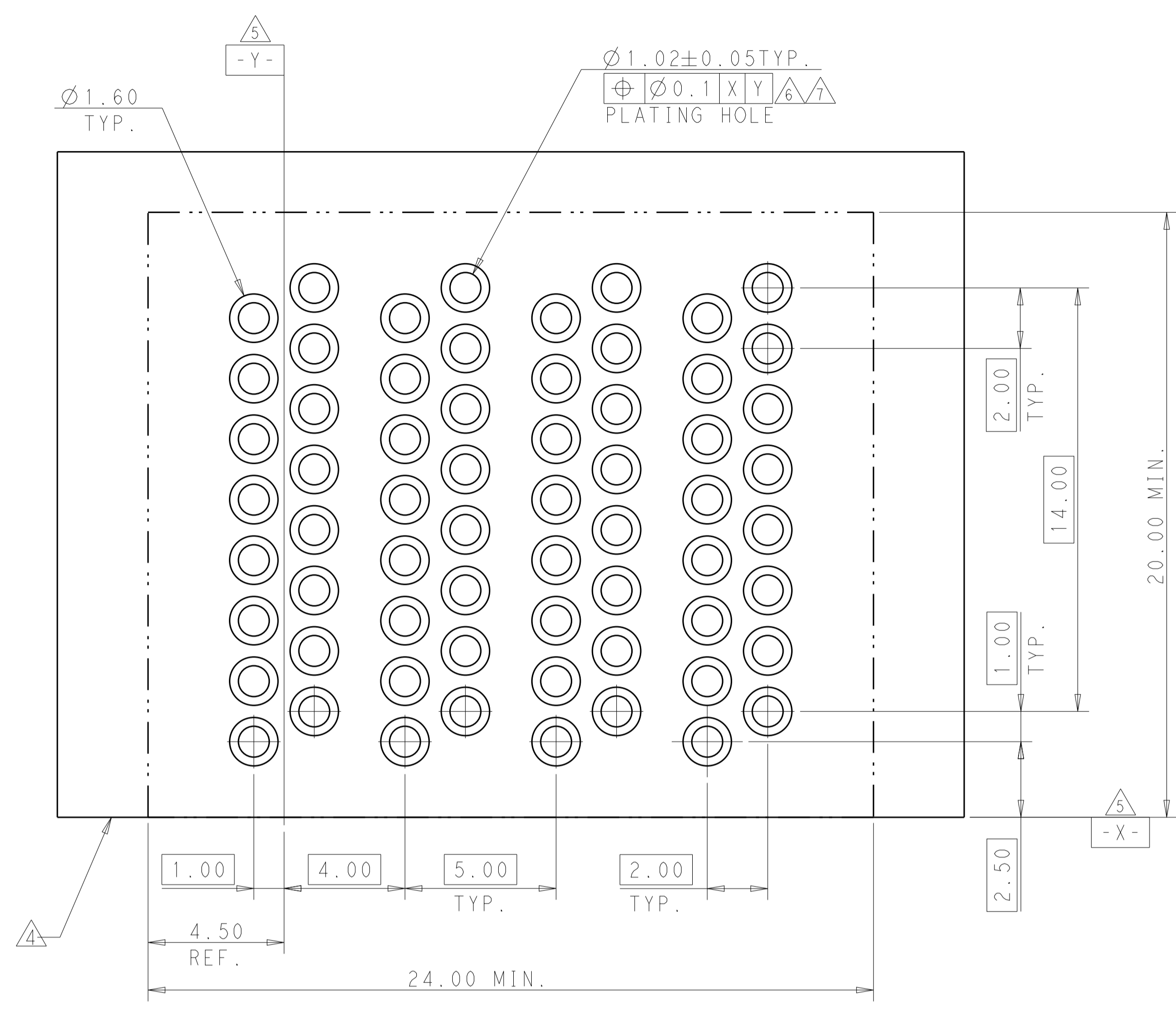


PART NUMBER	POWER			
	M1	M2	M3	M4
2204443-4	MH	MH	MH	MH
4MP				



THIS DRAWING IS A CONTROLLED DOCUMENT.		DMN THOMAS_ZHAO 28JUN2012	TE Connectivity
DIMENSIONS: mm		CHK SUNY_ZHAO 28JUN2012	
TOLERANCES UNLESS OTHERWISE SPECIFIED:		APVD SUNY_ZHAO 28JUN2012	NAME Customer Drawing
0 PLC ±	1 PLC ±0.4	PRODUCT SPEC	RIGHT ANGLE PLUG PRESS FIT
2 PLC ±0.75	3 PLC ±1.15	APPLICATION SPEC	MULTI-BEAM HD W/GUIDELESS
4 PLC ±	ANGLES ±	WEIGHT	RESTRICTED TO
MATERIAL	FINISH	SIZE A1	CAGE CODE DRAWING NO. C=2204443
CUSTOMER DRAWING		SCALE 5:1	SHEET 2 OF 5 REV A4

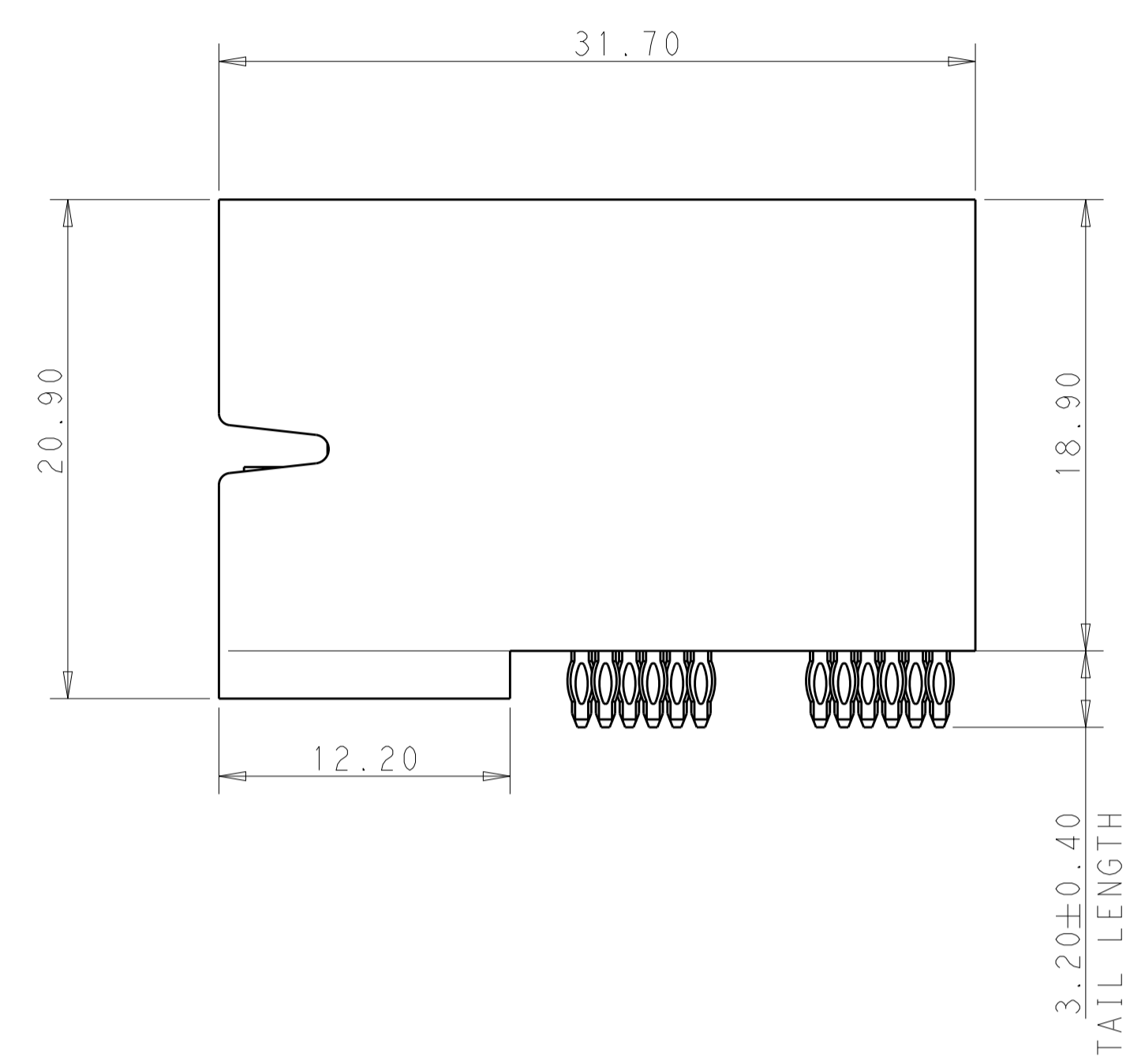
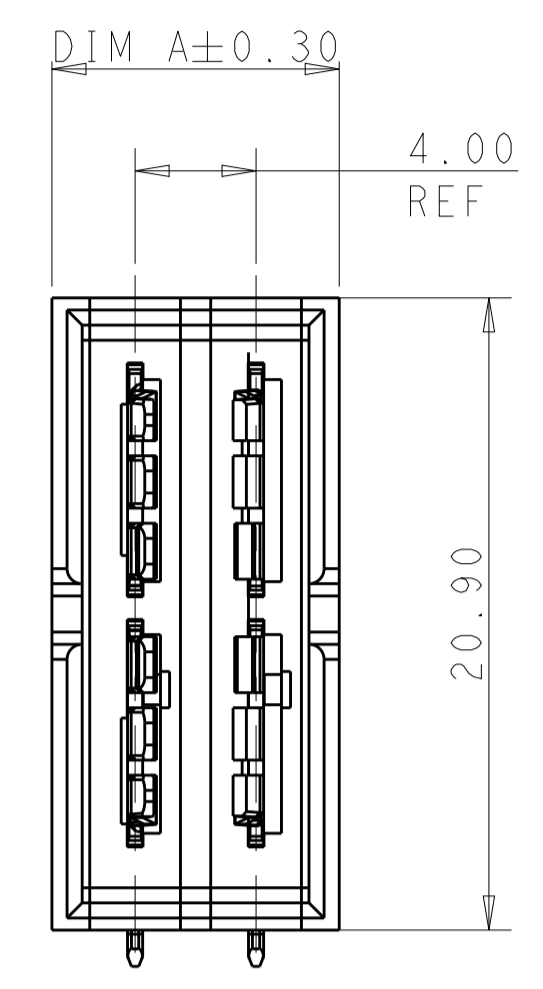
LOC		DIST		REVISIONS			
P	LTN	DESCRIPTION	DATE	DWN	APVD		
-	-	SEE SHEET 1	-	-	-		



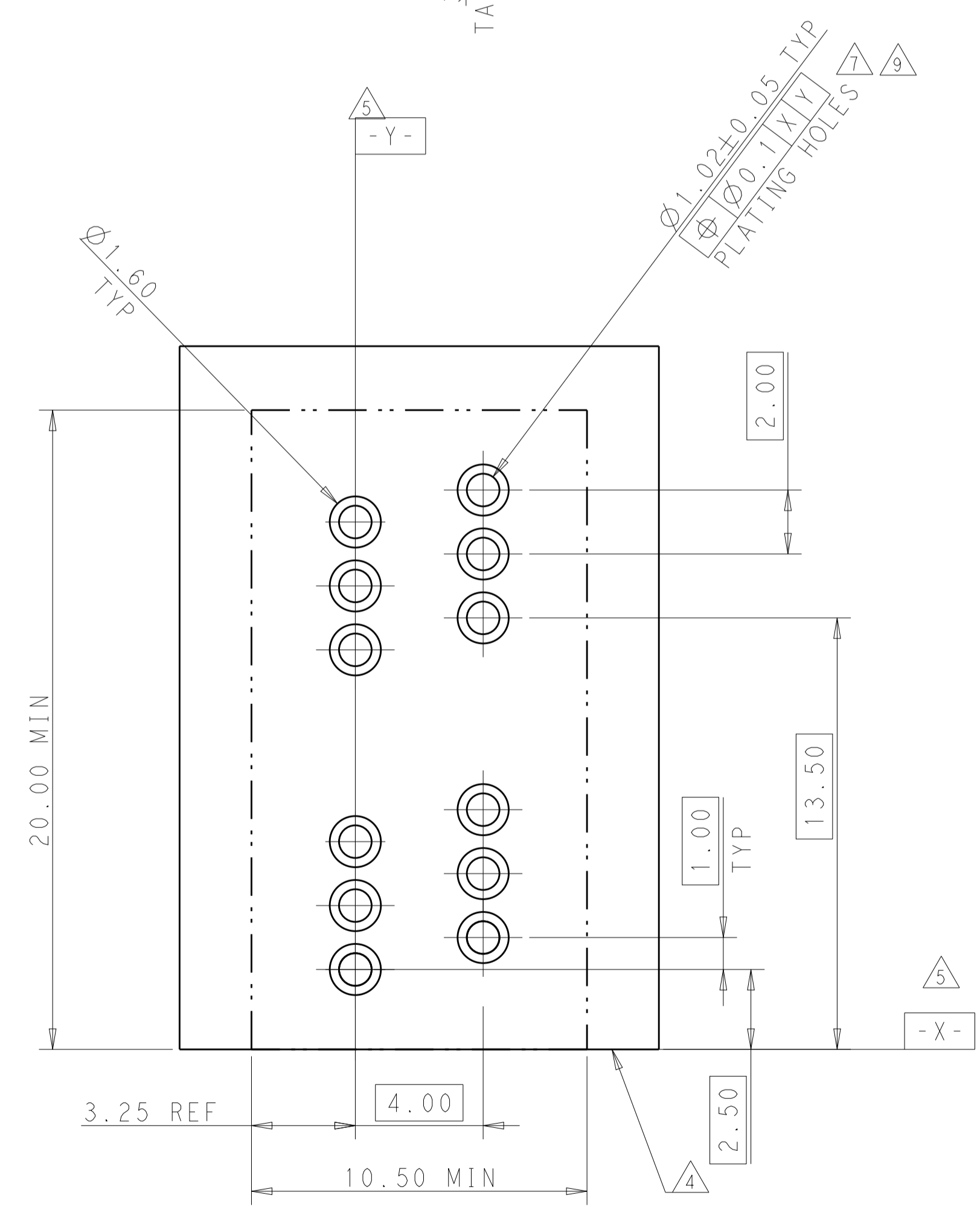
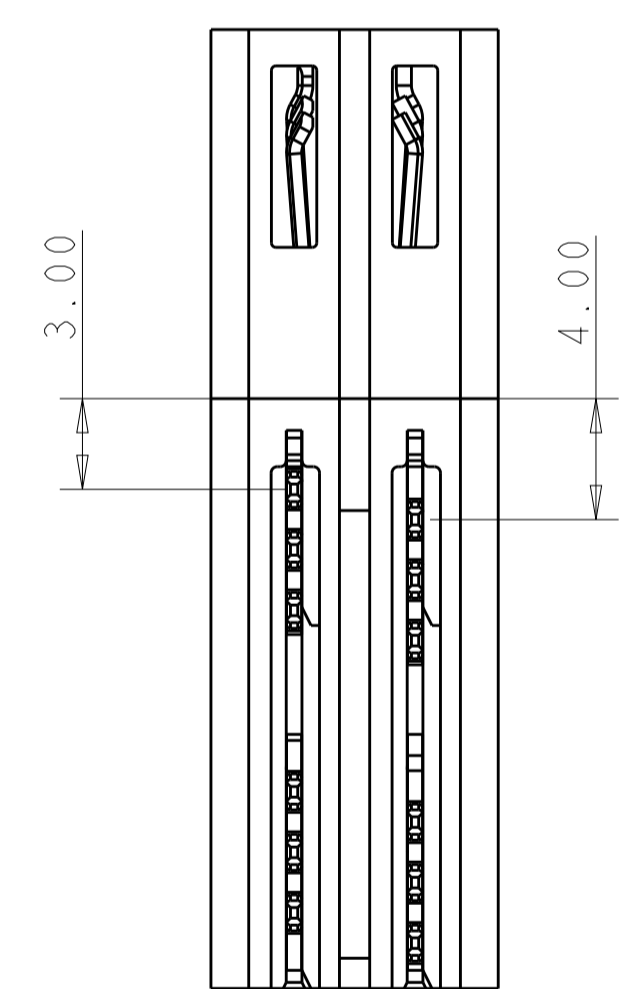
PART NUMBER	POWER			
	P1	P2	P3	P4
2204443-2	PH	PH	PH	PH
4P				

THIS DRAWING IS A CONTROLLED DOCUMENT.		DWN THOMAS_ZHAO 28JUN2012	TE Connectivity
DIMENSIONS: mm		CHK SUNY_ZHAO 28JUN2012	
TOLERANCES UNLESS OTHERWISE SPECIFIED:		APVD SUNY_ZHAO 28JUN2012	NAME Customer Drawing
0 PLC ±	1 PLC ±0.4	PRODUCT SPEC	RIGHT ANGLE PLUG PRESS FIT
2 PLC ±0.75	3 PLC ±1.15	APPLICATION SPEC	MULTI-BEAM HD W/GUIDELESS
4 PLC ±	ANGLES ±	WEIGHT	SIZE A1
MATERIAL	FINISH	CAGE CODE DRAWING NO	RESTRICTED TO
		©=2204443	
CUSTOMER DRAWING		SCALE 5:1	SHEET 3 OF 5 REV A4

LOC		DIST		REVISIONS			
P	LTN	DESCRIPTION	DATE	DMN	APVD		
-	-	SEE SHEET 1	-	-	-		



PART NUMBER	POWER	
	LP1	LP2
2204443-5	LP1	LP2
	LH1	LH2
4LP		

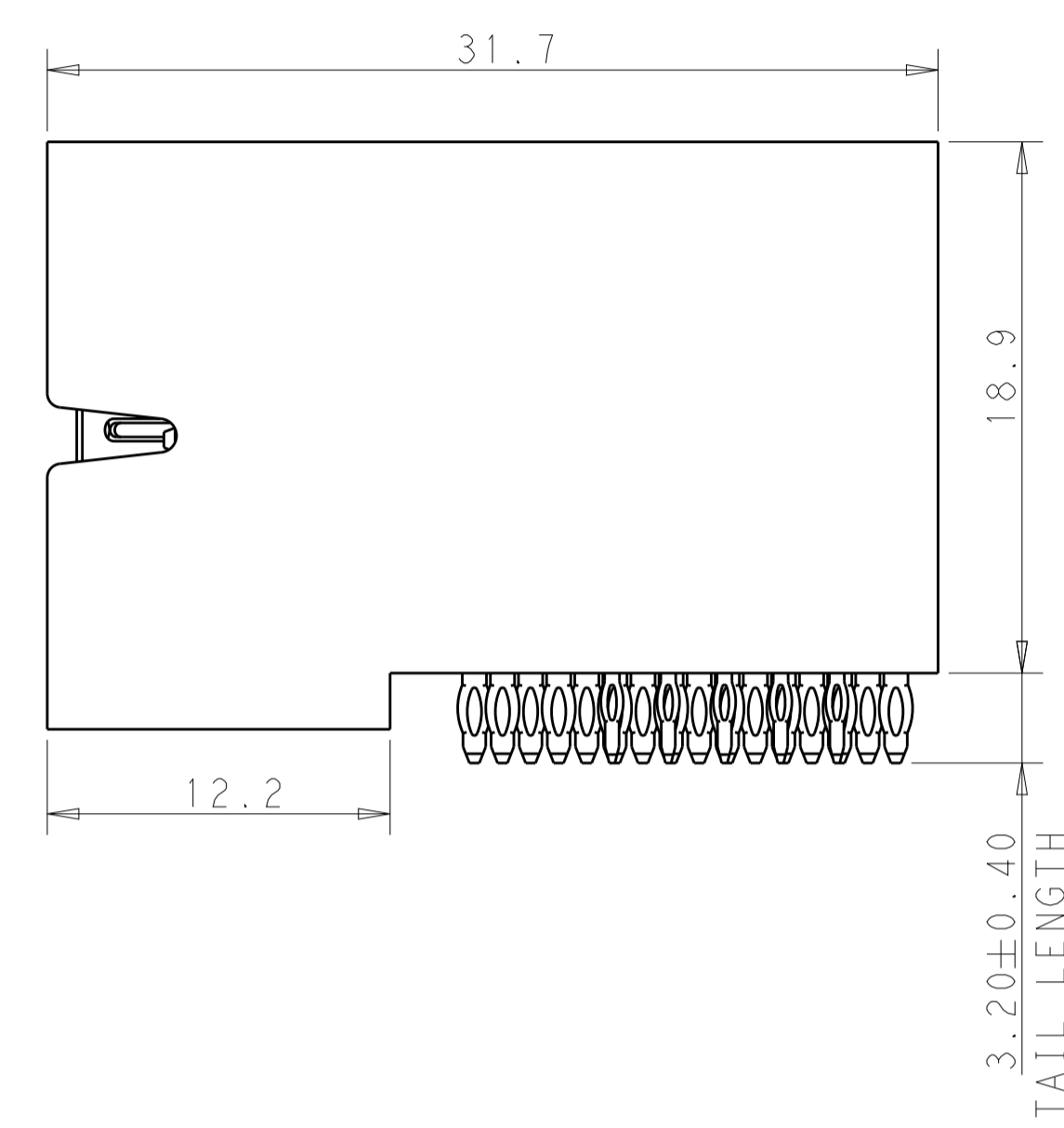
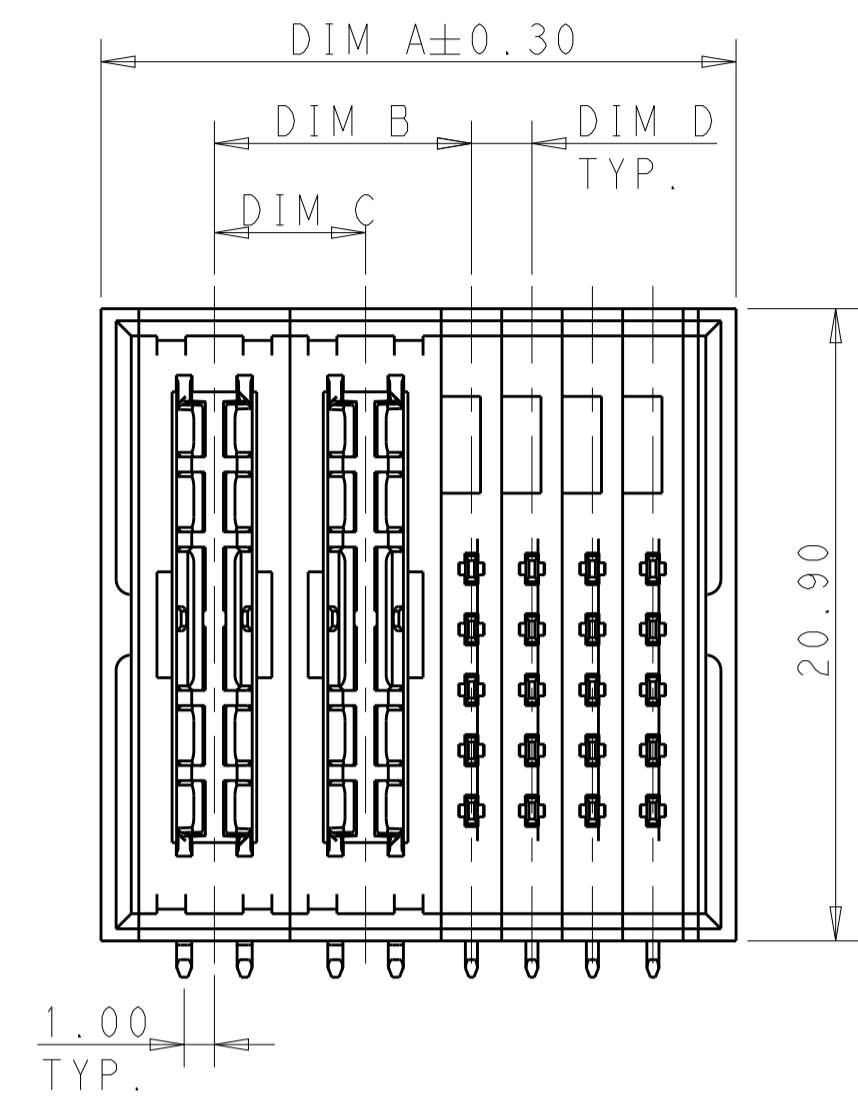


LP BOTTOM CONTACT PRESS-FIT	LH
LP TOP CONTACT PRESS-FIT	LP
DESCRIPTION	CODE

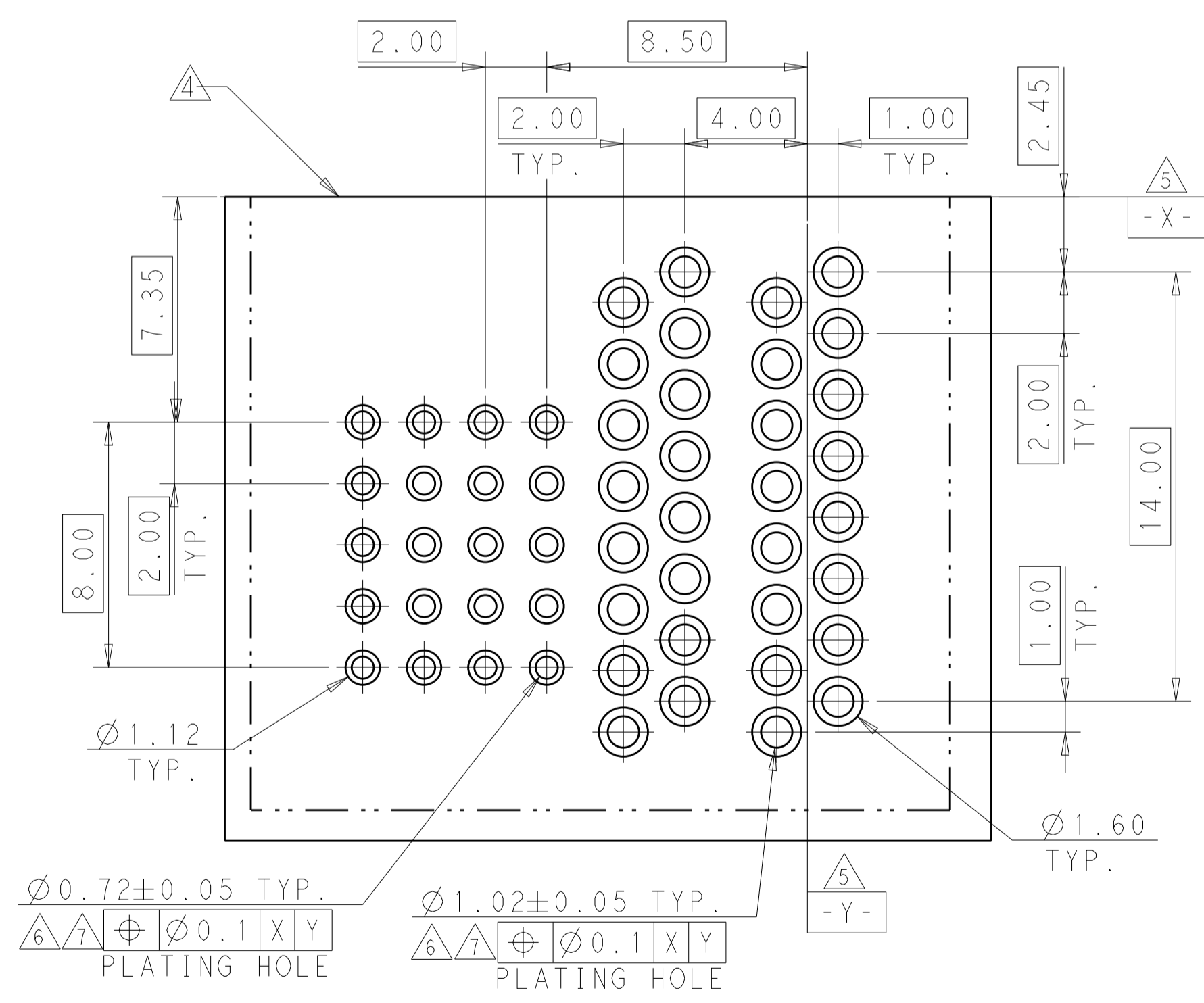
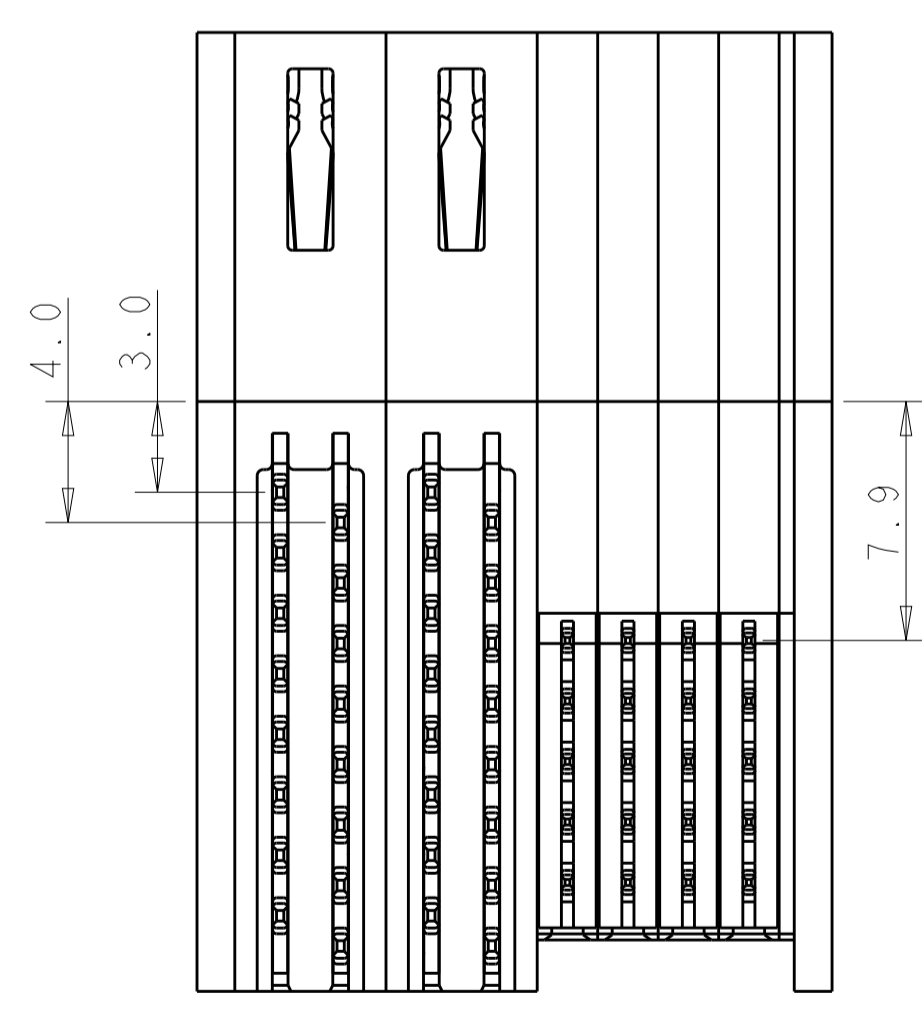
THIS DRAWING IS A CONTROLLED DOCUMENT.

DIMENSIONS:	TOLERANCES UNLESS OTHERWISE SPECIFIED:	DMN THOMAS ZHAO 28JUN2012	CHK SUNY ZHAO 28JUN2012	APVD SUNY ZHAO 28JUN2012	NAME
mm	0 PLC ±.4 1 PLC ±0.4 2 PLC ±0.75 3 PLC ±1.0 4 PLC ±.5	SUNY ZHAO 28JUN2012			Customer Drawing
		PRODUCT SPEC			RIGHT ANGLE PLUG PRESS FIT
MATERIAL		APPLICATION SPEC			MULTI-BEAM HD W/GUIDELESS
FINISH		WEIGHT			RESTRICTED TO
		CUSTOMER DRAWING			SCALE 5:1 SHEET 4 OF 5 REV A4

LOC	DIST	REV	DATE	BY	APPV
-	-	1	SEE SHEET 1	-	-



PART NUMBER	POWER		SIGNAL				ROWS
	P1	P2	1	2	3	4	
2204443-6	PH	PH	VH	VH	VH	VH	E
			VH	VH	VH	VH	D
			VH	VH	VH	VH	C
			VH	VH	VH	VH	B
			VH	VH	VH	VH	A
2P+20S							



THIS PAGE SHOW THE PART NUMBER: 2204443-6

THIS DRAWING IS A CONTROLLED DOCUMENT.		OWN THOMAS_ZHAO 28JUN2012	TE Connectivity
DIMENSIONS: mm		CHK SUNY_ZHAO 28JUN2012	
TOLERANCES UNLESS OTHERWISE SPECIFIED:		APVD SUNY_ZHAO 28JUN2012	NAME Customer Drawing
0 PLC ±0.4		PRODUCT SPEC	RIGHT ANGLE PLUG PRESS FIT
1 PLC ±0.4		APPLICATION SPEC	MULTI-BEAM HD W/GUIDELESS
2 PLC ±0.75		SIZE A1	CAGE CODE DRAWING NO
3 PLC ±1.15		SCALE 5:1	SHEET 5 OF 5
4 PLC ±		WEIGHT	REV A4
ANGLES ±		CUSTOMER DRAWING	

X-ON Electronics

Largest Supplier of Electrical and Electronic Components

Click to view similar products for te connectivity manufacturer:

Other Similar products are found below :

[570416-000](#) [CLTEQ-M81CE-SSRELAY-4-20V](#) [D38999/24FJ4AN](#) [358838-000](#) [4-1195131-0](#) [650069-000](#) [SMD100-2](#) [CB-1022B-78](#)
[RM707012](#) [RP410012](#) [MMS42](#) [1-640426-8](#) [2EDL4CM](#) [DTS20W19-11PD-3028-LC](#) [RM202615](#) [NC6-P104-06](#) [MSPS103B](#) [DTS26F21-41AE](#) [DTS26F21-41PE-LC](#) [DTS26F21-11SE-3028-LC](#) [1932144-1](#) [293545-4](#) [LVR125S](#) [MS27466T25F4PB](#) [CKB-38-78010](#)
[1206SFF150F/63-2](#) [D38999/20JB35HA](#) [D38999/24WJ20PA](#) [1754138-1](#) [TE1500A2R2J](#) [DTS24F25-29PC-3028-LC](#) [D38999/24WG11HA](#)
[D38999/24WG11HN](#) [MS27467T21F11H](#) [DJT16E21-11HA](#) [1206SFH150F/24-2](#) [DTS24F19-11SC-3028-LC](#) [DTS24F21-41HN-LC](#)
[DTS24F21-41AN](#) [DTS24F21-41PN-LC](#) [MS27467T21F35J](#) [MS27467T21F11J](#) [MS27467T21F16H-LC](#) [MS27467T21F35H](#)
[MS27467T21F41H-LC](#) [DJT16E21-11PA-LC](#) [DJT16E21-11HA-LC](#) [DJT16E21-11AA](#) [MS27467T21B11JA](#) [DJT16E21-11JA](#)