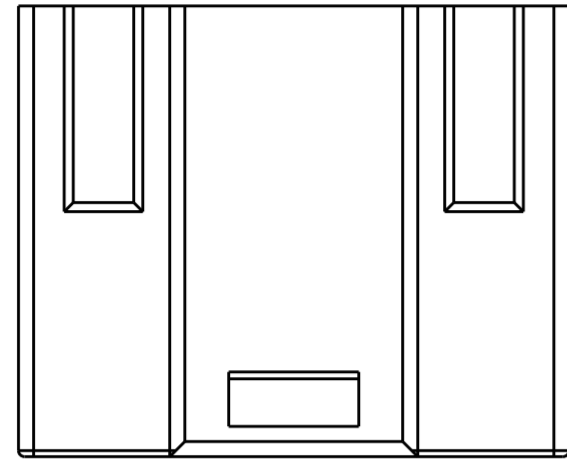
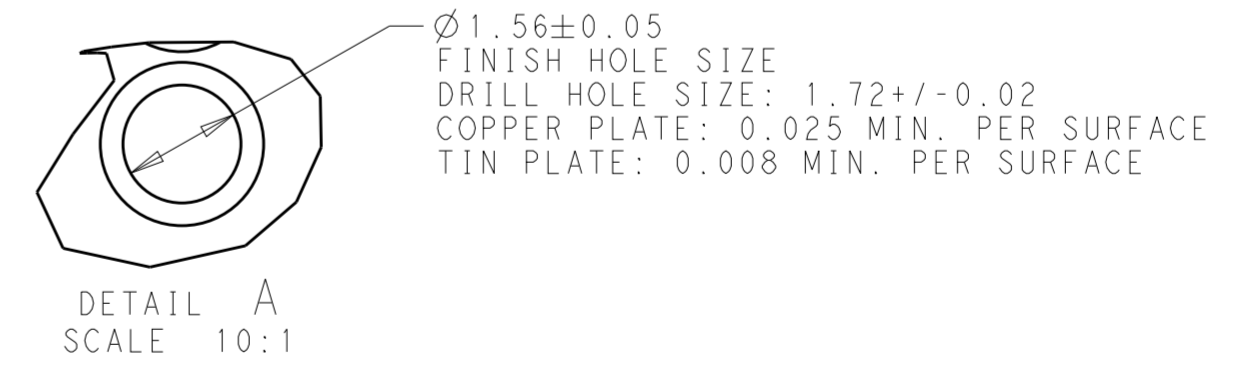
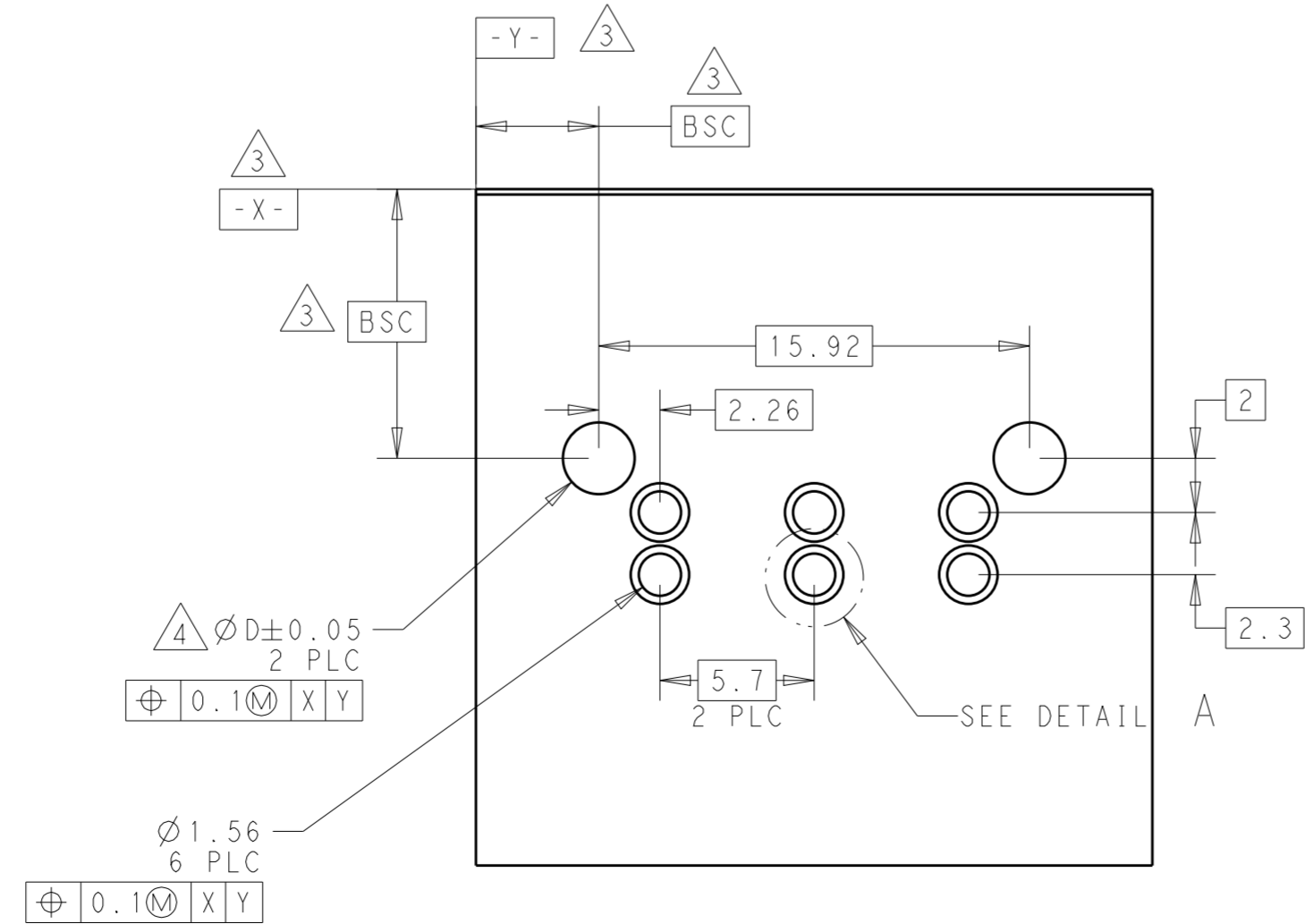
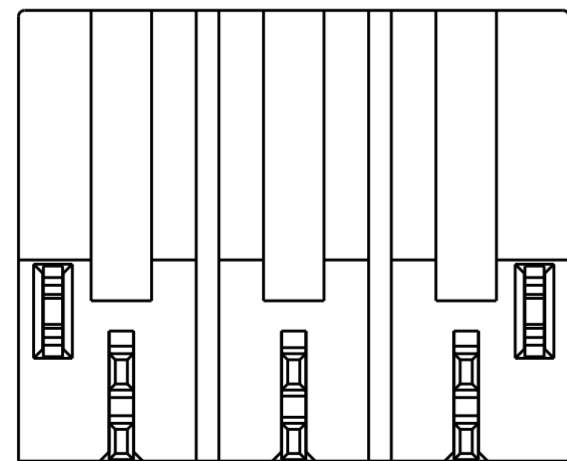
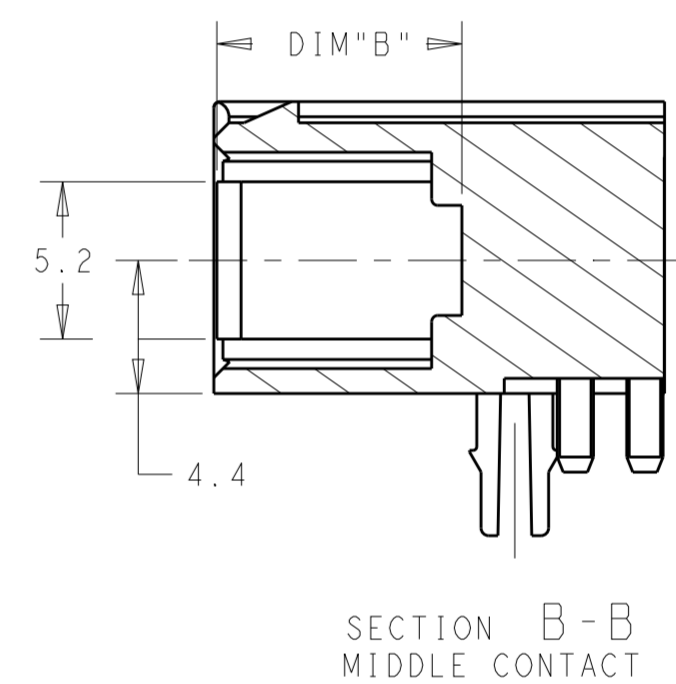
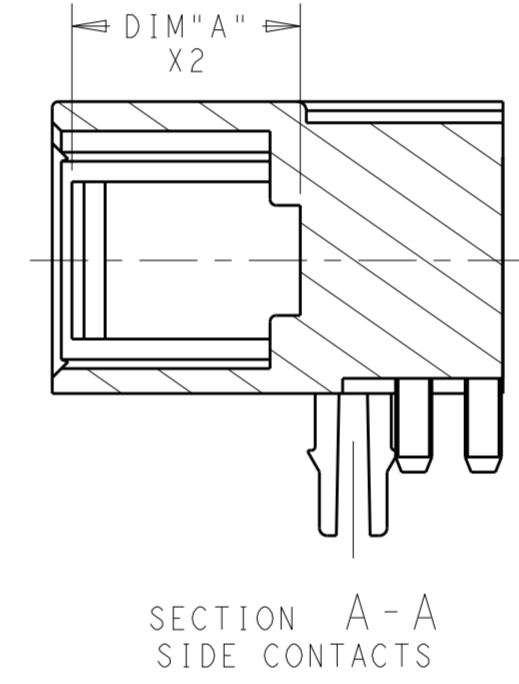
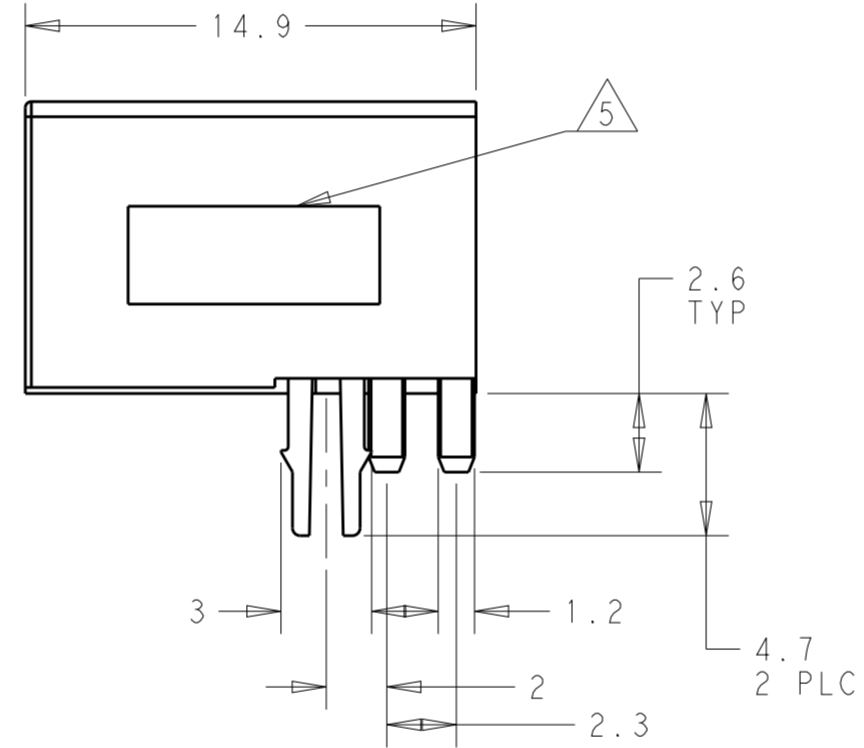
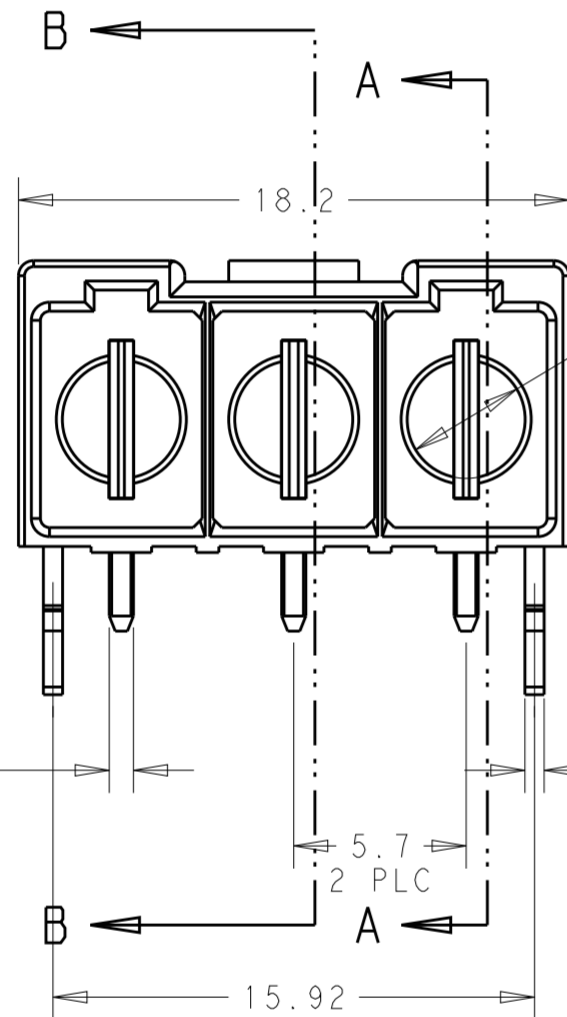


THIS DRAWING IS UNPUBLISHED. RELEASED FOR PUBLICATION 20
 © COPYRIGHT 20 BY - ALL RIGHTS RESERVED.

| REVISIONS | | | | |
|-----------|-----|-----------------------|-----------|-------|
| P | LTR | DESCRIPTION | DATE | APVD |
| A | | REV PER ECR-16-006138 | 28APR2016 | OL SZ |
| B | | REV PER ECO-16-014059 | 09JAN2017 | WY SZ |
| B1 | | REV PER ECO-18-000140 | 04JAN2018 | OL SZ |
| B2 | | REV PER ECO-19-000285 | 09JAN2019 | OL SZ |



- 1 MATERIAL:
HOUSING: LCP BLACK, UL94V-0; CONTACT AND RETENTION CLIP: COPPER ALLOY
- 2 PLATING:
POWER CONTACT: 3UM SILVER OVER NICKEL PLATED;
RETENTION CLIP: TIN PLATED
- 3 DATUM AND BASIC DIMENSIONS ESTABLISHED BY CUSTOMER
- 4 UNPLATED THROUGH HOLE; THE RECOMMENDED HOLE SIZE IS 2.75MM OR 2.65MM.
- 5 "TE", PART NUMBER AND DATECODE TO BE MARKED IN AREA SHOWN



4 ØD±0.05
2 PLC
⊕ 0.1 M X Y

Ø 1.56
6 PLC
⊕ 0.1 M X Y

| | | | |
|---------|---------|-------------|-------------|
| 6.6 | 6.6 | NO | 2204529-2 |
| 8.1 | 7.55 | YES | 2204529-1 |
| DIM "B" | DIM "A" | PROBE PROOF | PART NUMBER |

THIS DRAWING IS A CONTROLLED DOCUMENT.

| | | | |
|--------------|--|-----------------------------|---|
| DIMENSIONS: | TOLERANCES UNLESS OTHERWISE SPECIFIED: | DWN ORANDO LI 03APR2015 | TE Connectivity |
| mm | 0 PLC ±0.25 | CHK ZHAO SUNY 03APR2015 | |
| | 1 PLC ±0.1 | APVD SUNY ZHAO 03APR2015 | |
| | 2 PLC ±0.05 | PRODUCT SPEC 108-128027 | |
| | 3 PLC ± | APPLICATION SPEC 114-128029 | NAME ELCON Mini, 3-position header right-angle, solder type |
| | 4 PLC ± | WEIGHT - | SIZE A2 |
| | ANGLES ± | CUSTOMER DRAWING | CAGE CODE - |
| | FINISH - | SCALE 4:1 | DRAWING NO. C-2204529 |
| MATERIAL TBD | | SHEET 1 OF 1 | RESTRICTED TO - |
| | | REV B2 | |

X-ON Electronics

Largest Supplier of Electrical and Electronic Components

Click to view similar products for [Heavy Duty Power Connectors](#) category:

Click to view products by [TE Connectivity](#) manufacturer:

Other Similar products are found below :

[647757-1](#) [6643411-1](#) [6646058-2](#) [6646137-1](#) [6646138-1](#) [6646479-1](#) [6646608-1](#) [6646786-1](#) [6646940-1](#) [6651091-1](#) [6651525-1](#) [6651529-1](#)
[6651788-1](#) [696475-1](#) [702-32-01109](#) [703-25-02205](#) [73000005059](#) [73000005642](#) [73080255059](#) [73080965046](#) [765-15-0080A](#) [765-16-0080B](#)
[765-18-0080D](#) [829992-1](#) [902-77-02113](#) [PS00/A0620/6300](#) [PS25/A0420/63](#) [129-1J](#) [1409400](#) [AN0024023](#) [E6374G1](#) [e6389g2](#) [157-43GW8](#)
[MS3117-14AC](#) [1643543-1](#) [1650540-1](#) [1651811-2](#) [1766260-1](#) [1766282-1](#) [1766966-1](#) [1791340000](#) [NLDFT-3-BL-L-S120-M40A](#) [NLDFT-N-](#)
[W-L-C240-M40B](#) [NLS-2-R-C240-M40B](#) [NLS-N-W-C240-M40B](#) [NPS-3-BL-T6](#) [1986615-1](#) [2-1589900-8](#) [2199314-1](#) [KA8102](#)