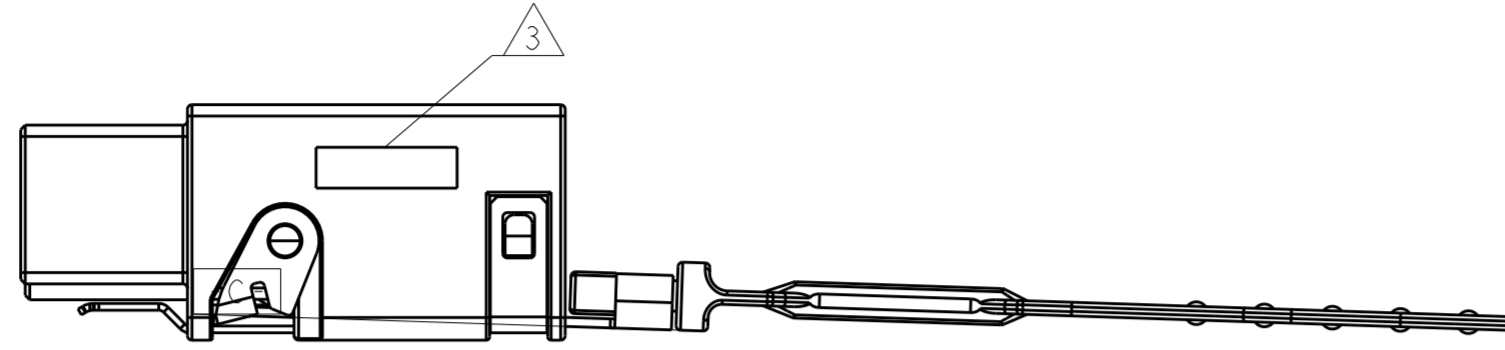


THIS DRAWING IS UNPUBLISHED. RELEASED FOR PUBLICATION 20
 © COPYRIGHT 20 BY - ALL RIGHTS RESERVED.

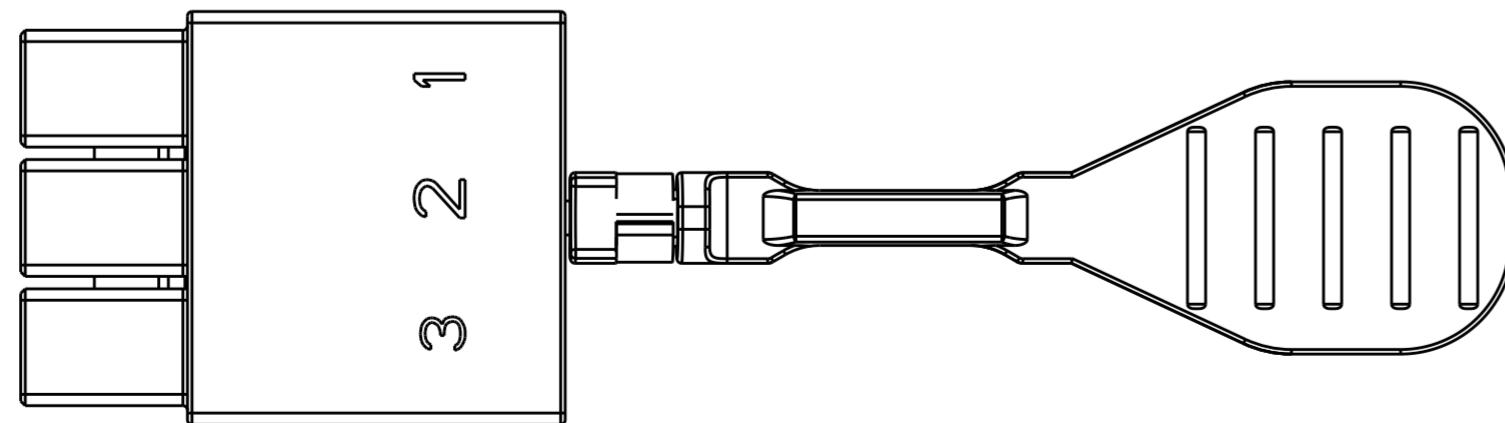
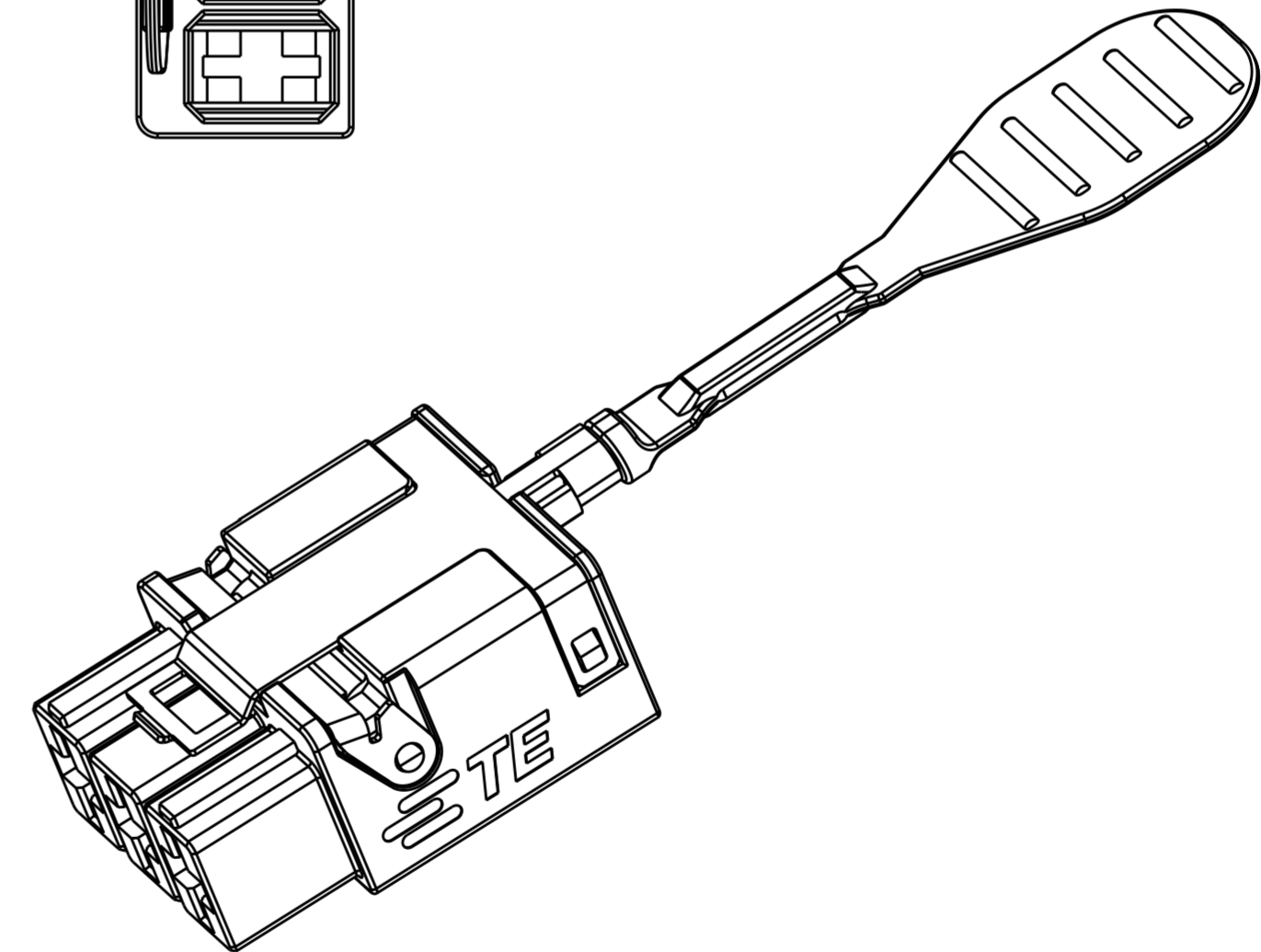
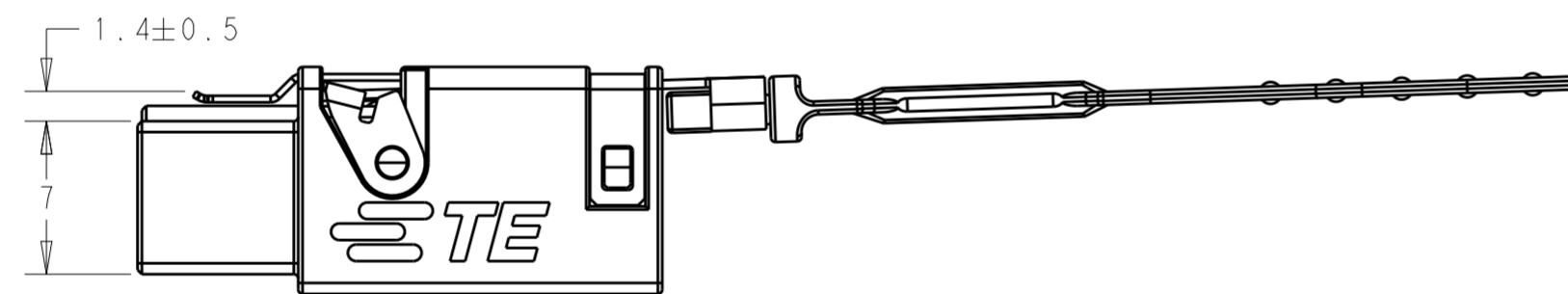
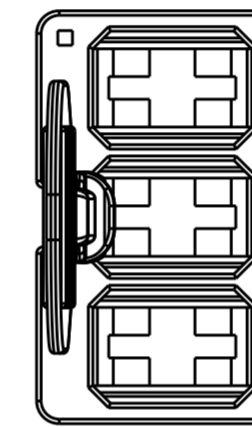
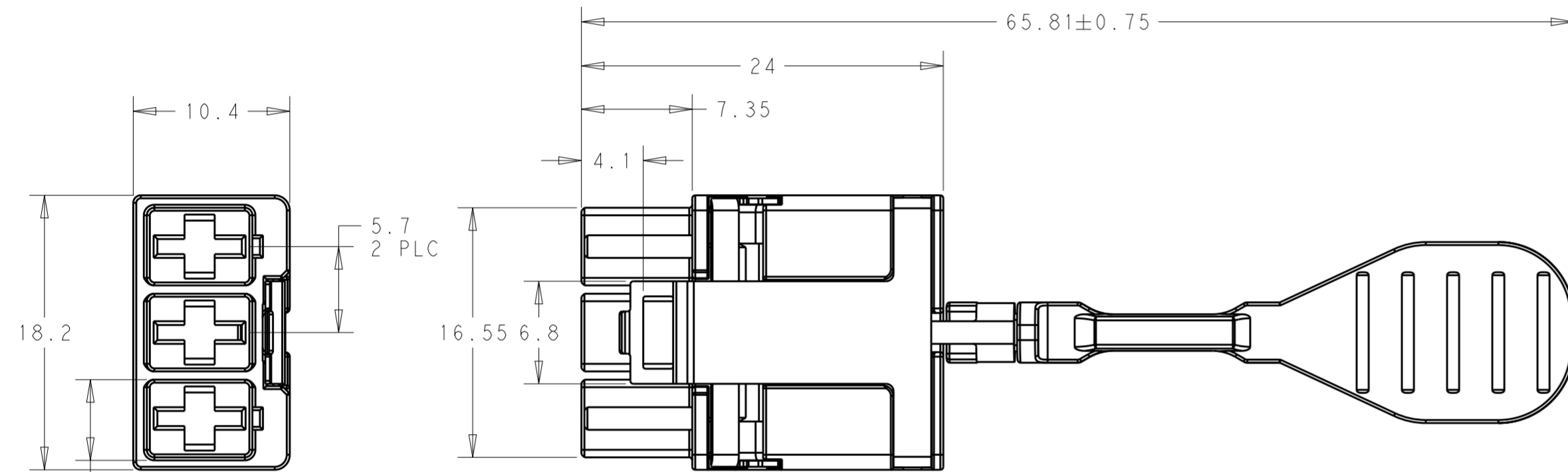
REVISIONS				
P	LTR	DESCRIPTION	DATE	APVD
B3		DESIGN CHANGE FOR -3	05MAR2020	OL SZ



① USED FOR STANDARD POWER TIMER CONTACTS, FOR CONTACTS PART NUMBER, PLEASE SEE DRAWING 1355048

② ALLOWED MAX. WIRE SIZE 6MM2. THE INSULATION CRIMP FOR 6MM2 WIRE SHOULD USE OVAL CRIMPING AND SUGGESTED CRIMP WIDTH IS 4.7MM AND HEIGHT IS 6.8MM

③ CABLE HOUSING PART NUMBER AND DATECODE

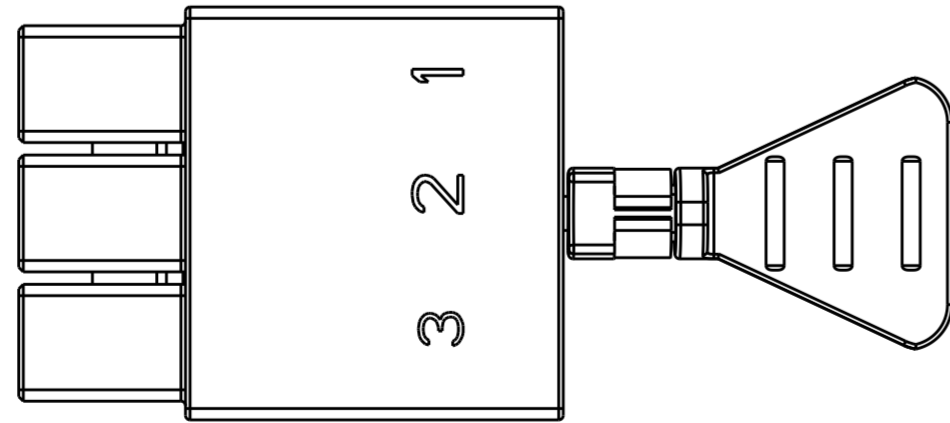
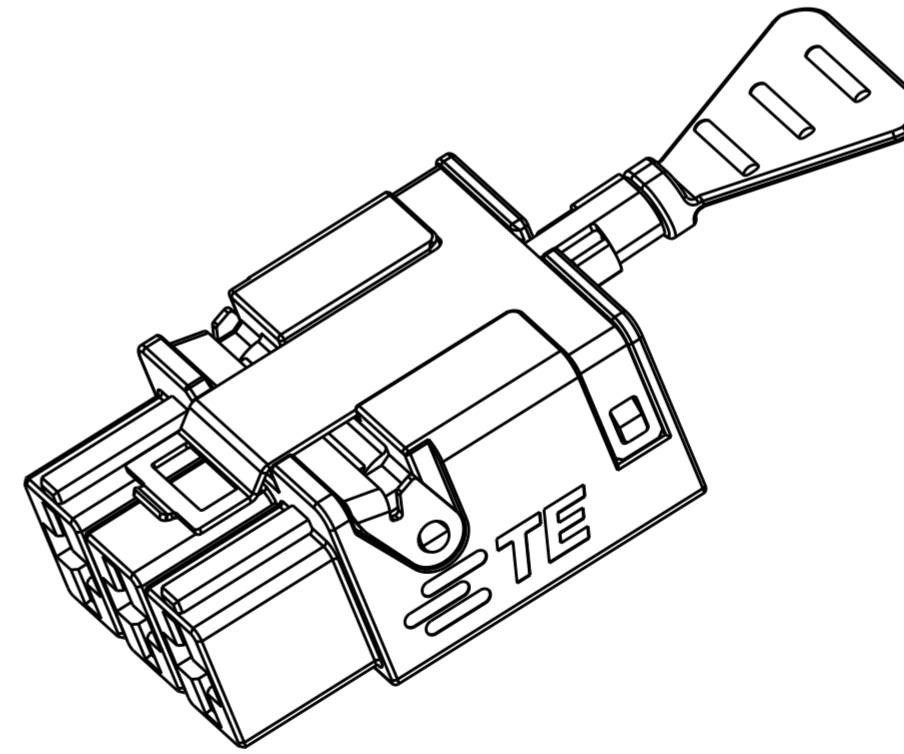
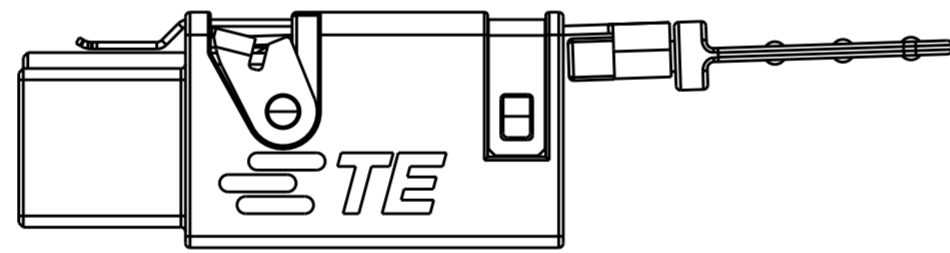
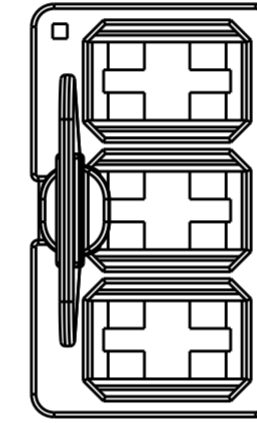
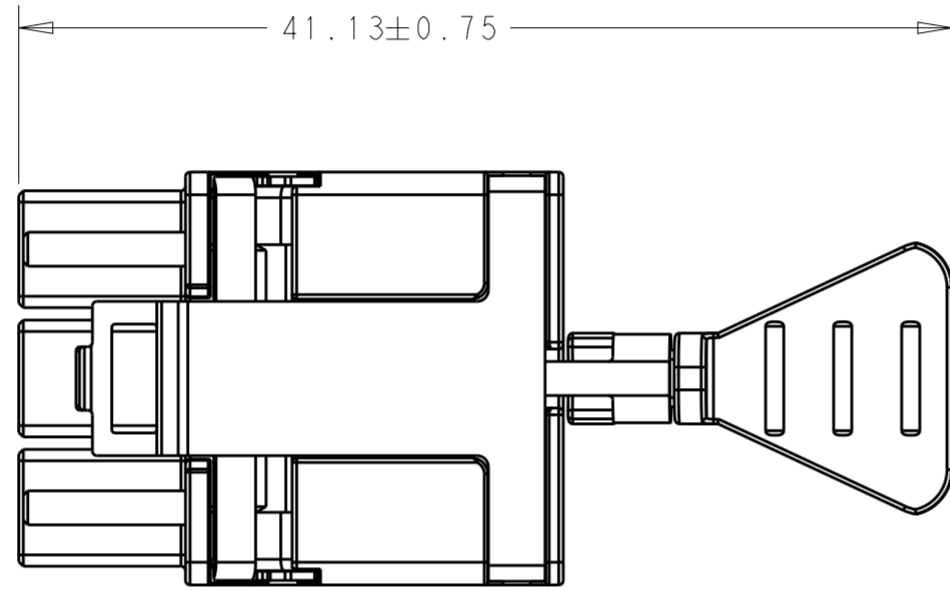
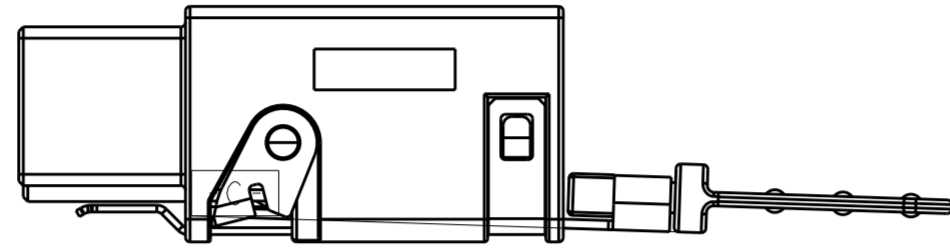
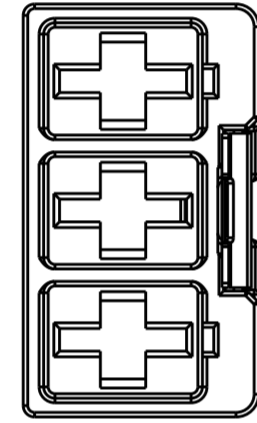


2204534-1 PART NUMBER

THIS DRAWING IS A CONTROLLED DOCUMENT.		DWN ORANDO LI 03APR2015	STE TE Connectivity	
		CHK ZHAO SUNY 03APR2015		
		APVD SUNY ZHAO 03APR2015	NAME ELCON Mini, 3-position cable conn. pull-tab, 6mm2 max. wire	
DIMENSIONS: mm		PRODUCT SPEC 108-128028	SIZE A2	CAGE CODE -
TOLERANCES UNLESS OTHERWISE SPECIFIED:		APPLICATION SPEC 114-128029	DRAWING NO. C-2204534	RESTRICTED TO -
MATERIAL TBD		WEIGHT -	SCALE 1:1	SHEET 1 OF 4
		CUSTOMER DRAWING	REV B3	

THIS DRAWING IS UNPUBLISHED. RELEASED FOR PUBLICATION 20
 © COPYRIGHT 20 BY - ALL RIGHTS RESERVED.

REVISIONS				
P	LTR	DESCRIPTION	DATE	APVD
-		SEE SHEET 1	-	-



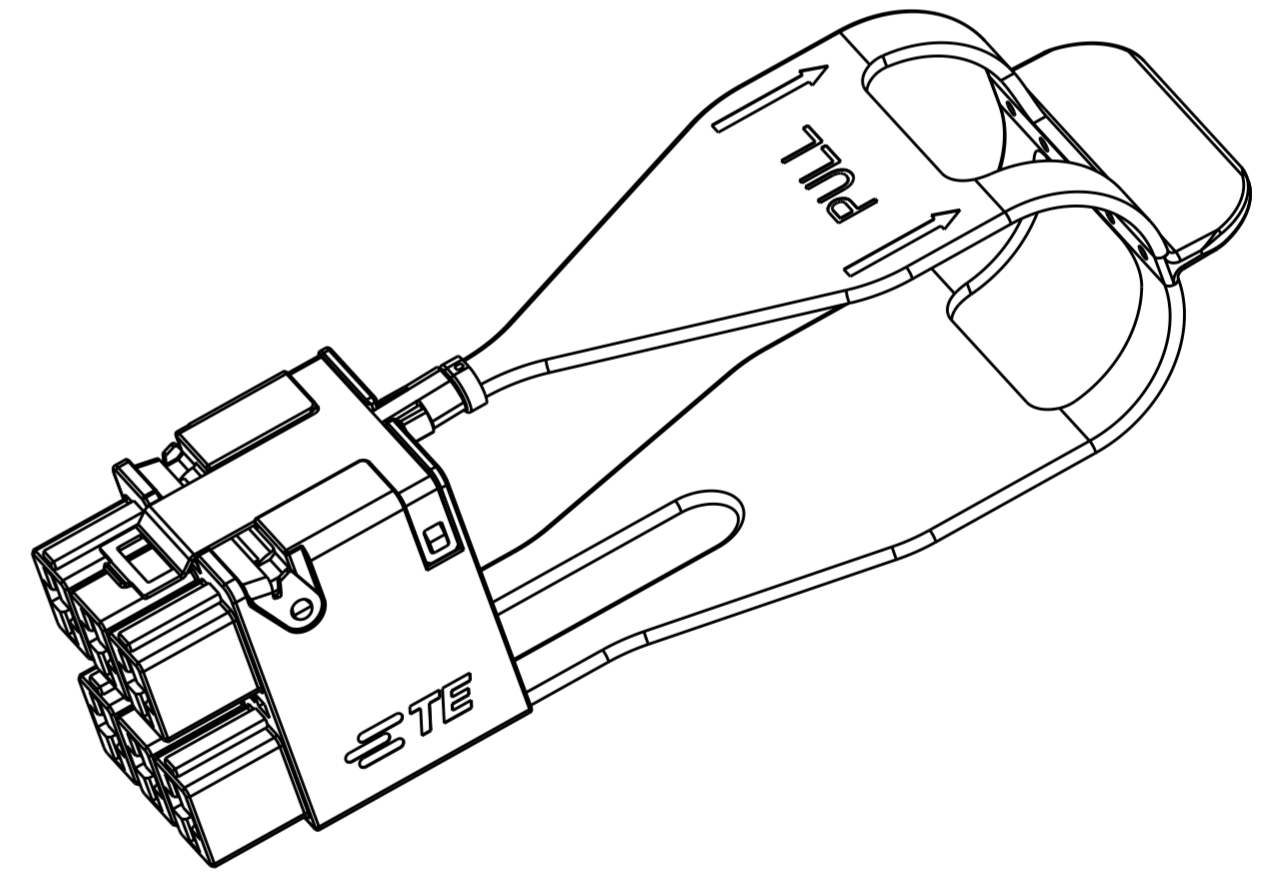
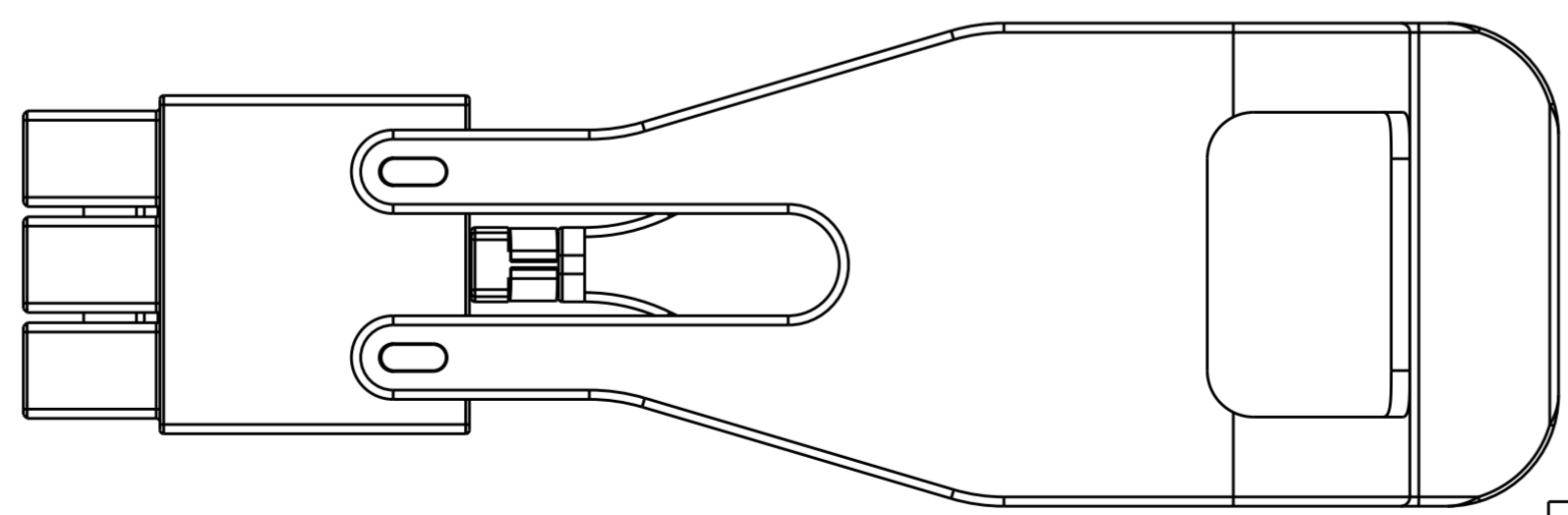
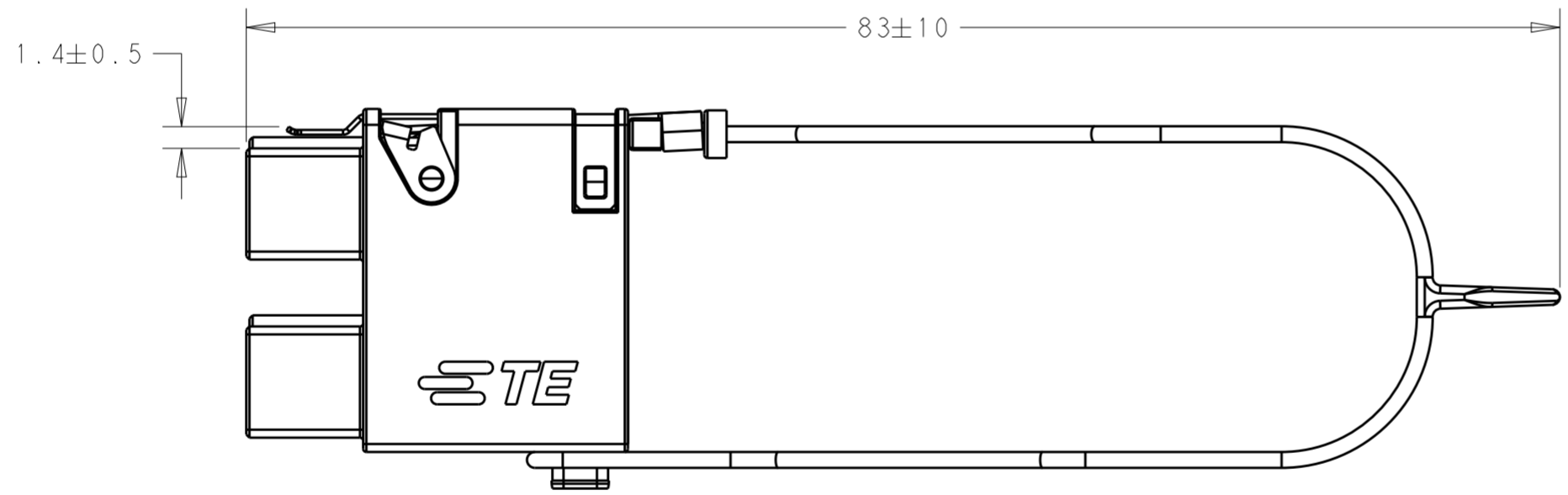
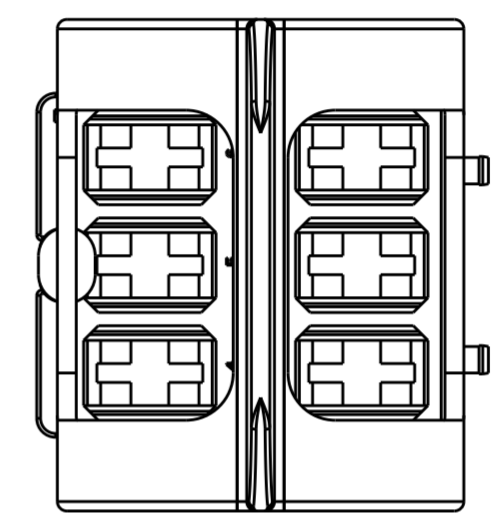
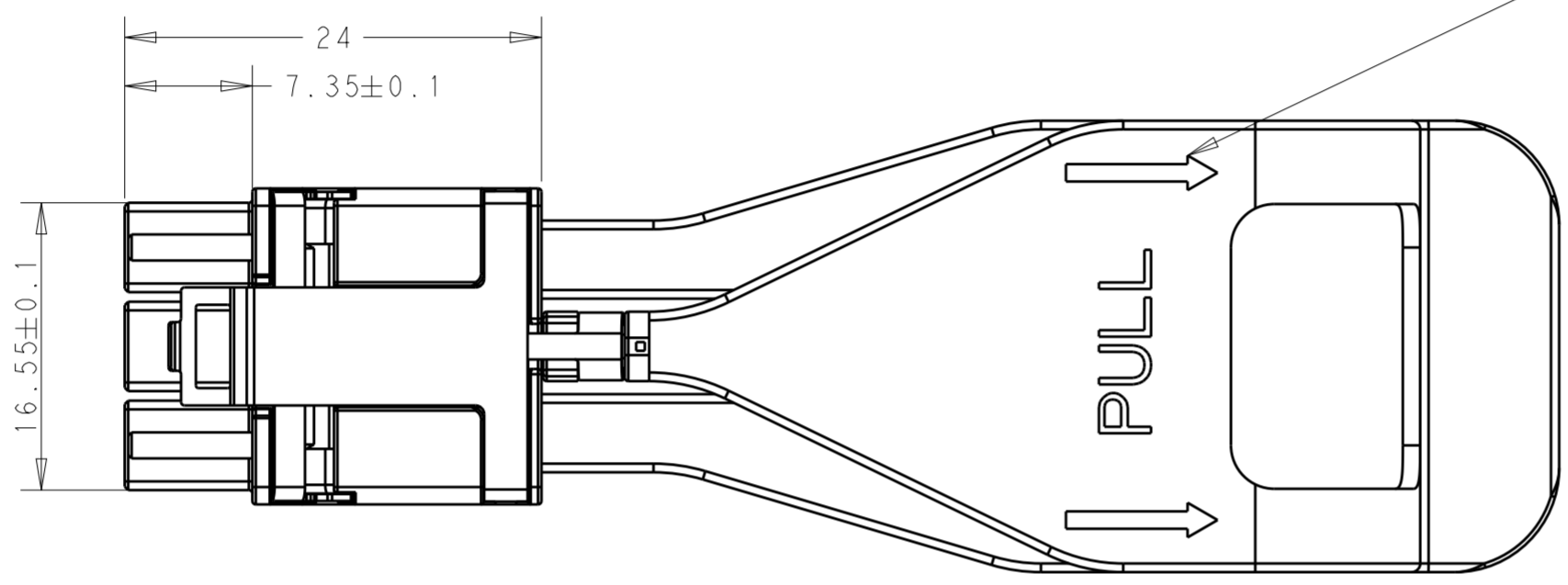
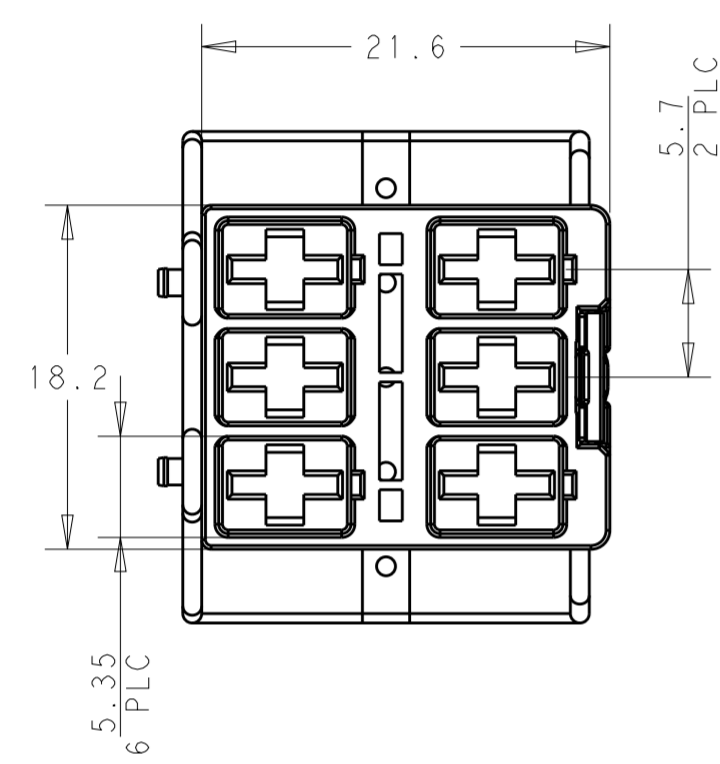
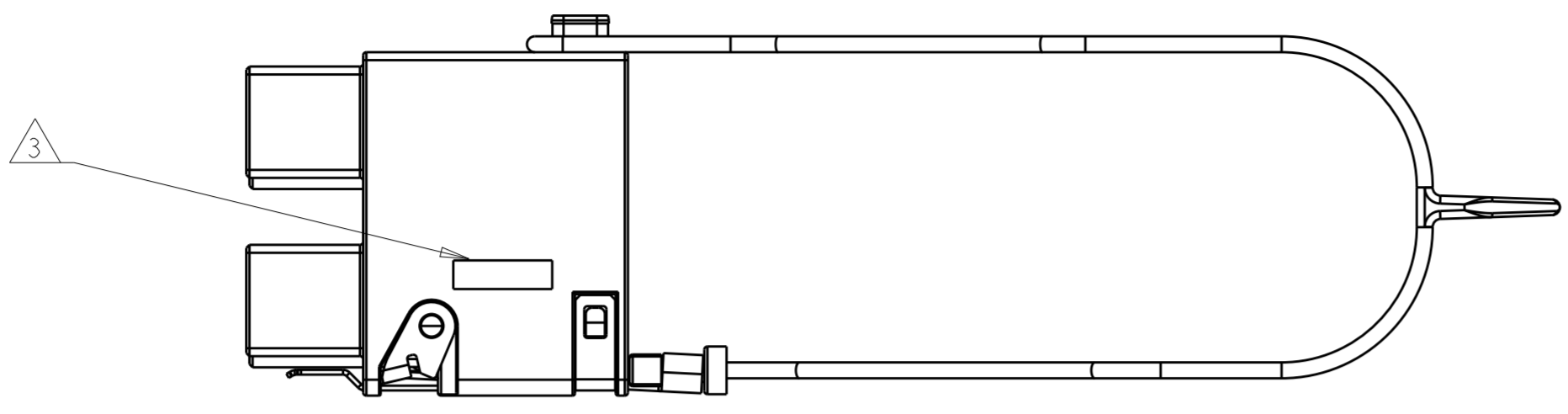
OTHER DIMENSIONS, REFER TO SHEET 1

2204534-2 PART NUMBER

THIS DRAWING IS A CONTROLLED DOCUMENT.		DWN 03APR2015 ORANDO LI		
		CHK 03APR2015 ZHAO SUNY		
		APVD 03APR2015 SUNY ZHAO	NAME ELCON Mini, 3-position cable conn. pull-tab, 6mm2 max. wire	
DIMENSIONS:		PRODUCT SPEC	SIZE	
mm	TOLERANCES UNLESS OTHERWISE SPECIFIED:	108-128028	CAGE CODE	
	0 PLC ±0.2	APPLICATION SPEC	DRAWING NO	
	1 PLC ±0.1	114-128029	RESTRICTED TO	
	2 PLC ±0.05	WEIGHT	A2 -	
	3 PLC ±	CUSTOMER DRAWING	SCALE 1:1 SHEET 2 OF 4 REV B3	
	4 PLC ±			
	ANGLES ±			
	FINISH -			
	-			

THIS DRAWING IS UNPUBLISHED. RELEASED FOR PUBLICATION 20
 © COPYRIGHT 20 BY - ALL RIGHTS RESERVED.

REVISIONS				
P	LTR	DESCRIPTION	DATE	APVD
-	-	SEE SHEET 1	-	-

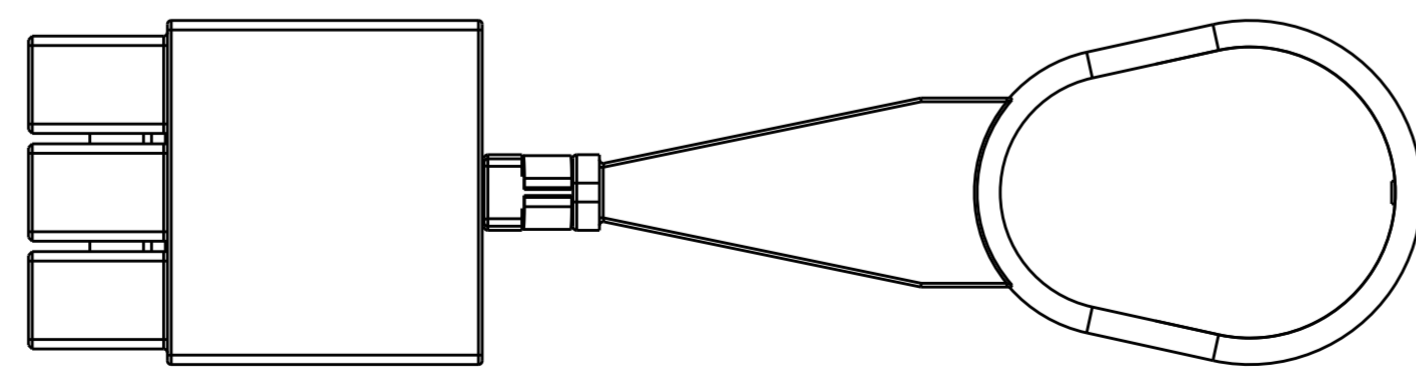
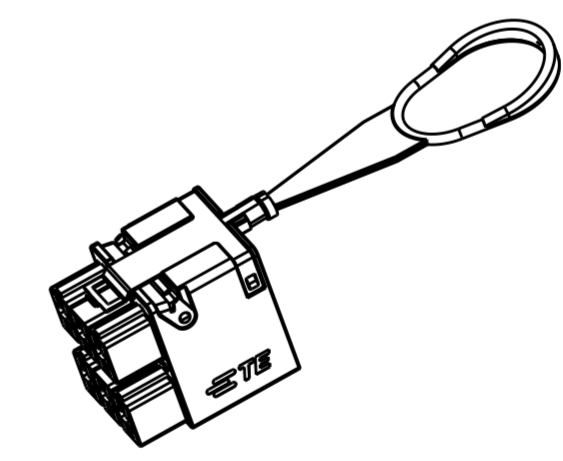
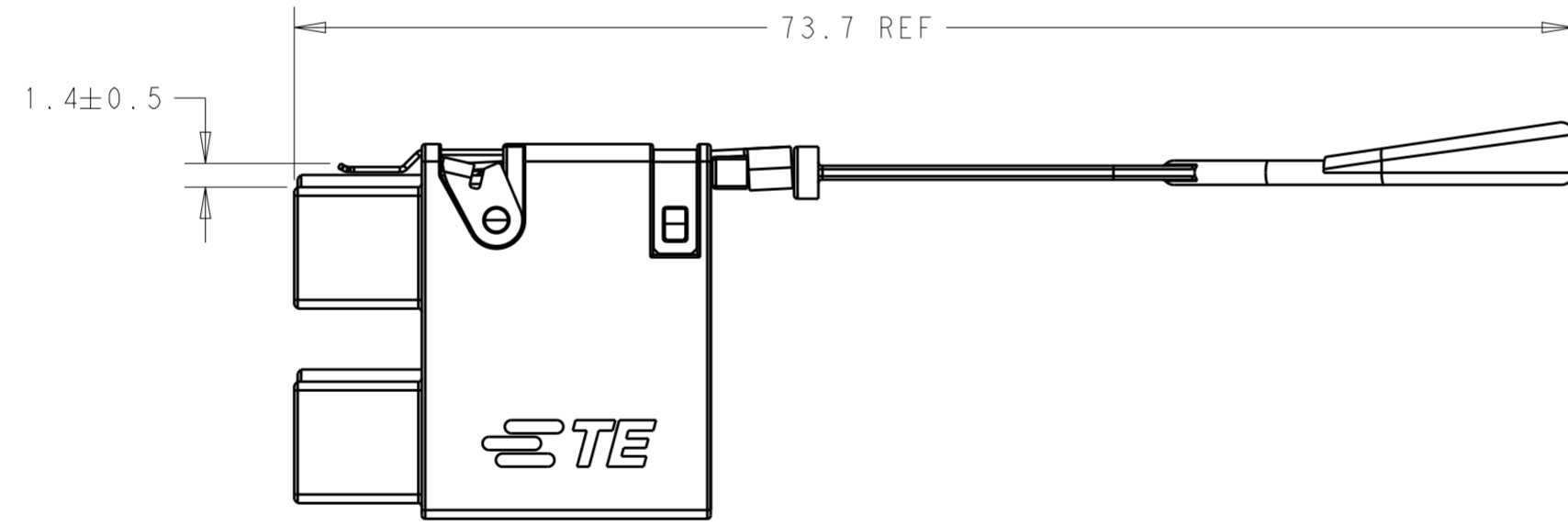
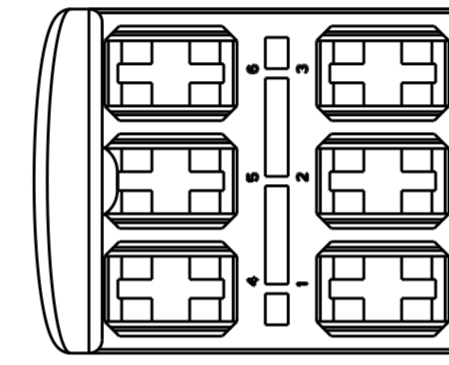
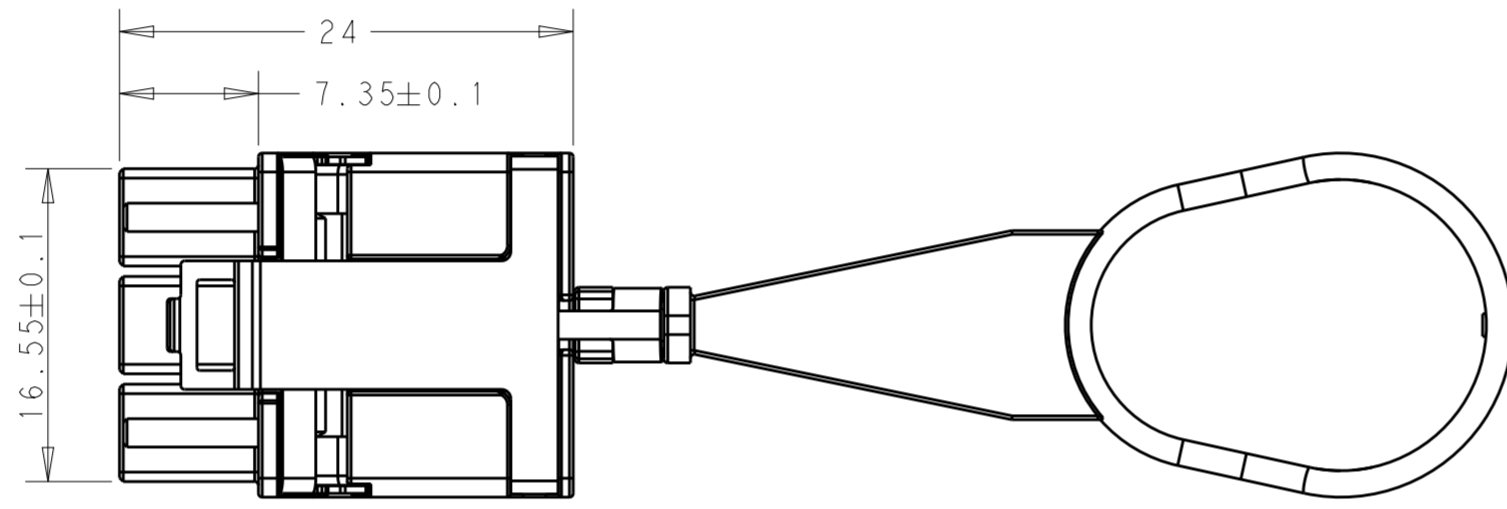
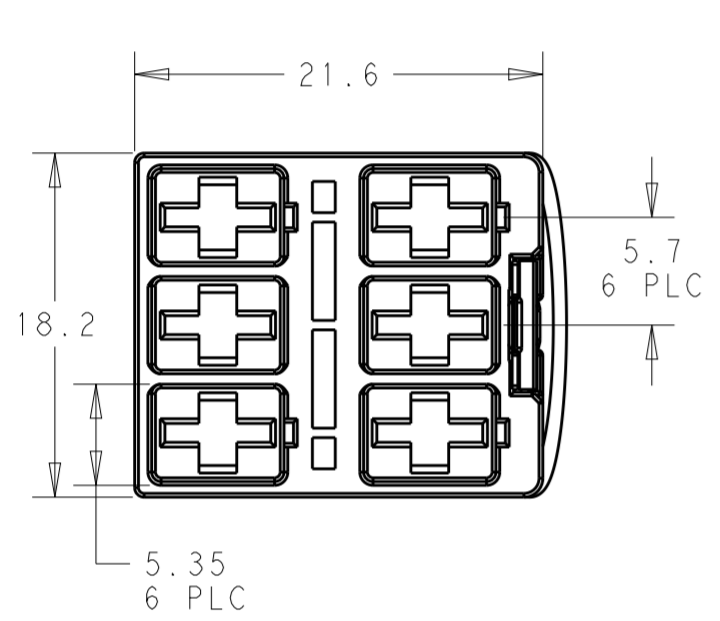
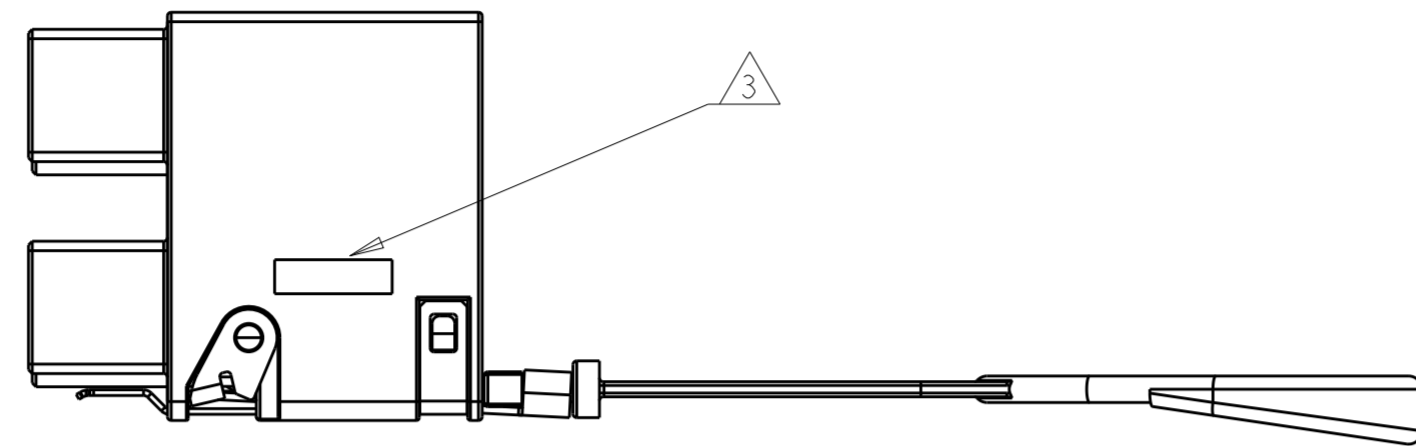


2204534-3 PART NUMBER

THIS DRAWING IS A CONTROLLED DOCUMENT.		DWN ORANDO LI 03APR2015	TE Connectivity	
		CHK ZHAO SUNY 03APR2015		
		APVD SUNY ZHAO 03APR2015	NAME ELCON Mini, 3-position cable conn. pull-tab, 6mm ² max. wire	
DIMENSIONS: mm		PRODUCT SPEC 108-128028	SIZE A2	CAGE CODE -
TOLERANCES UNLESS OTHERWISE SPECIFIED:		APPLICATION SPEC 114-128029	DRAWING NO. C-2204534	RESTRICTED TO -
MATERIAL TBD		WEIGHT -	SCALE 1:1	SHEET 3 OF 4
		CUSTOMER DRAWING	REV B3	

THIS DRAWING IS UNPUBLISHED. RELEASED FOR PUBLICATION 20
 © COPYRIGHT 20 BY - ALL RIGHTS RESERVED.

REVISIONS				
P	LTR	DESCRIPTION	DATE	APVD
-		SEE SHEET 1	-	-



THIS DRAWING IS A CONTROLLED DOCUMENT.		DWN 03APR2015	2204534-5 PART NUMBER															
DIMENSIONS: mm		CHK ZHAO SUNY 03APR2015	TE Connectivity															
TOLERANCES UNLESS OTHERWISE SPECIFIED:		APVD SUNY ZHAO 03APR2015																
<table border="1"> <tr><td>0 PLC</td><td>±0.2</td></tr> <tr><td>1 PLC</td><td>±0.1</td></tr> <tr><td>2 PLC</td><td>±0.05</td></tr> <tr><td>3 PLC</td><td>±</td></tr> <tr><td>4 PLC</td><td>±</td></tr> <tr><td>ANGLES</td><td>±</td></tr> <tr><td>FINISH</td><td>-</td></tr> </table>		0 PLC	±0.2	1 PLC	±0.1	2 PLC	±0.05	3 PLC	±	4 PLC	±	ANGLES	±	FINISH	-	PRODUCT SPEC 108-128028	NAME ELCON Mini, 3-position cable conn. pull-tab, 6mm2 max. wire	
0 PLC	±0.2																	
1 PLC	±0.1																	
2 PLC	±0.05																	
3 PLC	±																	
4 PLC	±																	
ANGLES	±																	
FINISH	-																	
MATERIAL TBD		APPLICATION SPEC 114-128029	SIZE A2	RESTRICTED TO -														
		WEIGHT -	CAGE CODE -	DRAWING NO. C-2204534														
		CUSTOMER DRAWING	SCALE 1:1	SHEET 4 OF 4 REV B3														

X-ON Electronics

Largest Supplier of Electrical and Electronic Components

Click to view similar products for [Heavy Duty Power Connectors](#) category:

Click to view products by [TE Connectivity](#) manufacturer:

Other Similar products are found below :

[647757-1](#) [6643411-1](#) [6646058-2](#) [6646137-1](#) [6646138-1](#) [6646479-1](#) [6646608-1](#) [6646786-1](#) [6646940-1](#) [6651091-1](#) [6651525-1](#) [6651529-1](#)
[6651788-1](#) [696475-1](#) [702-32-01109](#) [703-25-02205](#) [73000005059](#) [73000005642](#) [73080255059](#) [73080965046](#) [765-15-0080A](#) [765-16-0080B](#)
[765-18-0080D](#) [829992-1](#) [902-77-02113](#) [PS00/A0620/6300](#) [PS25/A0420/63](#) [129-1J](#) [1409400](#) [AN0024023](#) [E6374G1](#) [e6389g2](#) [157-43GW8](#)
[MS3117-14AC](#) [1643543-1](#) [1650540-1](#) [1651811-2](#) [1766260-1](#) [1766282-1](#) [1766966-1](#) [1791340000](#) [NLDFT-3-BL-L-S120-M40A](#) [NLDFT-N-](#)
[W-L-C240-M40B](#) [NLS-2-R-C240-M40B](#) [NLS-N-W-C240-M40B](#) [NPS-3-BL-T6](#) [1986615-1](#) [2-1589900-8](#) [2199314-1](#) [KA8102](#)