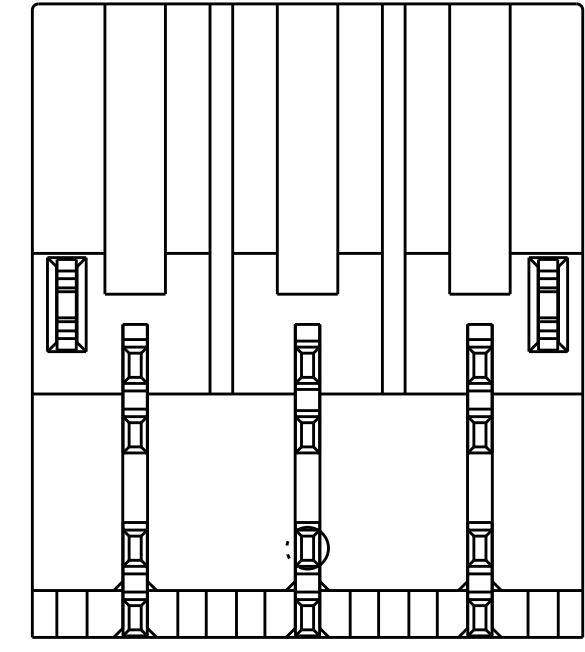
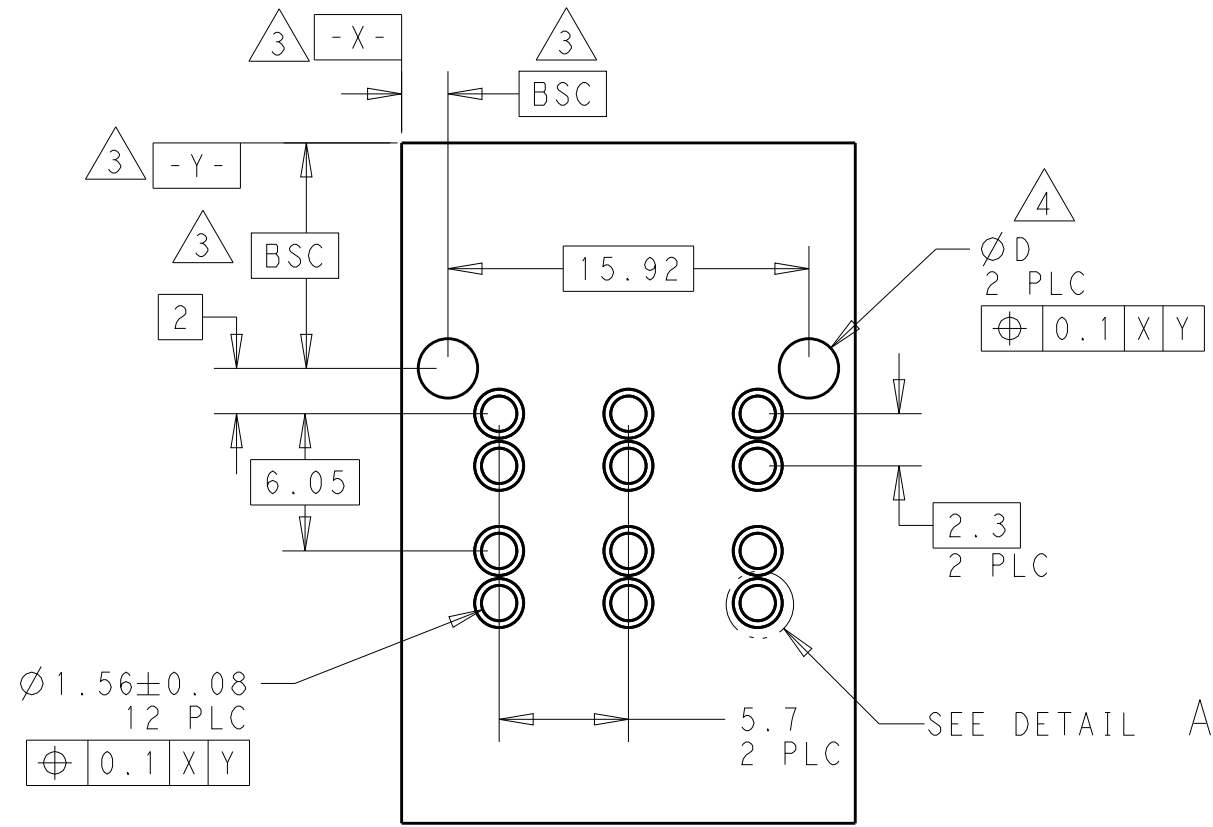
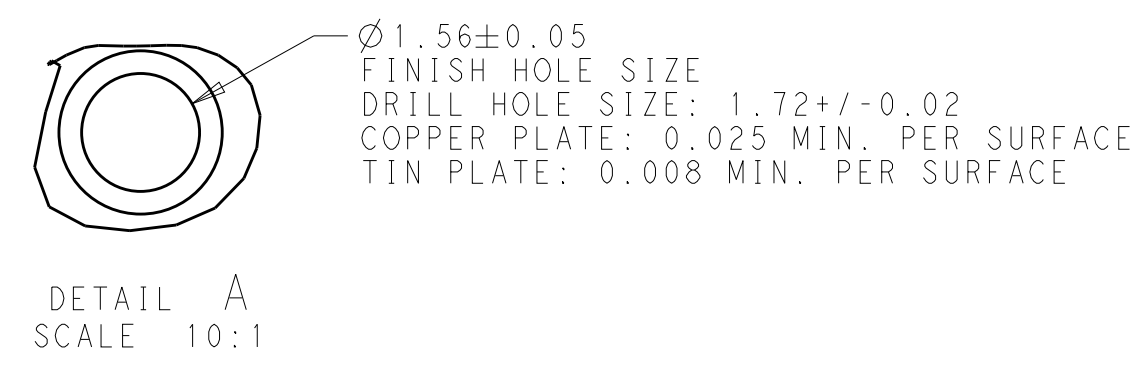
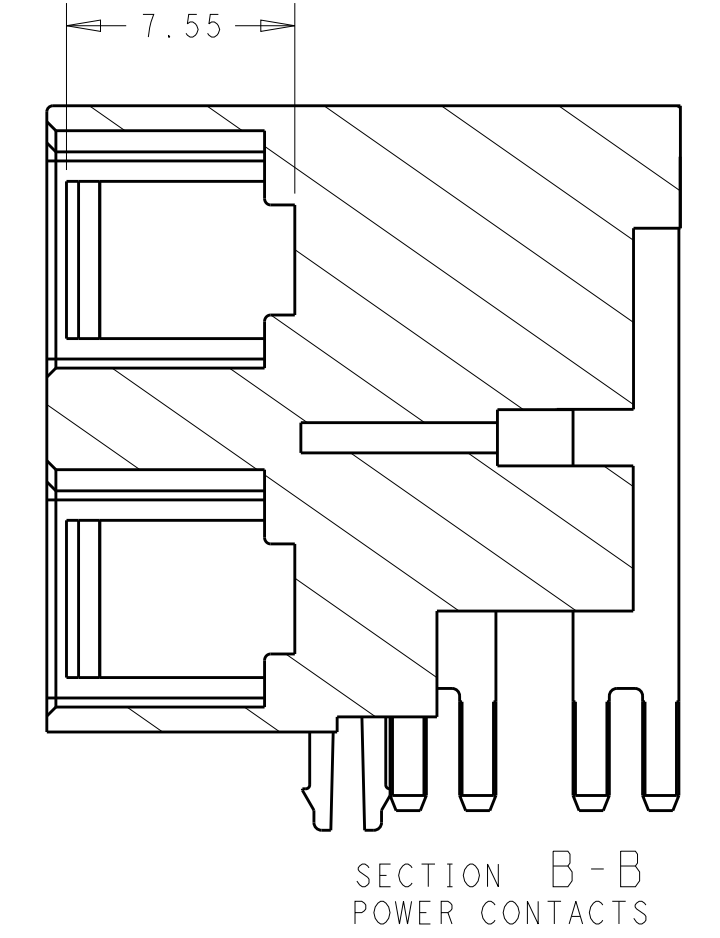
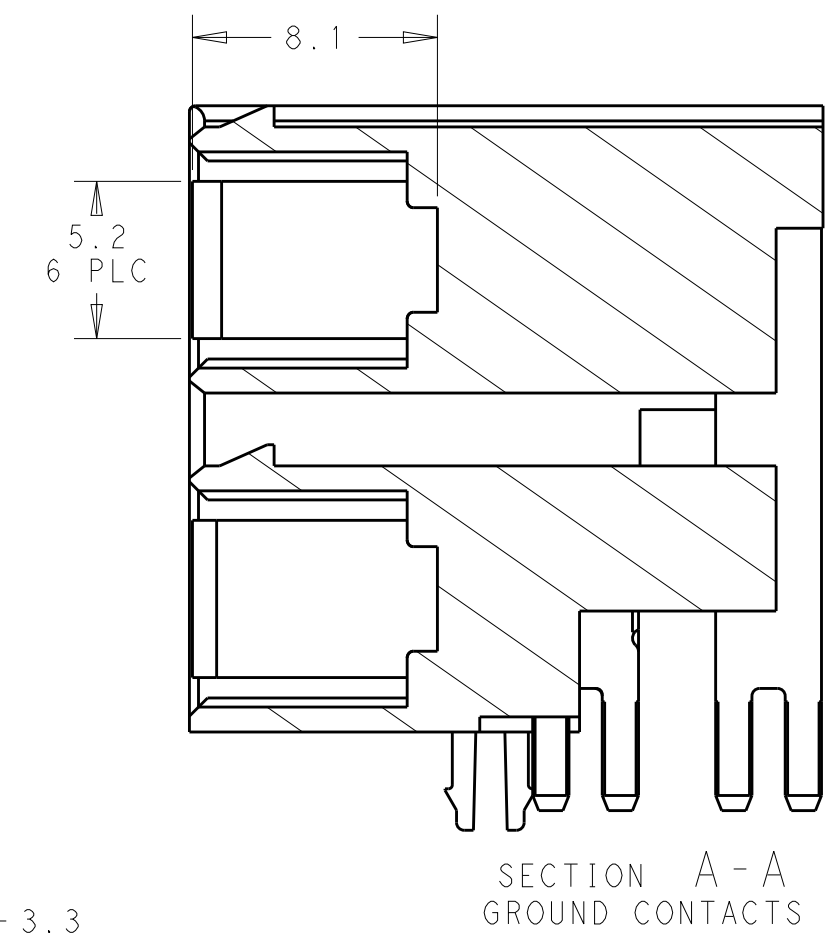
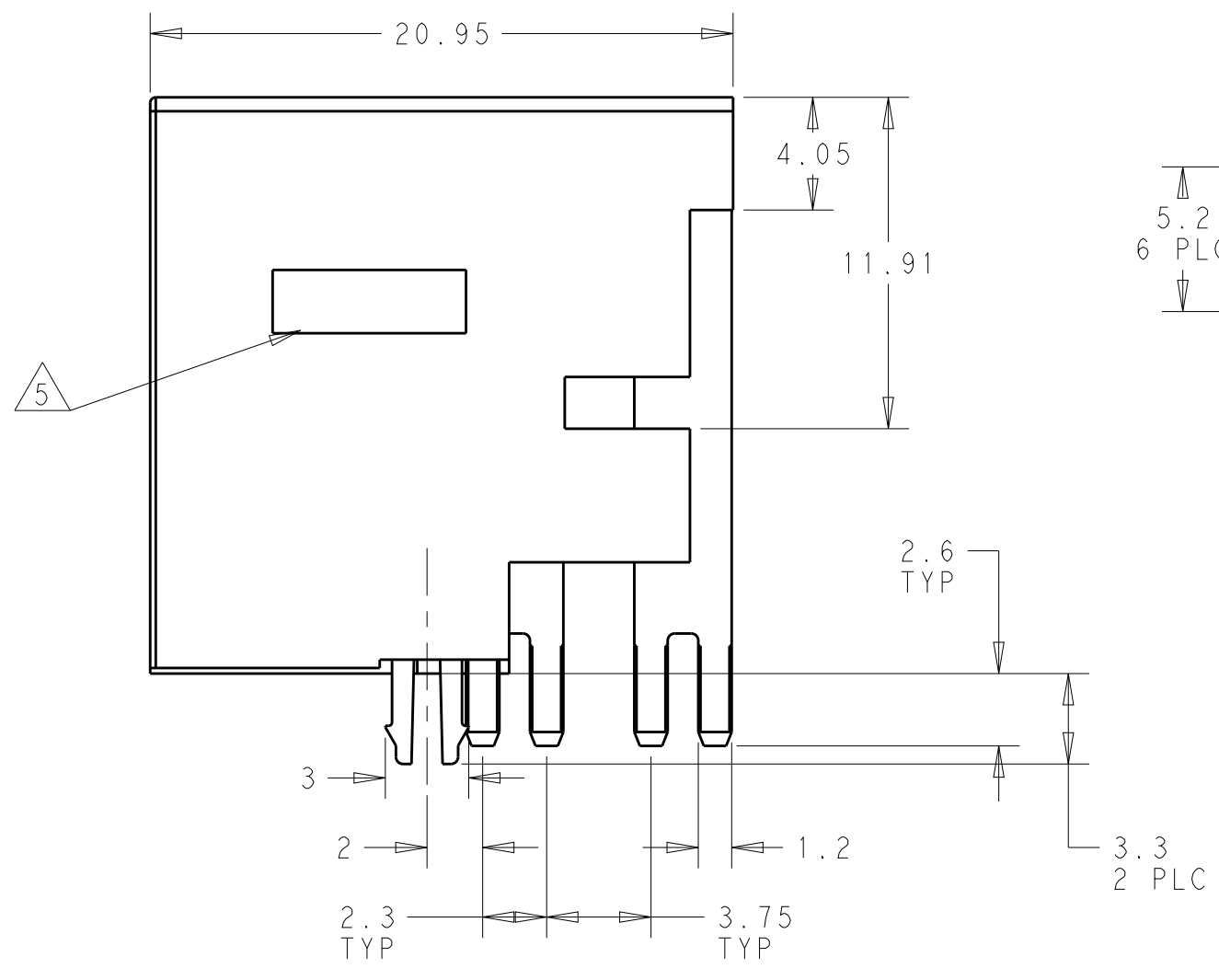
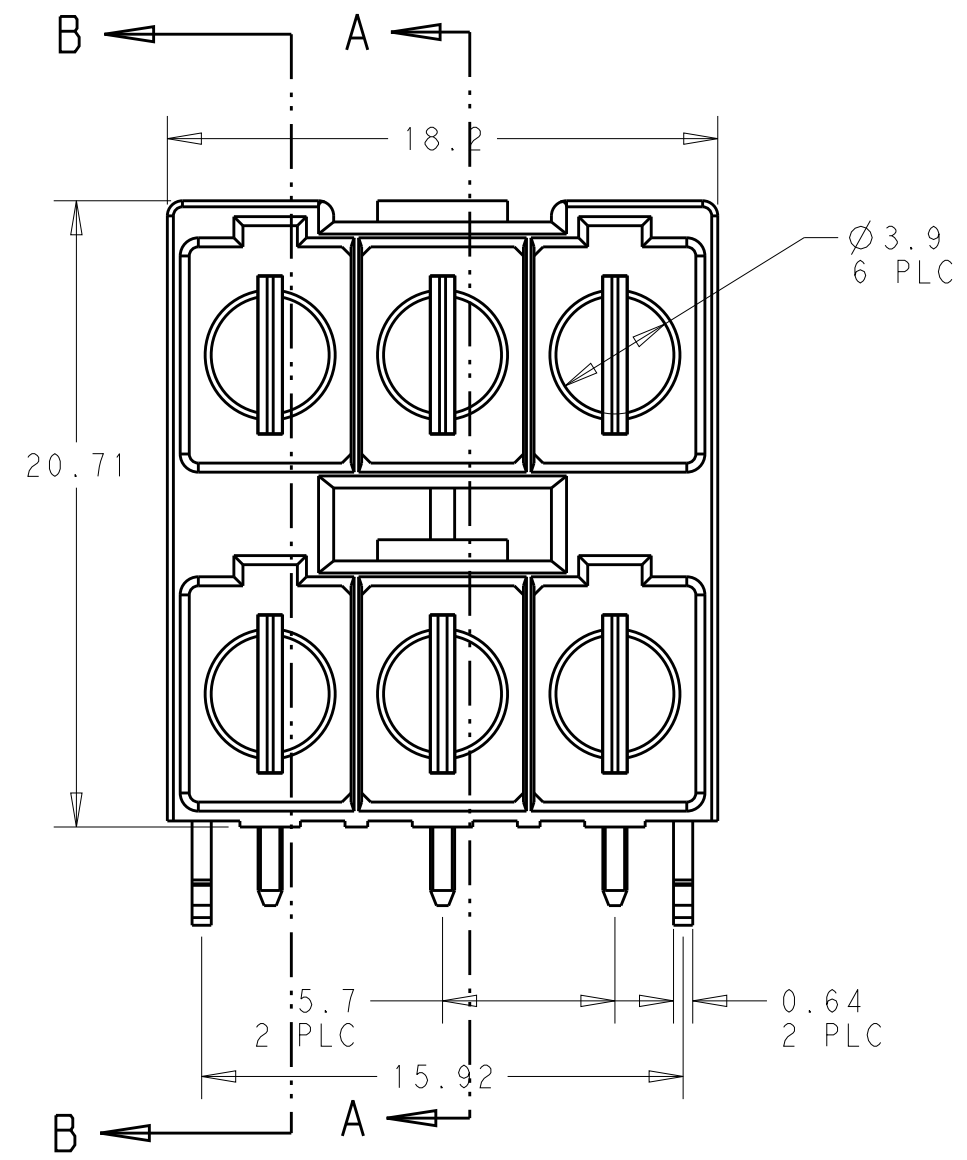
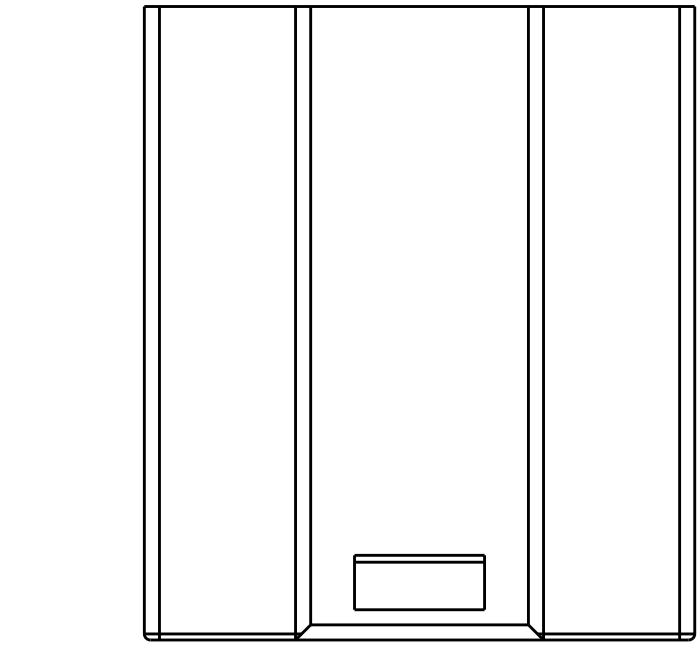


THIS DRAWING IS UNPUBLISHED. RELEASED FOR PUBLICATION 20
 © COPYRIGHT 20 BY - ALL RIGHTS RESERVED.

REVISIONS					
P	LTR	DESCRIPTION	DATE	DWN	APVD
B2		ADD -3	21JUN2019	OL	SZ
B3		ADD -4	08AUG2019	OL	SZ

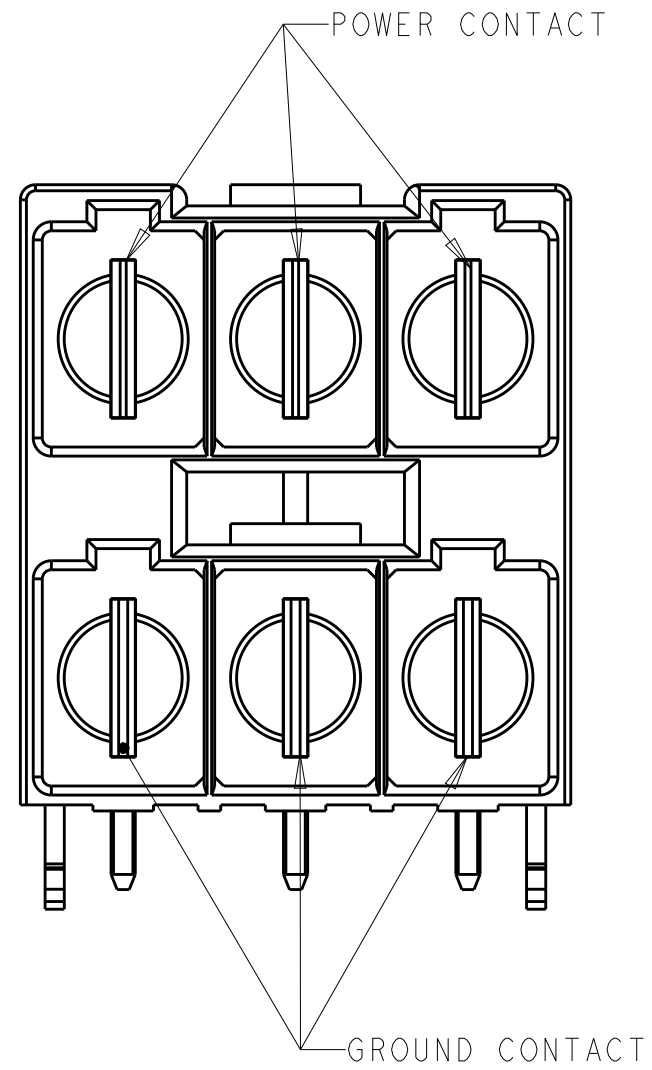
- 1 MATERIAL:
HOUSING: LCP BLACK, UL94V-0; CONTACT AND RETENTION CLIP: COPPER ALLOY
- 2 PLATING:
POWER CONTACT: 3UM SILVER AT CONTACT AND SOLDER AREA OVER NICKEL PLATED;
RETENTION CLIP: TIN PLATED
- 3 DATUM AND BASIC DIMENSIONS ESTABLISHED BY CUSTOMER
- 4 UNPLATED THROUGH HOLE; THE RECOMMENDED HOLE SIZE IS 2.75MM OR 2.65MM.
- 5 "TE", PART NUMBER AND DATECODE TO BE MARKED IN AREA SHOWN
- 6 PLATING: 0.76µM GOLD ON CONTACT AREA AND GOLD FLASH ON OTHER AREA.
RETENTION CLIP: TIN PLATED



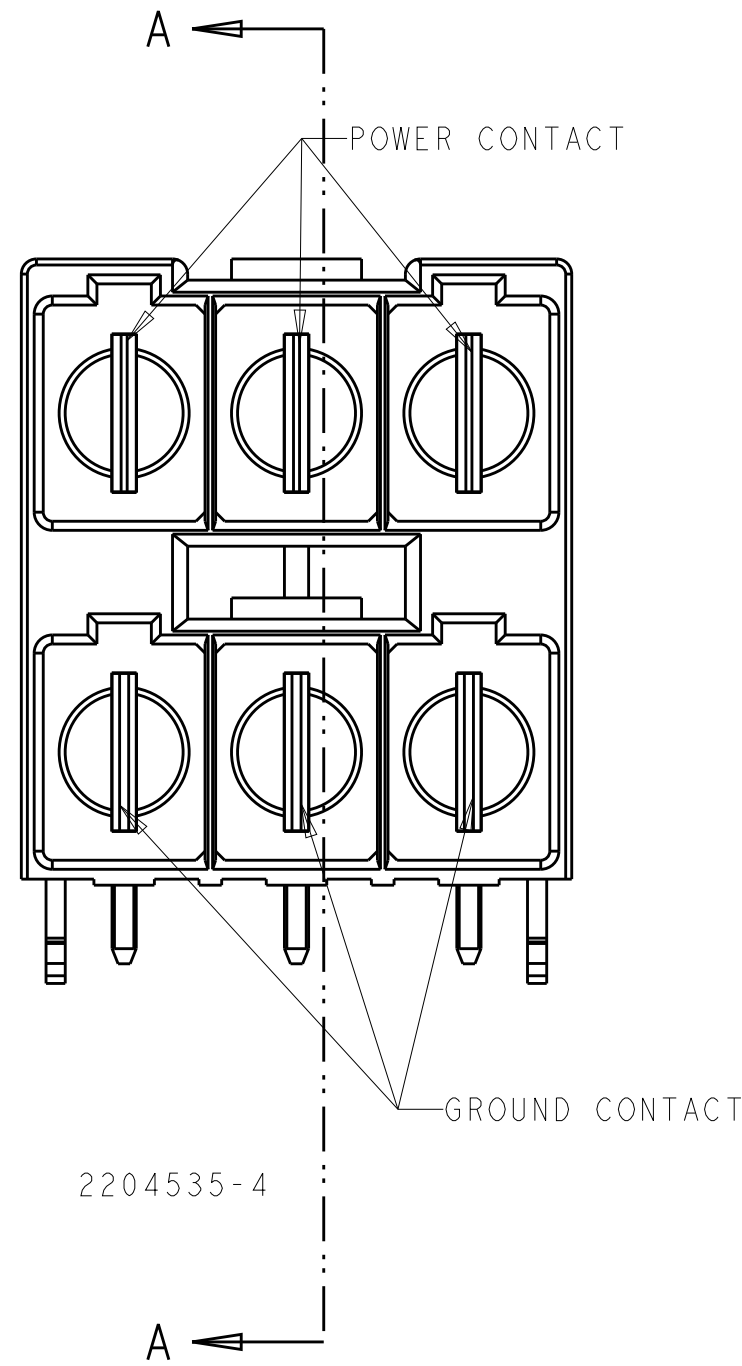
THIS DRAWING IS A CONTROLLED DOCUMENT.		DWN ORANDO LI 03APR2015	TE Connectivity	
		CHK ZHAO SUNY 03APR2015		
		APVD SUNY ZHAO 03APR2015	NAME ELCON Mini, 2x3-position stacked header, right-angle	
DIMENSIONS: mm		PRODUCT SPEC 108-		SIZE A2
TOLERANCES UNLESS OTHERWISE SPECIFIED:		APPLICATION SPEC 114-		CAGE CODE -
0 PLC ±		WEIGHT -		DRAWING NO. C-2204535
1 PLC ±0.1		CUSTOMER DRAWING		RESTRICTED TO -
2 PLC ±0.05		SCALE 4:1		SHEET 1 OF 2
3 PLC ±		REV B3		
4 PLC ±				
ANGLES ±				
FINISH -				

THIS DRAWING IS UNPUBLISHED. RELEASED FOR PUBLICATION 20
 © COPYRIGHT 20 BY - ALL RIGHTS RESERVED.

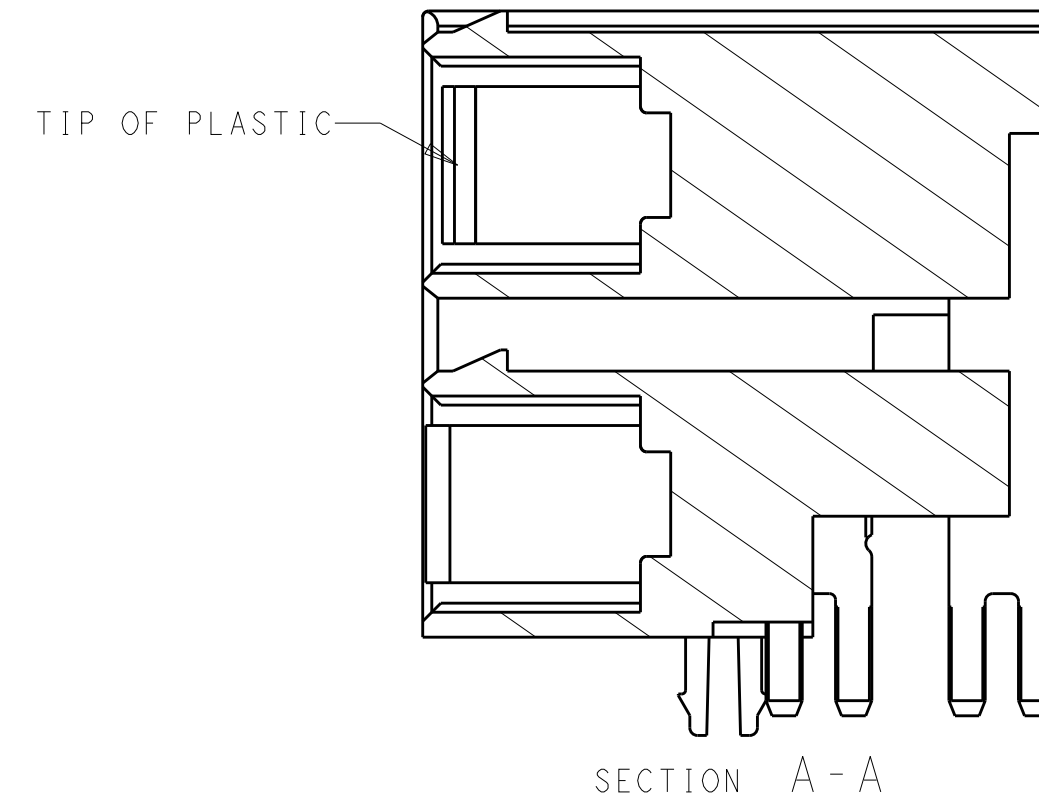
REVISIONS				
P	LTR	DESCRIPTION	DATE	APVD
-		SEE SHEET 1	-	-



2204535-3



2204535-4



SECTION A-A

OTHER DIMENSIONS, PLEASE SEE SHEET 1

GROUND	PROBE PROOF	$\frac{6}{\Delta}$	2204535-4
GROUND	PROBE PROOF	$\frac{2}{\Delta}$	2204535-3
LOWER ROW	UPPER ROW	PLATING	PART NUMBER

THIS DRAWING IS A CONTROLLED DOCUMENT.		DWN GRANDO LI 03APR2015	TE Connectivity	
DIMENSIONS:		CHK ZHAO SUNY 03APR2015		
mm	TOLERANCES UNLESS OTHERWISE SPECIFIED:	APVD SUNY ZHAO 03APR2015	NAME ELCON Mini, 2x3-position stacked header, right-angle	
	0 PLC ± 1 PLC ±0.1 2 PLC ±0.05 3 PLC ± 4 PLC ±	PRODUCT SPEC 108-	SIZE A2	CAGE CODE -
MATERIAL TBD	ANGLES ± FINISH -	APPLICATION SPEC 114-	DRAWING NO C-2204535	RESTRICTED TO -
		WEIGHT -	SCALE 4:1	SHEET 2 OF 2
		CUSTOMER DRAWING	REV B3	

X-ON Electronics

Largest Supplier of Electrical and Electronic Components

Click to view similar products for [Heavy Duty Power Connectors](#) category:

Click to view products by [TE Connectivity](#) manufacturer:

Other Similar products are found below :

[647757-1](#) [6643411-1](#) [6646058-2](#) [6646137-1](#) [6646138-1](#) [6646479-1](#) [6646608-1](#) [6646786-1](#) [6646940-1](#) [6651091-1](#) [6651525-1](#) [6651529-1](#)
[6651788-1](#) [696475-1](#) [702-32-01109](#) [703-25-02205](#) [73000005059](#) [73000005642](#) [73080255059](#) [73080965046](#) [765-15-0080A](#) [765-16-0080B](#)
[765-18-0080D](#) [829992-1](#) [902-77-02113](#) [PS00/A0620/6300](#) [PS25/A0420/63](#) [129-1J](#) [1409400](#) [AN0024023](#) [E6374G1](#) [e6389g2](#) [157-43GW8](#)
[MS3117-14AC](#) [1643543-1](#) [1650540-1](#) [1651811-2](#) [1766260-1](#) [1766282-1](#) [1766966-1](#) [1791340000](#) [NLDFT-3-BL-L-S120-M40A](#) [NLDFT-N-](#)
[W-L-C240-M40B](#) [NLS-2-R-C240-M40B](#) [NLS-N-W-C240-M40B](#) [NPS-3-BL-T6](#) [1986615-1](#) [2-1589900-8](#) [2199314-1](#) [KA8102](#)