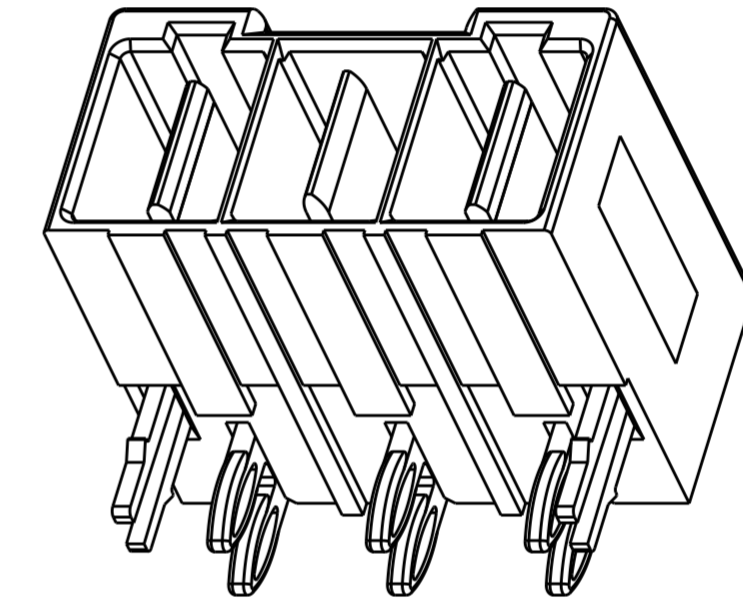
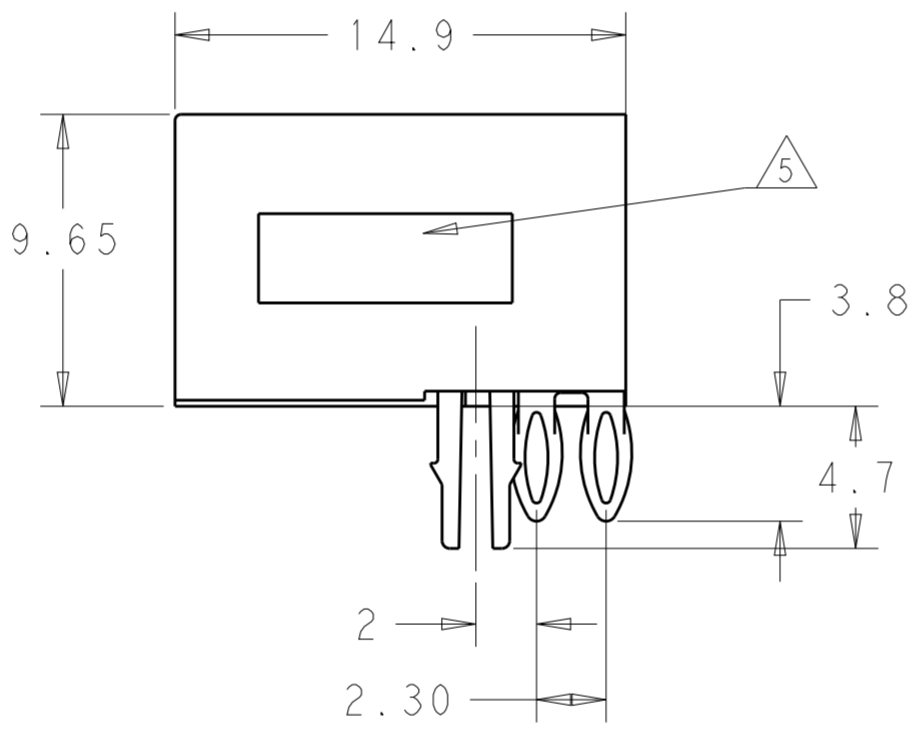
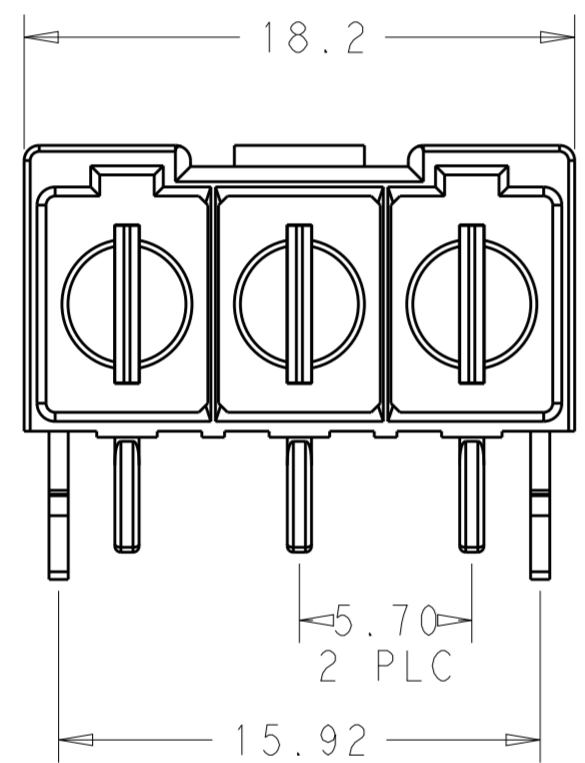
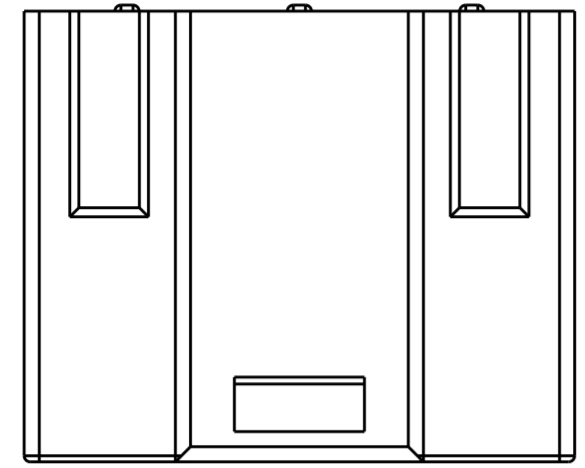


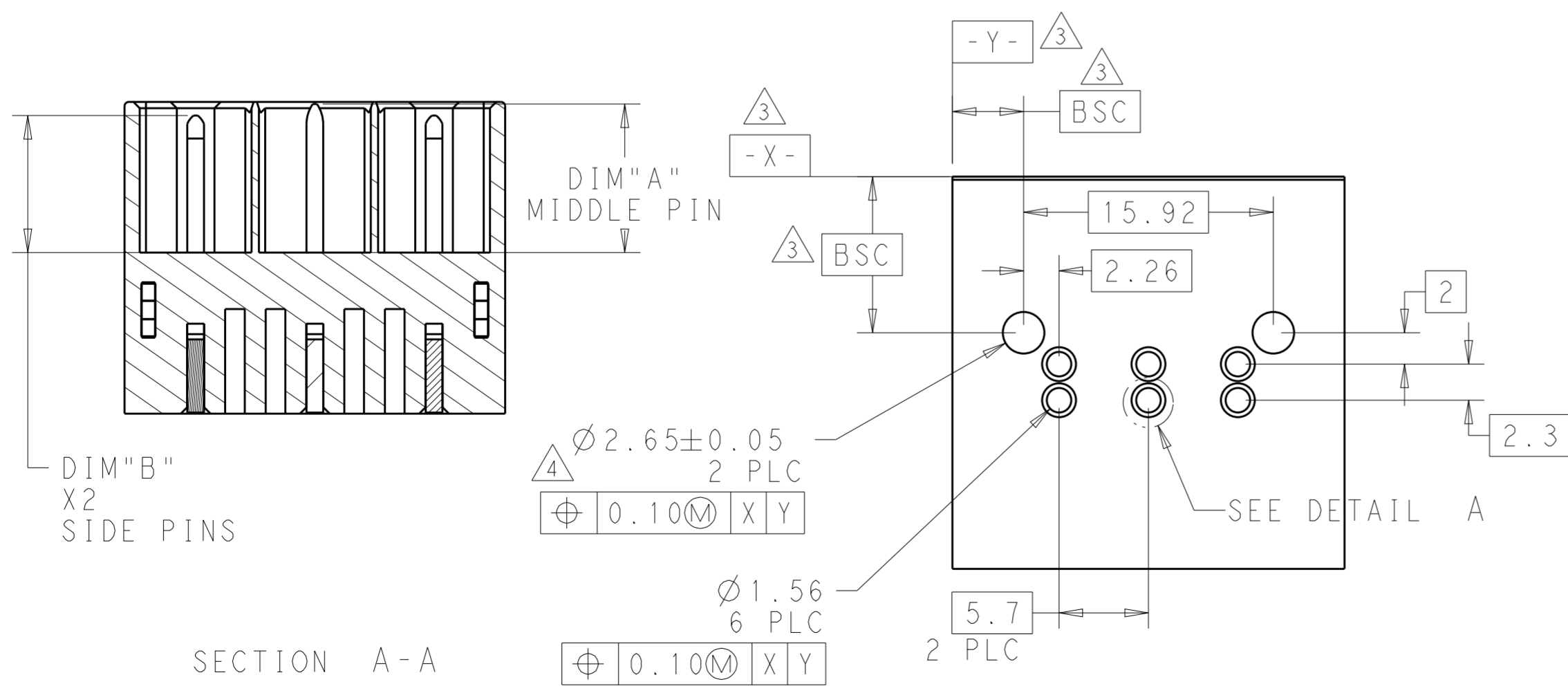
THIS DRAWING IS UNPUBLISHED. RELEASED FOR PUBLICATION
 © COPYRIGHT copyright.dBTe- ALL RIGHTS RESERVED.

REVISIONS				
P	LTR	DESCRIPTION	DATE	APVD
A		REV PER ECR-16-006138	28APR2016	OL SZ
A1		REV PER ECR-16-006568	05MAY2016	OL SZ
B		REV PER ECO-16-014059	04JAN2017	WY SZ
B1		ADD -3	19APR2019	OL SZ



2204581-2 IS SHOWN

- 1 MATERIAL:
HOUSING: LCP BLACK, UL94V-0; CONTACT AND RETENTION CLIP: COPPER ALLOY
- 2 PLATING:
POWER CONTACT: SILVER AT CONTACT AREA OVER NICKEL PLATED ALL OVER
RETENTION CLIP: TIN PLATED
- 3 DATUM AND BASIC DIMENSIONS ESTABLISHED BY CUSTOMER
- 4 UNPLATED THROUGH HOLE; THE RECOMMENDED HOLE SIZE IS 2.75MM OR 2.65MM.
- 5 "TE", PART NUMBER AND DATECODE TO BE MARKED IN AREA SHOWN
- 6 PLATING: POWER CONTACT: 30U'' GOLD PLATED ON CONTACT AREA.



Ø 1.56±0.05
 FINISH HOLE SIZE
 DRILL HOLE SIZE : 1.72±0.02
 COPPER PLATE: 0.025 MIN. PER SURFACE
 TIN PLATE: 0.008MIN. PER SURFACE

DETAIL A
 SCALE 10:1

DIM "B"	DIM "A"	PROBE PROOF (SIDE PINS)	PART NUMBER
6.55	7.1	YES	2204581-3
5.6	5.6	NO	2204581-2
6.55	7.1	YES	2204581-1

THIS DRAWING IS A CONTROLLED DOCUMENT.

DWN ORANDO LI 28APR2016	TE Connectivity
CHK SUNY ZHAO 28APR2016	
APVD SUNY ZHAO 28APR2016	
MATERIAL TBD	NAME ELCON Mini, 3-position header right-angle, press-fit type SIZE A2 CAGE CODE - DRAWING NO. C-2204581 RESTRICTED TO
DIMENSIONS: mm	PRODUCT SPEC 108-128027 APPLICATION SPEC 114-128029 WEIGHT - SCALE 4:1 SHEET 1 OF 1 REV B1
TOLERANCES UNLESS OTHERWISE SPECIFIED:	
0 PLC ±0.25	
1 PLC ±0.15	
2 PLC ±0.1	
3 PLC ±	
4 PLC ±	
ANGLES ±	
FINISH -	

X-ON Electronics

Largest Supplier of Electrical and Electronic Components

Click to view similar products for [Heavy Duty Power Connectors](#) category:

Click to view products by [TE Connectivity](#) manufacturer:

Other Similar products are found below :

[647757-1](#) [6643411-1](#) [6646058-2](#) [6646137-1](#) [6646138-1](#) [6646479-1](#) [6646608-1](#) [6646786-1](#) [6646940-1](#) [6651091-1](#) [6651525-1](#) [6651529-1](#)
[6651788-1](#) [696475-1](#) [702-32-01109](#) [703-25-02205](#) [73000005059](#) [73000005642](#) [73080255059](#) [73080965046](#) [765-15-0080A](#) [765-16-0080B](#)
[765-18-0080D](#) [829992-1](#) [902-77-02113](#) [PS00/A0620/6300](#) [PS25/A0420/63](#) [129-1J](#) [1409400](#) [AN0024023](#) [E6374G1](#) [e6389g2](#) [157-43GW8](#)
[MS3117-14AC](#) [1643543-1](#) [1650540-1](#) [1651811-2](#) [1766260-1](#) [1766282-1](#) [1766966-1](#) [1791340000](#) [NLDFT-3-BL-L-S120-M40A](#) [NLDFT-N-](#)
[W-L-C240-M40B](#) [NLS-2-R-C240-M40B](#) [NLS-N-W-C240-M40B](#) [NPS-3-BL-T6](#) [1986615-1](#) [2-1589900-8](#) [2199314-1](#) [KA8102](#)