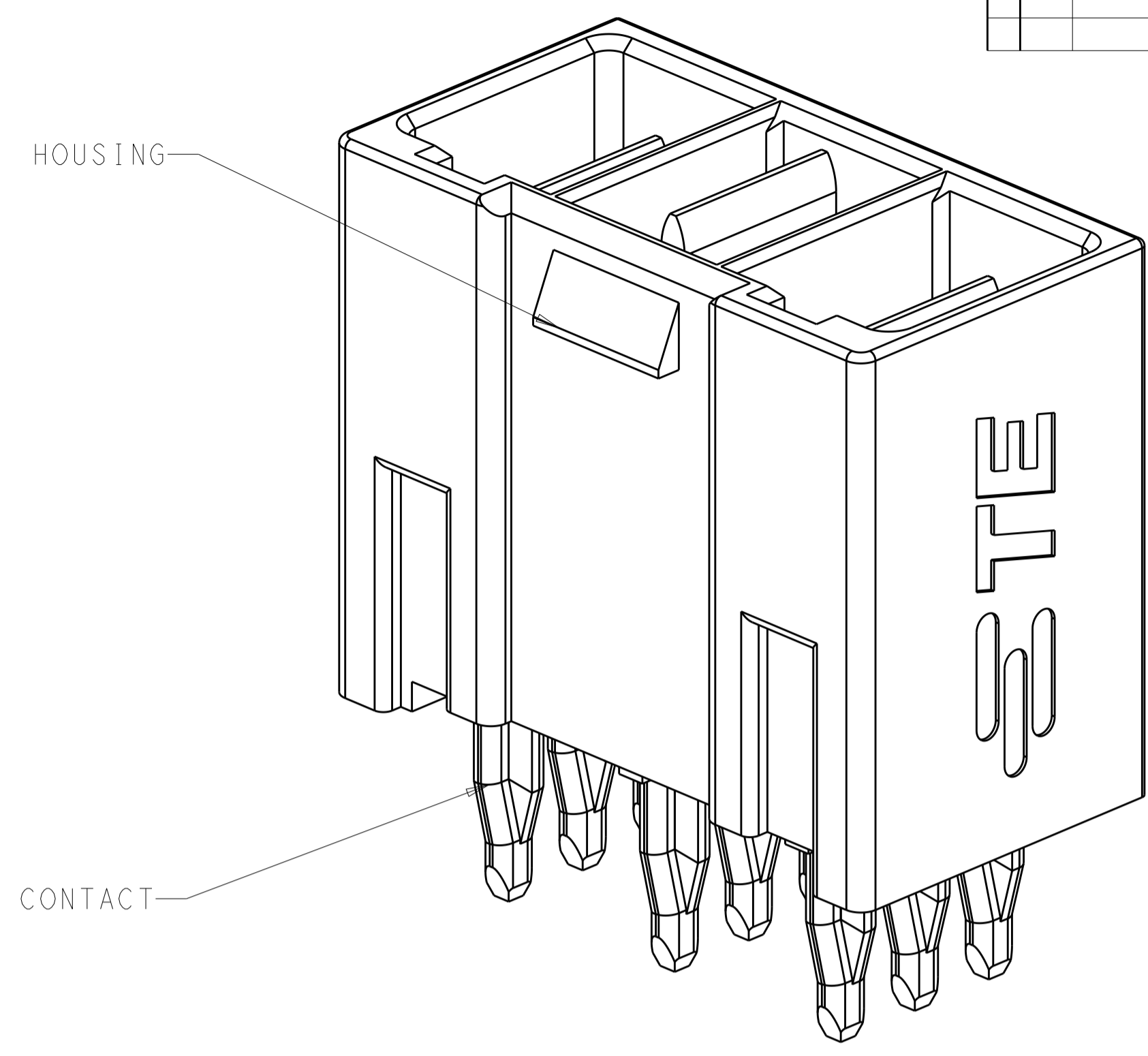
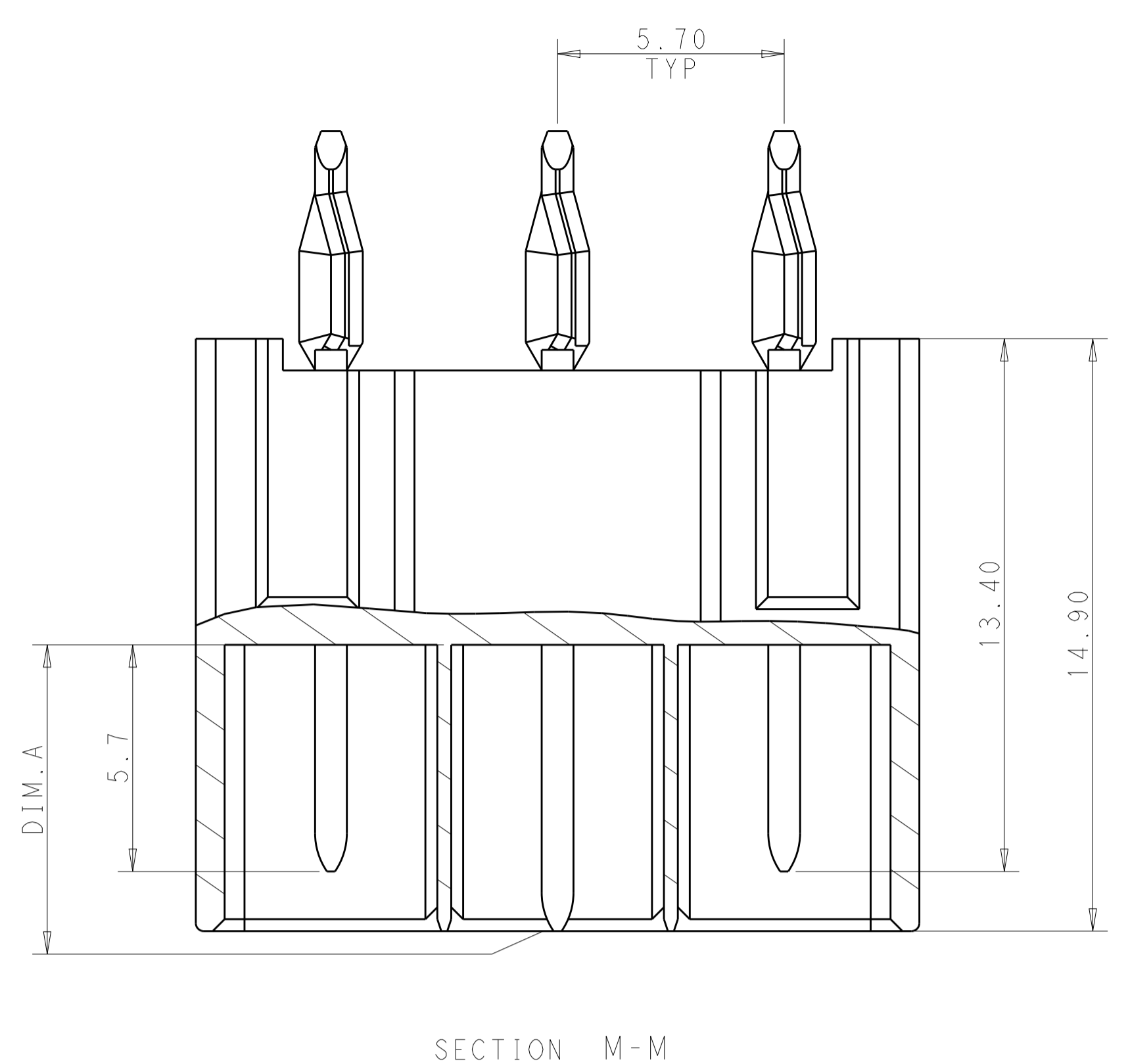
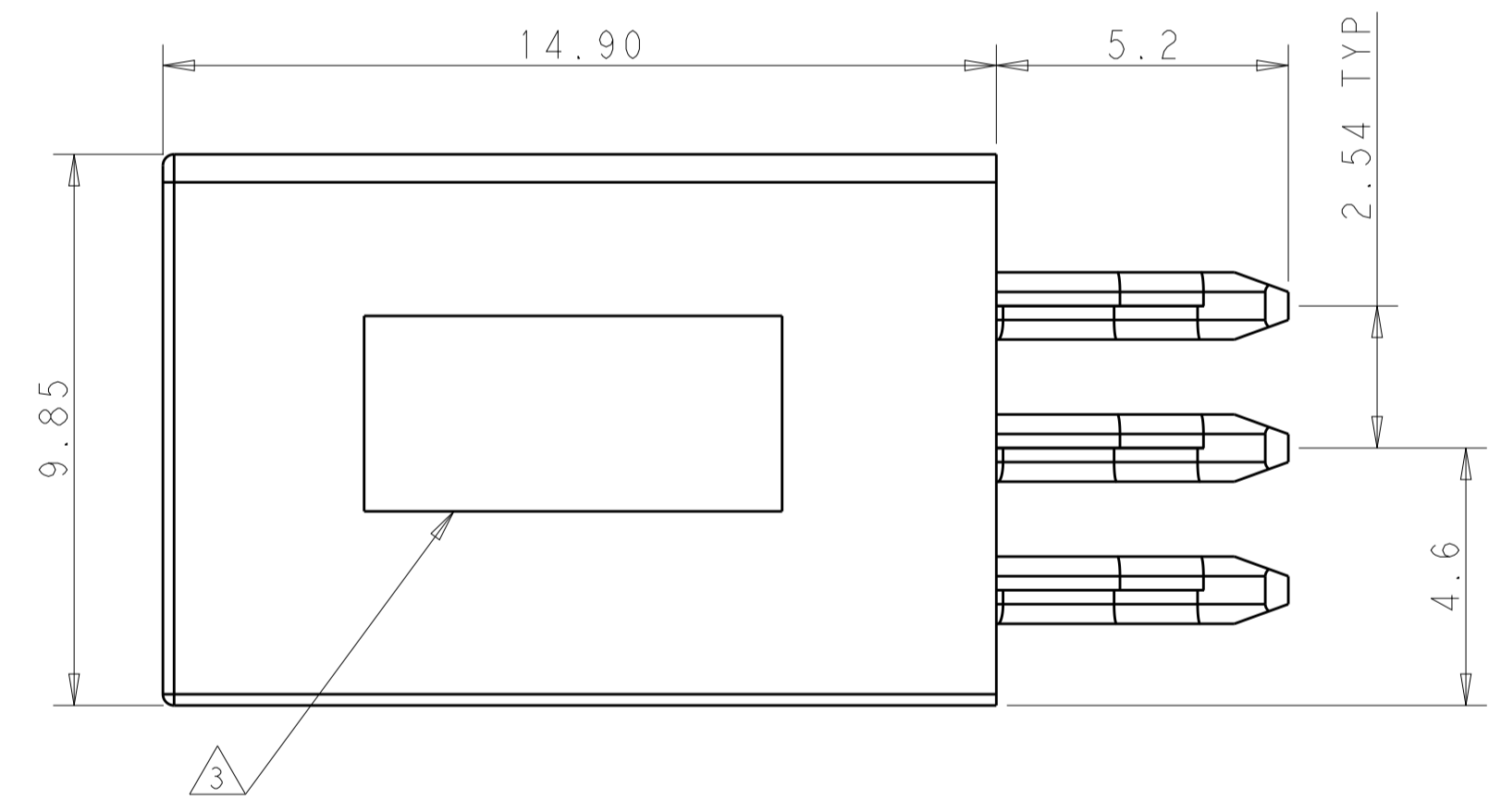
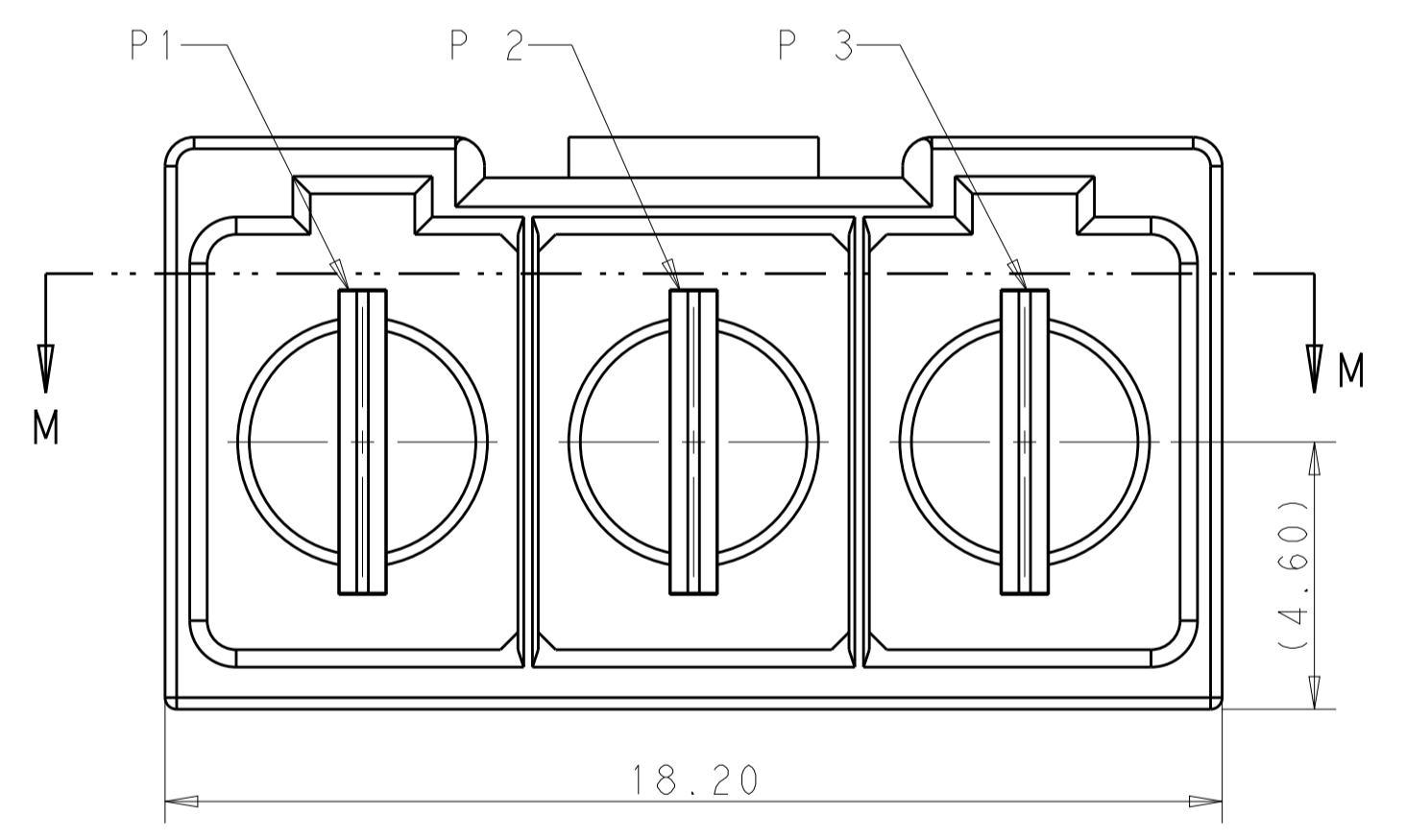


REVISIONS				
P.	LTN	DESCRIPTION	DATE	DWN APVD
B2		ADD KAPTON TAPE FOR -7	26MAR2018	OL SZ
B3		REV PER ECO-19-000285	09JAN2019	OL SZ



PART NUMBER: 2204585-1



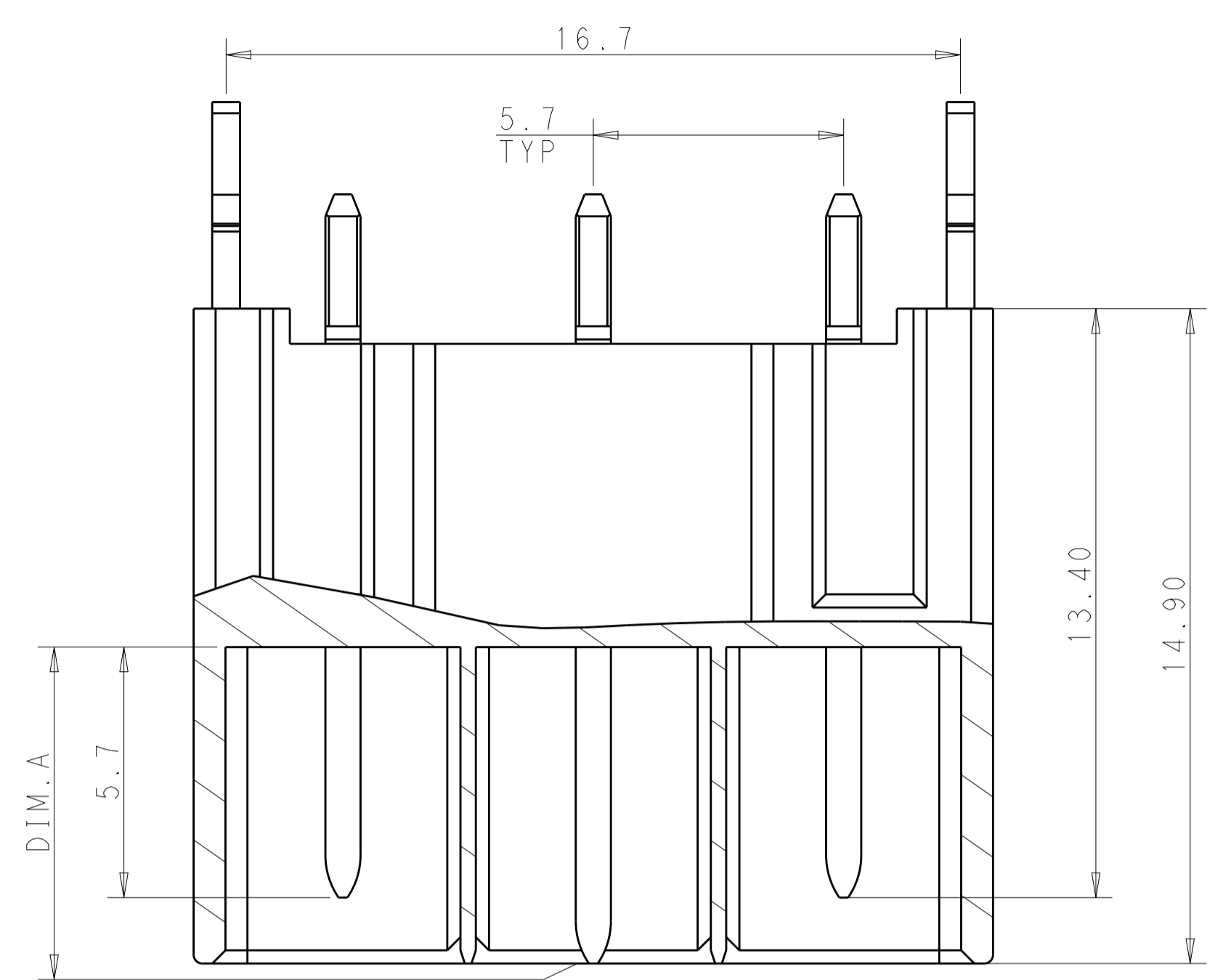
- ⚠ MATERIAL:  
HOUSING: LCP BLACK, UL94V-0;  
CONTACT AND RETENTION CLIP: COPPER ALLOY
- ⚠ PLATING:  
POWER CONTACT: 3um SILVER OVER NICKEL AT CONTACT MATING AREA;  
TIN OVER NICKEL AT TAIL AREA  
RETENTION CLIP: TIN PLATED
- ⚠ "TE", PART NUMBER AND DATECODE TO BE MARKED IN AREA SHOWN
- ⚠ DATUM AND BASIC DIMENSIONS ESTABLISHED BY CUSTOMER
- ⚠ UNPLATED THROUGH HOLE, REQUIRED FOR SOLDER VERSION ONLY (2204585-2 AND 2204585-4)
- ⚠ PLATED THROUGH HOLE DIMENSIONS.  
DRILLED HOLE:  $\varnothing 1.6 \pm 0.025$  mm  
Cu-THICKNESS: 0.025 TO 0.075 mm  
Sn THICKNESS: 0.004 TO 0.010 mm  
FINISHED HOLE:  $\varnothing 1.39 +0.15/-0.0$  mm

NOT YET TOOLED  
NOT YET TOOLED

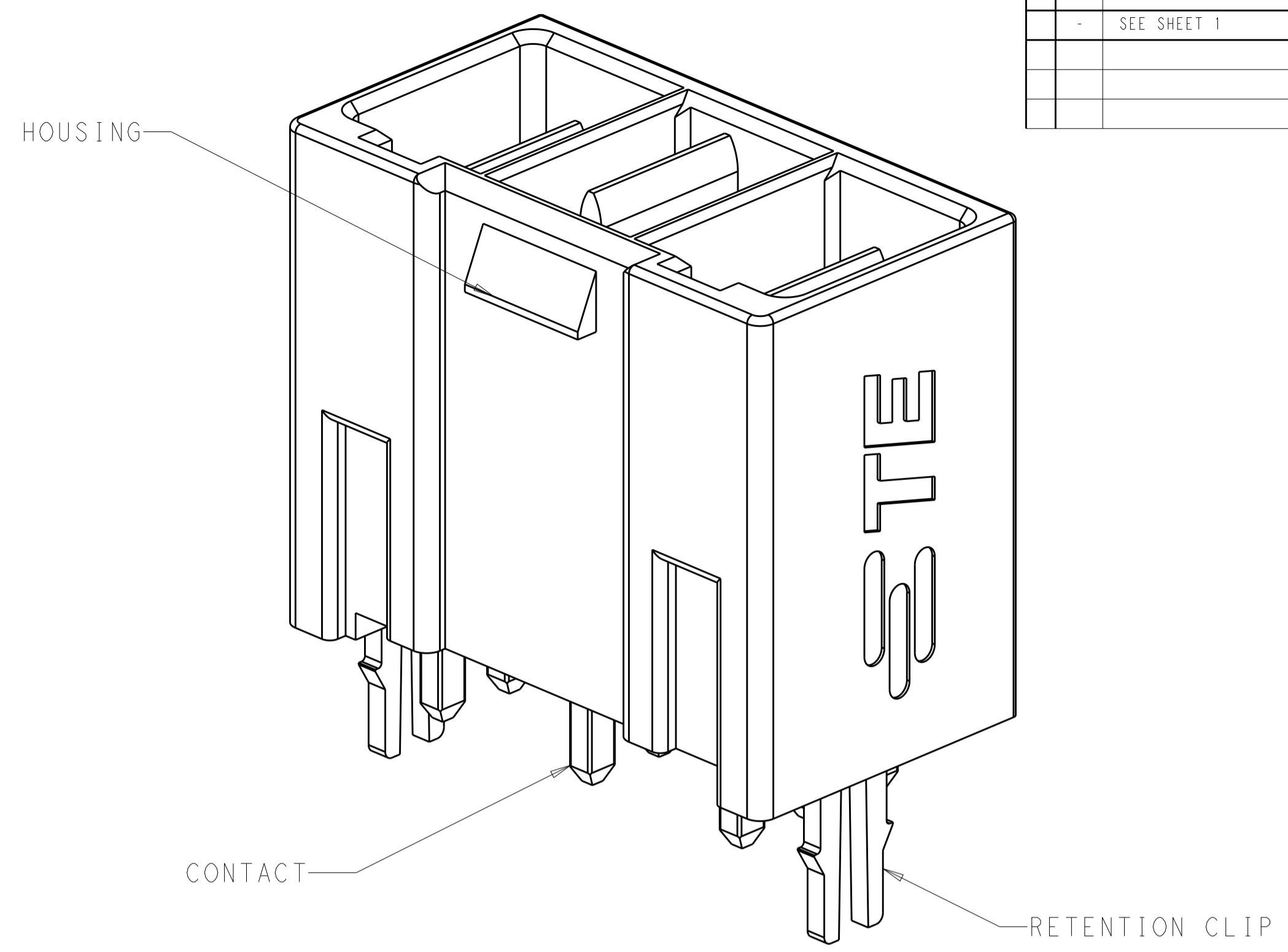
GROUND (7.2mm)	SOLDER	NO	2204585-7
POWER (5.7mm)	SOLDER	YES	2204585-6
POWER (5.7mm)	PRESS-FIT	YES	2204585-5
POWER (5.7mm)	SOLDER	NO	2204585-4
POWER (5.7mm)	PRESS-FIT	NO	2204585-3
GROUND (7.2mm)	SOLDER	NO	2204585-2
GROUND (7.2mm)	PRESS-FIT	NO	2204585-1
MIDDLE CONTACT (DIM.A)	TYPE	PROBE PROOF (SIDE PINS)	PART NUMBER

THIS DRAWING IS A CONTROLLED DOCUMENT.		DWN: SEAN ZHANG 22JUL2015	TE Connectivity
DIMENSIONS: mm		CHK: SUNY ZHAO 22JUL2015	
TOLERANCES UNLESS OTHERWISE SPECIFIED:		APVD: SUNY ZHAO 22JUL2015	NAME: 3-POSITION HEADER, VERTICAL ELCON Mini POWER CONNECTOR
0 PLC	±	PRODUCT SPEC	SIZE: A1
1 PLC	±0.5	APPLICATION SPEC	CAGE CODE: -
2 PLC	±0.25	108-128027	DRAWING NO: C=2204585
3 PLC	±	114-128029	SCALE: 4:1
4 PLC	±	WEIGHT: -	SHEET 1 OF 3
ANGLES	±	CUSTOMER DRAWING	REV: B3

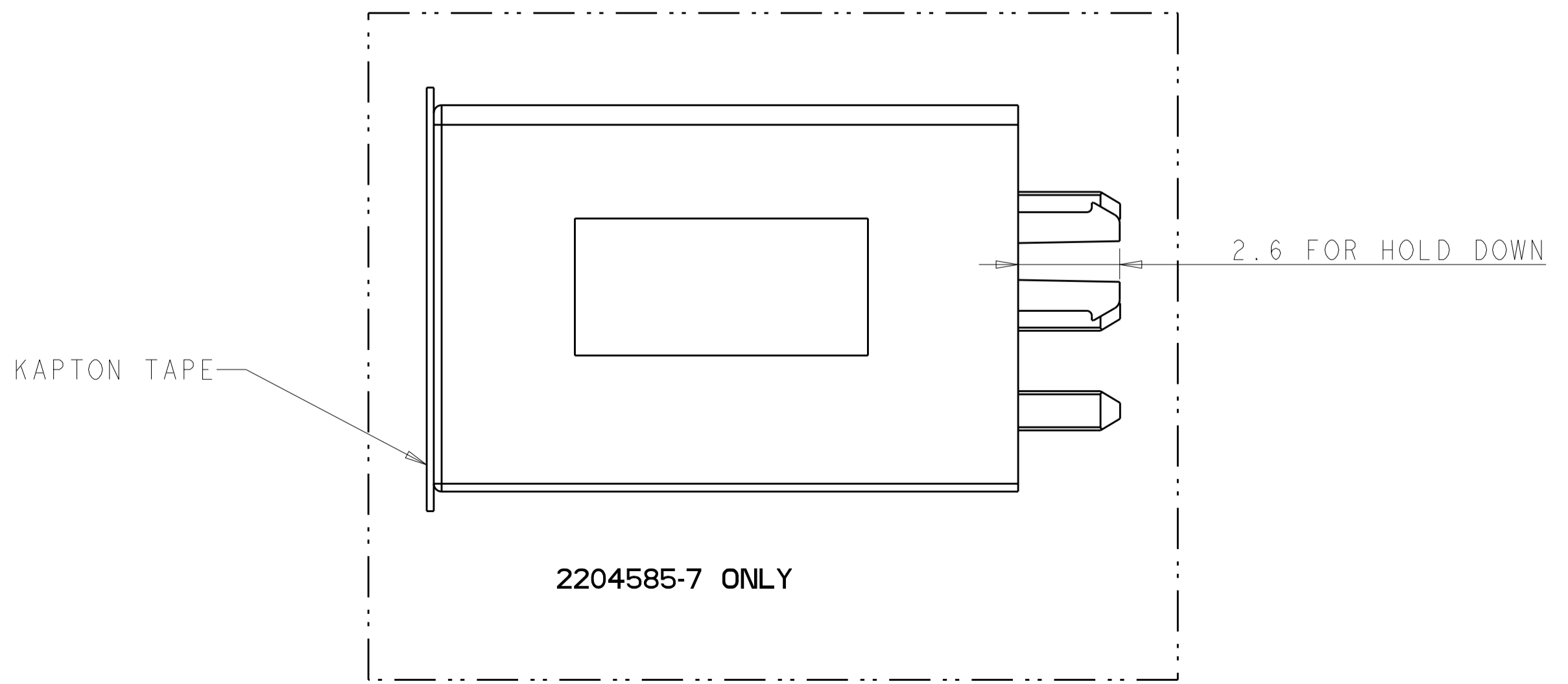
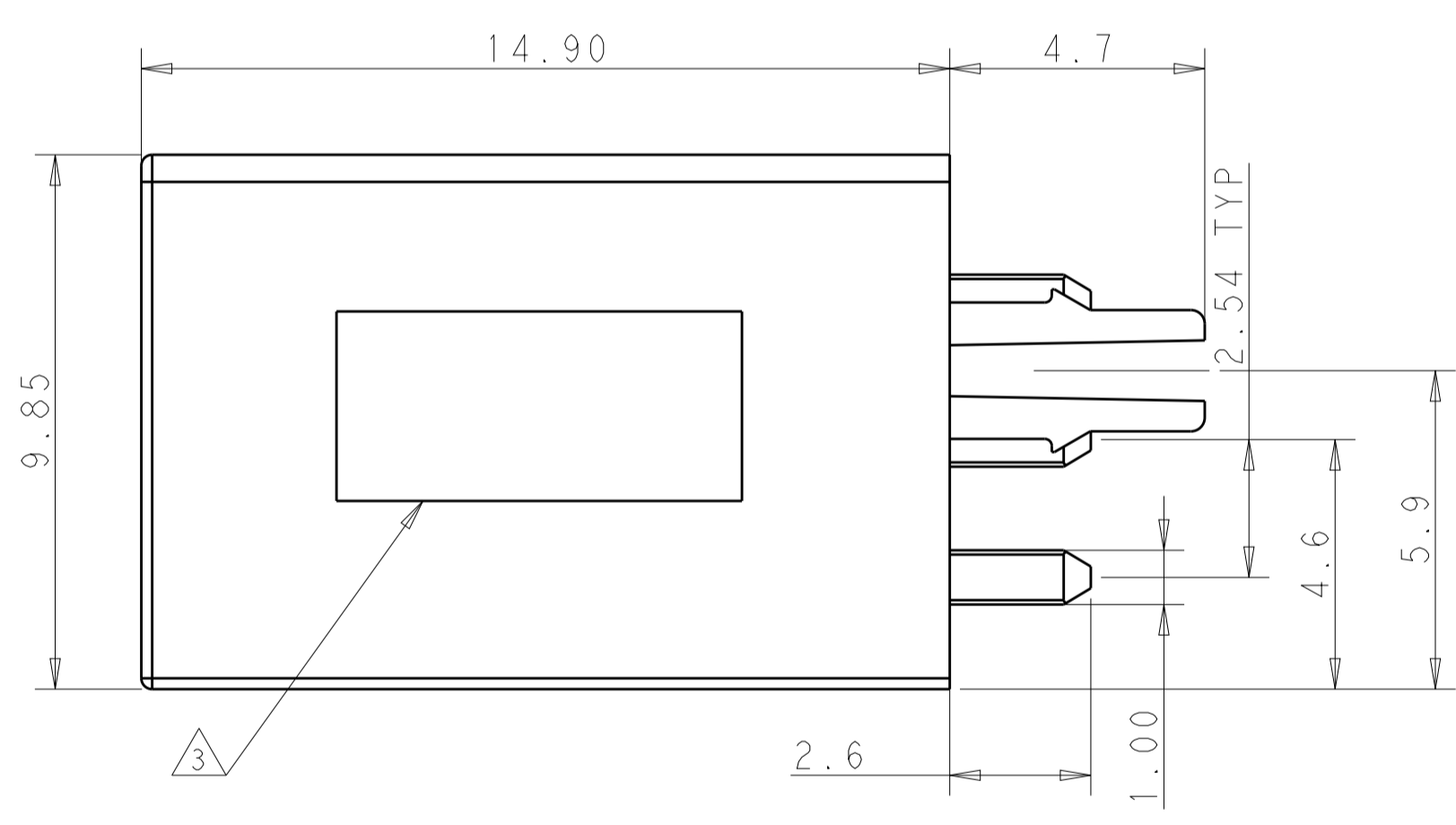
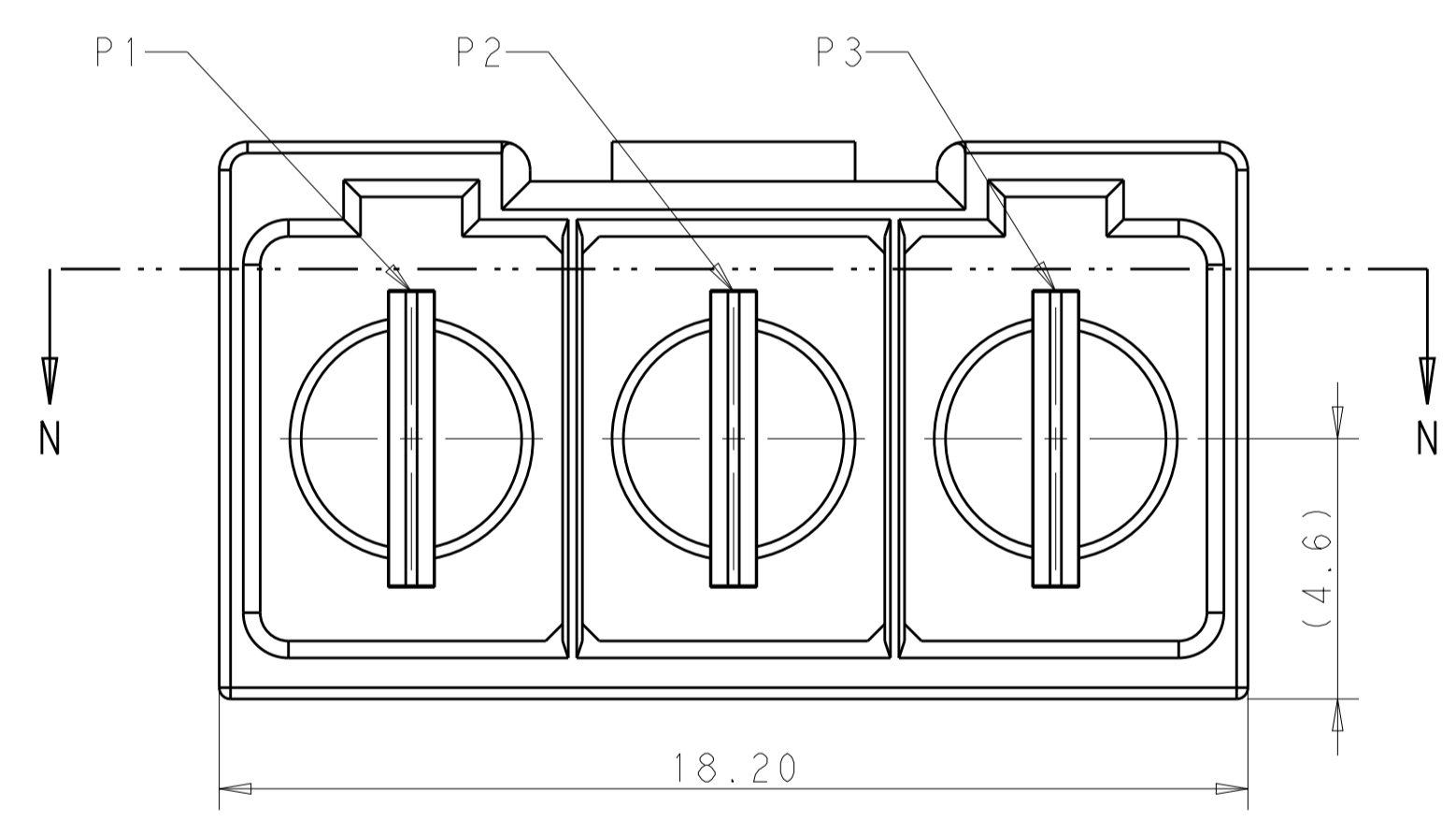
REVISIONS				
P.	LTH	DESCRIPTION	DATE	APPD
-	-	SEE SHEET 1	-	-



SECTION N-N

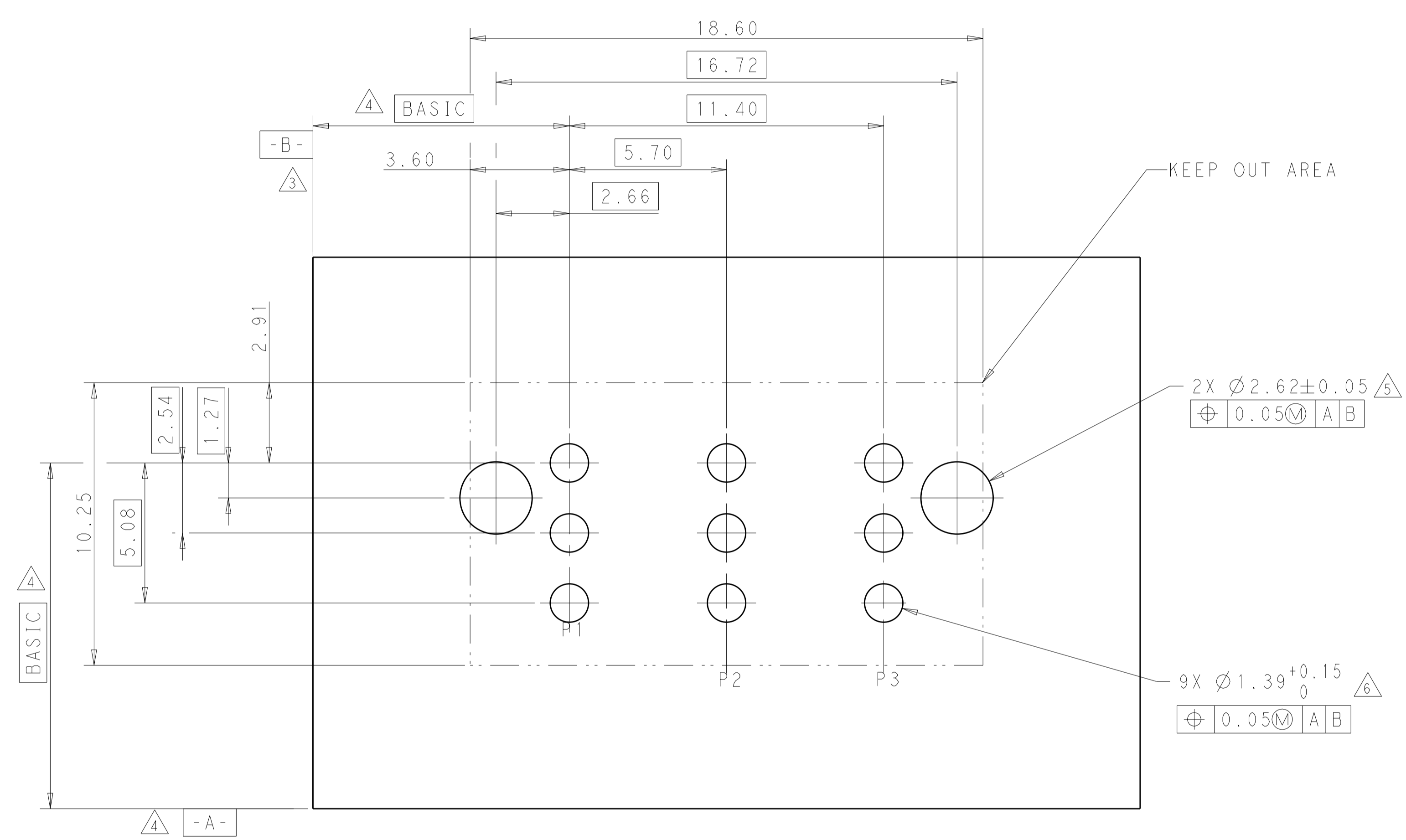


PART NUMBER: 2204585-2



THIS DRAWING IS A CONTROLLED DOCUMENT.		OWN: SEAN_ZHANG 22JUL2015	TE Connectivity
DIMENSIONS: mm		CHK: SUNY_ZHAO 22JUL2015	
TOLERANCES UNLESS OTHERWISE SPECIFIED:		APPD: SUNY_ZHAO 22JUL2015	NAME: 3-POSITION HEADER, VERTICAL ELCON Mini POWER CONNECTOR
0 PLC	±	PRODUCT SPEC	SIZE: A1
1 PLC	±0.5	APPLICATION SPEC	CAGE CODE: -
2 PLC	±0.25	108-128027	DRAWING NO: C=2204585
3 PLC	±	114-128029	RESTRICTED TO: -
4 PLC	±	WEIGHT: -	SCALE: 4:1
ANGLES	±	CUSTOMER DRAWING	SHEET 2 OF 3
MATERIAL: SEE NOTES	FINISH: SEE NOTES		REV: B3

REVISIONS				
P.	LTN	DESCRIPTION	DATE	APVD
-	-	SEE SHEET 1	-	-



RECOMMENDED PCB LAYOUT  
 VIEW FROM COMPONENT SIDE

THIS DRAWING IS A CONTROLLED DOCUMENT.		OWN: SEAN ZHANG 22JUL2015	TE Connectivity
DIMENSIONS: mm		CHK: SUNY ZHAO 22JUL2015	
TOLERANCES UNLESS OTHERWISE SPECIFIED:		APVD: SUNY ZHAO 22JUL2015	NAME: 3-POSITION HEADER, VERTICAL ELCON Mini POWER CONNECTOR
0 PLC ±	1 PLC ±0.5	PRODUCT SPEC: 108-128027	SIZE: A1
2 PLC ±0.25	3 PLC ±	APPLICATION SPEC: 114-128029	CAGE CODE: -
4 PLC ±	ANGLES ±	WEIGHT: -	DRAWING NO: C=2204585
MATERIAL: SEE NOTES	FINISH: SEE NOTES	CUSTOMER DRAWING	RESTRICTED TO: -
SCALE: 4:1		SHEET: 3 OF 3	REV: B.3

## X-ON Electronics

Largest Supplier of Electrical and Electronic Components

*Click to view similar products for [Heavy Duty Power Connectors](#) category:*

*Click to view products by [TE Connectivity](#) manufacturer:*

Other Similar products are found below :

[647757-1](#) [6643411-1](#) [6646058-2](#) [6646137-1](#) [6646138-1](#) [6646479-1](#) [6646608-1](#) [6646786-1](#) [6646940-1](#) [6651091-1](#) [6651525-1](#) [6651529-1](#)  
[6651788-1](#) [696475-1](#) [702-32-01109](#) [703-25-02205](#) [73000005059](#) [73000005642](#) [73080255059](#) [73080965046](#) [765-15-0080A](#) [765-16-0080B](#)  
[765-18-0080D](#) [829992-1](#) [902-77-02113](#) [PS00/A0620/6300](#) [PS25/A0420/63](#) [129-1J](#) [1409400](#) [AN0024023](#) [E6374G1](#) [e6389g2](#) [157-43GW8](#)  
[MS3117-14AC](#) [1643543-1](#) [1650540-1](#) [1651811-2](#) [1766260-1](#) [1766282-1](#) [1766966-1](#) [1791340000](#) [NLDFT-3-BL-L-S120-M40A](#) [NLDFT-N-](#)  
[W-L-C240-M40B](#) [NLS-2-R-C240-M40B](#) [NLS-N-W-C240-M40B](#) [NPS-3-BL-T6](#) [1986615-1](#) [2-1589900-8](#) [2199314-1](#) [KA8102](#)