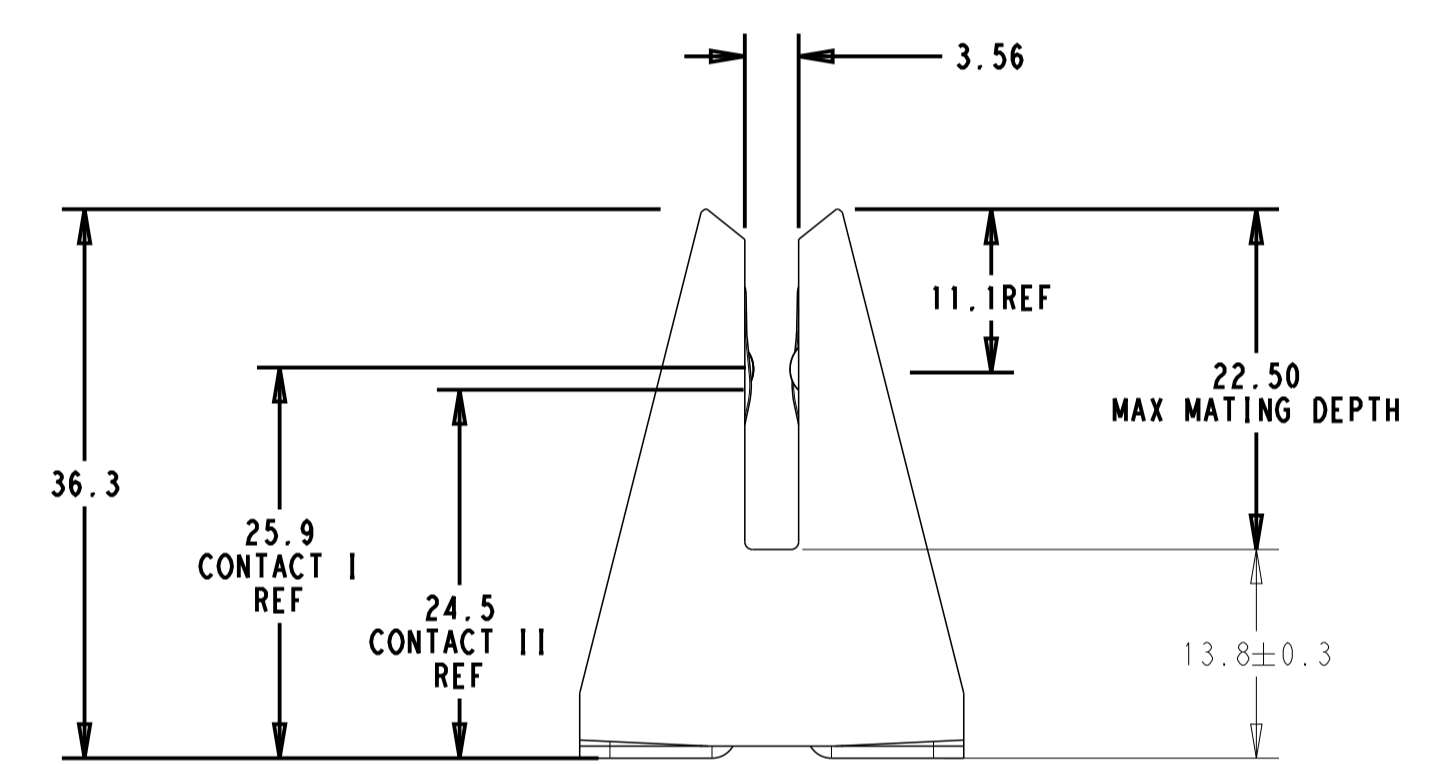
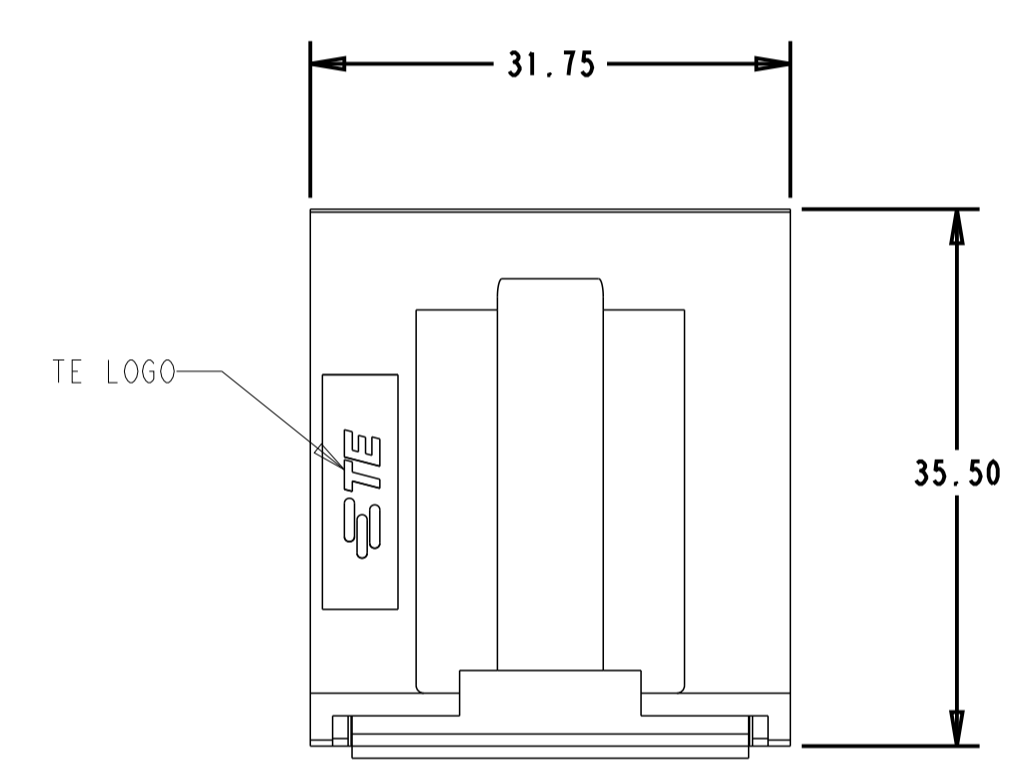
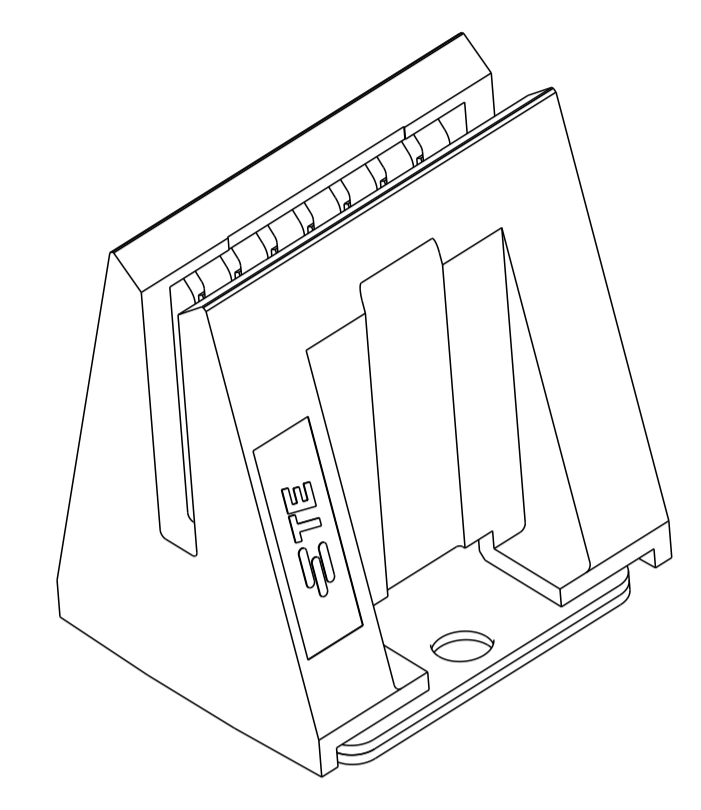
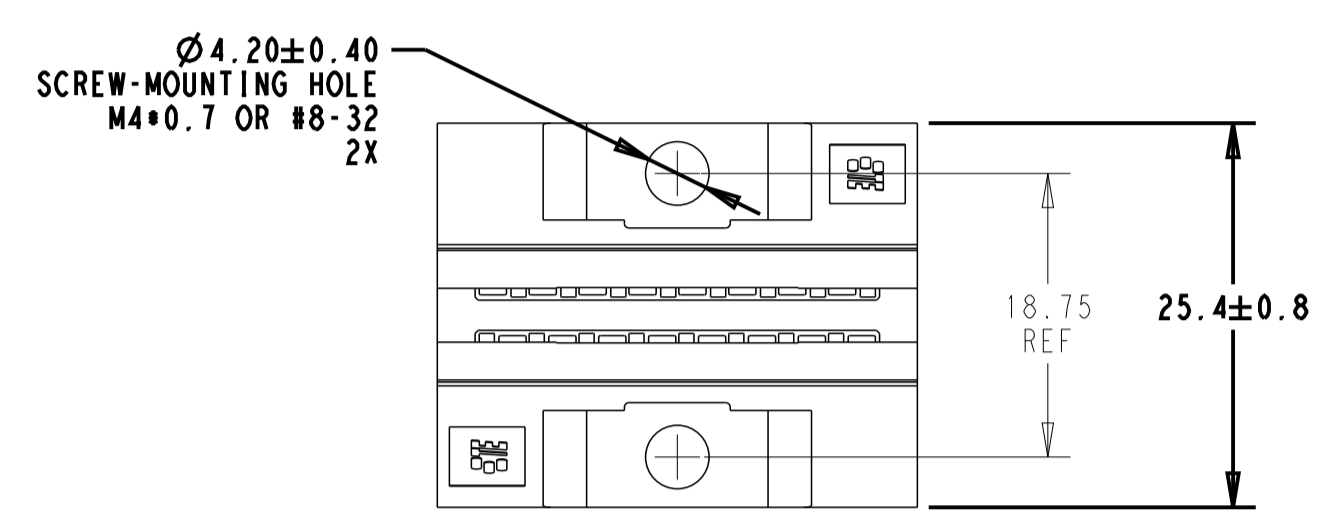
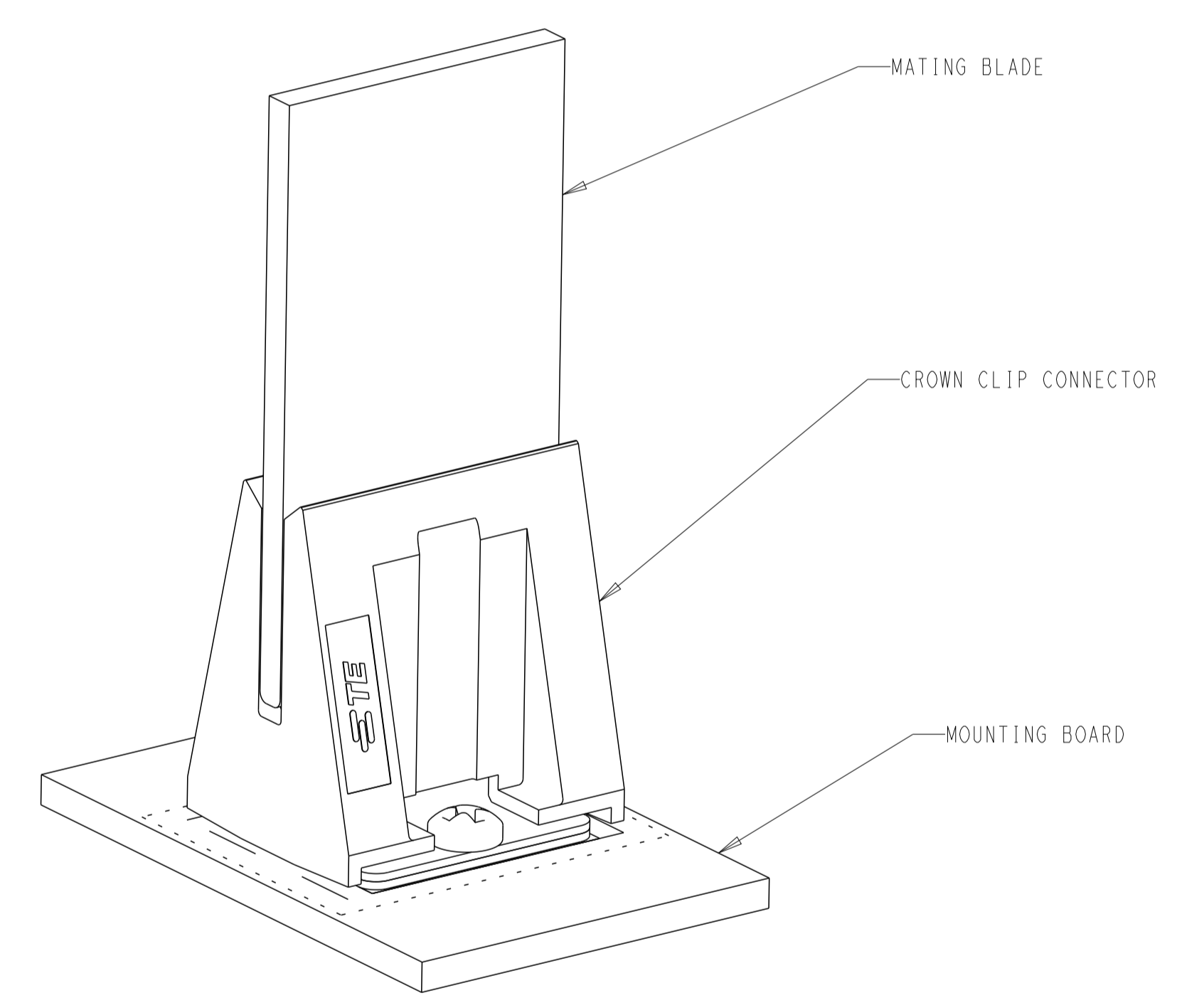


REVISIONS				
P	LTN	DESCRIPTION	DATE	APVD
A		PRODUCT DRAWING STATUS UPDATE	26OCT2022	ML SH

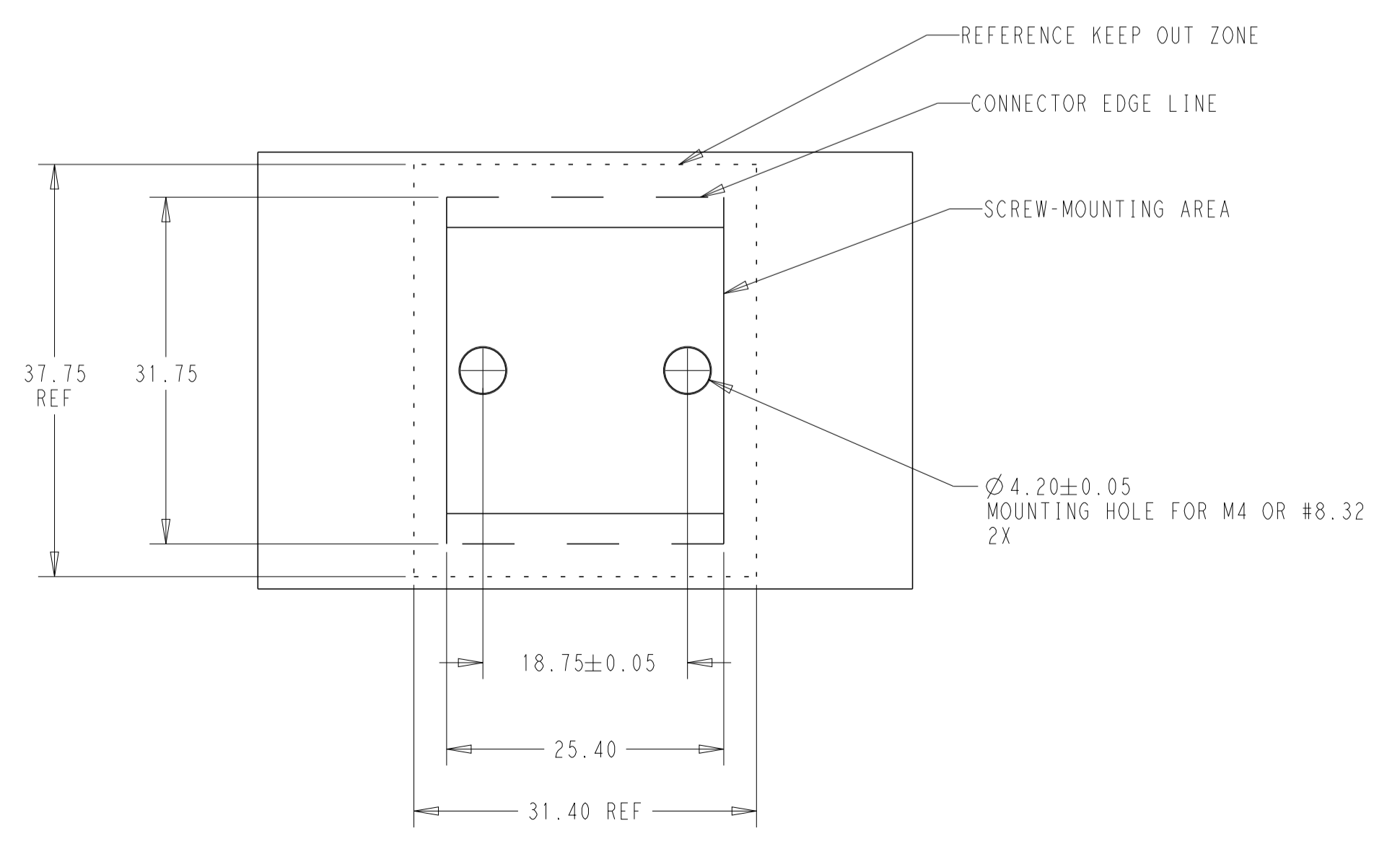
- NOTES: UNLESS OTHERWISE SPECIFIED
- 1 PART NUMBER AND DATE CODE
  - 2 MATERIAL:
    - HOUSING: THERMOPLASTIC, BLACK, UL94 V-0, HALOGEN-FREE.
    - CONTACT: HIGH CONDUCTIVITY COPPER ALLOY.
  - 3 PLATING:
    - GOLD OR EQUIVALENT PLATING OVER NICKEL BASE-PLATED ON PRODUCT CONTACT INTERFACE
  - 4. RECOMMENDED MATING BLADE:
    - MATERIAL: COPPER C10100/C10200/C11000
    - PLATING: 0.76um(30uinch) OR 0.38um(15uinch) GOLD PLATING ON CONTACT INTERFACE.
    - OVER 1.27um(50uinch) MIN MATTE NICKEL BASE-PLATING ON BUS BAR BOARD.
  - 5. RECOMMENDED BOTTOM BUS BAR BOARD:
    - MATERIAL: COPPER C10100/C10200/C11000
    - PLATING: 1.27um(50uinch) MIN TIN PLATING ON SCREW-MOUNTING AREA.
    - OVER 1.27um(50uinch) MIN MATTE NICKEL BASE-PLATING ON BUS BAR BOARD.
  - 6. PCB SHALL BE ONE ALTERNATIVE OPTION OF BOTTOM BUS BAR BOARD. TO SCREW-MOUNT WITH CONNECTOR.



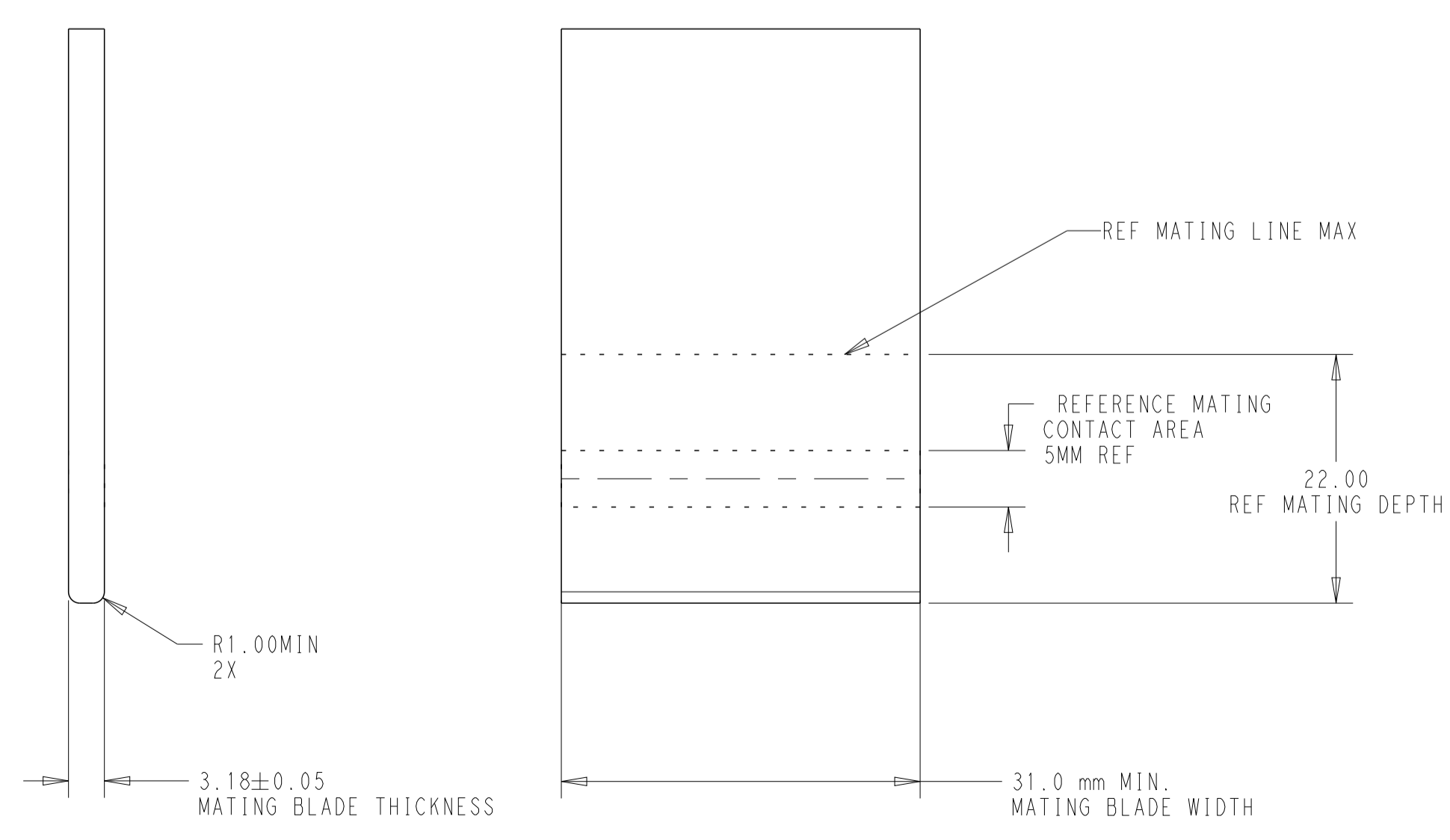
REFERENCE PRODUCT VIEW OF CROWN CLIP HC CONNECTOR  
 TE P/N: 2204700-1



SCALE 2:1  
 REFERENCE PRODUCT APPLICATION VIEW



REFERENCE BOTTOM BUS BAR OR PCB VIEW



REFERENCE MATING BLADE VIEW

3.18 ± 0.05 MATING BLADE THICKNESS		CROWN CLIP 4200 RISING POWER CONNECTOR		2204700-1
		DESCRIPTION		PART NUMBER
THIS DRAWING IS A CONTROLLED DOCUMENT.		OWN: MAC LIU 02JUN2020	TE Connectivity	
DIMENSIONS: mm		CHK: SUNY ZHAO 02JUN2020	NAME: CUSTOMER DRAWING	
TOLERANCES UNLESS OTHERWISE SPECIFIED:		APVD: SUNY ZHAO 02JUN2020	CROWN CLIP 4200 RISING POWER	
0 PLC ±0.5	1 PLC ±0.5	PRODUCT SPEC	BUS BAR CONNECTOR	
2 PLC ±0.30	3 PLC ±0.150	108-128066	SIZE: A1	
4 PLC ±0.150	ANGLES ±5°	APPLICATION SPEC	CAGE CODE: 2204700	
MATERIAL: 2	FINISH: 3	114-128068	RESTRICTED TO: -	
		WEIGHT: -	SCALE: 1:1	
		CUSTOMER DRAWING	SHEET 1 OF 1 REV A	

## X-ON Electronics

Largest Supplier of Electrical and Electronic Components

*Click to view similar products for [Heavy Duty Power Connectors](#) category:*

*Click to view products by [TE Connectivity](#) manufacturer:*

Other Similar products are found below :

[6646058-2](#) [6646137-1](#) [6646138-1](#) [6646940-1](#) [6651091-1](#) [6651525-1](#) [6651529-1](#) [696475-1](#) [702-32-01109](#) [73080255059](#) [73080965046](#)  
[7310205040001](#) [765-16-0080B](#) [765-18-0080D](#) [902-77-02113](#) [PS00/A0620/6300](#) [AN0024023](#) [154-42B7WM250](#) [MS3117-14AC](#) [1643543-1](#)  
[1766966-1](#) [1791340000](#) [NLDFT-3-BL-L-S120-M40A](#) [NLDFT-N-W-L-C240-M40B](#) [1926015-1](#) [NLS-3-BL-C240-M40B](#) [NLS-N-W-C240-](#)  
[M40B](#) [NPS-3-BL-T6](#) [2-1589900-8](#) [9300480317](#) [294-0091-01100](#) [296-0040-01100](#) [1-6609148-0](#) [A32595-0049](#) [1766249-1](#) [19000005132](#)  
[1926016-1](#) [1-966831-8](#) [AN0024202](#) [AN0264023](#) [279-0841-10100A](#) [281-0334-00100A](#) [RMSB4](#) [419-2083-301](#) [LCDX4/0-14B-X](#) [075-8519-](#)  
[001](#) [078238-1613](#) [07.470.3256.0](#) [09000005288](#) [09140240311](#)