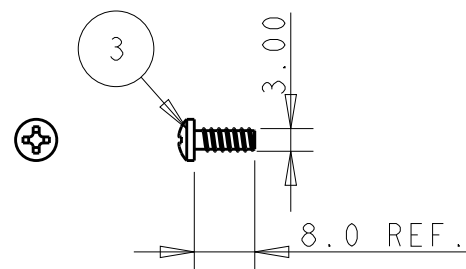
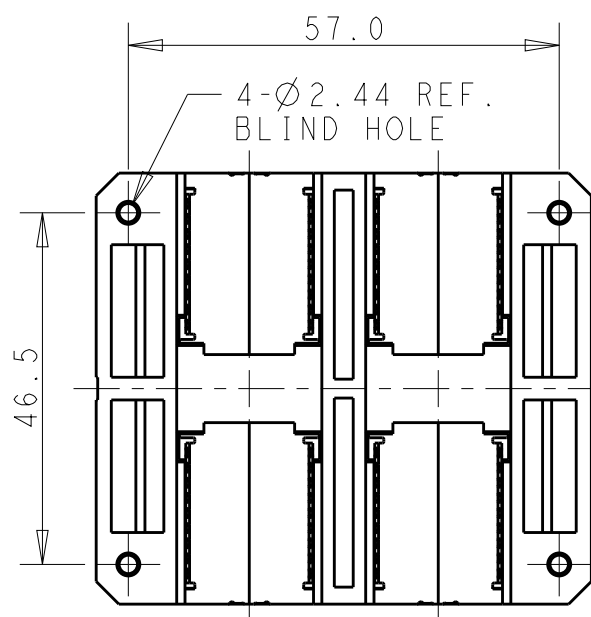
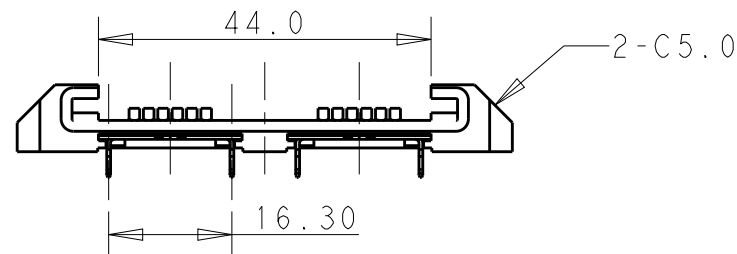
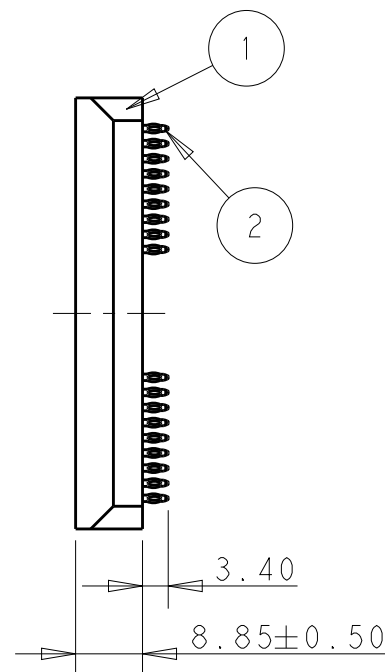
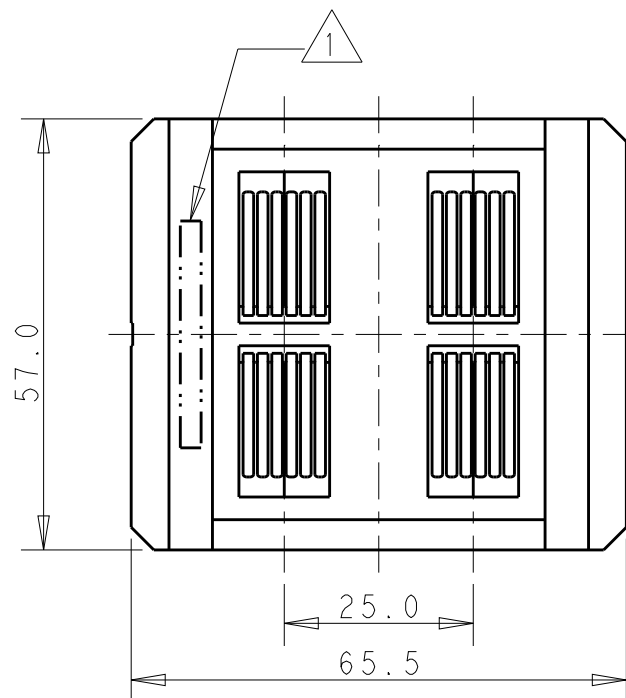


THIS DRAWING IS UNPUBLISHED. RELEASED FOR PUBLICATION 20
 © COPYRIGHT 20 BY - ALL RIGHTS RESERVED.

REVISIONS

P	LTR	DESCRIPTION	DATE	DWN	APVD
	A	INITIAL RELEASED	09APR2019	TZ	SZ



NOTES:

- 1. PART NUMBER AND DATE CODE.
- 2. MATERIAL:
HOUSING: THERMO PLASTIC, COLOR:BLACK.
CONTACT: COPPER ALLOY.
SCREW: STEEL.
- 3. FINISH:
CONTACT: PERFORMANCE BASED PLATING;
SCREW:ZINC PLATING OVER ALL.
- 4. PCB HOLE:
DRILLED DIMENSION:1.150±0.025 MM;
PLATING:0.0076 MM MIN. Sn OVER 0.025~0.076 MM Cu PLATING;
PLATED DIMENSION:1.020±0.050 MM.
- 5.RECOMMENDED SCREW TORQUE:0.50±0.10 N*M.
- 6.LOW Br/CI AS DEFINED IN TEC-138-702.

PART NUMBER:2204740-1

ITEM	DESCRIPTION	QUANTITY	MATERIAL	FINISH
3	SELF-TAPING SCREW, Ø3.00	4	2	3
2	CONTACT	4	2	3
1	HOUSING	1	2	

THIS DRAWING IS A CONTROLLED DOCUMENT.		DWN 29-SEP-17 RADAR SUN	TE Connectivity	
DIMENSIONS: mm		CHK 29-SEP-17 SUNY ZHAO		
TOLERANCES UNLESS OTHERWISE SPECIFIED:		APVD 29-SEP-17 SUNY ZHAO	NAME 75A/POLE, DUAL POLE SLIDING POWER CONNECTOR	
0 PLC ±-		PRODUCT SPEC 108-128065	SIZE CAGE CODE DRAWING NO RESTRICTED TO	
1 PLC ±0.50		APPLICATION SPEC 114-128067	A300779 C=2204740	
2 PLC ±0.25		WEIGHT -	SCALE 1:1 SHEET 1 OF 2 REV A	
3 PLC ±0.05				
4 PLC ±-				
ANGLES ±-				
MATERIAL -				
FINISH -				
		CUSTOMER DRAWING		

4

3

2

1

THIS DRAWING IS UNPUBLISHED.

RELEASED FOR PUBLICATION

20

© COPYRIGHT 20

BY -

ALL RIGHTS RESERVED.

REVISIONS

P	LTR	DESCRIPTION	DATE	DWN	APVD
-	-	SEE SHEET 1	-	-	-

$\triangle 4$
 $\varnothing 1.020$ TYP. PLATED THROUGH HOLE
 $\varnothing 3.500$ TYP. THROUGH HOLE

1.200
 2.000(PITCH)
 46.500
 16.900
 8.700
 41.300
 57.000

RECOMMENDED PCB LAYOUT
THICKNESS=2.20±0.22 MM

2-15.00 PLATING AREA
 25.00
 48.00

RECOMMENDED MATED BUS BAR PCB
0.0025MM MIN. NICKEL + 0.000375MM MIN. GOLD PLATING;
THICKNESS=1.60±0.16 MM.

THIS DRAWING IS A CONTROLLED DOCUMENT.

DWN 29-SEP-17

RADAR SUN

CHK 29-SEP-17

SUNY ZHAO

APVD 29-SEP-17

SUNY ZHAO

PRODUCT SPEC

108-128065

APPLICATION SPEC

114-128067

WEIGHT

-

CUSTOMER DRAWING

TE Connectivity

NAME
75A/POLE, DUAL POLE
SLIDING POWER CONNECTOR

SIZE CAGE CODE DRAWING NO

A300779 C-2204740

RESTRICTED TO

-

SCALE 1:1

SHEET 2 OF 2

REV A

DIMENSIONS:

mm

TOLERANCES UNLESS OTHERWISE SPECIFIED:

0 PLC	±-
1 PLC	±0.50
2 PLC	±0.25
3 PLC	±0.05
4 PLC	±-
ANGLES	±-

MATERIAL

-

FINISH

-

1470-19 (3/13)

X-ON Electronics

Largest Supplier of Electrical and Electronic Components

Click to view similar products for [Heavy Duty Power Connectors](#) category:

Click to view products by [TE Connectivity](#) manufacturer:

Other Similar products are found below :

[647757-1](#) [6643411-1](#) [6646058-2](#) [6646137-1](#) [6646138-1](#) [6646479-1](#) [6646608-1](#) [6646786-1](#) [6646940-1](#) [6651091-1](#) [6651525-1](#) [6651529-1](#)
[6651788-1](#) [696475-1](#) [702-32-01109](#) [703-25-02205](#) [73000005059](#) [73000005642](#) [73080255059](#) [73080965046](#) [765-15-0080A](#) [765-16-0080B](#)
[765-18-0080D](#) [829992-1](#) [902-77-02113](#) [PS00/A0620/6300](#) [PS25/A0420/63](#) [129-1J](#) [1409400](#) [AN0024023](#) [E6374G1](#) [e6389g2](#) [157-43GW8](#)
[MS3117-14AC](#) [1643543-1](#) [1650540-1](#) [1651811-2](#) [1766260-1](#) [1766282-1](#) [1766966-1](#) [1791340000](#) [NLDFT-3-BL-L-S120-M40A](#) [NLDFT-N-](#)
[W-L-C240-M40B](#) [NLS-2-R-C240-M40B](#) [NLS-N-W-C240-M40B](#) [NPS-3-BL-T6](#) [1986615-1](#) [2-1589900-8](#) [2199314-1](#) [KA8102](#)