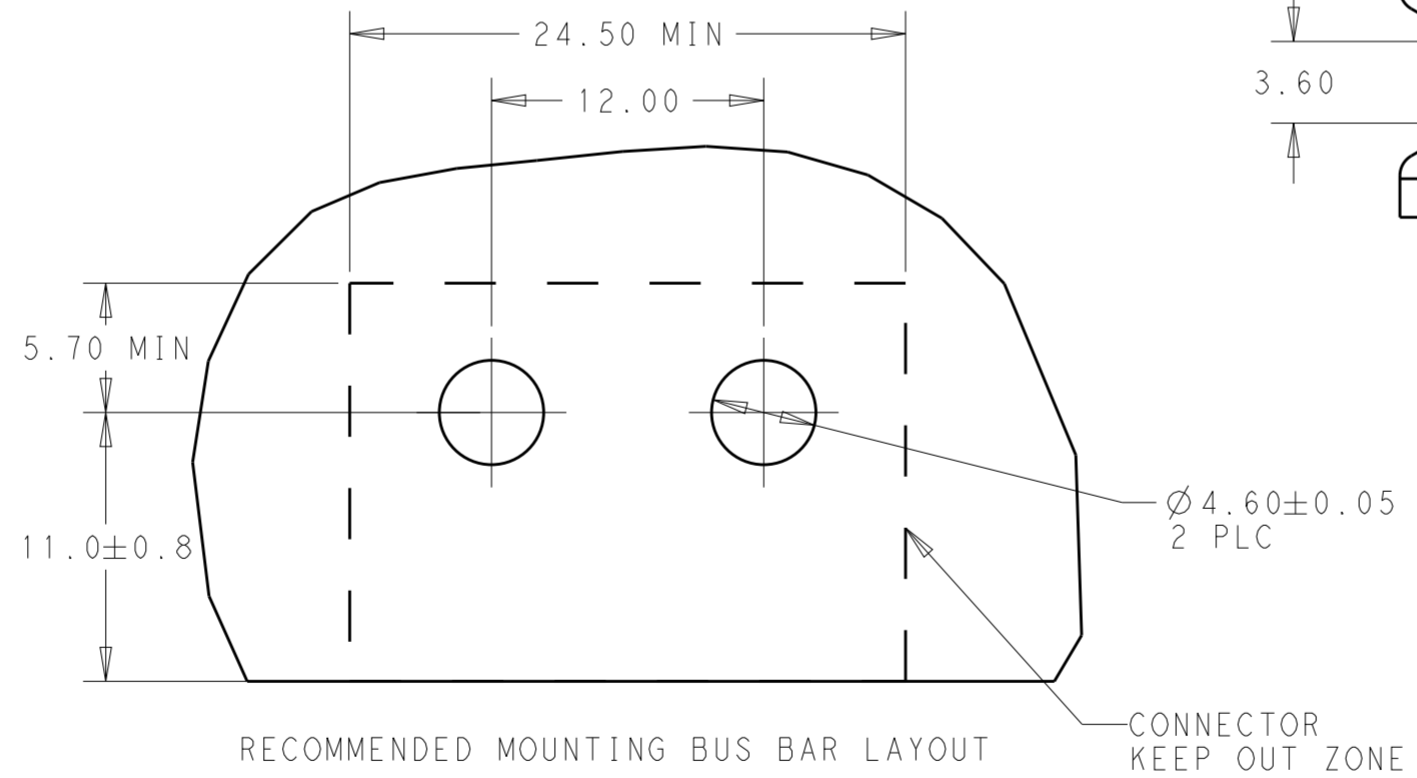
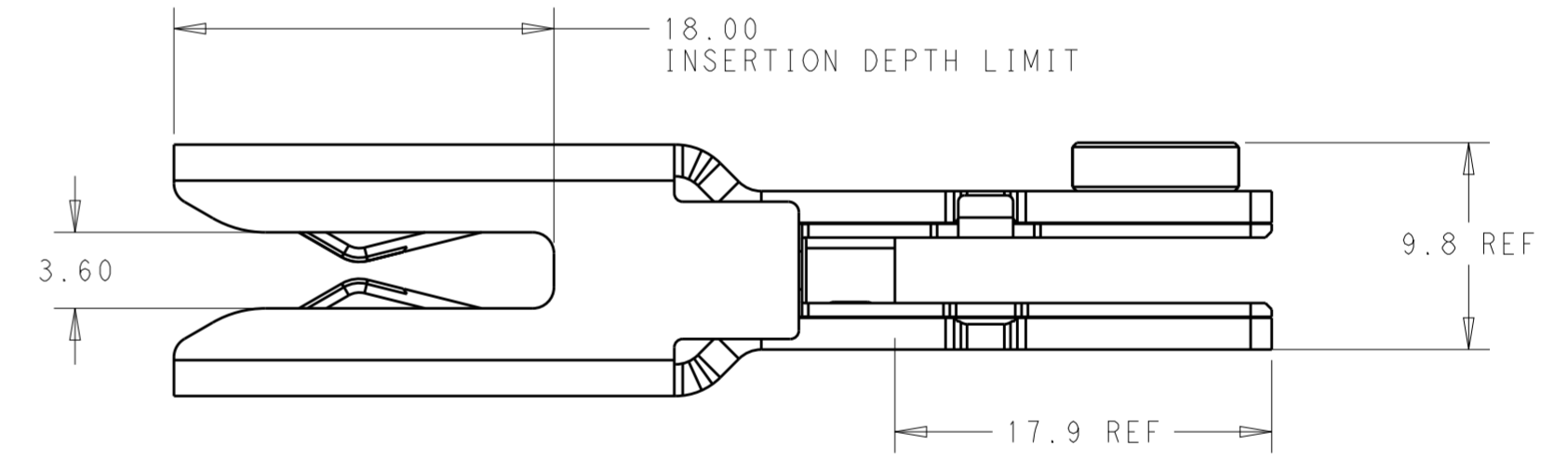
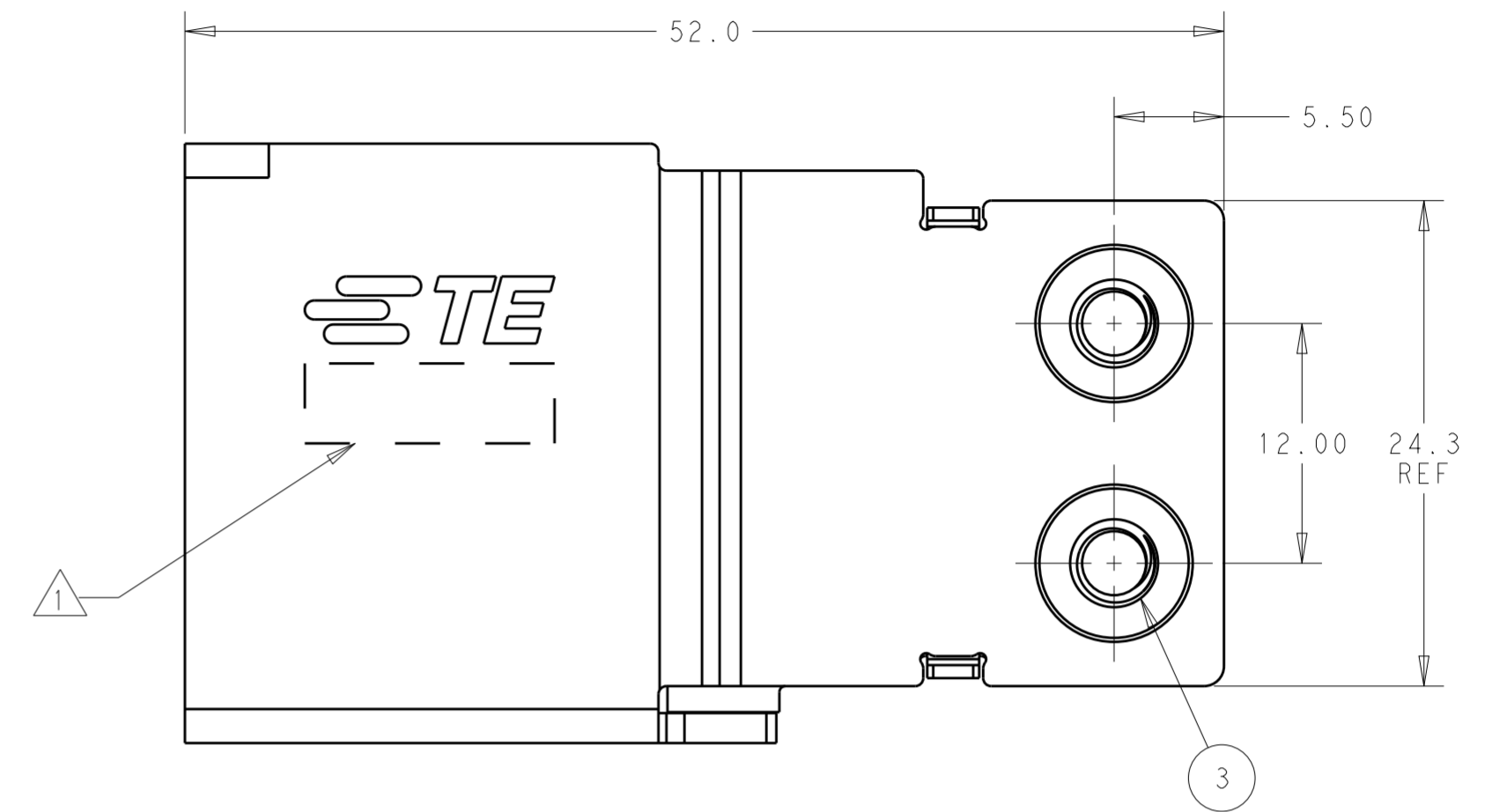
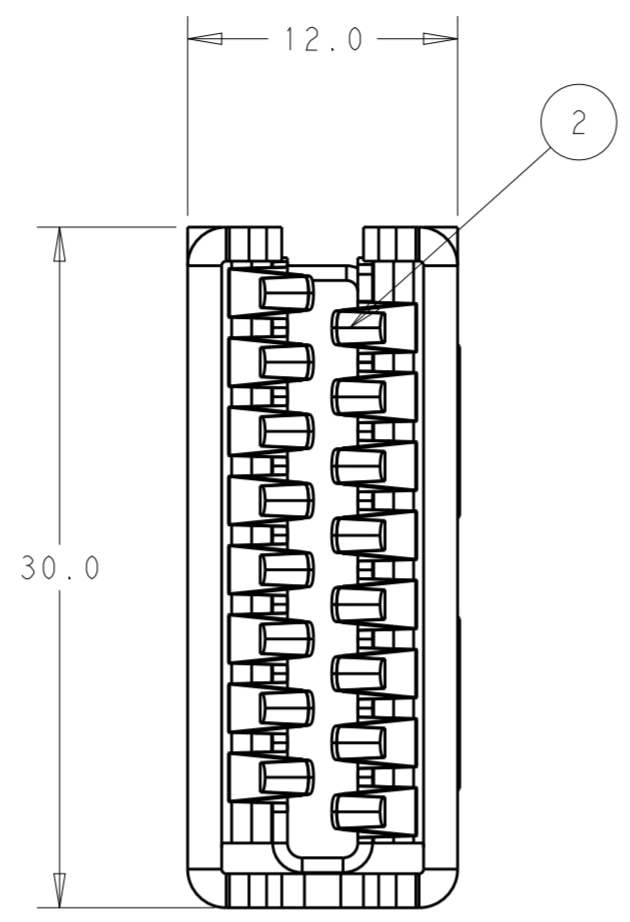
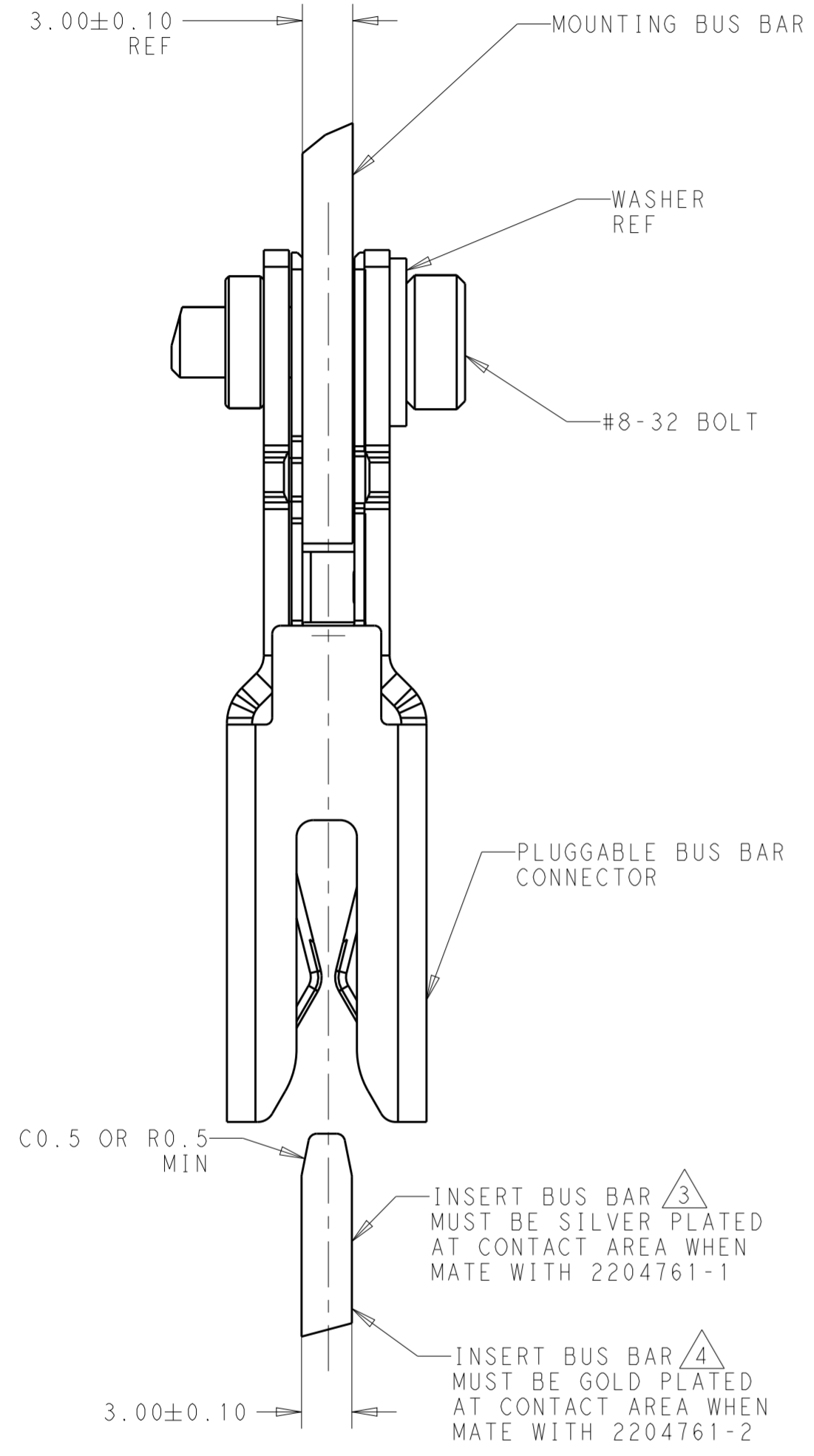


THIS DRAWING IS UNPUBLISHED. RELEASED FOR PUBLICATION 20  
 © COPYRIGHT 20 BY - ALL RIGHTS RESERVED.

REVISIONS					
P	LTR	DESCRIPTION	DATE	DWN	APVD
6		UPDATE FOR MASS PRODUCTION	13MAR2019	AL	SZ
7		REMOVE PRELIMINARY MARK	03DEC2019	AL	SZ



- NOTES:
- ① PART NUMBER AND DATECODE TO BE MARKED IN AREA SHOWN
  - ② MATERIAL: SHOWN IN BOM LIST
  - ③ BUS BAR MUST BE SILVER PLATING ON CONTACT AREA WHEN MATE WITH 2204761-1
  - ④ BUS BAR MUST BE GOLD PLATING ON CONTACT AREA WHEN MATE WITH 2204761-2.

PART NUMBER	ITEMS	DESCRIPTION	MATERIAL	Q'TY	FINISH
2204761-2 ②	3	CLINCHING NUT #8-32 THREAD	STAINLESS STEEL	2	-
	2	CONTACT	COPPER ALLOY	1	GOLD
	1	OUTER HOUSING	STAINLESS STEEL	1	-
2204761-1 ②	3	CLINCHING NUT #8-32 THREAD	STAINLESS STEEL	2	-
	2	CONTACT	COPPER ALLOY	1	SILVER
	1	OUTER HOUSING	STAINLESS STEEL	1	-

THIS DRAWING IS A CONTROLLED DOCUMENT.

DIMENSIONS: mm

TOLERANCES UNLESS OTHERWISE SPECIFIED:

0 PLC	±
1 PLC	±0.3
2 PLC	±0.2
3 PLC	±0.1
4 PLC	±0.0001
ANGLES	±
FINISH	±

MATERIAL: -

APVD: SUNY ZHAO 30 JUN 2016

CHK: SUNY ZHAO 30 JUN 2016

DWN: ANDY LI 30 JUN 2016

PRODUCT SPEC: 108-128012

APPLICATION SPEC: 114-2130

WEIGHT: -

CUSTOMER DRAWING

SCALE: 2:1

SHEET: 1 OF 1

REV: A

NAME: STAIGHT TYPE IN-LINE MOUNT PLUGGABLE BUS BAR CONNECTOR

SIZE: A2

DRAWING NO: C-2204761

RESTRICTED TO: -

## X-ON Electronics

Largest Supplier of Electrical and Electronic Components

*Click to view similar products for [Heavy Duty Power Connectors](#) category:*

*Click to view products by [TE Connectivity](#) manufacturer:*

Other Similar products are found below :

[647757-1](#) [6643411-1](#) [6646058-2](#) [6646137-1](#) [6646138-1](#) [6646479-1](#) [6646608-1](#) [6646786-1](#) [6646940-1](#) [6651091-1](#) [6651525-1](#) [6651529-1](#)  
[6651788-1](#) [696475-1](#) [702-32-01109](#) [703-25-02205](#) [73000005059](#) [73000005642](#) [73080255059](#) [73080965046](#) [765-15-0080A](#) [765-16-0080B](#)  
[765-18-0080D](#) [829992-1](#) [902-77-02113](#) [PS00/A0620/6300](#) [PS25/A0420/63](#) [129-1J](#) [1409400](#) [AN0024023](#) [E6374G1](#) [e6389g2](#) [157-43GW8](#)  
[MS3117-14AC](#) [1643543-1](#) [1650540-1](#) [1651811-2](#) [1766260-1](#) [1766282-1](#) [1766966-1](#) [1791340000](#) [NLDFT-3-BL-L-S120-M40A](#) [NLDFT-N-](#)  
[W-L-C240-M40B](#) [NLS-2-R-C240-M40B](#) [NLS-N-W-C240-M40B](#) [NPS-3-BL-T6](#) [1986615-1](#) [2-1589900-8](#) [2199314-1](#) [KA8102](#)