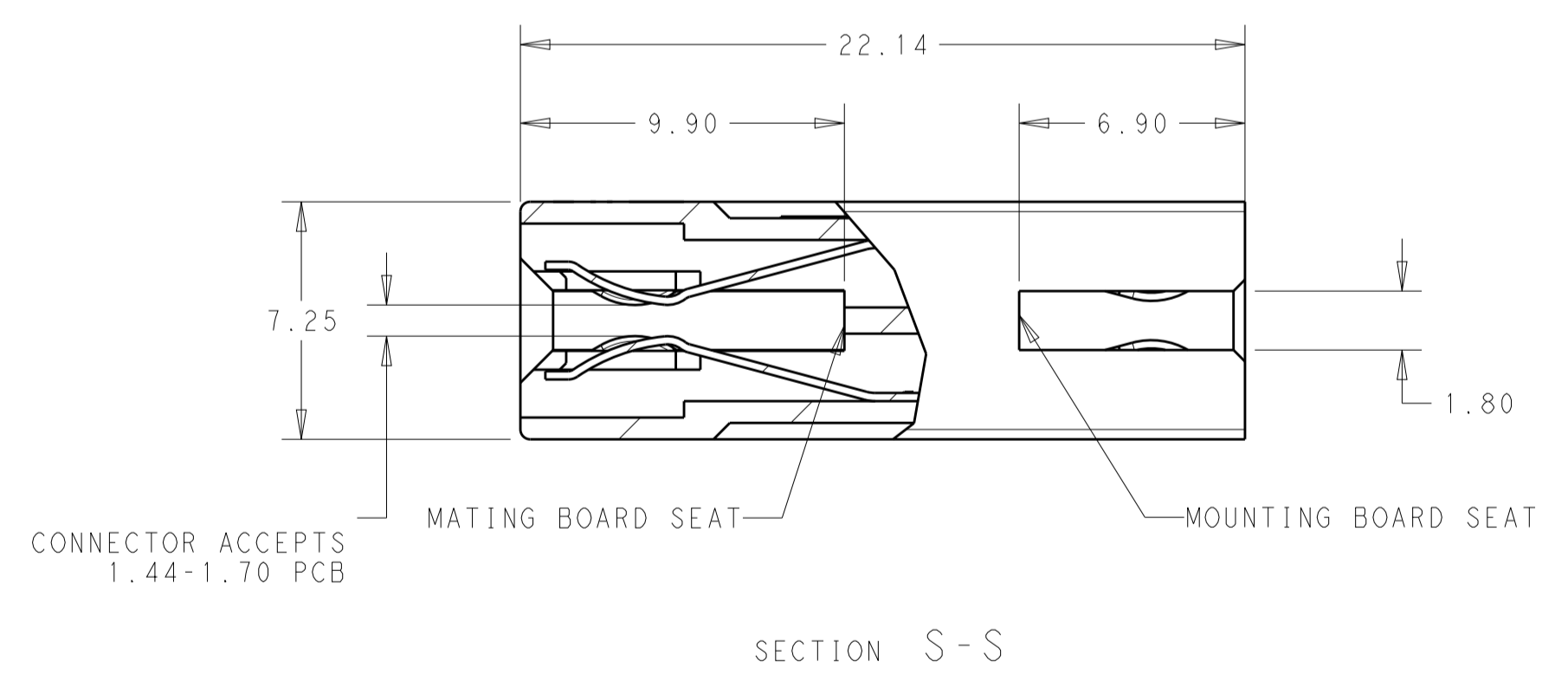
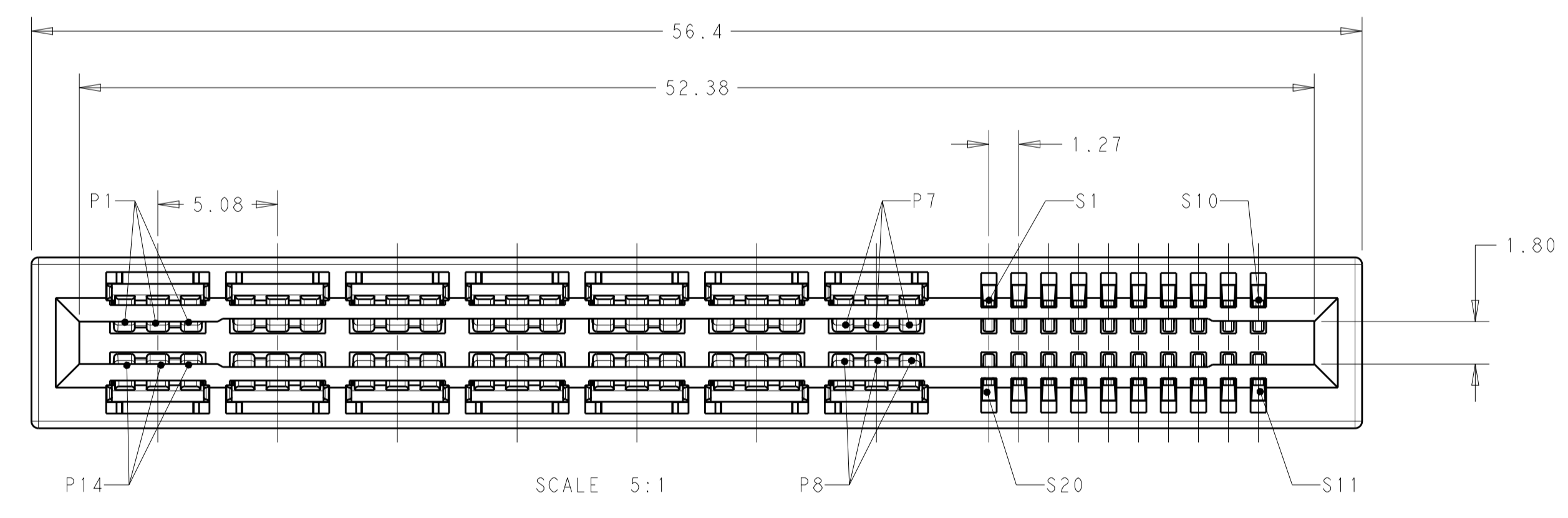
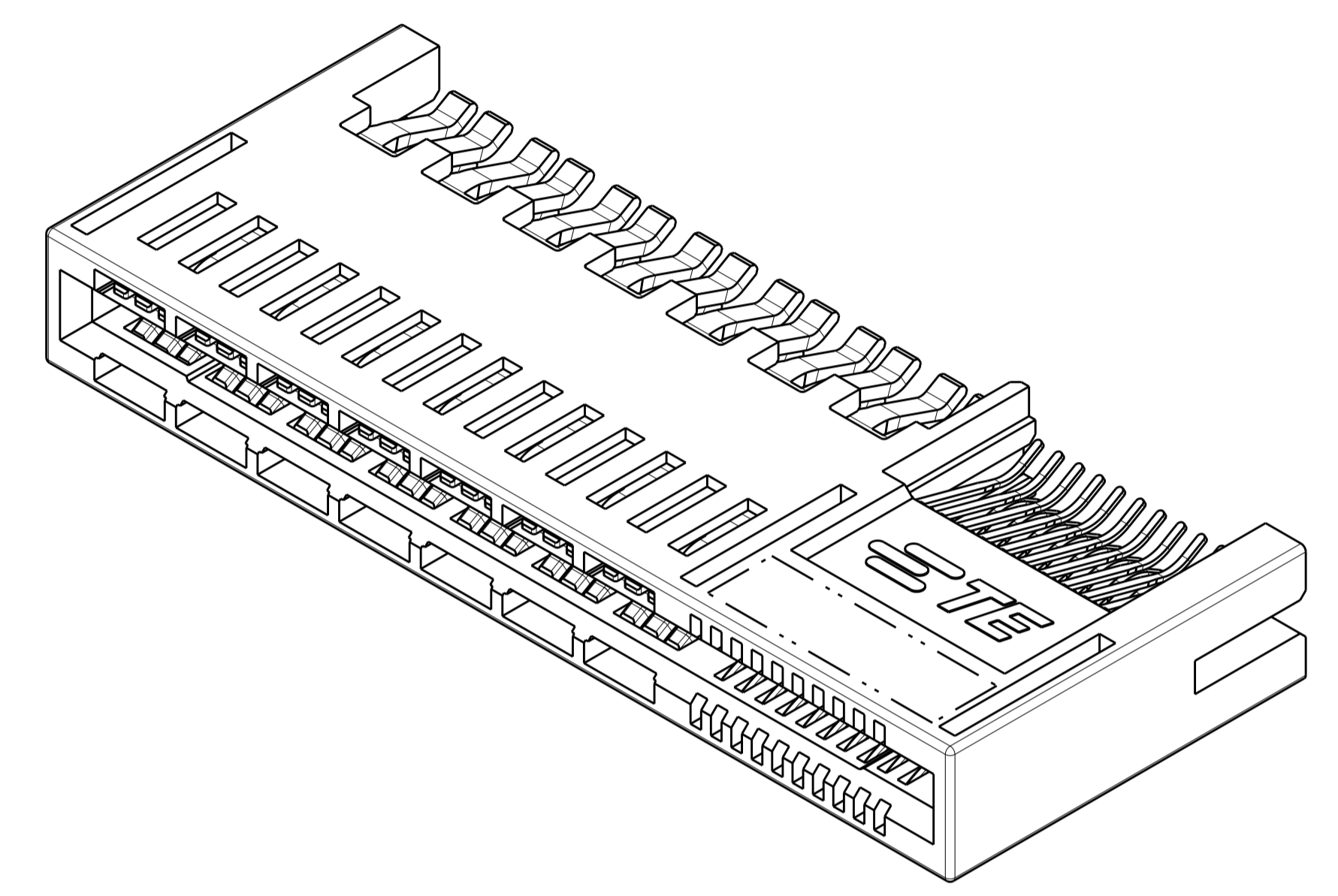
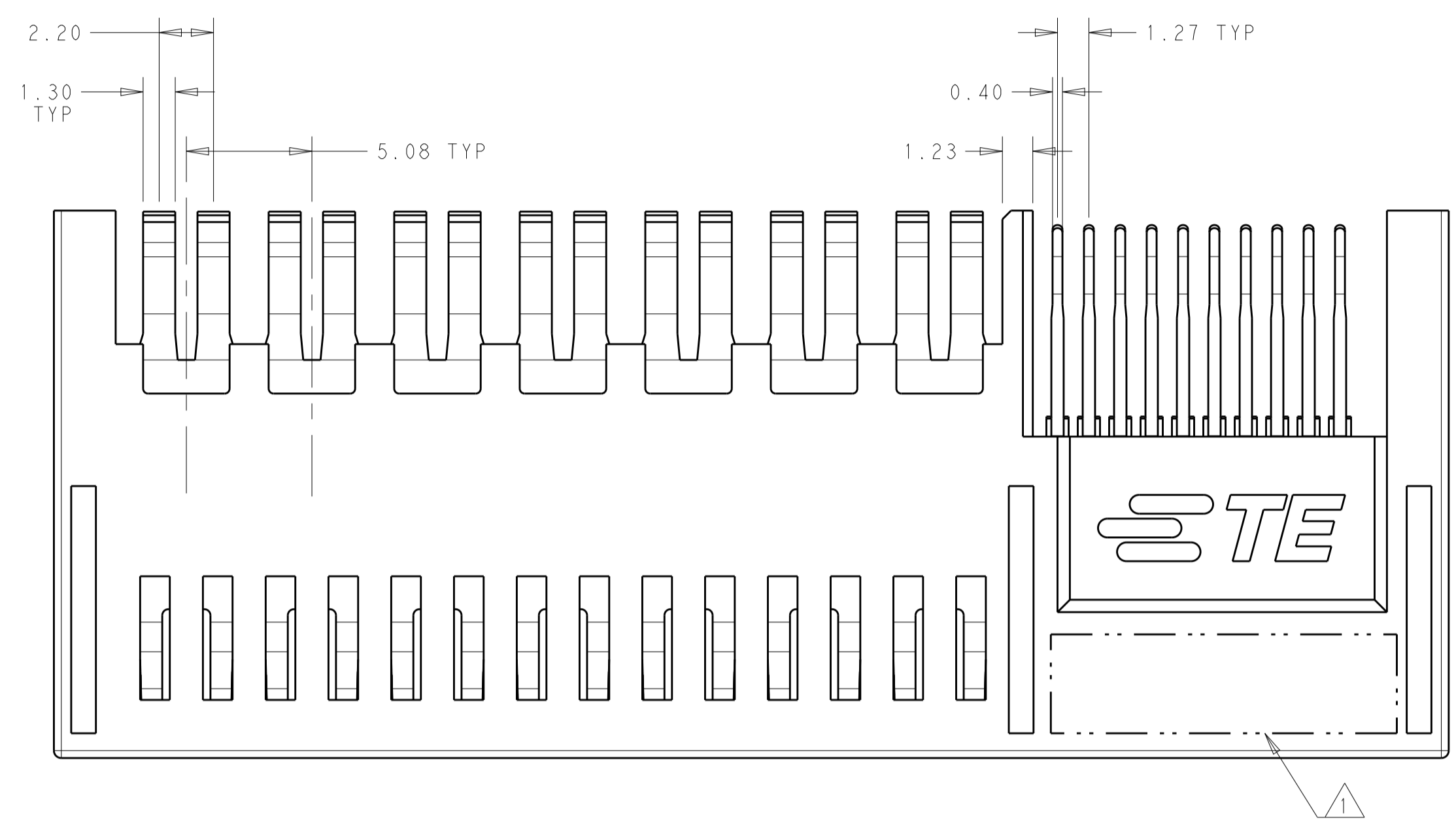


REVISIONS				
P	LTN	DESCRIPTION	DATE	APVD
A		FIRST RELEASE	12NOV2017	SZ SZ

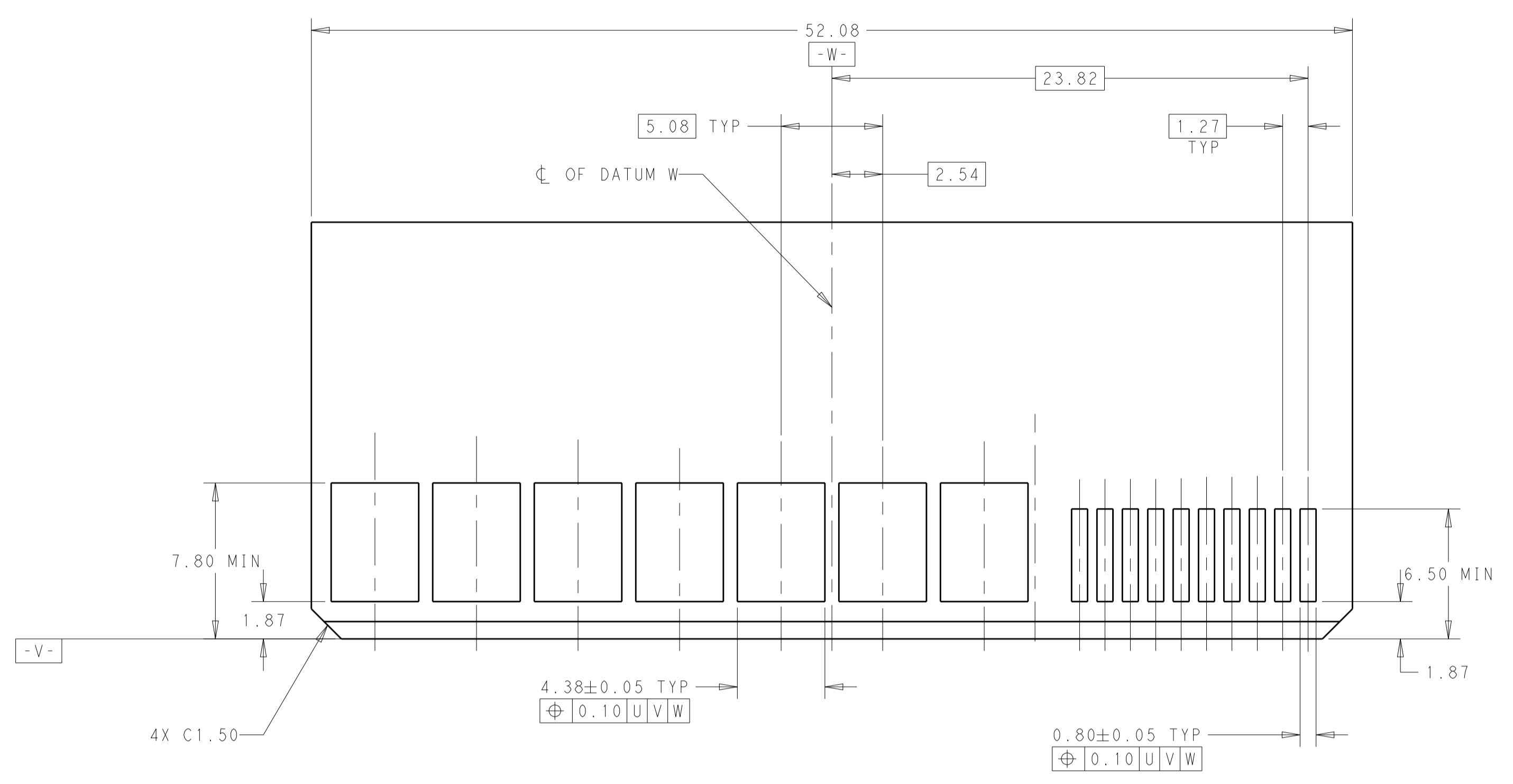
- ① PART NUMBER, AND DATE CODE TO BE MARKED IN AREA SHOWN
- ② MATERIAL: HOUSING - GLASS FILLED HIGH TEMP THERMO PLASTIC
 SIGNAL CONTACT - COPPER ALLOY
 POWER CONTACT - HIGH CONDUCTIVITY COPPER ALLOY
- ③ CONTACT PLATING: NOBLE METAL PLATING ON CONTACT FUNCTIONAL AREA OF POWER AND SIGNAL CONTACTS
- ④ DATUM AND BASIC DIMENSIONS ESTABLISHED BY CUSTOMER



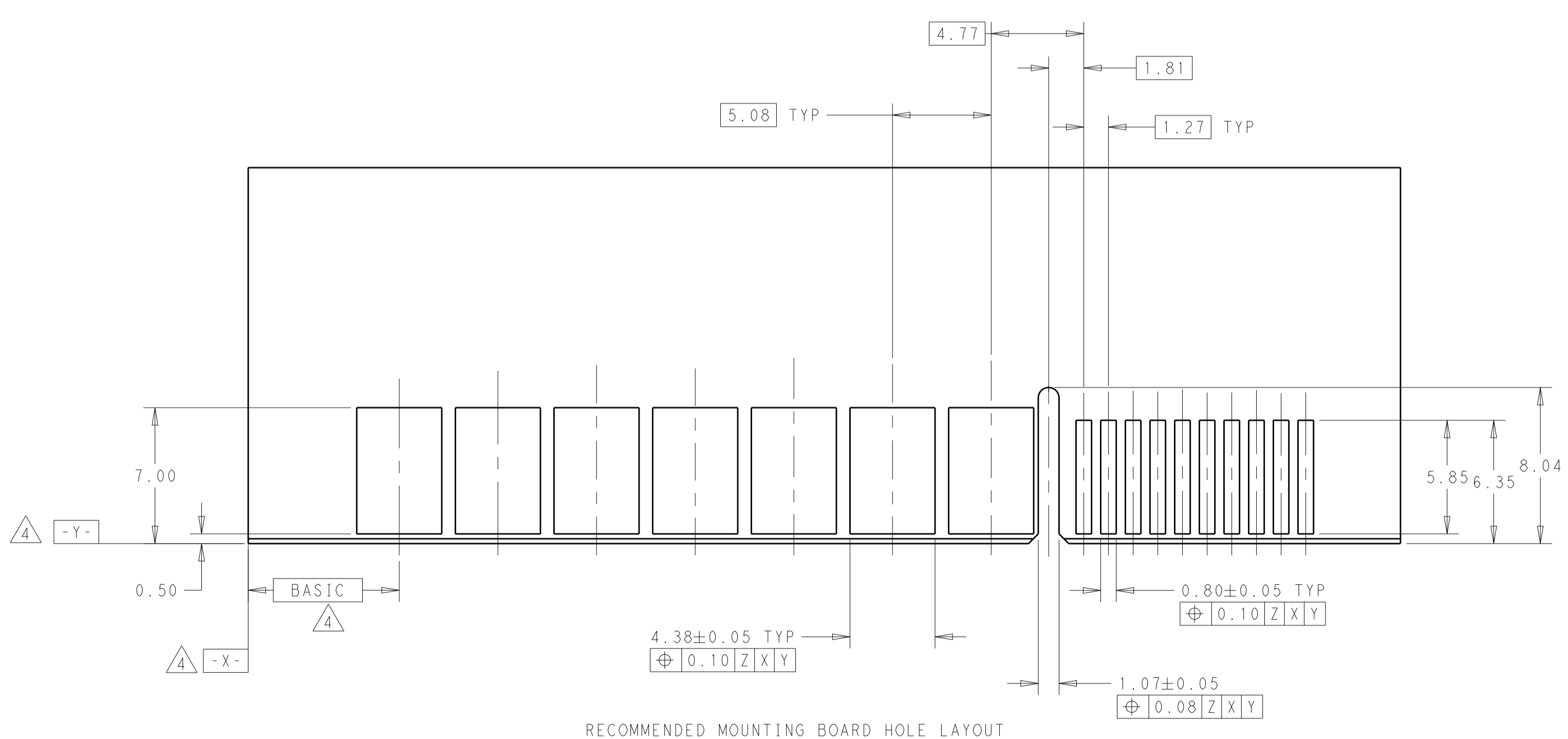
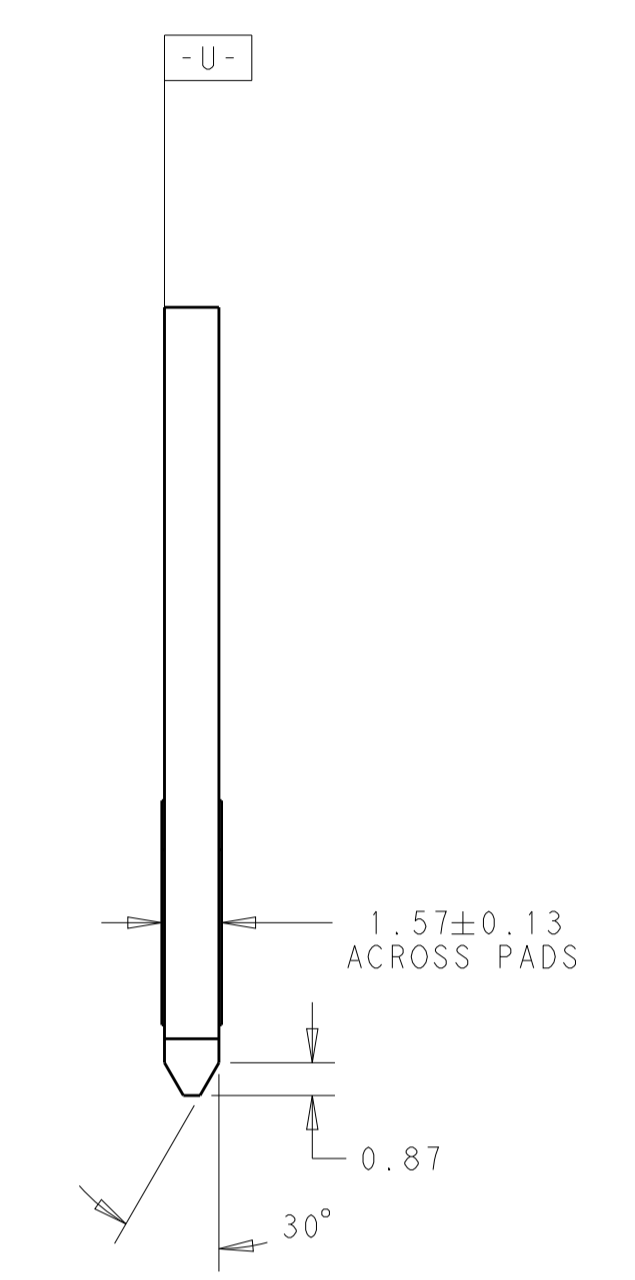
PART NUMBER 2204798-1

THIS DRAWING IS A CONTROLLED DOCUMENT.		DWN: SEAN_ZHANG 30OCT2016	TE Connectivity	
DIMENSIONS: mm		CHK: SUNY_ZHAO 24JAN2017	NAME: HIGH CURRENT SUPER CARD EDGE	
TOLERANCES UNLESS OTHERWISE SPECIFIED:		APVD: SUNY_ZHAO 24JAN2017	PRODUCT SPEC: 108-128053	
0 PLC ±0.25		APPLICATION SPEC: 114-128056	SIZE: A1	
1 PLC ±0.5		WEIGHT: -	CAGE CODE: -	
2 PLC ±0.25		CUSTOMER DRAWING	SCALE: 2:1	
3 PLC ±0.25			SHEET 1 OF 2	
4 PLC ±0.25			REV A	
ANGLES ±0.5				
FINISH: -				

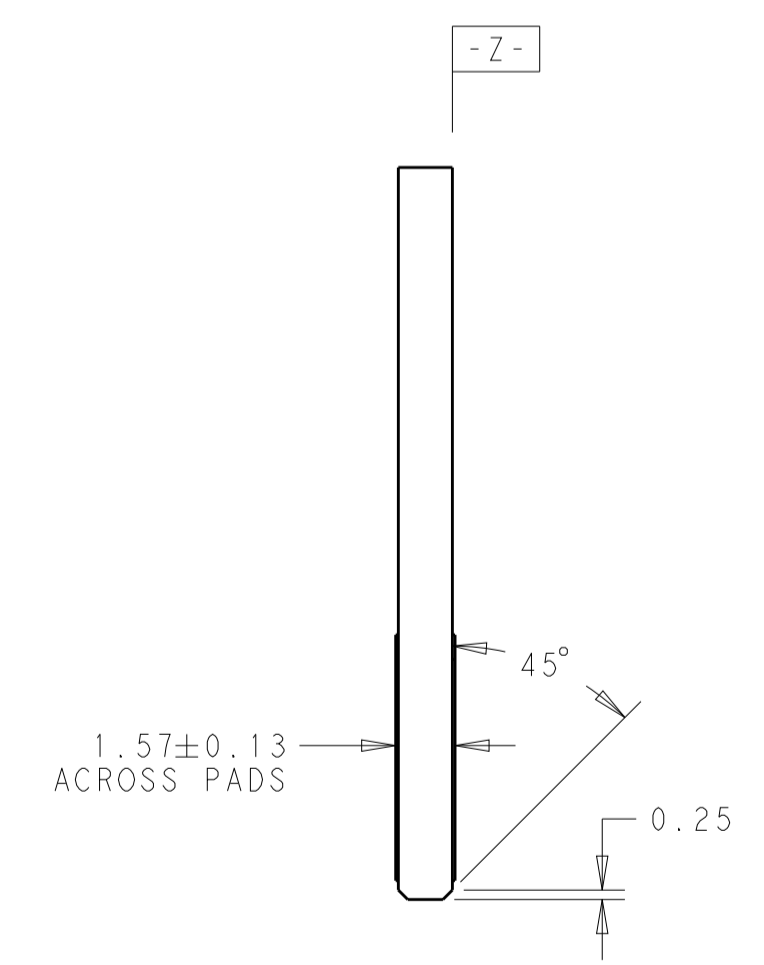
REVISIONS				
P.	LTN	DESCRIPTION	DATE	APVD
-	-	SEE SHEET 1	-	-



RECOMMENDED MATING BOARD EDGE CONFIGURATION



RECOMMENDED MOUNTING BOARD HOLE LAYOUT



THIS DRAWING IS A CONTROLLED DOCUMENT.		DWN: SEAN ZHANG 30OCT2016	TE Connectivity
DIMENSIONS: mm		CHK: SUNY ZHAO 24JAN2017	
TOLERANCES UNLESS OTHERWISE SPECIFIED:		NAME: HIGH CURRENT SUPER CARD EDGE	RESTRICTED TO A1 - C=2204798
0 PLC ±0.5 2 PLC ±0.25 3 PLC ±0.25 4 PLC ±0.25 ANGLES ±0.5		PRODUCT SPEC: 108-128053 APPLICATION SPEC: 114-128056 WEIGHT: -	
MATERIAL: -		CUSTOMER DRAWING	SCALE: 5:1 SHEET 2 OF 2 REV A

X-ON Electronics

Largest Supplier of Electrical and Electronic Components

Click to view similar products for [Standard Card Edge Connectors](#) category:

Click to view products by [TE Connectivity](#) manufacturer:

Other Similar products are found below :

[CR7E-30DB-3.96E\(72\)](#) [6364499-1](#) [6565204-6](#) [PKC-156](#) [1437274-4](#) [147889-1](#) [1489165-4](#) [EBT15622B2X](#) [1-582587-1](#) [284-0102-12100](#)
[286-0052-12101A](#) [306022901000000](#) [307-012-502-202](#) [307-056-520-300](#) [2129318-1](#) [245-062-520-350](#) [287-0032-12101](#) [306-028-525-102](#)
[307-072-526-202](#) [345-060-559-303](#) [392-008-559-201](#) [534671-1](#) [341-240-317](#) [345-044-500-300](#) [346-240-318](#) [395-100-524-300](#) [09-07-2032](#)
[10035388-802LF](#) [10115859-011LF](#) [10122859-009LF](#) [10127905-B04B24BLF](#) [530555-1](#) [5-678046-1](#) [73726-0005](#) [66308-1](#) [1-1437275-6](#)
[PEC-07-02-T-S-A](#) [346-014-520-801](#) [307-048-502-202](#) [CE100F22-9-C](#) [CE100F26-7-C](#) [CE100F28-3-D](#) [CE156F18-9-C](#) [CE156F22-5-D](#)
[CE156F22-9-C](#) [CT100F22-2-D](#) [CT100F22-3-D](#) [CT100F24-2-D](#) [CT100F24-3-D](#) [CT100F24-6-C](#)