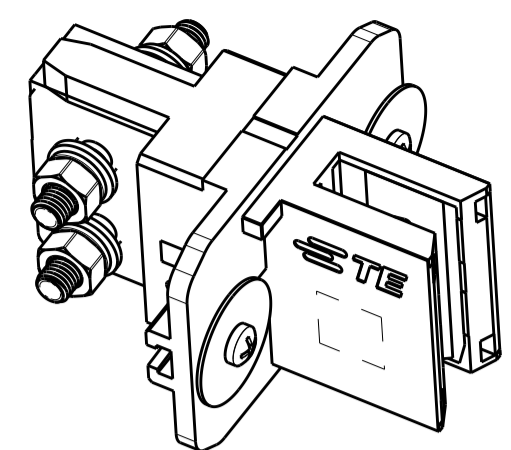
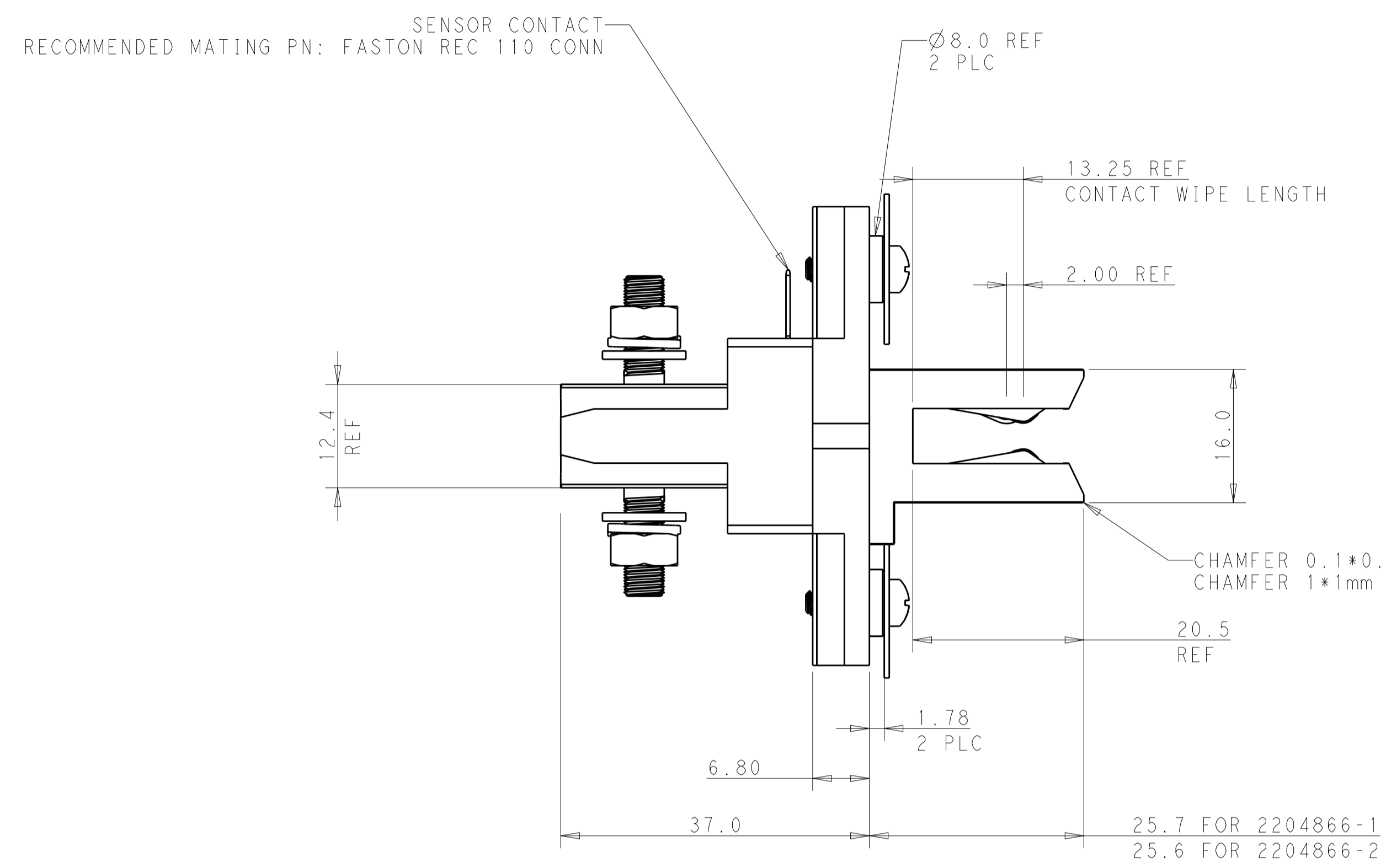
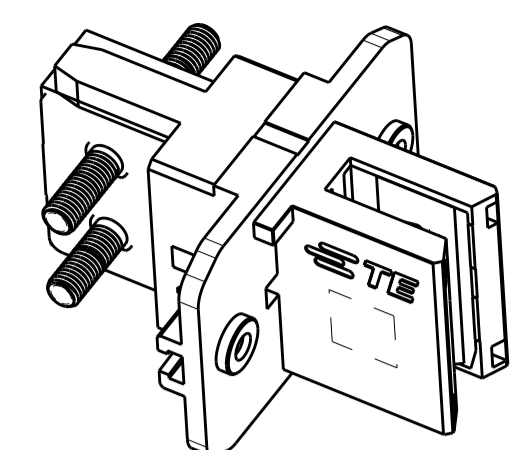


REVISIONS				
P.	LTN	DESCRIPTION	DATE	OWN APVD
7		DRAWING RELEASE	13SEP2017	ML SZ
A1		DRAWING STATUS UPDATED	01FEB2018	ML SZ
A2		RELEASE NEW PN -2	05AUG2020	ML SZ

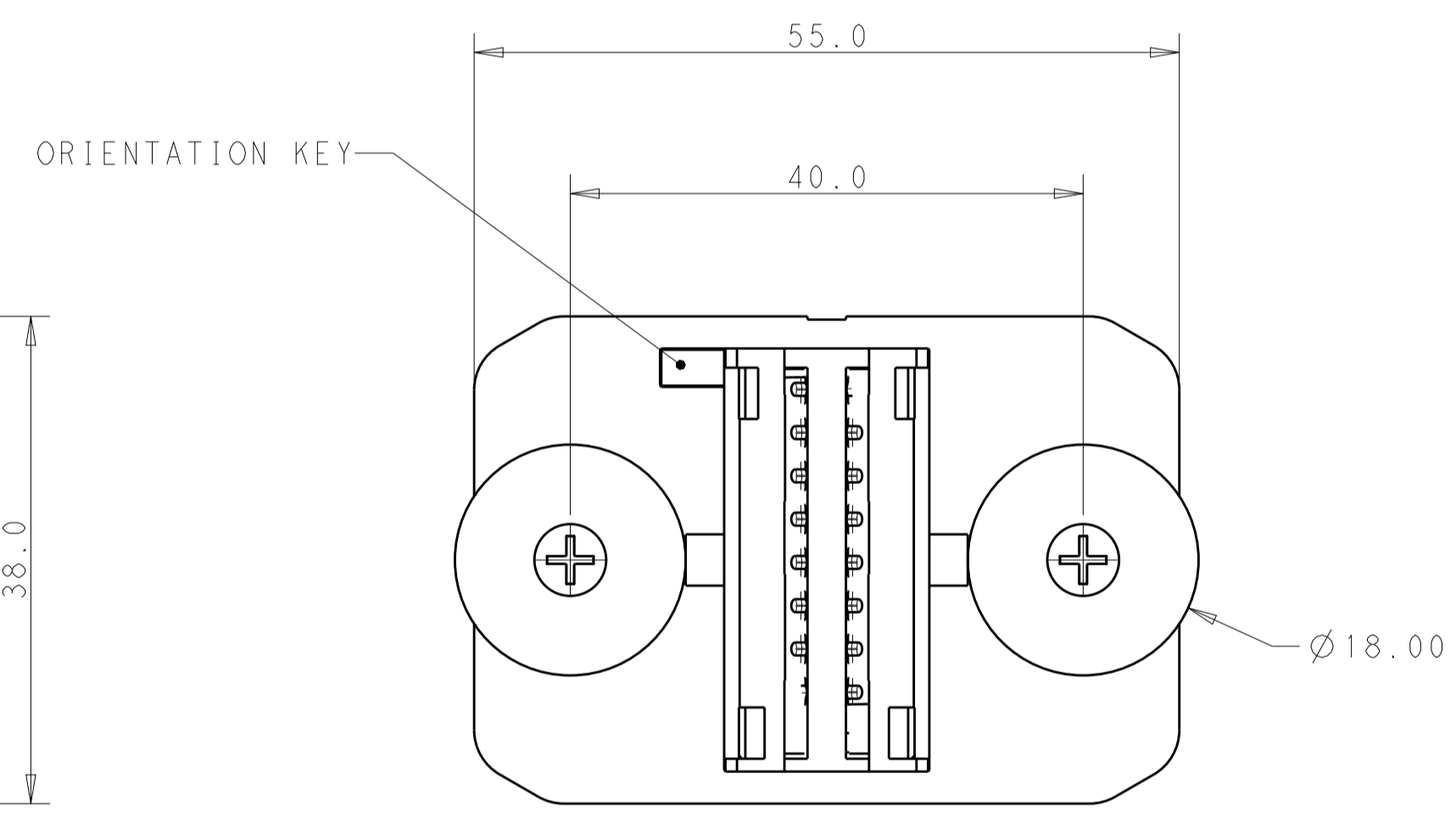
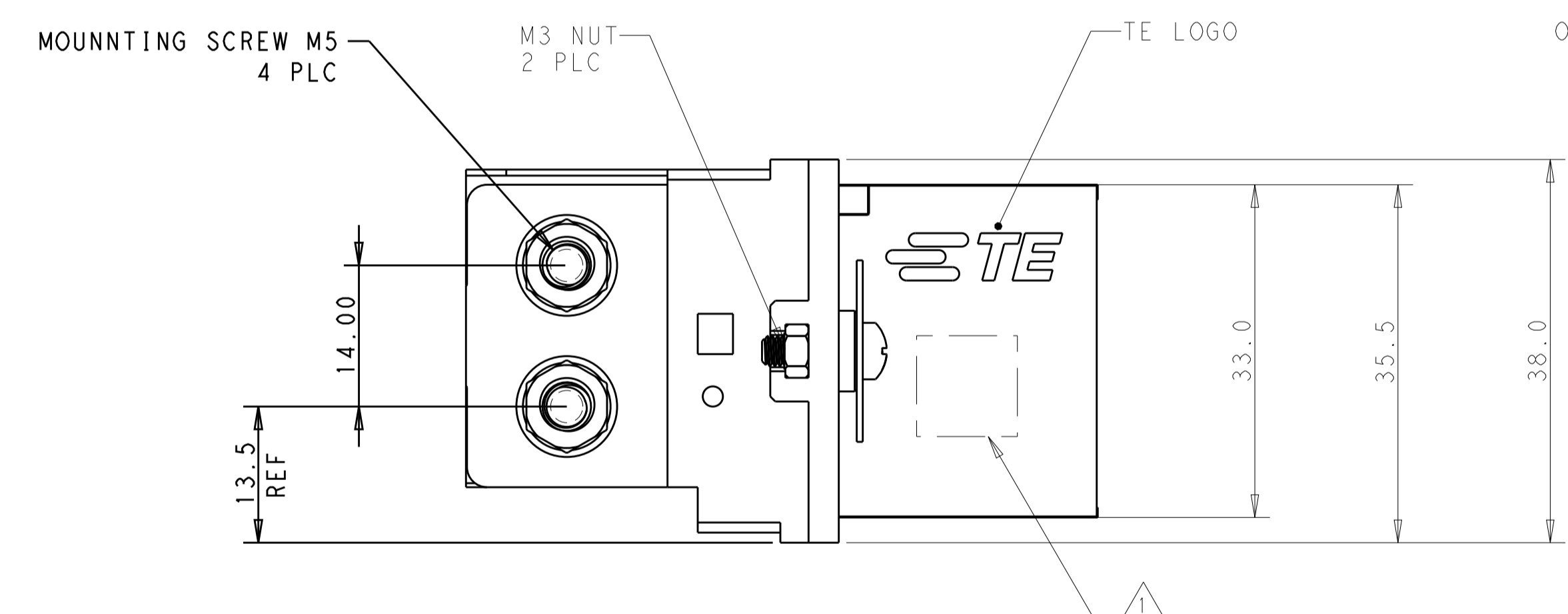


SCALE 1:1
 REFERENCE PRODUCT VIEW
 P/N: 2204866-1



SCALE 1:1
 REFERENCE PRODUCT VIEW
 P/N: 2204866-2

- NOTES: UNLESS OTHERWISE SPECIFIED
- 1. PART NUMBER AND DATE CODE TO BE MARKED IN AREA SHOWN
 - 2. MATERIAL:
 HOUSING: THERMO PLASTIC, BLACK, UL94 V-0
 CONTACT: HIGH CONDUCTIVITY COPPER ALLOY.
 - 3. PLATING:
 SILVER PLATING OVER NICKEL BASE-PLATED ON CONTACT INTERFACE
 - 4. RECOMMENDED BUS BAR BOARD:
 MATERIAL: COPPER C10100/C10200/C11000
 PLATING: BUS BAR BOARD PLATING SHALL BE MATCHING WITH CONNECTOR PLATING.
 DETAIL SPECIFICATION PLEASE REFER TO SHEET 2 AND APPLICATION SPECIFICATION.
 - 5. PANEL BOARD:
 RECOMMENDED PANEL BOARD LAYOUT PLEASE REFER TO THE SHEET 3.
 THE SCREW M3 SHALL BE WITH LOCTITE DRI-LOCK OR EQUIVALENT IN MOUNTING AREA.
 RECOMMENDED TORQUE OF M3 SCREW : 3.9 Kgf.cm
 - 6. PCB OR BUS BAR BOARD IS RECOMMENDED TO SCREW-MOUNT WITH CONNECTOR.
 RECOMMENDED TORQUE OF M5 SCREW : 15-20 Kgf.cm
 - 7. ALL THE HARDWARE SHALL BE PACKAGED WITH CONNECTOR IN BULK. HARDWARE LIST SHOWN IN THE SHEET 2.



SILVER PLATING	3um SILVER PLATING OVER 1.25um MIN. NICKEL BASE-PLATED	3.0±0.05	6.0±0.20	BB500A RACK BUS BAR DUAL POWER CONNECTOR	2204866-2
SILVER PLATING	3um SILVER PLATING OVER 1.25um MIN. NICKEL BASE-PLATED	3.0±0.05	6.0±0.20	BB500A RACK BUS BAR DUAL POWER CONNECTOR	2204866-1
CONNECTOR PLATING	MATING BLADE PLATING	SEPERATE BUS BAR THICKNESS	MATING BLADE THICKNESS	DESCRIPTION	PART NUMBER

THIS DRAWING IS A CONTROLLED DOCUMENT.

DIMENSIONS: mm

TOLERANCES UNLESS OTHERWISE SPECIFIED:

0 PLC	±1
1 PLC	±0.5
2 PLC	±0.30
3 PLC	±0.150
4 PLC	±0.1
ANGLES	±0°

MATERIAL:

FINISH:

THIS DRAWING IS A CONTROLLED DOCUMENT. DWN: MAC LIU 10JAN2017
 CHK: SUNY ZHAO 10JAN2017
 APVD: SUNY ZHAO 10JAN2017

NAME: CUSTOMER DRAWING
 DUAL-POLE RACK BUS BAR POWER CONN

PRODUCT SPEC: 108-128050
 APPLICATION SPEC: 114-128051

SIZE: A1
 CAGE CODE: -
 DRAWING NO: C=2204866

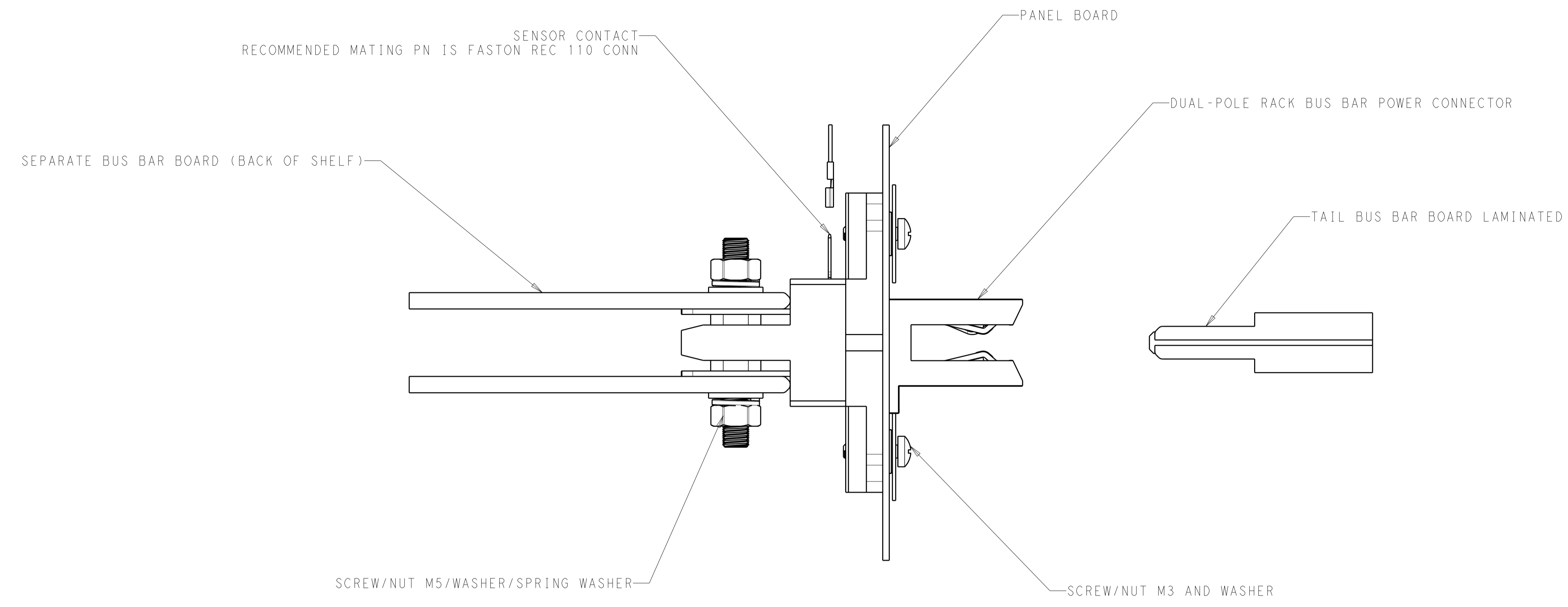
RESTRICTED TO: -

CUSTOMER DRAWING

SCALE: 2:1 SHEET 1 OF 3 REV: A2

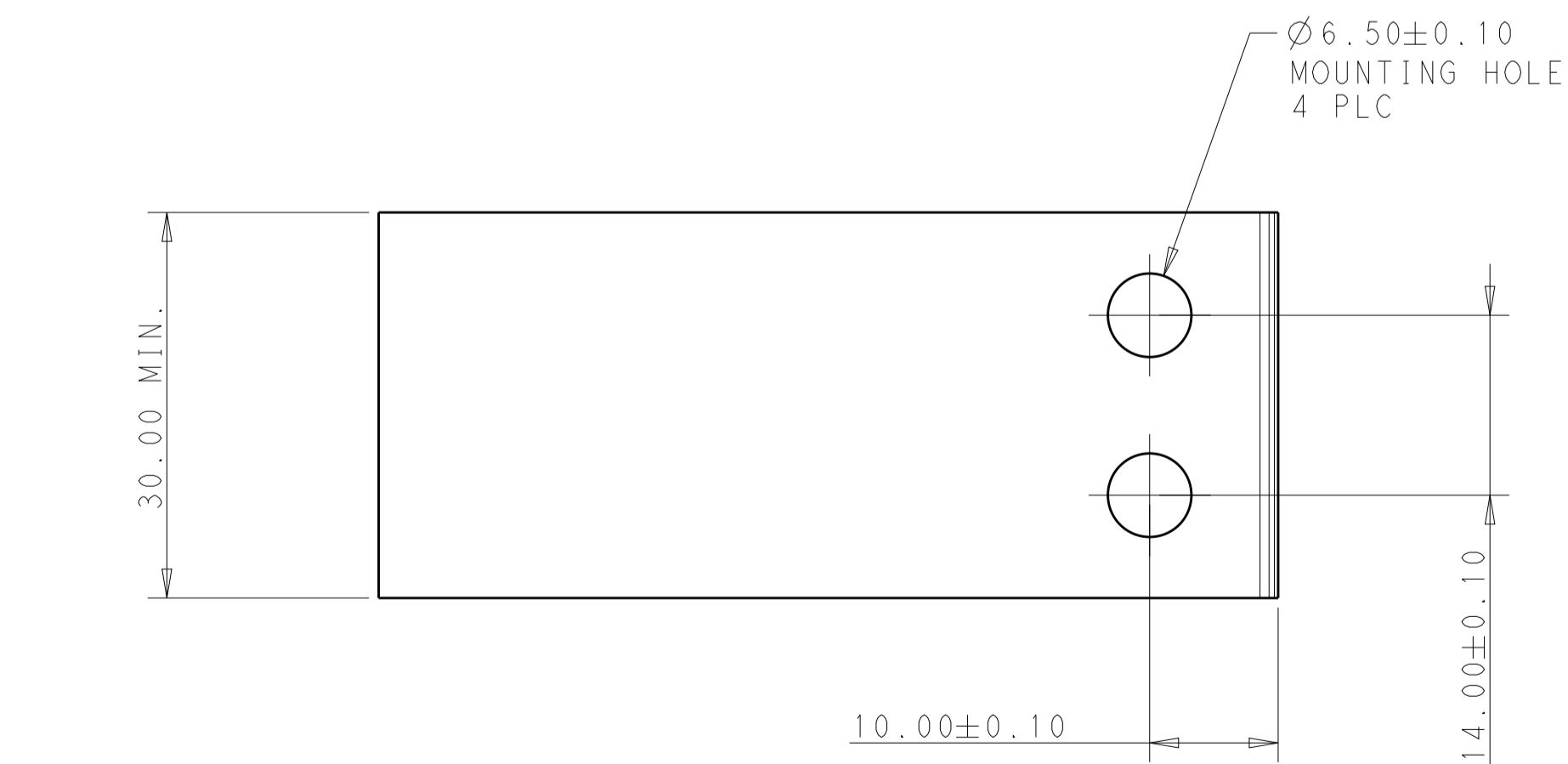
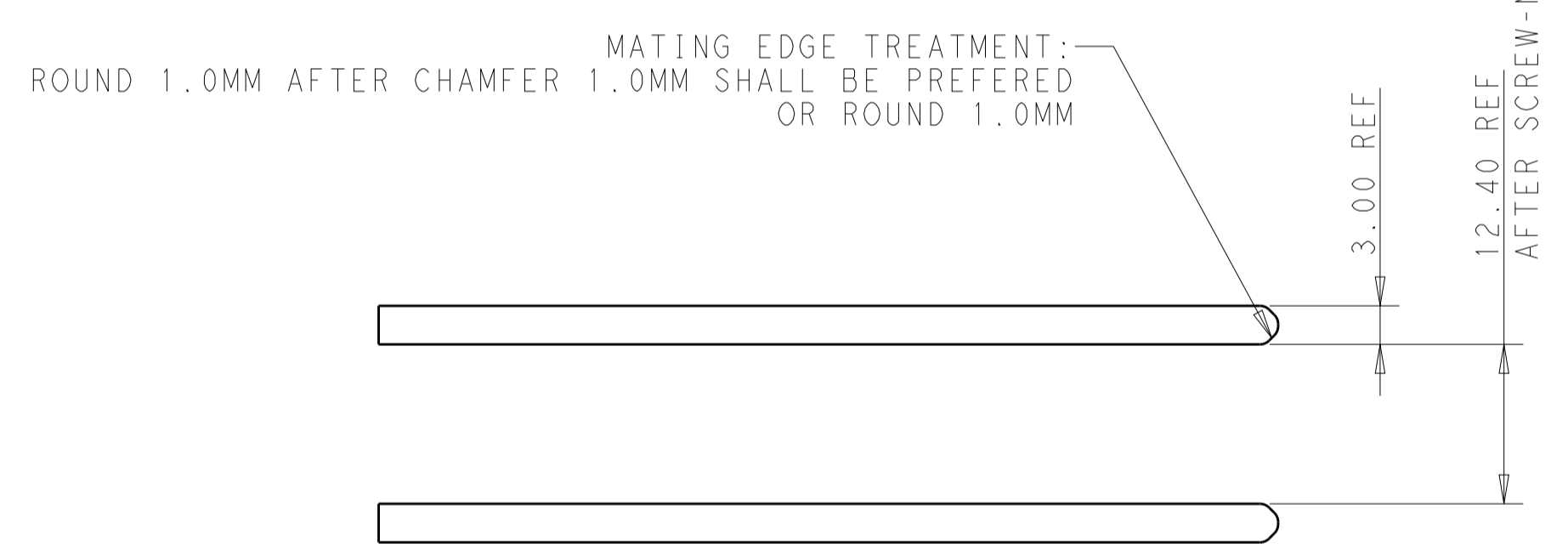
REVISIONS					
P.	LTN	DESCRIPTION	DATE	DMN	APVD
-	-	SEE SHEET 1	-	-	-

HARDWARE LIST		
ITEM	DESCRIPTION	QTY/PC
1	M5 NUT	4
2	M5 WASHER	4
3	M5 SPRING WASHER	4
4	M3 PANEL SCREW	2
5	M3 PANEL WASHER	2

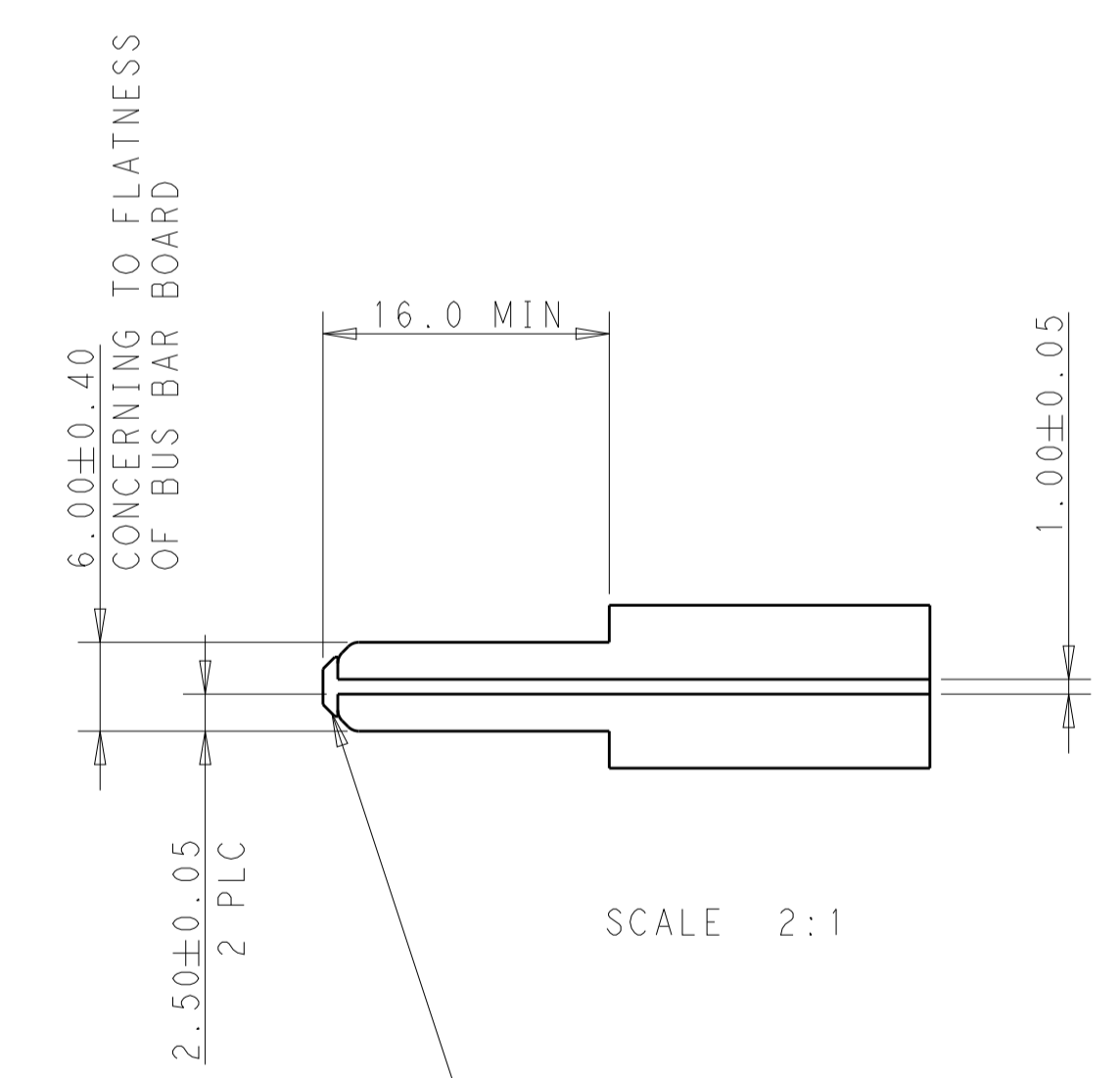


PRODUCT BOARD APPLICATION REFERENCE VIEW
 P/N: 2204866-*

SCALE 2:1



RECOMMENDED SEPARATE BUS BAR BOARD VIEW
 PLATING SPEC.: 3um Sn PLATING OVER 1.27um NICKEL BASE-PLATED ON COPPER

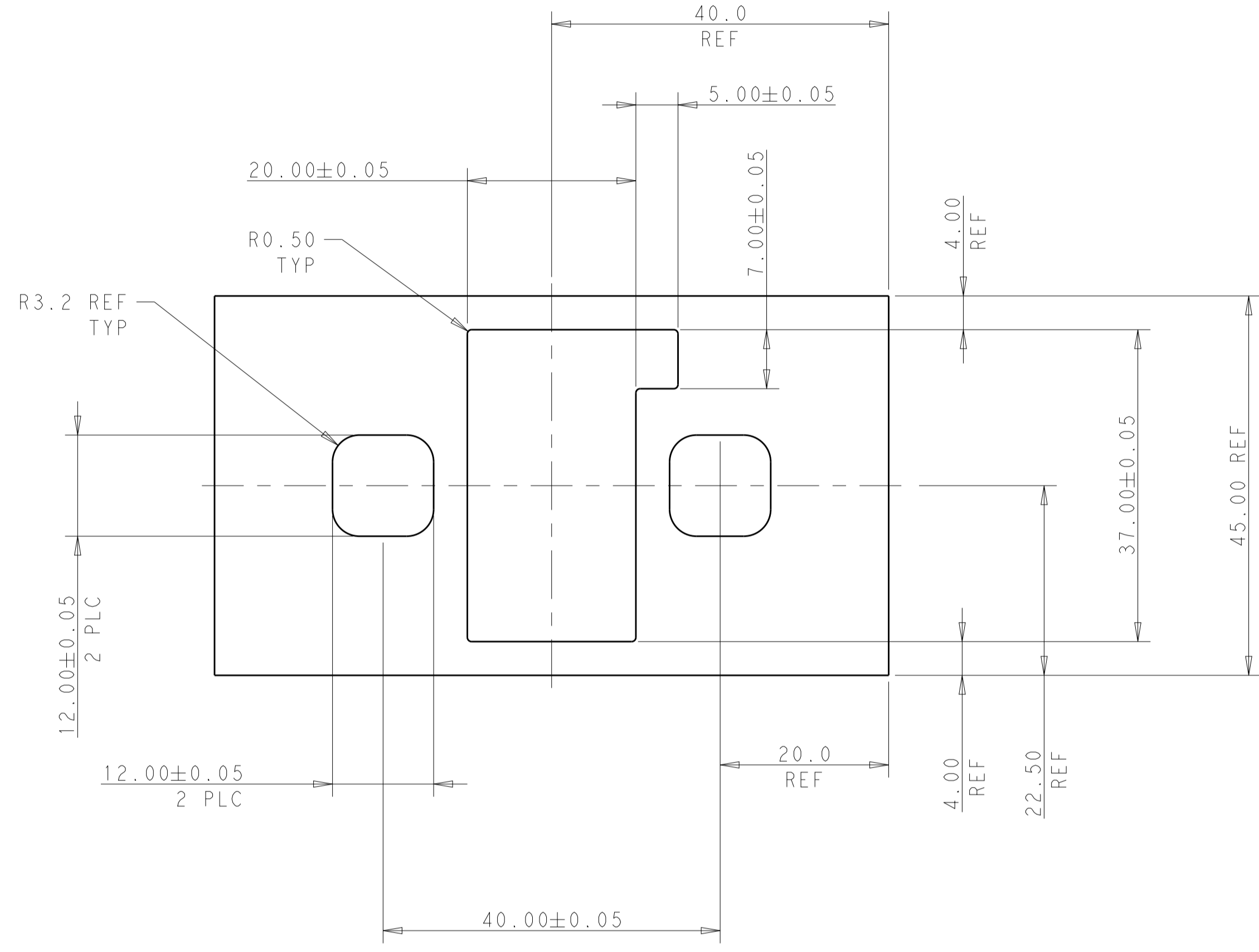


SCALE 2:1

RECOMMENDED TAIL BUS BAR BOARD VIEW
 PLATING SPEC.: 3um SILVER PLATING OVER 1.27um NICKEL BASE-PLATED ON COPPER IN CONTACT AREA

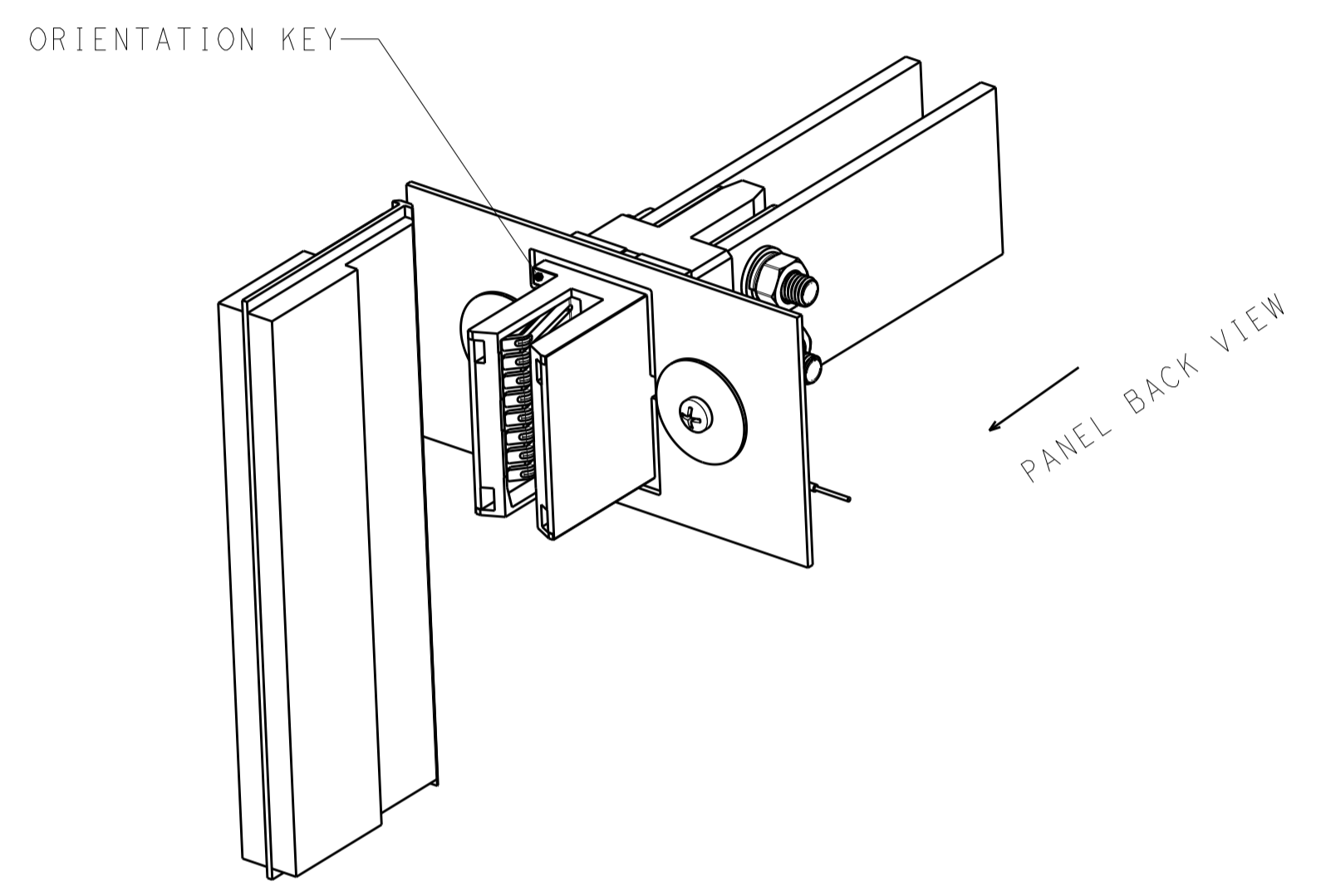
THIS DRAWING IS A CONTROLLED DOCUMENT.		DMN: MAC LIU 10JAN2017	TE Connectivity
DIMENSIONS: mm		CHK: SUNY ZHAO 10JAN2017	
TOLERANCES UNLESS OTHERWISE SPECIFIED:		APVD: SUNY ZHAO 10JAN2017	NAME: CUSTOMER DRAWING
0 PLC ±1	1 PLC ±0.5	PRODUCT SPEC: 108-128050	DUAL-POLE RACK BUS BAR POWER CONN
2 PLC ±0.30	3 PLC ±0.150	APPLICATION SPEC: 114-128051	POWER CONNECTOR
4 PLC ±*	ANGLES ±2°	SIZE: A1	CAGE CODE: C=2204866
MATERIAL: -	FINISH: -	WEIGHT: -	RESTRICTED TO: -
CUSTOMER DRAWING		SCALE: 2:1	SHEET 2 OF 3

REVISIONS				
P.	LTN	DESCRIPTION	DATE	APVD
-	-	SEE SHEET 1	-	-



SCALE 2:1

REFERENCE PANEL BOARD LAYOUT BACK VIEW
 THICKNESS 1.20MM



THIS DRAWING IS A CONTROLLED DOCUMENT.		DWN: MAC LIU 10JAN2017		
DIMENSIONS: mm		CHK: SUNY ZHAO 10JAN2017		
TOLERANCES UNLESS OTHERWISE SPECIFIED:		APVD: SUNY ZHAO 10JAN2017	NAME: CUSTOMER DRAWING	
0 PLC ±1		PRODUCT SPEC: 108-128050	DUAL-POLE RACK BUS BAR POWER CONN	
1 PLC ±0.5		APPLICATION SPEC: 114-128051	POWER CONNECTOR	
2 PLC ±0.30		SIZE: A1	CAGE CODE: C=2204866	RESTRICTED TO: -
3 PLC ±0.150		SCALE: 2:1	SHEET: 3 OF 3	REV: A2
4 PLC ±*	FINISH: ±2°	CUSTOMER DRAWING		

X-ON Electronics

Largest Supplier of Electrical and Electronic Components

Click to view similar products for [Heavy Duty Power Connectors](#) category:

Click to view products by [TE Connectivity](#) manufacturer:

Other Similar products are found below :

[647757-1](#) [6643411-1](#) [6646058-2](#) [6646137-1](#) [6646138-1](#) [6646479-1](#) [6646608-1](#) [6646786-1](#) [6646940-1](#) [6651091-1](#) [6651525-1](#) [6651529-1](#)
[6651788-1](#) [696475-1](#) [702-32-01109](#) [703-25-02205](#) [73000005059](#) [73000005642](#) [73080255059](#) [73080965046](#) [765-15-0080A](#) [765-16-0080B](#)
[765-18-0080D](#) [829992-1](#) [902-77-02113](#) [PS00/A0620/6300](#) [PS25/A0420/63](#) [129-1J](#) [1409400](#) [AN0024023](#) [E6374G1](#) [e6389g2](#) [157-43GW8](#)
[MS3117-14AC](#) [1643543-1](#) [1650540-1](#) [1651811-2](#) [1766260-1](#) [1766282-1](#) [1766966-1](#) [1791340000](#) [NLDFT-3-BL-L-S120-M40A](#) [NLDFT-N-](#)
[W-L-C240-M40B](#) [NLS-2-R-C240-M40B](#) [NLS-N-W-C240-M40B](#) [NPS-3-BL-T6](#) [1986615-1](#) [2-1589900-8](#) [2199314-1](#) [KA8102](#)