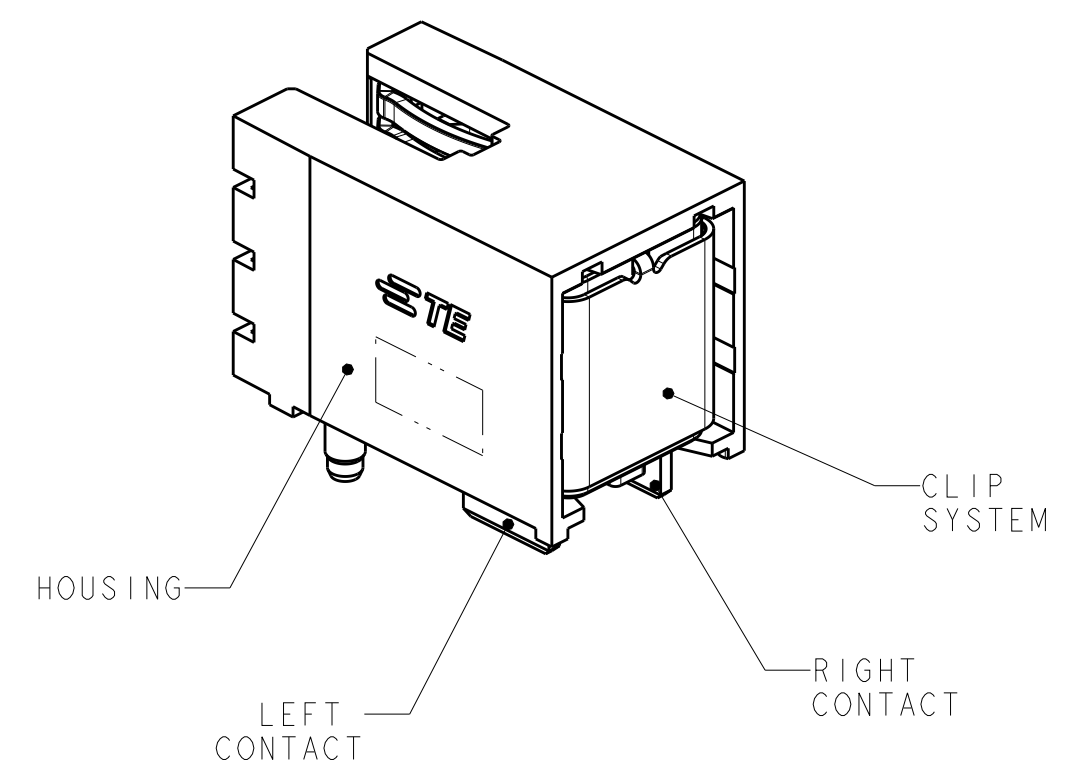
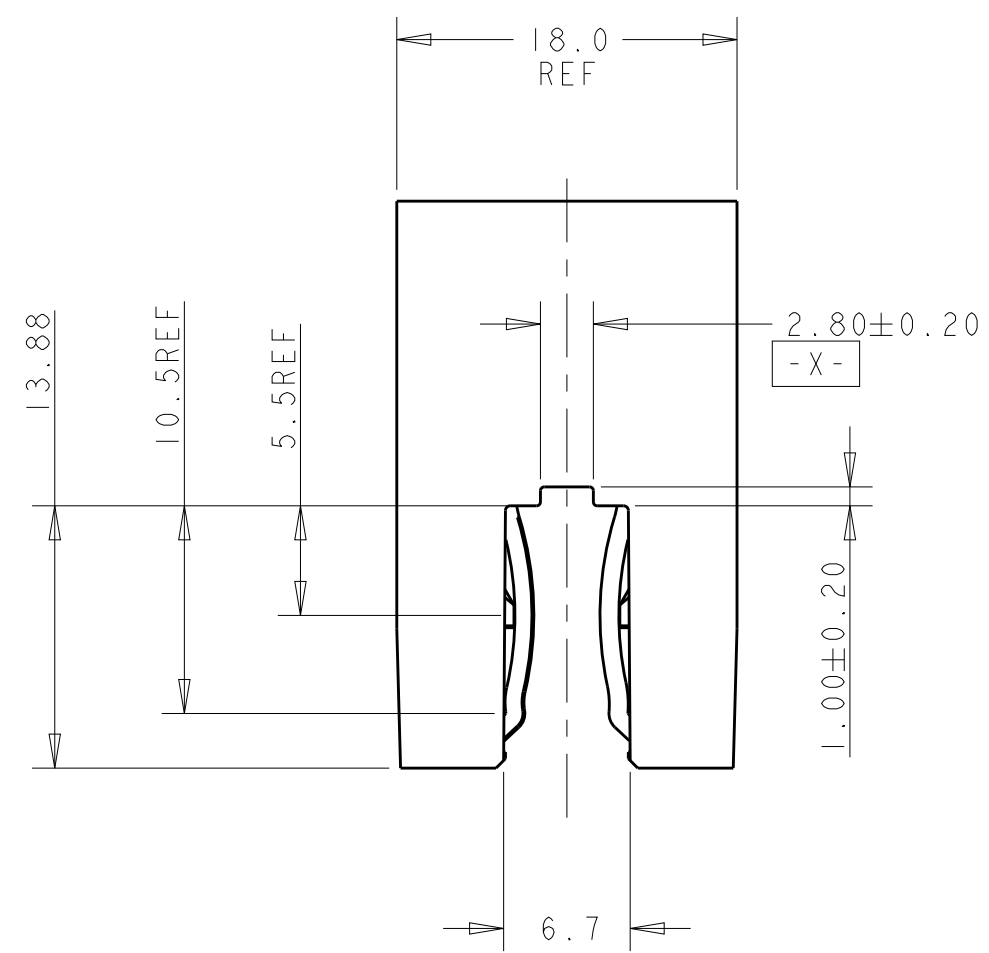
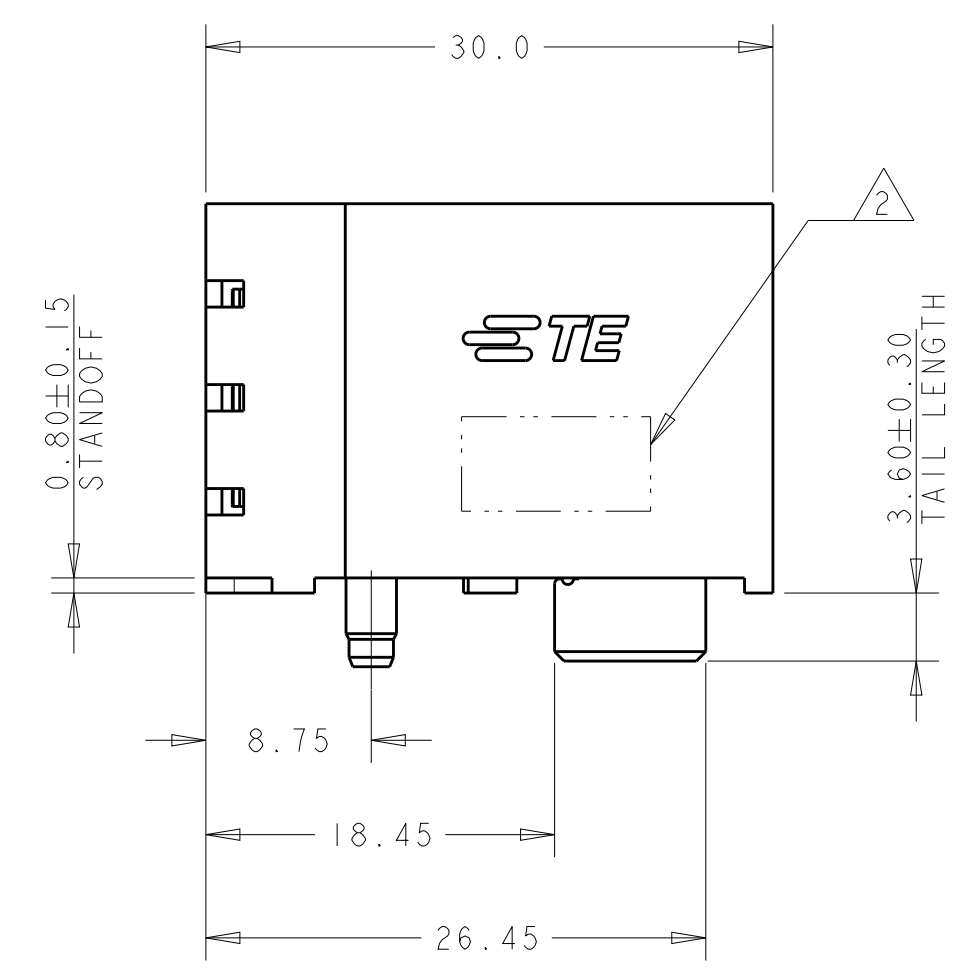
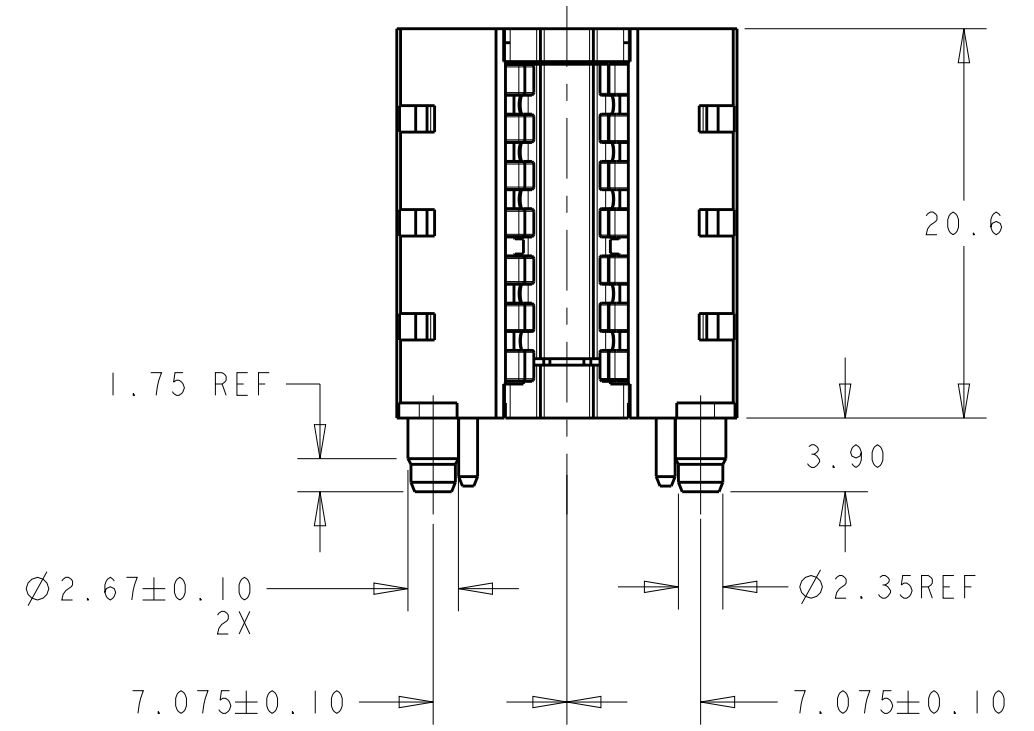


THIS DRAWING IS UNPUBLISHED. RELEASED FOR PUBLICATION
 © COPYRIGHT BY - TE CONNECTIVITY ALL RIGHTS RESERVED.

REVISIONS				
P	LTR	DESCRIPTION	DATE	APVD
	I	INITIAL	11OCT2018	ML SZ
	AI	RELEASE THE NEW P/N -3	20NOV2020	ML SZ



- NOTES:
- MATERIAL:
 HOUSING: THERMOPLASTIC GLASS PREINFORCED
 COLOR: BLACK, UL94V-0
 CONTACT: HIGH CONDUCTIVITY COPPER ALLOY
 - AREA FOR DATE CODE AND P/N
 - FINISH:
 CONTACT AREA: NOBLE METAL OVER NICKEL.
 SOLDERING TAIL: MATTE TIN OVER NICKEL.
 - RECOMMENDED MATING BUSBAR BOARD:
 MATERIAL: COPPER ALLOY C10100/C10200/C11000
 PLATING: 0.76um MIN. GOLD PLATING OVER 1.27~7.62um
 MATTIN NICKEL UNDERPLATED ON COPPER SURFACE.
 DETAIL SPECIFICATION PLEASE REFER TO SHEET 2.
 - PRODUCT NO.: 2204899-1/-3



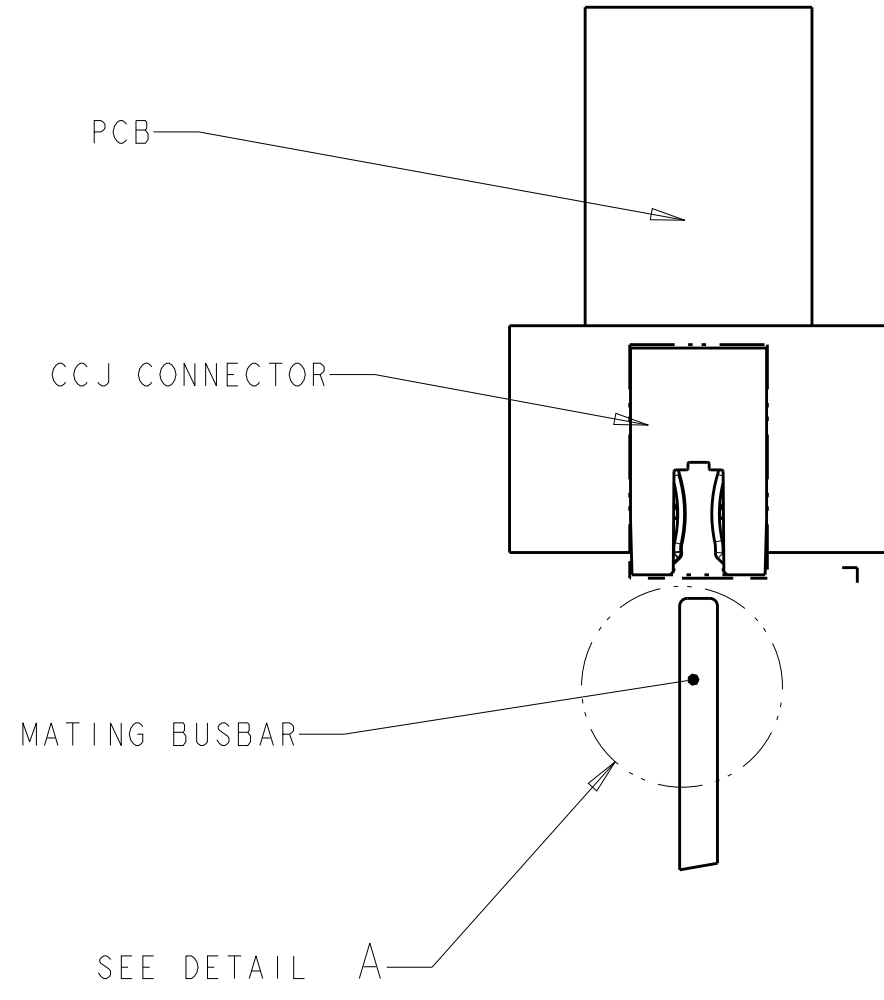
REFERENCE PRODUCT VIEW
 TE P/N: 2204899-1

TE P/N	DESCRIPTION	TAIL LENGTH	REF PCB THICKNESS REFLOW SOLDERING	REF PCB THICKNESS WAVE SOLDERING
2204899-3	CROWN CLIP JUNIOR POWER HC250 SOLDERING CONN	5.10 ± 0.30	4.5mm (3.6~7.1mm)	4.1mm
2204899-1	CROWN CLIP JUNIOR POWER HC250 SOLDERING CONN	3.60 ± 0.30	3.0mm (2.1~5.6mm)	2.6mm

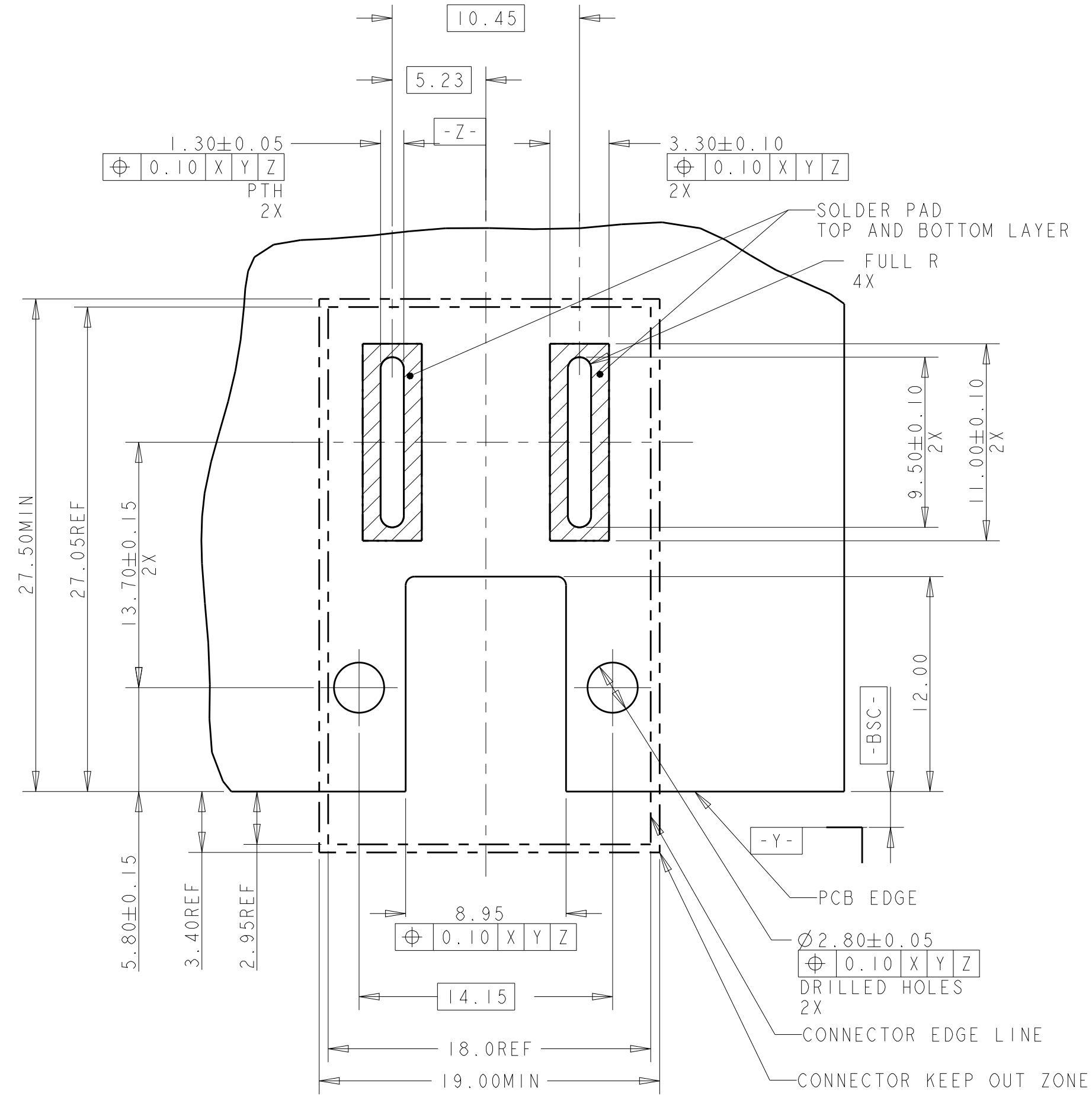
THIS DRAWING IS A CONTROLLED DOCUMENT.		DWN: MAC LIU 16DEC2018	STE TE Connectivity	
DIMENSIONS: mm		CHK: SUNY ZHAO 16DEC2018		
TOLERANCES UNLESS OTHERWISE SPECIFIED:		APVD: SUNY ZHAO 16DEC2018	NAME: CROWN CLIP JUNIOR POWER CONNECTOR HIGH CURRENT POWER VERSION SOLDERING	
0 PLC ± -		PRODUCT SPEC: 108-128048	SIZE: A2	
1 PLC ± 0.5		APPLICATION SPEC: 114-128048	CAGE CODE: 0079	
2 PLC ± 0.30		WEIGHT: -	DRAWING NO: 2204899	
3 PLC ± 0.150		CUSTOMER DRAWING		
4 PLC ± -		SCALE: 2:1		
ANGLES ± 2°		SHEET 1 OF 2		
FINISH: -		REV: AI		

THIS DRAWING IS UNPUBLISHED. RELEASED FOR PUBLICATION
 © COPYRIGHT BY - TE CONNECTIVITY ALL RIGHTS RESERVED.

REVISIONS				
P	LTR	DESCRIPTION	DATE	APVD
-	-	SEE SHEET 1	-	-

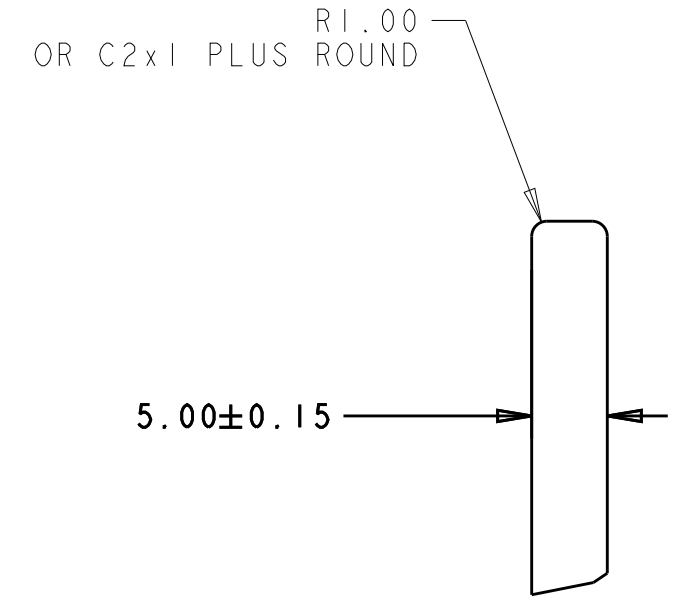


REFERENCE APPLICATION VIEW



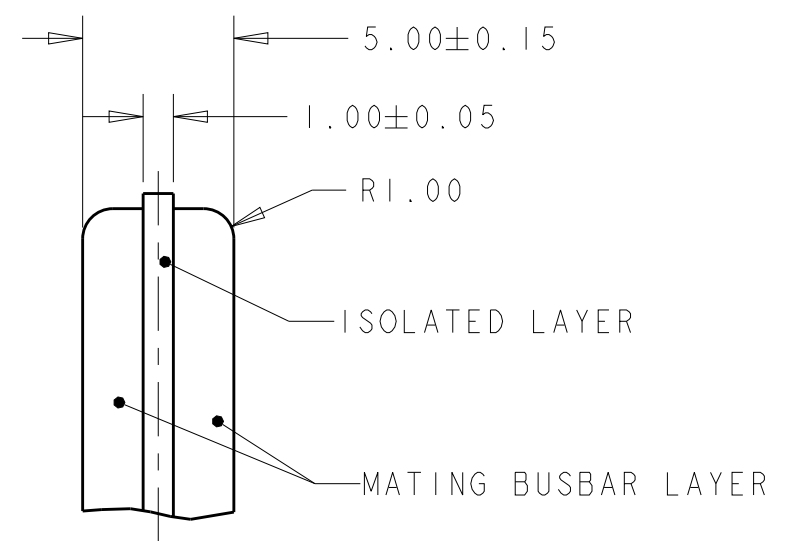
RECOMMENDED PCB LAYOUT FOR REFLOW SOLDERING
 THICKNESS: 3.0mm FOR P/N 2204899-1
 THICKNESS: 4.5mm FOR P/N 2204899-3

MATING EDGE TREATMENT:
 NO SHARP EDGE IN MATING AREA.



DETAIL A
 SCALE 2:1

SOLID MATING BUSBAR



SCALE 4:1

LAMINATED MATING BUSBAR

THIS DRAWING IS A CONTROLLED DOCUMENT.		DWN MAC LIU 16DEC2018	TE Connectivity	
DIMENSIONS: mm		CHK SUNY ZHAO 16DEC2018		
TOLERANCES UNLESS OTHERWISE SPECIFIED:		APVD SUNY ZHAO 16DEC2018	NAME CROWN CLIP JUNIOR POWER CONNECTOR HIGH CURRENT POWER VERSION SOLDERING	
0 PLC ± -		PRODUCT SPEC 108-128048	SIZE A2	
1 PLC ± 0.5		APPLICATION SPEC 114-128048	CAGE CODE 0079	DRAWING NO C-2204899
2 PLC ± 0.30		MATERIAL	RESTRICTED TO	
3 PLC ± 0.150		FINISH	SCALE 2:1	SHEET 2 OF 2
4 PLC ± -			REV A1	
ANGLES ± 2°		CUSTOMER DRAWING		

X-ON Electronics

Largest Supplier of Electrical and Electronic Components

Click to view similar products for [Heavy Duty Power Connectors](#) category:

Click to view products by [TE Connectivity](#) manufacturer:

Other Similar products are found below :

[647757-1](#) [6643411-1](#) [6646058-2](#) [6646137-1](#) [6646138-1](#) [6646479-1](#) [6646608-1](#) [6646786-1](#) [6646940-1](#) [6651091-1](#) [6651525-1](#) [6651529-1](#)
[6651788-1](#) [696475-1](#) [702-32-01109](#) [703-25-02205](#) [73000005059](#) [73000005642](#) [73080255059](#) [73080965046](#) [765-15-0080A](#) [765-16-0080B](#)
[765-18-0080D](#) [829992-1](#) [902-77-02113](#) [PS00/A0620/6300](#) [PS25/A0420/63](#) [129-1J](#) [1409400](#) [AN0024023](#) [E6374G1](#) [e6389g2](#) [157-43GW8](#)
[MS3117-14AC](#) [1643543-1](#) [1650540-1](#) [1651811-2](#) [1766260-1](#) [1766282-1](#) [1766966-1](#) [1791340000](#) [NLDFT-3-BL-L-S120-M40A](#) [NLDFT-N-](#)
[W-L-C240-M40B](#) [NLS-2-R-C240-M40B](#) [NLS-N-W-C240-M40B](#) [NPS-3-BL-T6](#) [1986615-1](#) [2-1589900-8](#) [2199314-1](#) [KA8102](#)