

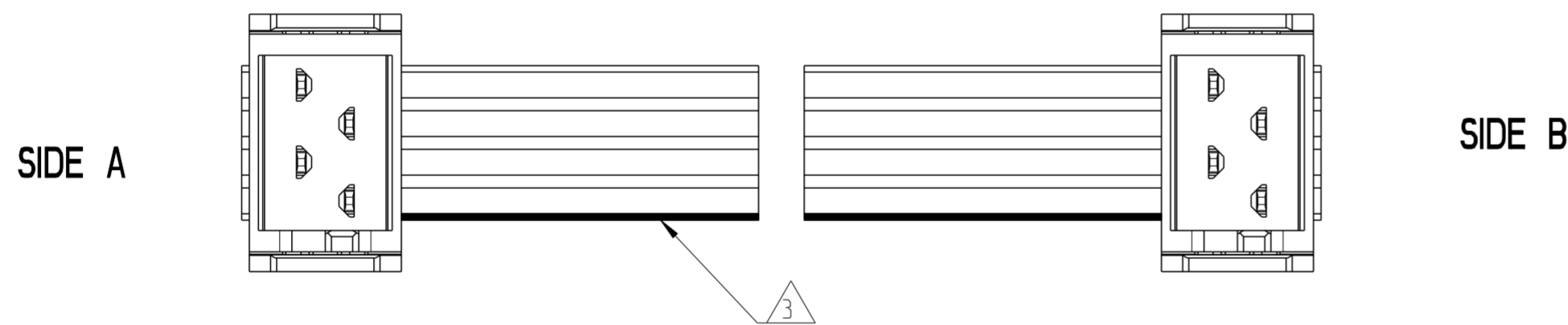
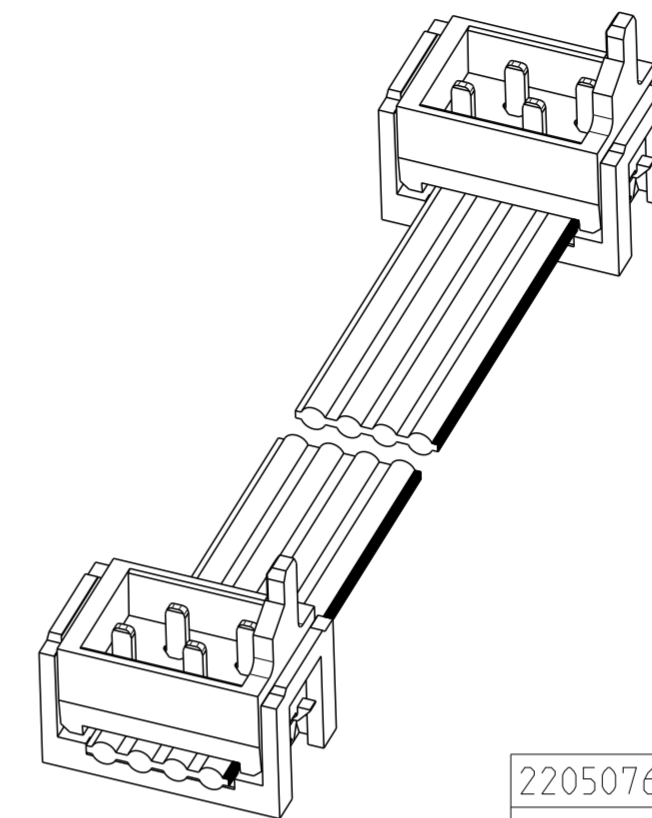
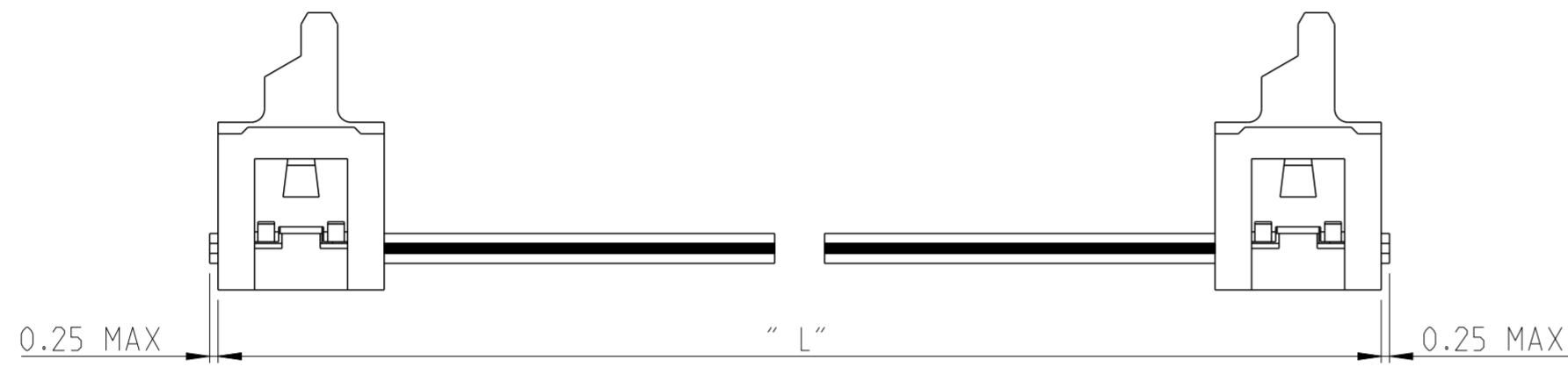
THIS DRAWING IS UNPUBLISHED. RELEASED FOR PUBLICATION 20
 © COPYRIGHT 20 BY - ALL RIGHTS RESERVED.

REVISIONS					
P	LTR	DESCRIPTION	DATE	DWN	APVD
	A	INITIAL RELEASE	16DEC2013	KR	BvH
	A1	ECR-15-004403	28MAR2015	GSK	BvH
	B	ECR-15-014781	08OCT2015	TB	BVH

NOTES:

- 1 ASSEMBLIES TO BE TESTED FOR 100% CONTINUITY
- 2 ASSEMBLIES ARE PACKAGED ACCORDING PACKAGING SPEC 107-19582
- 3 RED MARKED CORRESPONDS TO PIN 1
- 4 FOR MOW TO PB SEE 2205068

SCALE : 4:1



2205060-X (4 POSITION CABLE ASSEMBLY) AS SHOWN

TE PN	POS	LENGTH	DESCRIPTION
2205076-3	20	200	CA MICRO-MATCH MOW -MOW 20POS
2205076-2	20	150	CA MICRO-MATCH MOW -MOW 20POS
2205076-1	20	75	CA MICRO-MATCH MOW -MOW 20POS
2205067-3	18	200	CA MICRO-MATCH MOW -MOW 18POS
2205067-2	18	150	CA MICRO-MATCH MOW -MOW 18POS
2205067-1	18	75	CA MICRO-MATCH MOW -MOW 18POS
2205066-3	16	200	CA MICRO-MATCH MOW -MOW 16POS
2205066-2	16	150	CA MICRO-MATCH MOW -MOW 16POS
2205066-1	16	75	CA MICRO-MATCH MOW -MOW 16POS
2205065-3	14	200	CA MICRO-MATCH MOW -MOW 14POS
2205065-2	14	150	CA MICRO-MATCH MOW -MOW 14POS
2205065-1	14	75	CA MICRO-MATCH MOW -MOW 14POS
2205064-3	12	200	CA MICRO-MATCH MOW -MOW 12POS
2205064-2	12	150	CA MICRO-MATCH MOW -MOW 12POS
2205064-1	12	75	CA MICRO-MATCH MOW -MOW 12POS
2205063-3	10	200	CA MICRO-MATCH MOW -MOW 10POS
2205063-2	10	150	CA MICRO-MATCH MOW -MOW 10POS
2205063-1	10	75	CA MICRO-MATCH MOW -MOW 10POS
2205062-3	8	200	CA MICRO-MATCH MOW -MOW 8POS
2205062-2	8	150	CA MICRO-MATCH MOW -MOW 8POS
2205062-1	8	75	CA MICRO-MATCH MOW -MOW 8POS
2205061-3	6	200	CA MICRO-MATCH MOW -MOW 6POS
2205061-2	6	150	CA MICRO-MATCH MOW -MOW 6POS
2205061-1	6	75	CA MICRO-MATCH MOW -MOW 6POS
2205060-3	4	200	CA MICRO-MATCH MOW -MOW 4POS
2205060-2	4	150	CA MICRO-MATCH MOW -MOW 4POS
2205060-1	4	75	CA MICRO-MATCH MOW -MOW 4POS

THIS DRAWING IS A CONTROLLED DOCUMENT.

DWN 13DEC2013 RAGHAVENDRA K
 CHK 23DEC2013 B. VELDHOVEN
 APVD 23DEC2013 G. DOREMALEN VAN

STE TE Connectivity

NAME: CABLE ASSY MICRO-MATCH MOW -MOW

PRODUCT SPEC: -
 APPLICATION SPEC: -
 WEIGHT: -

SIZE: A2 CAGE CODE: - DRAWING NO: C-2205060 RESTRICTED TO: -

Customer Drawing SCALE 5:1 SHEET 1 OF 1 REV B

X-ON Electronics

Largest Supplier of Electrical and Electronic Components

Click to view similar products for [Ribbon Cables / IDC Cables](#) category:

Click to view products by [TE Connectivity](#) manufacturer:

Other Similar products are found below :

[FSK-12A](#) [AWG28-10G](#) [EHJ3C](#) [EHJ4C](#) [cab-LVDV-PWR-10-15](#) [FSP-25A](#) [3365/15 \(100FT\)](#) [cab-LVDV-DAT-34-15](#) [49635-C62-S2](#) [1-3636-600-5204](#) [92315-1408](#) [426171120-3](#) [3625/08 \(100M\)](#) [0044704](#) [2-1589735-3](#) [JSM015PP2DCC23N](#) [92301-0283](#) [ACL-eSSI-2](#) [92301-0718](#) [MMSDT-06-20-S-05.5-D-K-LDX](#) [IDD-04-G](#) [NM-2J2-051-PS1-JJAB](#) [1700/14SF \(100FT\)](#) [1700/26SF \(100FT\)](#) [1700/34SF \(100FT\)](#) [3801/09 \(100FT\)](#) [119-885](#) [DS1057-09A282R-30.5](#) [DS1057-12A282R-30.5](#) [DS1057-14A282R-76.5](#) [DS1057-20A282R-76.5](#) [DS1057-30A282R-76.5](#) [DS1057-34A282R-76.5](#) [DS1057-40A282R-76.5](#) [DS1057-60A282R-76.5](#) [DS1057-64A282R-76.5](#) [DS1058-08M28-30.5](#) [DS1058-30M28-30.5](#) [3750/10 \(100FT\)](#) [0015712](#) [0015905](#) [S30109](#) [11203](#) [11223](#) [11243](#) [11262](#) [0037147](#) [0022512](#) [0022412](#) [0022416](#)