

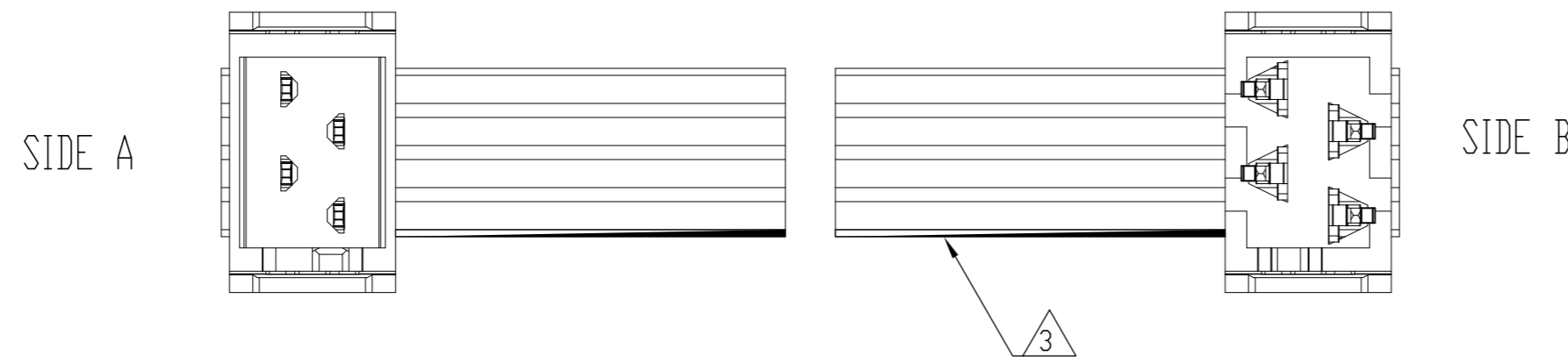
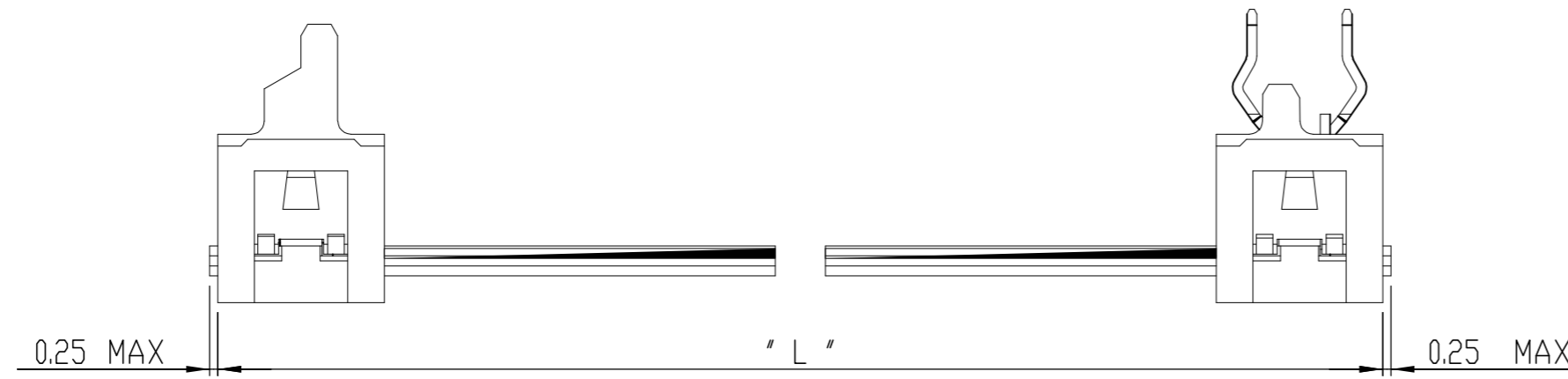
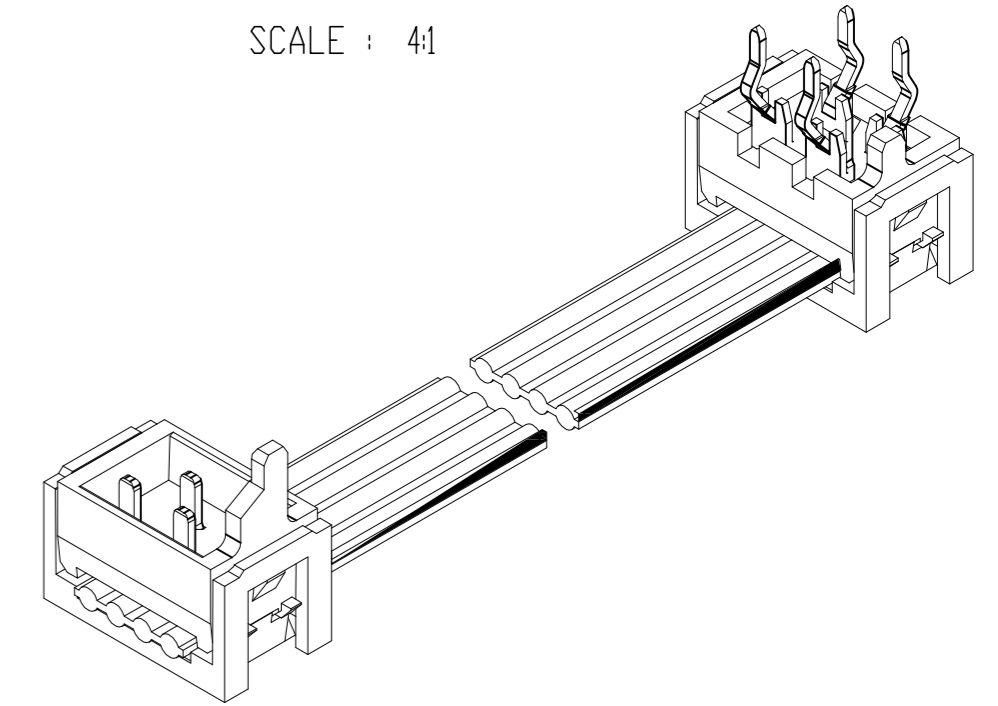
THIS DRAWING IS UNPUBLISHED. RELEASED FOR PUBLICATION 20
 © COPYRIGHT 20 BY - ALL RIGHTS RESERVED.

NOTES:

- 1 ASSEMBLIES TO BE TESTED FOR 100% CONTINUITY
- 2 ASSEMBLIES ARE PACKAGED ACCORDING PACKAGING SPEC 107-19582
- 3 RED MARKED CORRESPONDS TO PIN 1
- 4 FOR MDW TO MDW SEE 2205060

REVISIONS				
P	LTR	DESCRIPTION	DATE	APVD
A		INITIAL RELEASE	16DEC2013	KR BvH
B		ECR-15-015452	21OCT2015	TB BvH

SCALE : 4:1



2205068-X (4 POSITION CABLE ASSEMBLY) AS SHOWN

TE PN	POS	LENGTH	DESCRIPTION
2205077-3	20	200	CA MICRO-MATCH MDW-PB 20POS
2205077-2	20	150	CA MICRO-MATCH MDW-PB 20POS
2205077-1	20	70	CA MICRO-MATCH MDW-PB 20POS
2205075-3	18	200	CA MICRO-MATCH MDW-PB 18POS
2205075-2	18	150	CA MICRO-MATCH MDW-PB 18POS
2205075-1	18	70	CA MICRO-MATCH MDW-PB 18POS
2205074-3	16	200	CA MICRO-MATCH MDW-PB 16POS
2205074-2	16	150	CA MICRO-MATCH MDW-PB 16POS
2205074-1	16	70	CA MICRO-MATCH MDW-PB 16POS
2205073-3	14	200	CA MICRO-MATCH MDW-PB 14POS
2205073-2	14	150	CA MICRO-MATCH MDW-PB 14POS
2205073-1	14	70	CA MICRO-MATCH MDW-PB 14POS
2205072-3	12	200	CA MICRO-MATCH MDW-PB 12POS
2205072-2	12	150	CA MICRO-MATCH MDW-PB 12POS
2205072-1	12	70	CA MICRO-MATCH MDW-PB 12POS
2205071-3	10	200	CA MICRO-MATCH MDW-PB 10POS
2205071-2	10	150	CA MICRO-MATCH MDW-PB 10POS
2205071-1	10	70	CA MICRO-MATCH MDW-PB 10POS
2205070-3	8	200	CA MICRO-MATCH MDW-PB 8POS
2205070-2	8	150	CA MICRO-MATCH MDW-PB 8POS
2205070-1	8	70	CA MICRO-MATCH MDW-PB 8POS
2205069-3	6	200	CA MICRO-MATCH MDW-PB 6POS
2205069-2	6	150	CA MICRO-MATCH MDW-PB 6POS
2205069-1	6	70	CA MICRO-MATCH MDW-PB 6POS
2205068-3	4	200	CA MICRO-MATCH MDW-PB 4POS
2205068-2	4	150	CA MICRO-MATCH MDW-PB 4POS
2205068-1	4	70	CA MICRO-MATCH MDW-PB 4POS

THIS DRAWING IS A CONTROLLED DOCUMENT.

DIMENSIONS:	TOLERANCES UNLESS OTHERWISE SPECIFIED:
M/M	0 PLC ±
	1 PLC ±
	2 PLC ±
	3 PLC ±
	4 PLC ±
	ANGLES ±
	FINISH ±

DWN K. RAGHAVENDRA 13DEC2013	 TE Connectivity	NAME CABLE ASSY MICRO-MATCH MDW-PB			
CHK B. VELDHOFEN 23DEC2013		-			
APVD G. DOREMALLEN VAN 23DEC2013		SIZE A2	CAGE CODE -	DRAWING NO C-2205068	RESTRICTED TO -
PRODUCT SPEC -		Customer Drawing			
APPLICATION SPEC -	SCALE 5:1	SHEET 1	OF 1	REV B	

X-ON Electronics

Largest Supplier of Electrical and Electronic Components

Click to view similar products for [Ribbon Cables / IDC Cables](#) category:

Click to view products by [TE Connectivity](#) manufacturer:

Other Similar products are found below :

[FSK-12A](#) [AWG28-10G](#) [EHJ3C](#) [EHJ4C](#) [cab-LVDV-PWR-10-15](#) [FSP-25A](#) [3365/15 \(100FT\)](#) [cab-LVDV-DAT-34-15](#) [49635-C62-S2](#) [1-3636-600-5204](#) [92315-1408](#) [426171120-3](#) [3625/08 \(100M\)](#) [0044704](#) [2-1589735-3](#) [JSM015PP2DCC23N](#) [92301-0283](#) [ACL-eSSI-2](#) [92301-0718](#) [MMSDT-06-20-S-05.5-D-K-LDX](#) [IDD-04-G](#) [NM-2J2-051-PS1-JJAB](#) [1700/14SF \(100FT\)](#) [1700/26SF \(100FT\)](#) [1700/34SF \(100FT\)](#) [3801/09 \(100FT\)](#) [DS1057-06A282R-30.5](#) [DS1057-12A282R-30.5](#) [DS1057-14A282R-76.5](#) [DS1057-20A282R-76.5](#) [DS1057-24A282R-76.5](#) [DS1057-26A282R-76.5](#) [DS1057-30A282R-76.5](#) [DS1057-34A282R-76.5](#) [DS1057-40A282R-76.5](#) [DS1057-60A282R-76.5](#) [DS1057-64A282R-76.5](#) [DS1058-08M28-30.5](#) [DS1058-30M28-30.5](#) [3750/10 \(100FT\)](#) [0015712](#) [0015905](#) [S30109](#) [11203](#) [11223](#) [11243](#) [11262](#) [0037147](#) [0022512](#) [0022412](#)