

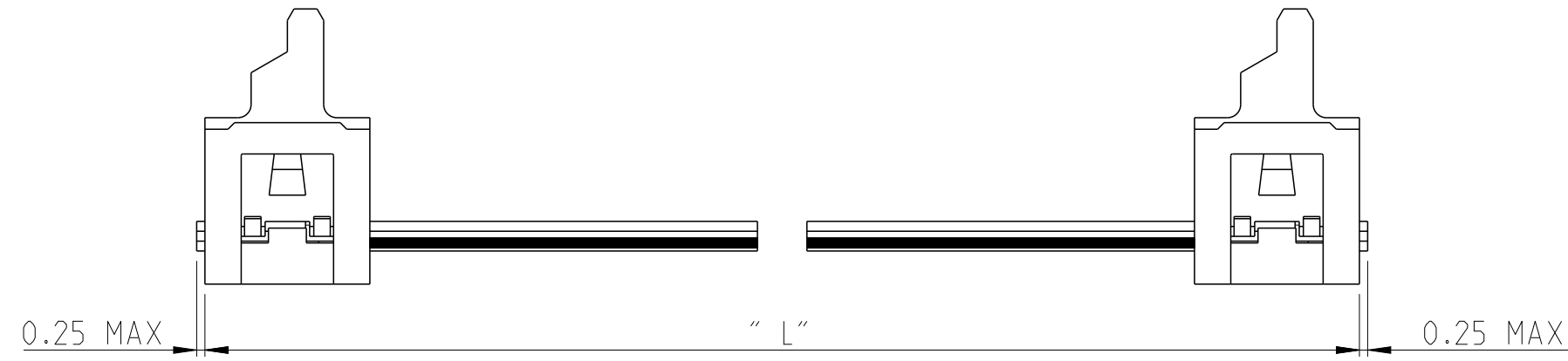
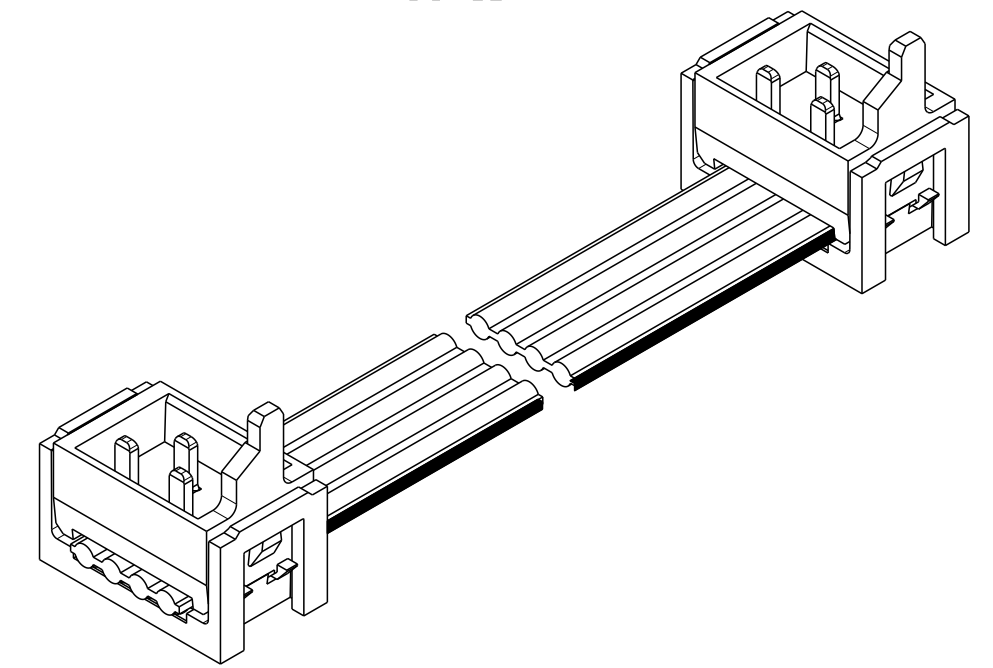
THIS DRAWING IS UNPUBLISHED. RELEASED FOR PUBLICATION 20
 © COPYRIGHT 20 BY - ALL RIGHTS RESERVED.

| REVISIONS | | | | | |
|-----------|-----|-----------------|-----------|-----|------|
| P | LTR | DESCRIPTION | DATE | DWN | APVD |
| | A | INITIAL RELEASE | 14OCT2014 | RK | BvH |
| | | | | | |
| | | | | | |

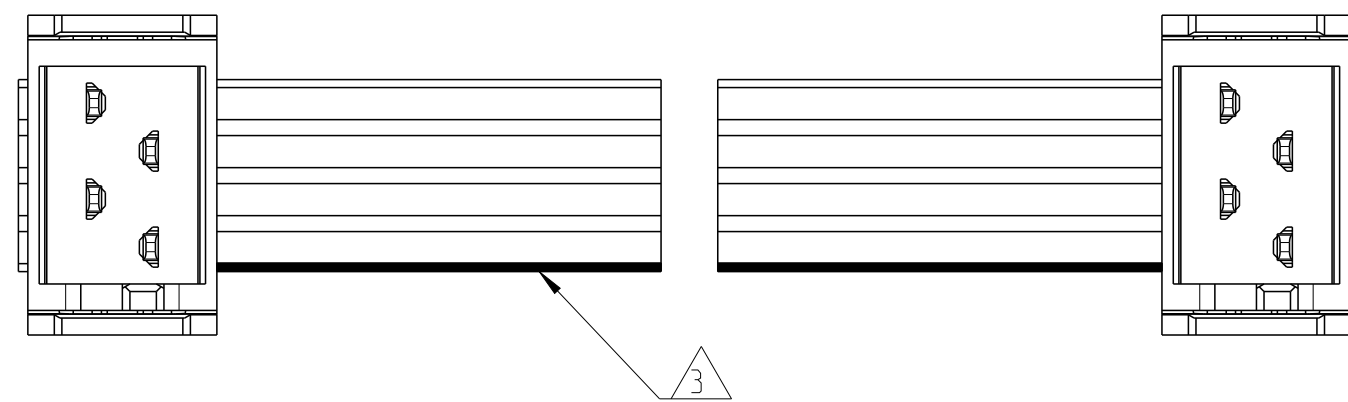
NOTES:

- 1 ASSEMBLIES TO BE TESTED FOR 100% CONTINUITY
- 2 ASSEMBLIES ARE PACKAGED ACCORDING PACKAGING SPEC 107-19582
- 3 RED MARKED CORRESPONDS TO PIN 1
- 4 FOR MOW TO PB SEE 2205068
- 5 HOUSING COLOR BLACK

SCALE : 4:1



SIDE A



SIDE B

2205103-X (4 POSITION CABLE ASSEMBLY) AS SHOWN

| TE PN | POS | LENGTH | DESCRIPTION |
|-----------|-----|--------|------------------------------|
| 2205111-3 | 20 | 200 | CA MICRO-MATCH MOW-MOW 20POS |
| 2205111-2 | 20 | 150 | CA MICRO-MATCH MOW-MOW 20POS |
| 2205111-1 | 20 | 75 | CA MICRO-MATCH MOW-MOW 20POS |
| 2205110-3 | 18 | 200 | CA MICRO-MATCH MOW-MOW 18POS |
| 2205110-2 | 18 | 150 | CA MICRO-MATCH MOW-MOW 18POS |
| 2205110-1 | 18 | 75 | CA MICRO-MATCH MOW-MOW 18POS |
| 2205109-3 | 16 | 200 | CA MICRO-MATCH MOW-MOW 16POS |
| 2205109-2 | 16 | 150 | CA MICRO-MATCH MOW-MOW 16POS |
| 2205109-1 | 16 | 75 | CA MICRO-MATCH MOW-MOW 16POS |
| 2205108-3 | 14 | 200 | CA MICRO-MATCH MOW-MOW 14POS |
| 2205108-2 | 14 | 150 | CA MICRO-MATCH MOW-MOW 14POS |
| 2205108-1 | 14 | 75 | CA MICRO-MATCH MOW-MOW 14POS |
| 2205107-3 | 12 | 200 | CA MICRO-MATCH MOW-MOW 12POS |
| 2205107-2 | 12 | 150 | CA MICRO-MATCH MOW-MOW 12POS |
| 2205107-1 | 12 | 75 | CA MICRO-MATCH MOW-MOW 12POS |
| 2205106-3 | 10 | 200 | CA MICRO-MATCH MOW-MOW 10POS |
| 2205106-2 | 10 | 150 | CA MICRO-MATCH MOW-MOW 10POS |
| 2205106-1 | 10 | 75 | CA MICRO-MATCH MOW-MOW 10POS |
| 2205105-3 | 8 | 200 | CA MICRO-MATCH MOW-MOW 8POS |
| 2205105-2 | 8 | 150 | CA MICRO-MATCH MOW-MOW 8POS |
| 2205105-1 | 8 | 75 | CA MICRO-MATCH MOW-MOW 8POS |
| 2205104-3 | 6 | 200 | CA MICRO-MATCH MOW-MOW 6POS |
| 2205104-2 | 6 | 150 | CA MICRO-MATCH MOW-MOW 6POS |
| 2205104-1 | 6 | 75 | CA MICRO-MATCH MOW-MOW 6POS |
| 2205103-3 | 4 | 200 | CA MICRO-MATCH MOW-MOW 4POS |
| 2205103-2 | 4 | 150 | CA MICRO-MATCH MOW-MOW 4POS |
| 2205103-1 | 4 | 75 | CA MICRO-MATCH MOW-MOW 4POS |

THIS DRAWING IS A CONTROLLED DOCUMENT.

DWN: 14OCT2014 RAVINDRA K
 CHK: 14OCT2014 B. VELDHOVEN
 APVD: 14OCT2014 G. DOREMALEN VAN

STE TE Connectivity

NAME: CABLE ASSY MICRO-MATCH MOW-MOW VALUE-LINE

PRODUCT SPEC: -
 APPLICATION SPEC: -
 WEIGHT: -

SIZE: A2 CAGE CODE: - DRAWING NO: C-2205103 RESTRICTED TO: -
 SCALE: 5:1 SHEET: 1 OF 1 REV: A

Customer Drawing

X-ON Electronics

Largest Supplier of Electrical and Electronic Components

Click to view similar products for [Ribbon Cables / IDC Cables](#) category:

Click to view products by [TE Connectivity](#) manufacturer:

Other Similar products are found below :

[FSK-12A](#) [AWG28-10G](#) [EHJ3C](#) [EHJ4C](#) [cab-LVDV-PWR-10-15](#) [FSP-25A](#) [3365/15 \(100FT\)](#) [cab-LVDV-DAT-34-15](#) [49635-C62-S2](#) [1-3636-600-5204](#) [92315-1408](#) [426171120-3](#) [3625/08 \(100M\)](#) [0044704](#) [2-1589735-3](#) [JSM015PP2DCC23N](#) [92301-0283](#) [ACL-eSSI-2](#) [92301-0718](#) [MMSDT-06-20-S-05.5-D-K-LDX](#) [IDD-04-G](#) [NM-2J2-051-PS1-JJAB](#) [1700/14SF \(100FT\)](#) [1700/26SF \(100FT\)](#) [1700/34SF \(100FT\)](#) [3801/09 \(100FT\)](#) [119-885](#) [DS1057-09A282R-30.5](#) [DS1057-12A282R-30.5](#) [DS1057-14A282R-76.5](#) [DS1057-20A282R-76.5](#) [DS1057-30A282R-76.5](#) [DS1057-34A282R-76.5](#) [DS1057-40A282R-76.5](#) [DS1057-60A282R-76.5](#) [DS1057-64A282R-76.5](#) [DS1058-08M28-30.5](#) [DS1058-30M28-30.5](#) [3750/10 \(100FT\)](#) [0015712](#) [0015905](#) [S30109](#) [11203](#) [11223](#) [11243](#) [11262](#) [0037147](#) [0022512](#) [0022412](#) [0022416](#)