

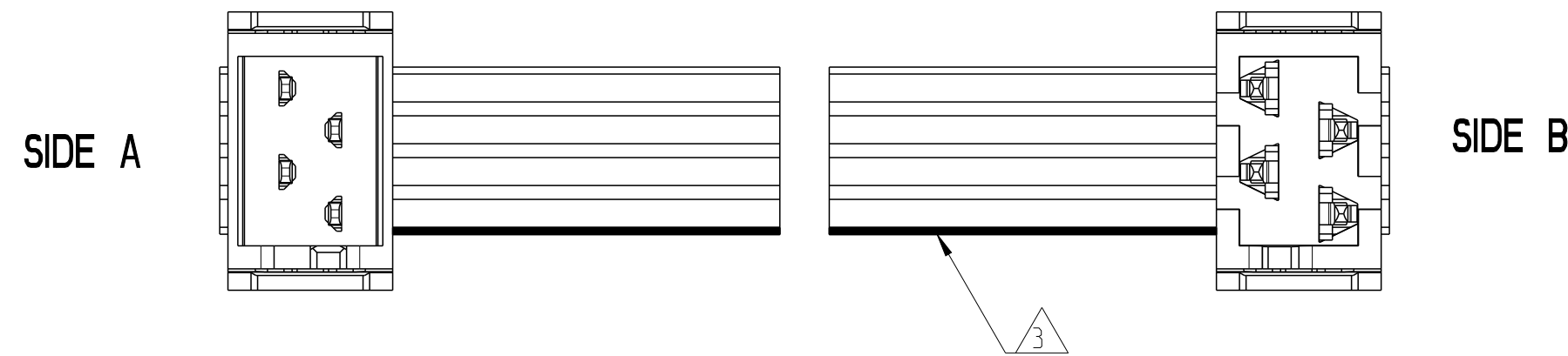
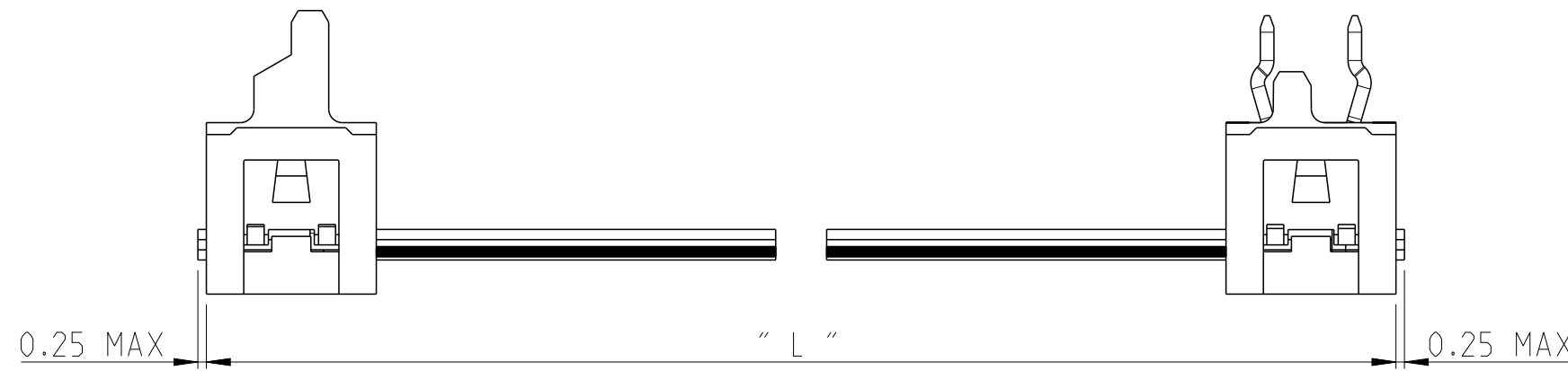
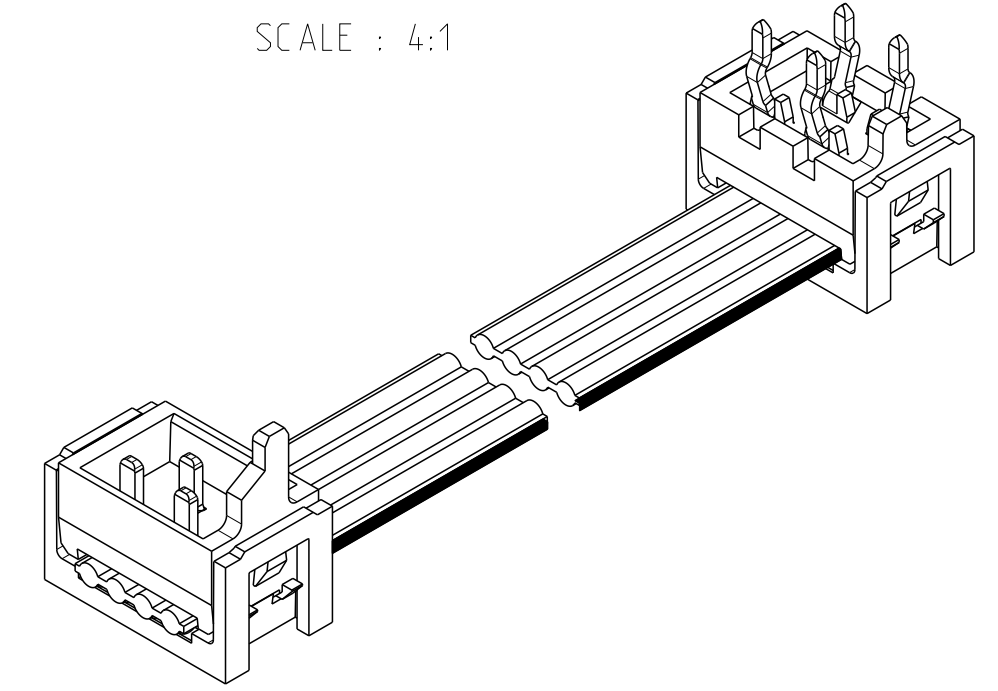
THIS DRAWING IS UNPUBLISHED. RELEASED FOR PUBLICATION 20
 © COPYRIGHT 20 BY - ALL RIGHTS RESERVED.

REVISIONS				
P	LTR	DESCRIPTION	DATE	APVD
	A	INITIAL RELEASE	14OCT2014	RK BvH

NOTES:

- 1 ASSEMBLIES TO BE TESTED FOR 100% CONTINUITY
- 2 ASSEMBLIES ARE PACKAGED ACCORDING PACKAGING SPEC 107-19582
- 3 RED MARKED CORRESPONDS TO PIN 1
- 4 FOR MOW TO MOW SEE 2205060
- 5 HOUSING COLOR BLACK

SCALE : 4:1



2205112-X (4 POSITION CABLE ASSEMBLY) AS SHOWN

TE PN	POS	LENGTH	DESCRIPTION
2205120-3	20	200	CA MICRO-MATCH MOW -PB 20POS
2205120-2	20	150	CA MICRO-MATCH MOW -PB 20POS
2205120-1	20	75	CA MICRO-MATCH MOW -PB 20POS
2205119-3	18	200	CA MICRO-MATCH MOW -PB 18POS
2205119-2	18	150	CA MICRO-MATCH MOW -PB 18POS
2205119-1	18	75	CA MICRO-MATCH MOW -PB 18POS
2205118-3	16	200	CA MICRO-MATCH MOW -PB 16POS
2205118-2	16	150	CA MICRO-MATCH MOW -PB 16POS
2205118-1	16	75	CA MICRO-MATCH MOW -PB 16POS
2205117-3	14	200	CA MICRO-MATCH MOW -PB 14POS
2205117-2	14	150	CA MICRO-MATCH MOW -PB 14POS
2205117-1	14	75	CA MICRO-MATCH MOW -PB 14POS
2205116-3	12	200	CA MICRO-MATCH MOW -PB 12POS
2205116-2	12	150	CA MICRO-MATCH MOW -PB 12POS
2205116-1	12	75	CA MICRO-MATCH MOW -PB 12POS
2205115-3	10	200	CA MICRO-MATCH MOW -PB 10POS
2205115-2	10	150	CA MICRO-MATCH MOW -PB 10POS
2205115-1	10	75	CA MICRO-MATCH MOW -PB 10POS
2205114-3	8	200	CA MICRO-MATCH MOW -PB 8POS
2205114-2	8	150	CA MICRO-MATCH MOW -PB 8POS
2205114-1	8	75	CA MICRO-MATCH MOW -PB 8POS
2205113-3	6	200	CA MICRO-MATCH MOW -PB 6POS
2205113-2	6	150	CA MICRO-MATCH MOW -PB 6POS
2205113-1	6	75	CA MICRO-MATCH MOW -PB 6POS
2205112-3	4	200	CA MICRO-MATCH MOW -PB 4POS
2205112-2	4	150	CA MICRO-MATCH MOW -PB 4POS
2205112-1	4	75	CA MICRO-MATCH MOW -PB 4POS

THIS DRAWING IS A CONTROLLED DOCUMENT.

DWN RAVINDRA K 14OCT2014
 CHK B. VELDHOVEN 14OCT2014
 APVD G. DOREMALEN VAN 14OCT2014

STE TE Connectivity

NAME: CABLE ASSY MICRO-MATCH MOW -PB VALUE-LINE

PRODUCT SPEC: -
 APPLICATION SPEC: -
 MATERIAL: -
 WEIGHT: -

SIZE: A2 CAGE CODE: - DRAWING NO: C-2205112 RESTRICTED TO: -
 SCALE: 5:1 SHEET 1 OF 1 REV A

Customer Drawing

X-ON Electronics

Largest Supplier of Electrical and Electronic Components

Click to view similar products for [Ribbon Cables / IDC Cables](#) category:

Click to view products by [TE Connectivity](#) manufacturer:

Other Similar products are found below :

[FSK-12A Ribbon Cable, 6 Pin, 500mm](#) [EHJ3C](#) [EHJ4C](#) [EHJ5C](#) [cab-LVDV-PWR-10-15](#) [FSP-25A Ribbon Cable, 4 Pin, 350mm](#) [Ribbon Cable, 4 Pin, 700mm](#) [Ribbon Cable, 6 Pin, 300mm](#) [49635-C62-S2](#) [1-3636-600-5204](#) [92315-1408](#) [100063-0094](#) [100063-0106](#) [100063-0102](#) [100063-0104](#) [MMSD-02-20C-F-15.00-S-K](#) [100063-0099](#) [100063-0105](#) [100063-0095](#) [100063-0103](#) [100063-0093](#) [100063-0091](#) [2200000068](#) [100063-0092](#) [100063-0101](#) [100063-0100](#) [100063-0097](#) [TFSDT-08-28-H-15.00-S](#) [S1SD-02-30-GF-09.00-L](#) [MMSD-02-22C-F-15.00-S-K](#) [S1SS-02-28C-GF-02.00-L](#) [S1SDT-02-28-GF-03.00-L](#) [2-1589735-3](#) [JSM015PP2DCC23N](#) [92301-0283](#) [TCSD-22-D-26.00-01](#) [S1SST-07-30-GF-06.00-L](#) [T2SD-20-24-L-07.87-TR-NUS](#) [DS1057-01-44A282R-30.5](#) [FFSD-06-S-17.00-01-N](#) [IDSS-03-D-20.00-T](#) [TCMD-17-S-36.00-01-SR](#) [92301-0718](#) [839023](#) [490107670612S](#) [MMSDT-06-20-S-05.5-D-K-LDX](#) [IDD-04-G](#) [IDD-25-G](#)