

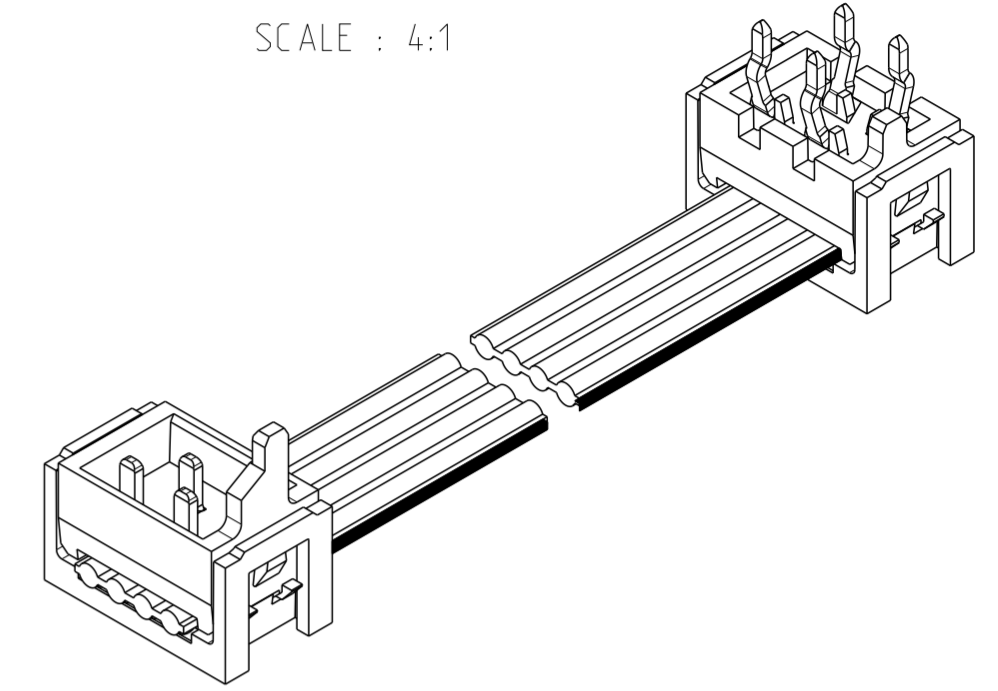
THIS DRAWING IS UNPUBLISHED. RELEASED FOR PUBLICATION 20
 © COPYRIGHT 20 BY - ALL RIGHTS RESERVED.

| REVISIONS | | | | |
|-----------|-----|-----------------|-----------|--------|
| P | LTR | DESCRIPTION | DATE | APVD |
| | A | INITIAL RELEASE | 14OCT2014 | RK BvH |
| | | | | |
| | | | | |

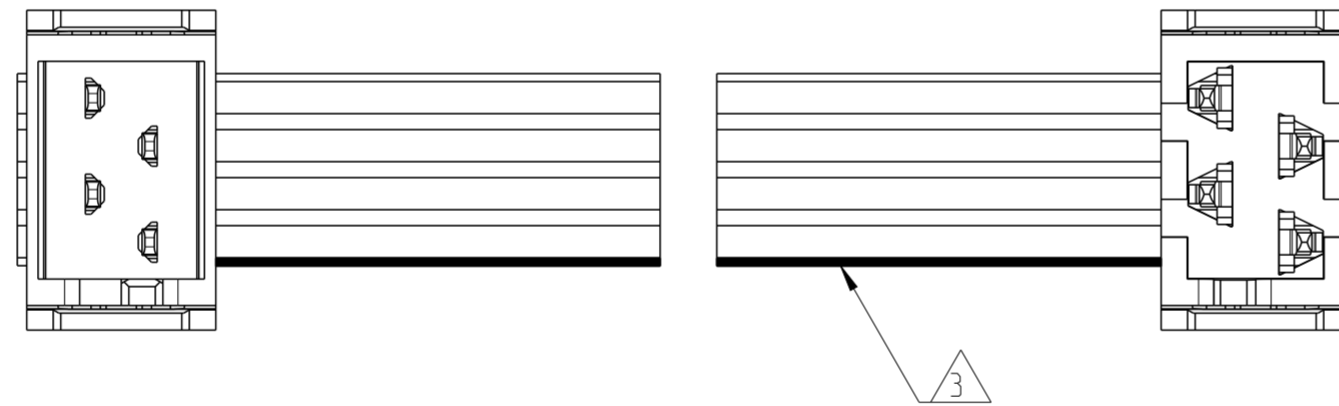
NOTES:

- 1 ASSEMBLIES TO BE TESTED FOR 100% CONTINUITY
- 2 ASSEMBLIES ARE PACKAGED ACCORDING PACKAGING SPEC 107-19582
- 3 RED MARKED CORRESPONDS TO PIN 1
- 4 FOR MOW TO MOW SEE 2205060
- 5 HOUSING COLOR BLACK

SCALE : 4:1



SIDE A



SIDE B

2205112-X (4 POSITION CABLE ASSEMBLY) AS SHOWN

| TE PN | POS | LENGTH | DESCRIPTION |
|-----------|-----|--------|------------------------------|
| 2205120-3 | 20 | 200 | CA MICRO-MATCH MOW -PB 20POS |
| 2205120-2 | 20 | 150 | CA MICRO-MATCH MOW -PB 20POS |
| 2205120-1 | 20 | 75 | CA MICRO-MATCH MOW -PB 20POS |
| 2205119-3 | 18 | 200 | CA MICRO-MATCH MOW -PB 18POS |
| 2205119-2 | 18 | 150 | CA MICRO-MATCH MOW -PB 18POS |
| 2205119-1 | 18 | 75 | CA MICRO-MATCH MOW -PB 18POS |
| 2205118-3 | 16 | 200 | CA MICRO-MATCH MOW -PB 16POS |
| 2205118-2 | 16 | 150 | CA MICRO-MATCH MOW -PB 16POS |
| 2205118-1 | 16 | 75 | CA MICRO-MATCH MOW -PB 16POS |
| 2205117-3 | 14 | 200 | CA MICRO-MATCH MOW -PB 14POS |
| 2205117-2 | 14 | 150 | CA MICRO-MATCH MOW -PB 14POS |
| 2205117-1 | 14 | 75 | CA MICRO-MATCH MOW -PB 14POS |
| 2205116-3 | 12 | 200 | CA MICRO-MATCH MOW -PB 12POS |
| 2205116-2 | 12 | 150 | CA MICRO-MATCH MOW -PB 12POS |
| 2205116-1 | 12 | 75 | CA MICRO-MATCH MOW -PB 12POS |
| 2205115-3 | 10 | 200 | CA MICRO-MATCH MOW -PB 10POS |
| 2205115-2 | 10 | 150 | CA MICRO-MATCH MOW -PB 10POS |
| 2205115-1 | 10 | 75 | CA MICRO-MATCH MOW -PB 10POS |
| 2205114-3 | 8 | 200 | CA MICRO-MATCH MOW -PB 8POS |
| 2205114-2 | 8 | 150 | CA MICRO-MATCH MOW -PB 8POS |
| 2205114-1 | 8 | 75 | CA MICRO-MATCH MOW -PB 8POS |
| 2205113-3 | 6 | 200 | CA MICRO-MATCH MOW -PB 6POS |
| 2205113-2 | 6 | 150 | CA MICRO-MATCH MOW -PB 6POS |
| 2205113-1 | 6 | 75 | CA MICRO-MATCH MOW -PB 6POS |
| 2205112-3 | 4 | 200 | CA MICRO-MATCH MOW -PB 4POS |
| 2205112-2 | 4 | 150 | CA MICRO-MATCH MOW -PB 4POS |
| 2205112-1 | 4 | 75 | CA MICRO-MATCH MOW -PB 4POS |

THIS DRAWING IS A CONTROLLED DOCUMENT.

DWN RAVINDRA K 14OCT2014
 CHK B. VELDHOVEN 14OCT2014
 APVD G. DOREMALEN VAN 14OCT2014

STE TE Connectivity

NAME: CABLE ASSY MICRO-MATCH MOW -PB VALUE-LINE

PRODUCT SPEC: -
 APPLICATION SPEC: -
 WEIGHT: -

SIZE: A2 CAGE CODE: - DRAWING NO: C-2205112 RESTRICTED TO: -
 SCALE: 5:1 SHEET 1 OF 1 REV A

Customer Drawing

X-ON Electronics

Largest Supplier of Electrical and Electronic Components

Click to view similar products for [Ribbon Cables / IDC Cables](#) category:

Click to view products by [TE Connectivity](#) manufacturer:

Other Similar products are found below :

[FSK-12A Ribbon Cable, 6 Pin, 500mm](#) [EHJ3C](#) [EHJ4C](#) [EHJ5C](#) [cab-LVDV-PWR-10-15](#) [FSP-25A Ribbon Cable, 4 Pin, 350mm](#) [Ribbon Cable, 4 Pin, 700mm](#) [Ribbon Cable, 6 Pin, 300mm](#) [49635-C62-S2](#) [1-3636-600-5204](#) [92315-1408](#) [100063-0094](#) [100063-0106](#) [100063-0102](#) [100063-0104](#) [MMSD-02-20C-F-15.00-S-K](#) [100063-0099](#) [100063-0105](#) [100063-0095](#) [100063-0103](#) [100063-0093](#) [100063-0091](#) [2200000068](#) [100063-0092](#) [100063-0101](#) [100063-0100](#) [100063-0097](#) [TFSDT-08-28-H-15.00-S](#) [S1SD-02-30-GF-09.00-L](#) [MMSD-02-22C-F-15.00-S-K](#) [S1SS-02-28C-GF-02.00-L](#) [S1SDT-02-28-GF-03.00-L](#) [2-1589735-3](#) [JSM015PP2DCC23N](#) [92301-0283](#) [TCSD-22-D-26.00-01](#) [S1SST-07-30-GF-06.00-L](#) [T2SD-20-24-L-07.87-TR-NUS](#) [FFSD-06-S-17.00-01-N](#) [IDSS-03-D-20.00-T](#) [TCMD-17-S-36.00-01-SR](#) [92301-0718](#) [839023](#) [490107670612S](#) [MMSDT-06-20-S-05.5-D-K-LDX](#) [IDD-04-G](#) [IDD-25-G](#) [HDR-124289-01-6QDPS](#)